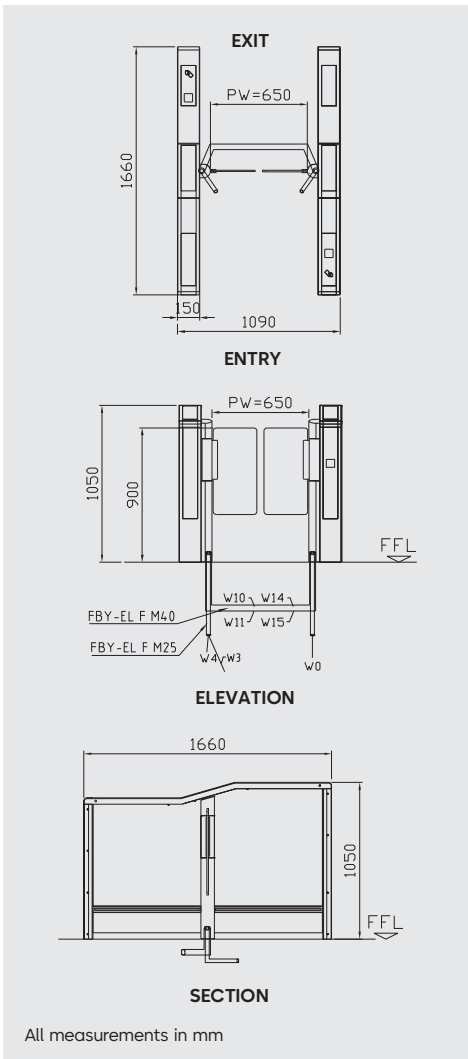
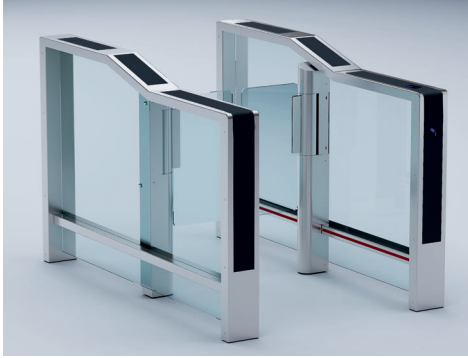


Sensor Barrier Argus HSB E07 Z1

Elite Design



Standard units	HSB E07 Z1
Interlock height	1050mm
Interlock length	1660mm
Passage width	650mm (Normal Lane), 900mm (Wider Lane)
Total width	1090mm (Normal Lane), 1340mm (Wider Lane)
Total Weight	320 kgs.
Housing, base columns, guiding elements	AISI 304, 150mm width of the base column with 10mm toughened safety glass panel and AISI 304 stainless steel hand-rail with acrylic sheet and powder coated in the center.
Barrier elements	Two door leaves made of transparent polycarbonate, upper edge 900mm Swinging area monitored by separation sensors.
Safety + Security Sensor	Bottom Sensor (Integrated IR Sensor) - 10 Pair (20 nos.) Detection of children and luggage or rolling cases.
Door Wings Height	900
Finish	Stainless steel satin finish.
Safety	Low energy drive with energy content less than 1.69 joules.
Function	Type 2–power assisted motion; two servo-positioning drives/ electrically controlled in both directions.
Drives	Integrated in the swing tube.
Operating modes	Optical. Normally closed. Normally opened. (Barriers close on tailgate event)
Electrical equipment	Control system and power supply integrated in the unit.
Power supply	100 - 240 VAC, 50/60 Hz
Standby power consumption	17 VA
Throughput	30 person/min
MCBF (mean cycles between failures)	10 Million Cycles
Temperature Range	+5°C to +40°C
Standard adjustment in case of power failure	Door leaves move freely.
Installation	Dowelled on finished floor level, FFL.
Protection classes	IP 43
Duty Cycle	100%
Certificate	CE, CII Green Product Control drive unit MTTF is 127 years (Limit of Energy), 138 years (Position Monitoring).

Any questions? We will be happy to assist you.

dormakaba India Private Limited

Plot No. 48/3 | Mahindra World City | 8th Avenue | Anjur Village | Chengalpattu District | Tamil Nadu 603002 | INDIA
enquiry.india@dormakaba.com | www.dormakaba.com/in-en