

TS 89F

Door closer



TS 89F: The ideal solution for fire and smoke rated doors



The dormakaba TS 89F has been specially designed as a universally applicable closer for fire and smoke rated doors. Its particularly sleek and compact body means that there are virtually no fixing problems, and it offers all the dependability of quality assured manufacture. Certified to ISO 9001.

Data and features TS 89F

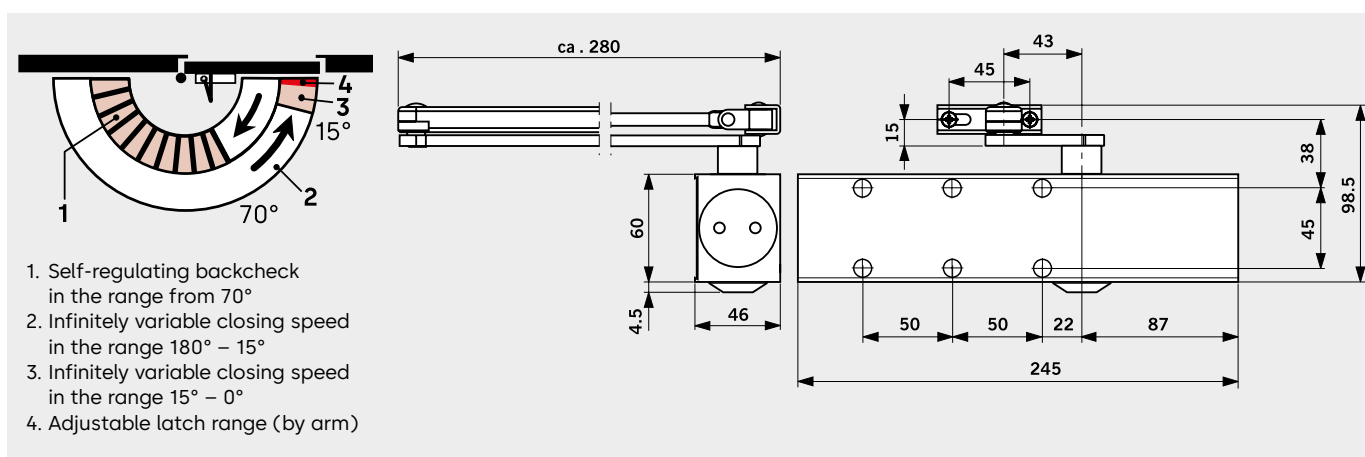
Spring strength adjustable	Size	EN 3 – 6
Fire and smoke rated doors	≤ 1,400 mm	●
Non handed unit		●
Arm type	Standard	●
Spring strength variable by adjustment screw		●
Closing speed adjustable at 2 separate valves	180°–15°	●
	15°– 0°	●
Latching action variable at arm		●
Backcheck	>70°	●
Delayed action		–
Weight in kg approx.		1.7
Dimensions in mm	Length (L)	245
	Depth (W)	46
	Height (H)	60
Door closer tested to EN 1154		●
CE-mark for construction products		●

● yes – no

Plus points TS 89F

- Compact construction, timeless design.
- Fast and simple to install. Backcheck, spring strength, closing speed and latching action easily altered.
- Non-handed
- Reliable, safe and constant closing action with adjustable latching action.
- High mechanical efficiency for easy door operation.
- High durability for highly frequented and heavy doors.

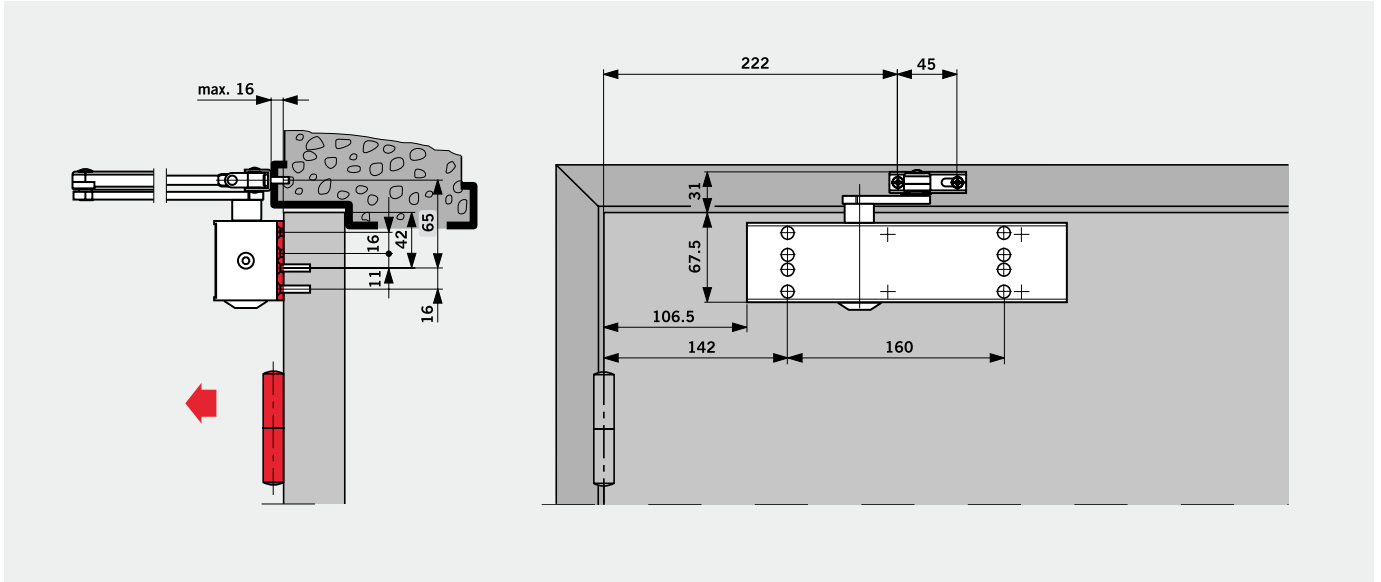
Functions



1. Self-regulating backcheck in the range from 70°
2. Infinitely variable closing speed in the range 180° – 15°
3. Infinitely variable closing speed in the range 15° – 0°
4. Adjustable latch range (by arm)

Door leaf fixing with mounting backplate, pull side

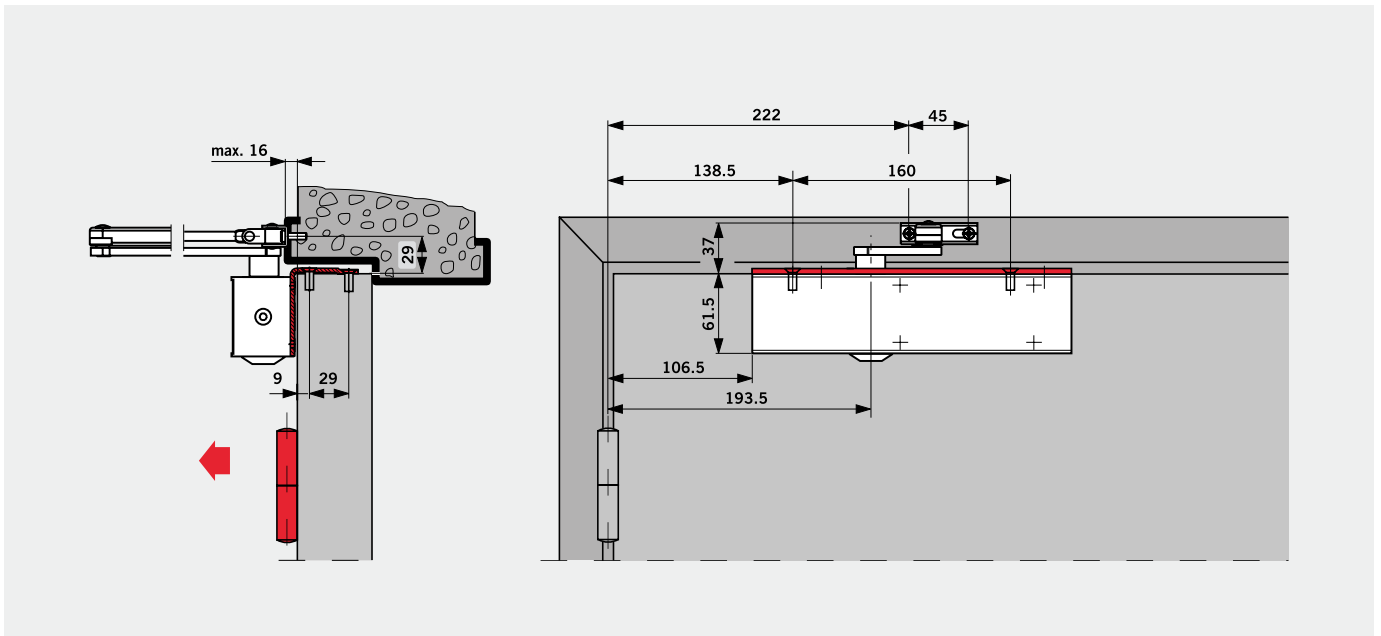
(All examples refer to left-hand/ISO 6 doors; mirrored arrangements apply to right-hand/ISO 5 doors)



Leaf fixing with angle bracket, pull side

Only suitable for flush-closing fire doors

(All examples refer to left-hand/ISO 6 doors; mirrored arrangements apply to right-hand/ISO 5 doors)



Specification text

dormakaba TS 89F rack and pinion door closer for fire and smoke rated doors, with adjustable power size EN 3 – 6, according to EN 1154, carries the CE mark, closing speed adjustable in two independent ranges and adjustable latch action (by arm). Non-handed.

Configuration

with mounting backplate
with angle bracket

Colour

silver, P600 (similar RAL 9006)

Our Sustainability Commitment

We are committed to foster a sustainable development along our entire value chain in line with our economic, environmental and social responsibilities toward current and future generations. Sustainability at product level is an important, future-oriented approach in the field of construction. In order to give quantified disclosures of a product's environmental impact through its entire life cycle, dormakaba provides Environmental Product Declarations (EPD), based on holistic life cycle assessments.

www.dormakaba.com/sustainability



Our offering

Access Automation Solutions

Entrance Automation
Entrance Security



Access Control Solutions

Electronic Access & Data
Escape and Rescue Systems
Lodging Systems



Access Hardware Solutions

Door Closers
Architectural Hardware
Mechanical Key Systems



Services

Technical Support
Installation and commissioning
Maintenance and Repair



WN 5629051532, EN, 04/2026
Subject to technical modifications.



dormakaba.com

dormakaba
International Holding AG
Hofwissenstrasse 24
CH-8153 Rümlang
T +41 44 818 90 11
info@dormakaba.com
dormakaba.com