

High Security Padlock Thorlock



Description:

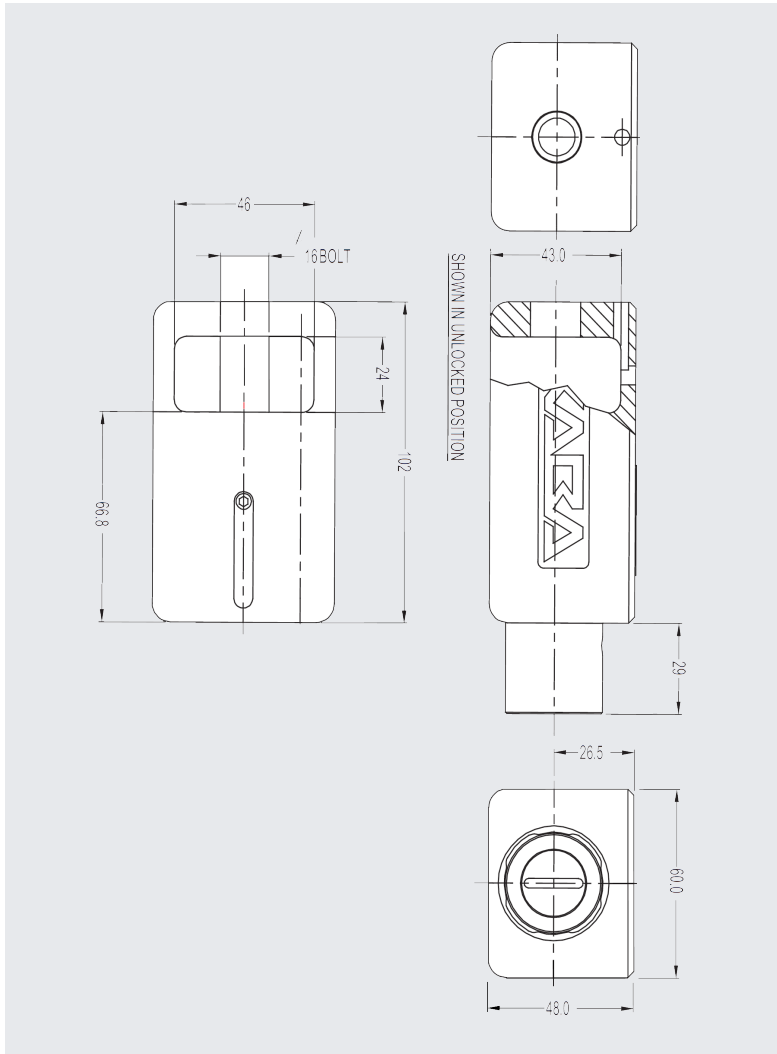
High security solution designed to deter the most determined of unauthorised attack.

Suitable for use on remote sites within the utility and infrastructure sectors. dormakabas Thorlock protects vulnerable padlock shackles,

inspection hatches and covers, vehicle doors and containers.

Features:

- 48mm solid stainless-steel body.
- 16mm stainless steel locking bolt (Kaba 20 Only*)
- Cylinder is protected by a spinning guard.
- Key retained when unlocked, ensures device is not left open.
- LPCB approved (LPS1175 SR4) when used with approved security products Only.
- EN 12320 Grade 4 (CEN 4)



Padlock Information

Available Patented Systems:

- Kaba 20 (K37)
- quattro plus (K85)*
- expert plus (K83)*

Available Legacy Systems:

- Kaba 20 (P1)
- quattro Plus (K58)*
- expert (K56)*

*Please note that for expert & quattro systems, the locking bolt for the Thorlock = 14mm. 16mm relates to Kaba 20 models only. The drawing pictured refers to a Kaba 20 version. All other dimensions are the same.

The Thorlock was originally designed to work with bespoke hatch covers. If specified for other applications, care needs to be taken to ensure it is fully compatible.

LPCB testing only applies in conjunction with tested service hatches.

PDS-017-04

Any questions? We would be happy to advise you.

Contact us on: **01884 256464**