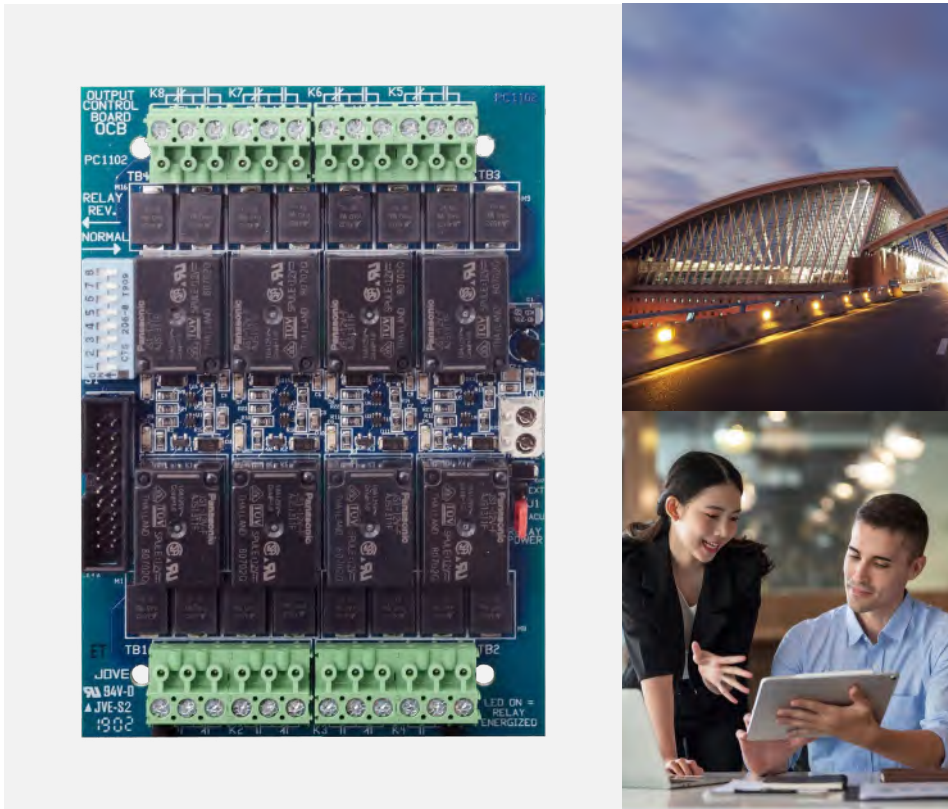


Keyscan OCB8 Relay control board

Reliable output expansion for advanced access control



Features

- Provides auxiliary service expansion such as additional doors or elevator floor stops
- DIP switch plug on board with independent reverse pole switches for relay control
- Functions with new KC series and legacy CA & EC series controllers
- Add auxiliary outputs to access controllers to trigger response such as sirens, alarms, strobe lights or further restrict access
- Time programmable (via software)

The Keyscan OCB8 Relay Control Board expands output capabilities for Keyscan access control systems.

Designed as a Form-C dry contact relay output board, the OCB8 delivers dependable control for doors, elevator floor controllers, and a wide range of auxiliary equipment—making it an essential component for advanced system designs.

Purpose-built to integrate seamlessly with Keyscan elevator floor and door controllers, the OCB8 provides auxiliary service expansion for applications such as additional controlled doors or elevator floor stops. It also enables secondary response

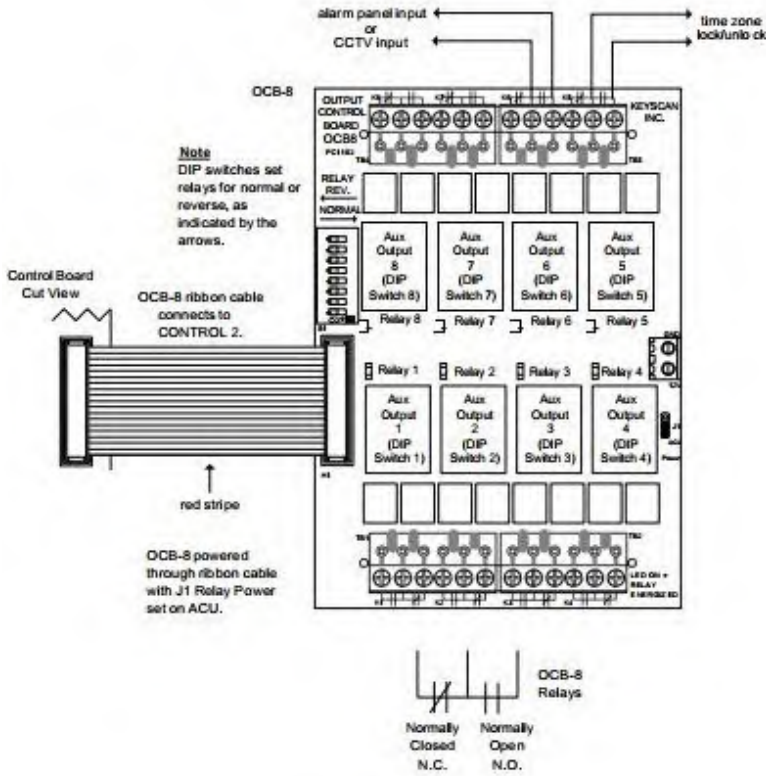
actions that enhance security posture, including triggering sirens, alarms, strobe lights, or dynamically increasing access restriction parameters based on system events.

The OCB8 features eight Form-C relay outputs, offering flexible dry contact closures that support both normally open and normally closed applications.

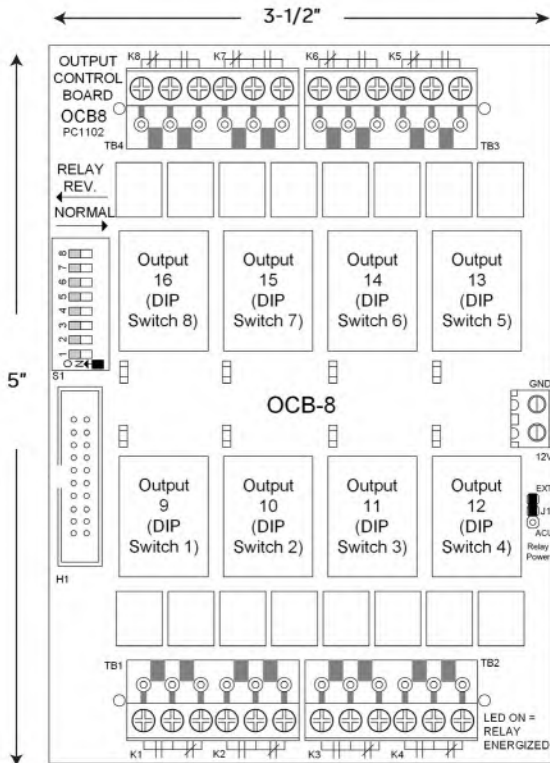
These outputs can be time-programmed through Keyscan Aurora software, allowing operators to precisely control when relays activate or deactivate based on schedules, events, or security conditions.

From elevator control and auxiliary door management to alarm signaling and emergency response activation, the Keyscan OCB8 extends access control beyond the door—providing dependable relay control, flexible programming, and trusted integration in a compact expansion board.

Application



Dimensions



© dormakaba 2026 Information on this sheet is intended for general use only. dormakaba reserves the right to alter designs and specifications without notice or obligation. All trademarks are the property of their respective owners.

Any questions? We would be happy to assist.
 Contact us at: 1 888 539 7226