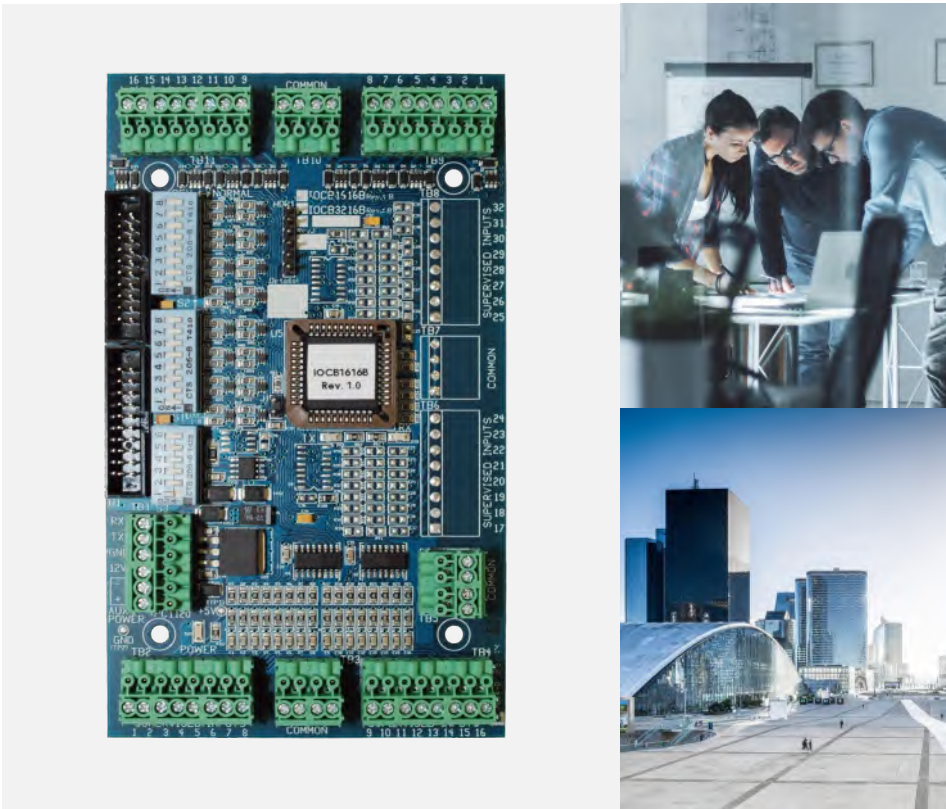


Keyscan IOCB1616 Input and Output Control Board

Expand control. Extend capability.
Simplify integration.



Features

- IOCB1616 module has 16 inputs and 16 outputs
- Connect up to 4 IOCB1616 modules per access control unit for a total of 64 assignable inputs and 64 assignable outputs
- Input/output assignments are programmed via Keyscan Aurora software
- Permits "and" & "or" logic statements
- Selectable input settings – non supervised or digital, single end of line supervision, or double end of line supervision
- Add up to 2 optional OCB8 relay boards for form "C" contact outputs
- IOCB1616 includes (1) standard Keyscan enclosure, (1) IOCB1616 circuit board, and (1) DPS-15 power supply
- Enclosure can accommodate up to two IOCB1616 circuit boards with up to 4 optional OCB-8 relay boards
- Compatible with KC Series and CA4500 or CA8500 controllers only
- IOCB1616B – board only available

The Keyscan IOCB1616 Input and Output Control Board is the expansion solution for Keyscan access control systems with a need for more flexibility, monitoring, and automation without complexity.

Designed for high security applications, the IOCB1616 adds 16 supervised inputs and 16 digital outputs, enabling operators to connect and control a wide range of additional devices from within the Keyscan environment.

Inputs can be used to monitor exit-only or readerless doors, glass break sensors, motion detectors, push buttons, and other sensing devices—bringing more data and situational awareness into a single system.

On the output side, the IOCB1616 allows operators to activate and automate connected devices such as IP cameras, burglar alarms, lighting, HVAC systems, parking gates, and more.

Inputs and outputs can be assigned individually or in groups, with support for seven flexible operating modes, including timers, delays, and pulsing. Optional Form "C" relays further expand integration possibilities for custom applications.

Installation and configuration are streamlined with new DIP switch banks and a smaller board footprint, making deployment faster and cleaner. Multiple IOCB1616 boards—up to four—can be

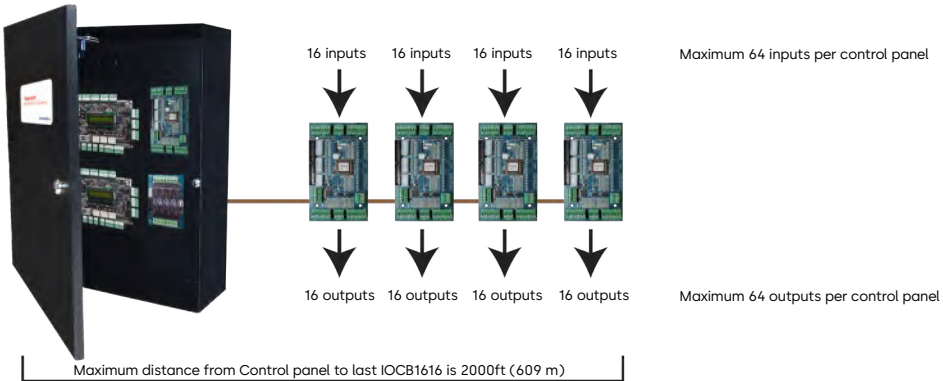
chained together for use with the Keyscan KC Series controllers as well as legacy CA4500 and CA8500, providing scalable expansion as system requirements grow.

IOCB1616 is available board only or it can ship with an enclosure to support multiple configurations.

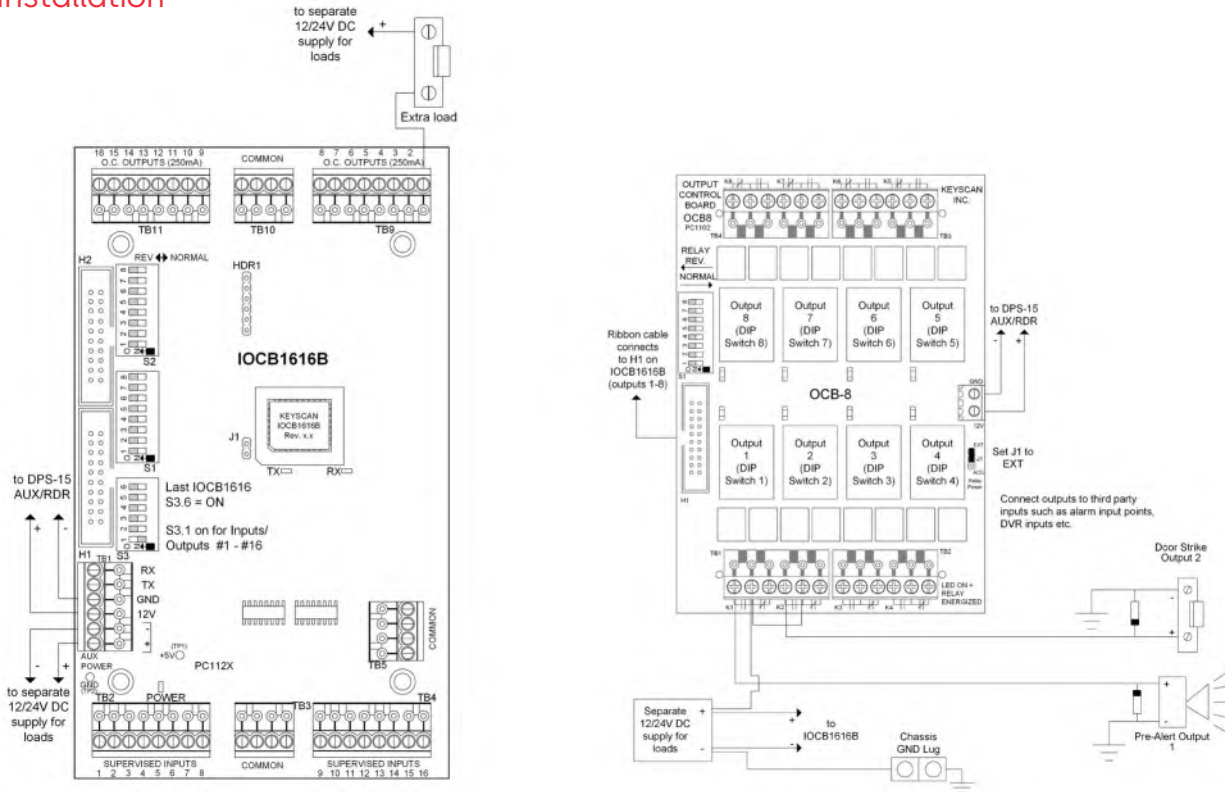
The Keyscan IOCB1616 turns your access control system into a fully integrated control platform—powerful, scalable, and built for real-world security demands.

Technical specifications

Power	IOCB1616 - 12 VDC, 100 mA board only, 300 mA lock power limit DPS12 (AUX) - 12VDC Output, 1.2A
Cable maximums	Maximum distance from ACU to last IOCB1616 is 2000 feet, 2-wire twisted pair
Dimensions	Enclosure - 20 1/4" H x 16 3/8" W x 5 5/8" D (51.4 x 41.6 x14.3 cm) IOCB1616 – 10 5/8" x 3 9/16" (26.9 x 9.1cm)
Environment	Suitable for commercial and industrial applications Relative humidity: 0% to 90% R.H., non-condensing Operating temperatures: -20 to 71 C (-4 to 160 F) Storage temperatures: -20 to 85 C (-4 to 185 F)



Installation



© dormakaba 2026 Information on this sheet is intended for general use only. dormakaba reserves the right to alter designs and specifications without notice or obligation. All trademarks are the property of their respective owners.

Any questions? We would be happy to assist.
Contact us at: 1 888 539 7226