

BTS 80 System V/VF/EMB/FLB/BSR Floor Spring





Concealed floor springs are an unobtrusive and robust solution in the building. The BTS 80 System door closers are characterised by solid and proven technology. Every requirement will find a suitable solution: Heavy doors up to a door weight of 300 kg and a door width of 1,400 mm with integrated hold-open function or barrier-free swing function.

BTS 80 System for 1-leaf and 2-leaf single-action and double-action doors	4
Features and functions	5
BTS 80 System concealed floor-spring	6
BSR door coordinator for 2-leaf doors	8
BTS 80 BSR configuration examples	9
Application and installation, accessories	10
Scope of delivery and article overview	11
Tender specifications texts	12



BTS 80 System for 1-leaf and 2-leaf single-action and double-action doors

The BTS 80 System floor springs satisfy all requirements in terms of both comfort and safety in a visually unobtrusive way and are suited for doors weighing up to 300 kg.

The floor spring technology is recessed practically invisibly in the floor. The BTS 80 floor-concealed door closer system with its product variants BTS 80 V (with closing force adjustment), BTS 80 VF (for fire and smoke check doors with closing force adjustment), BTS 80 EMB (with electro-hydraulic hold-open function), BTS 80 FLB (with free-swing function) and the wide range of accessories allows easy adaptation to different door designs and functions.

In combination with the BSR door applications, 2-leaf door solutions are also easy to implement.

Benefits instead of Efficiency

- Lean product range including compatible, standardised BTS accessories covers almost to all requirements
- The BTS 80 V and BTS 80 VF variants offer infinitely variable adjustability of closing force rating EN 3 to 6
- Quick and safe installation thanks to integrated level indicator for precise levelling of the floor-concealed door closer (BTS 80 V and BTS 80 VF)
- Easy adaptation to suit site conditions, also retrospectively, thanks to interchangeable spindle inserts

Simplicity for the planner

- Concealed closing of even very heavy doors weighing up to 300 kg
- Demand-driven functions in proven, robust design and quality
- Type-tested, quality-inspected and approved by the MPA Dortmund & the DiBt Berlin

Safety for the operator/user

- Consistent closing speed immune to temperature fluctuations
- Comparatively easy door access due to maximum mechanical efficiency and adjustable power
- Long service life ensured by reliable quality in material and manufacturing



BTS 80 V / BTS 80 VF

Model variants	BTS 80 V	BTS 80 VF	BTS 80 EMB	BTS 80 FLB	
Closing force/door width	≤ 1100 mm		EN 4	EN 4	01 Level indicator for precise alignment of the closing unit 02 Adjusting valves 03 Adjusting the closing force (EN 3 to 6)
	≤ 1250 mm		EN 5	EN 5	
	≤ 1400 mm		EN 6	EN 6	
	950 - 1400 mm	EN 3-6	EN 3-6		
LH DIN-L (opening angle max. 180°)	● ¹⁾	●	●	●	
RH DIN-R (opening angle max. 180°)	● ¹⁾	●	●	●	
Double-action door (opening angle max. 175°)	●	●	●	–	
Maximum door leaf weight ²⁾	300 kg	300 kg	300 kg	300 kg	
Features and functions					
Fire and smoke check doors	–	●	●	●	
Closing force infinitely adjustable by setting screw	●	●	–	–	
Closing speed infinitely adjustable by valve	●	●	●	●	
Delayed closing	●	–	–	–	
Latching action infinitely adjustable by valve (7°– 0°)	–	●	●	–	
Backcheck, mechanical	●	●	●	–	
Hold-open function (adjustable)	●	–	–	–	
Hold-open function, electro-hydraulic, Hold-open point infinitely adjustable 75° to 170° ³⁾	–	–	●	–	
Fail-safe 0°–180°	–	–	–	●	
Tests and certifications					
Classification tested to EN 1154	●	●	●	●	
Controlled closing on alarm signal to EN 1155	–	–	●	●	
CE-Identification for construction products	–	●	●	●	
Technical data					
Dimensions incl. cement box		341 / 78 / 60 mm			
Weight	7.5 kg	7.5 kg	7.7 kg	7.7 kg	
Power input	–	–	2.3 W	2.3 W	
Operating voltage (± 15 %)	–	–	24 V DC	24 V DC	
On-load factor	–	–	100 %	100 %	

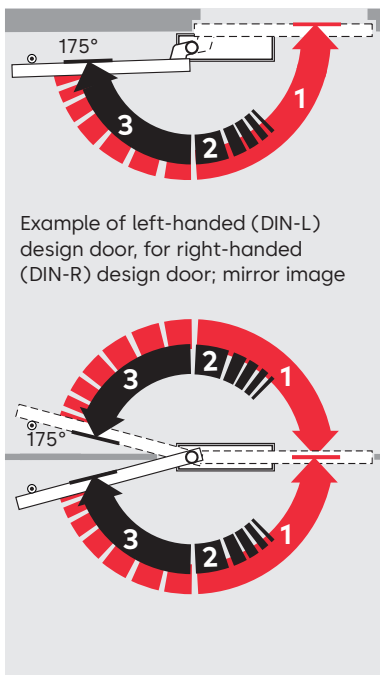
● yes – no

¹⁾ Max. opening angle 175°

²⁾ Observe load-bearing capacity of the accessories and door situation

³⁾ Door opening angle of 180° possible. Use holding magnet for hold-open angle of 180°.

BTS 80 System concealed floor-spring



Example of left-handed (DIN-L) design door, for right-handed (DIN-R) design door; mirror image

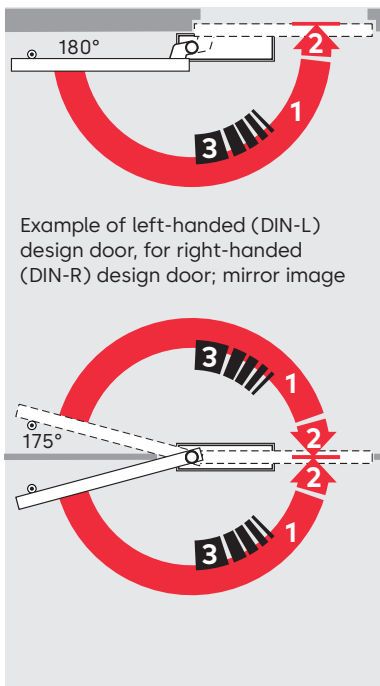
BTS 80 V with backcheck, delayed closing and door hold-open function

The concealed floor-spring closes the door automatically and its backcheck protects both wall and door from damage should the door be thrown open violently.

The delayed closing extends the door closing time by initially reducing the closing speed.

- 1 Automatic closing and infinitely adjustable closing speed
- 2 Mechanical backcheck
- 3 Hold-open point selectable up to 170° (fallback approx. 3°), start of hold open/ end of delayed action range adjustable between 75° and 105°

The BTS 80 V is not allowed to be used on fire or smoke check doors



Example of left-handed (DIN-L) design door, for right-handed (DIN-R) design door; mirror image

BTS 80 VF with backcheck and latching action

The concealed floor-spring closes the door automatically and its backcheck protects both wall and door from damage should the door be thrown open violently.

The latching action controls the closing speed from an angle of approx. 7° until the door is completely closed in order to overcome possible resistance and to ensure the door is fully closed.

- 1 Automatic closing and infinitely adjustable closing speed
- 2 Adjustable latching action
- 3 Mechanical backcheck

Can be used on fire protection barriers

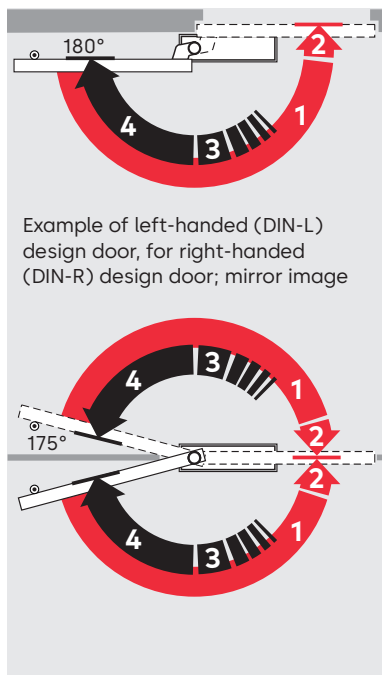
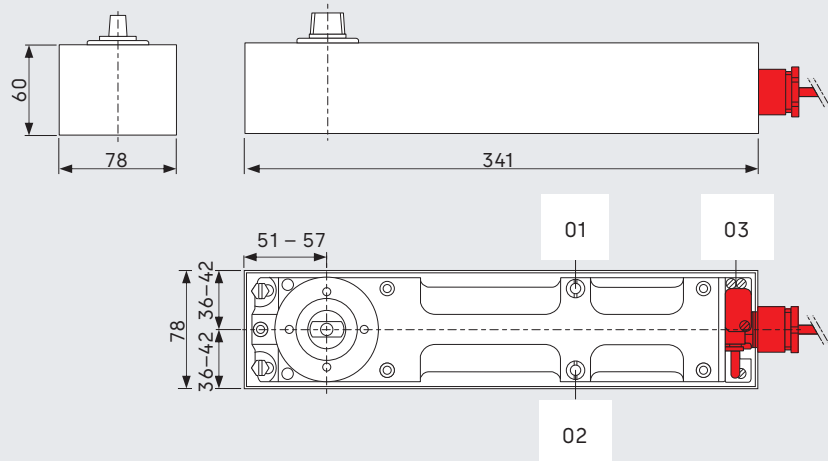
The BTS 80 VF may be used on fire and smoke check doors. The doors must be specifically designed for connection to the floor spring (pivot point offset of 36 mm). An additional certificate of suitability is also required for the specific fire or smoke check doors.

For use on officially approved fire protection barriers the provisions of the respective approval certificates must be observed.

F Certificate of suitability

The BTS 80 VF is tested and quality-monitored by the Material Testing Institute (MPA) in Dortmund in accordance with DIN EN 1154.

- 01 Valve for adjusting the closing speed
- 02 Valve for adjusting the latching action (not BTS 80 FLB)
- 03 Plug connector with cable for EMB and FLB power supply



Example of left-handed (DIN-L) design door, for right-handed (DIN-R) design door; mirror image

BTS 80 EMB with backcheck and electro-hydraulic hold-open function

In addition to the integrated backcheck, the concealed floor-spring is also equipped with an electro-hydraulic hold-open function that can be activated or deactivated as needed or in the event of an alarm. The door closes automatically upon receipt of an electrical signal from the fire alarm system.

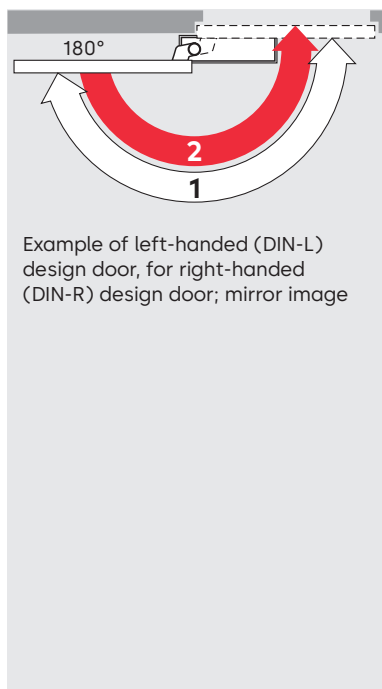
- 1 Automatic closing at infinitely adjustable closing speed
- 2 Adjustable latching action
- 3 Mechanical backcheck
- 4 Hold-open point selectable up to 170° (fallback approx. 3°). Hold-open point infinitely adjustable 75° to 170°

Can be used on fire protection barriers

The BTS 80 EMB may be used on fire and smoke check doors. The doors must be specifically designed for connection to the floor spring (pivot point offset of 36 mm). An additional certificate of suitability is also required for the specific fire or smoke check door. For use on officially approved fire protection barriers the provisions of the respective approval certificates must be observed.

F Certificate of suitability

The BTS 80 EMB has been approved by the Deutsches Institut für Bautechnik (DIBt), Berlin for use with all common smoke detection systems; acceptance test mandatory.



Example of left-handed (DIN-L) design door, for right-handed (DIN-R) design door; mirror image

BTS 80 FLB with barrier-free free-swing function

The free-swing function (electro-hydraulic spring detent) of the concealed floor-spring allows opening the door with little effort (DIN 18040). The door closes automatically upon receipt of an electrical signal from the fire alarm system.

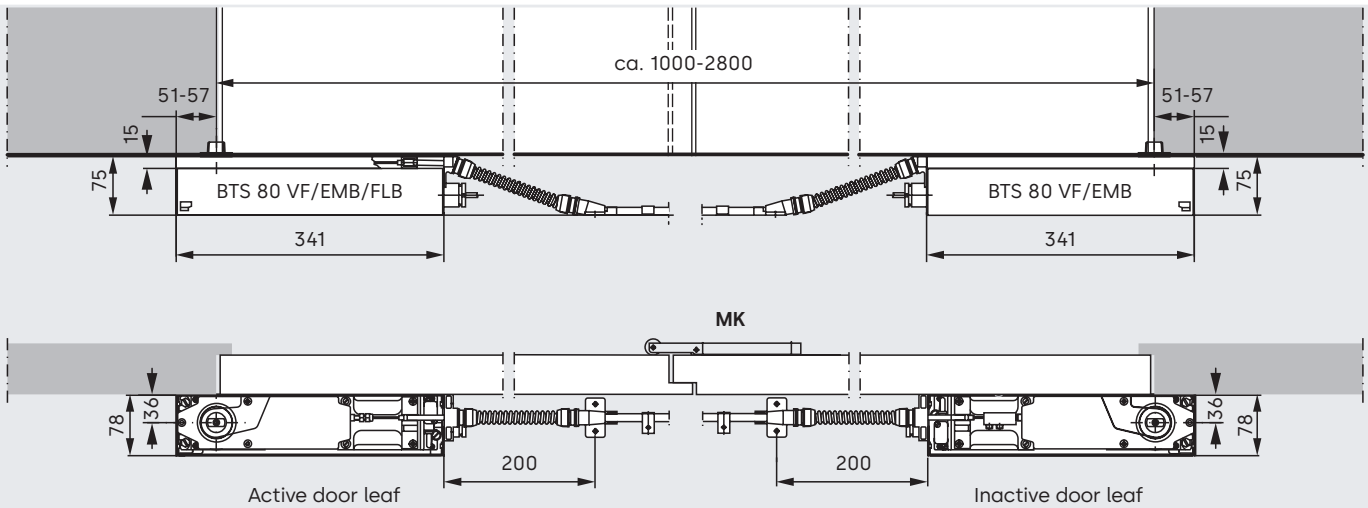
- 1 Free-swing range: The door responds like a manual door, without resistance.
- 2 Automatic closing in the event of an alarm or an interruption in the power supply

Can be used on fire protection barriers

The BTS 80 FLB may be used on fire and smoke check doors. The doors must be specifically designed for connection to the floor spring (pivot point offset of 36 mm). An additional certificate of suitability is also required for the specific fire or smoke check doors. For use on officially approved fire protection barriers the provisions of the respective approval certificates must be observed.

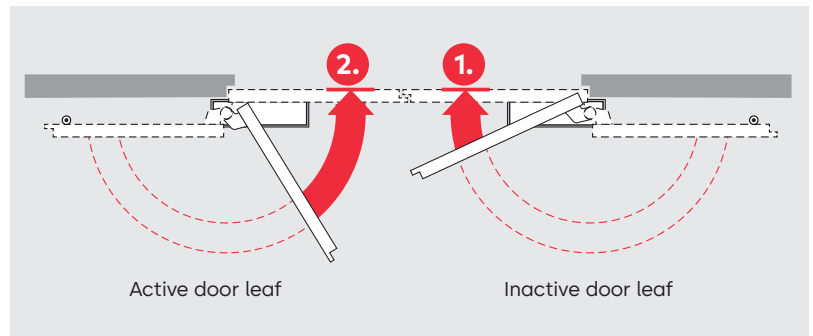
F Certificate of suitability

The BTS 80 FLB has been approved by the Deutsches Institut für Bautechnik (DIBt), Berlin for use with all common smoke detection systems; acceptance test mandatory.



BSR door coordinator for 2-leaf doors

- Can be combined with floor-concealed door closer systems BTS 80 VF, BTS 80 EMB, BTS 80 FLB
- Resilient solution for the building sector




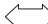


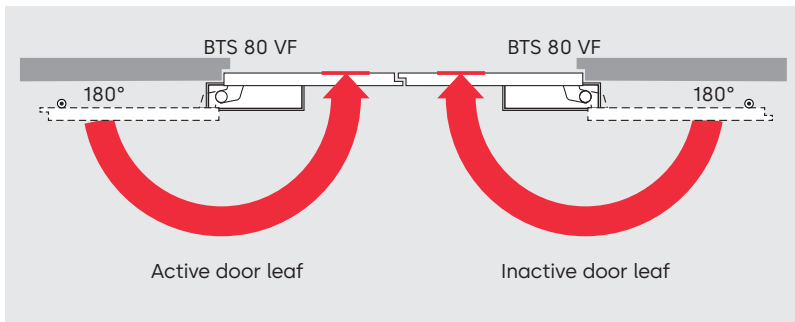
The BSR door coordinator ensures that the active leaf on 2-leaf doors always closes after the inactive leaf. The BSR door coordinator operates independently of the door closer hydraulics and consists of one mechanism each for the active and inactive leaf, which are connected via a bowden cable. The BSR door coordinator can be used on LH and RH doors and is combined with concealed floor spring models BTS 80 VF/EMB/FLB. On doors with full panic exit devices, the inactive leaf must be equipped with a MK carry bar.

F Certificate of suitability

The BSR door coordinator has been tested by Afnor Certification for use on 2-leaf doors. Evidence of suitability for the respective fire and smoke check door model required.

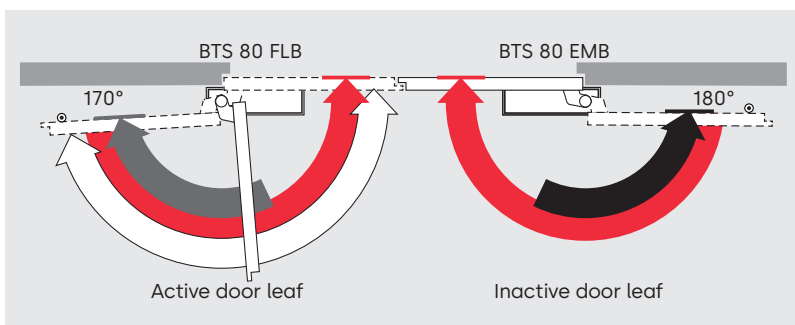
BTS 80 BSR configuration examples

-  Automatic closing
-  Door hold-open function parallel with inactive leaf
-  Door hold-open function
-  Free-swing function



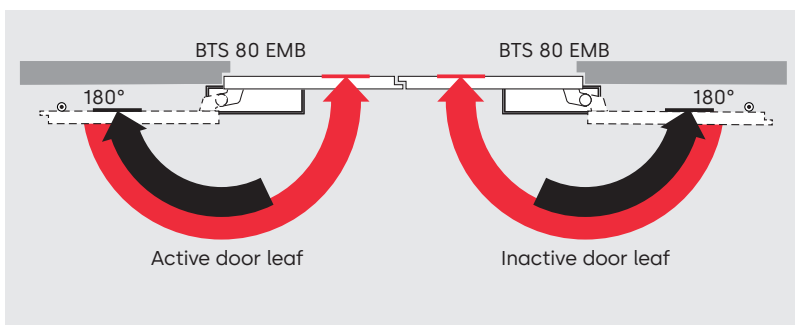
BSR VF

- Automatic closing of doors
- The BTS 80 VF floor-concealed door closer closes the doors automatically. The BSR door coordinator ensures the correct order during closing: inactive leaf before active leaf.



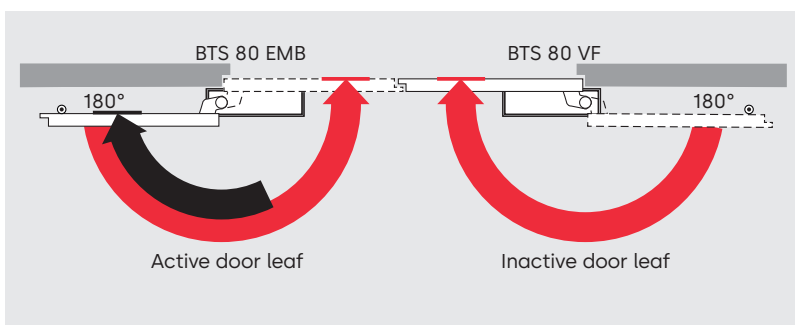
BSR EMB 1

- Hold-open action for both doors
 - Controlled closing in the event of alarm/power failure
 - Free-swinging active leaf with inactive leaf closed
- This door coordinator enables both door leaves to be locked with just one locking device for the passive door leaf. The passive door leaf can be set to a hold-open point of between approx. 75° and 170°³⁾ (fallback approx. 3°). The active door leaf is fixed at any angle up to approx. 170° via the door coordinator.



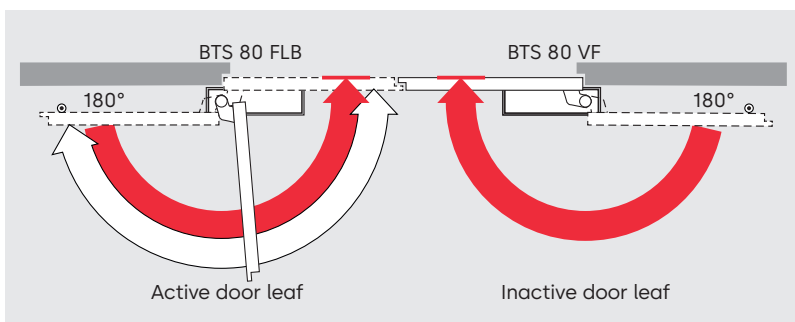
BSR EMB 2

- Hold-open action for both doors
 - Active leaf can be held open individually
 - Controlled closing in the event of alarm/power failure
- With this door coordinator, the active door leaf can be locked independently of the passive door leaf. The hold-open points for both door leaves are between approx. 75° and 170°³⁾ (fallback approx. 3°).



BSR EMB 1 G / VF 1 S

- Hold-open action for active leaf only with inactive leaf closed
 - Controlled closing of active leaf in the event of alarm/power failure
- Using this door coordinator, the active door leaf can be locked independently in special door constructions, e.g. fixed side leaf, narrow passive door leaf with asymmetrical doors, etc. The hold-open point is between approx. 75° and 170°³⁾ (fallback approx. 3°)

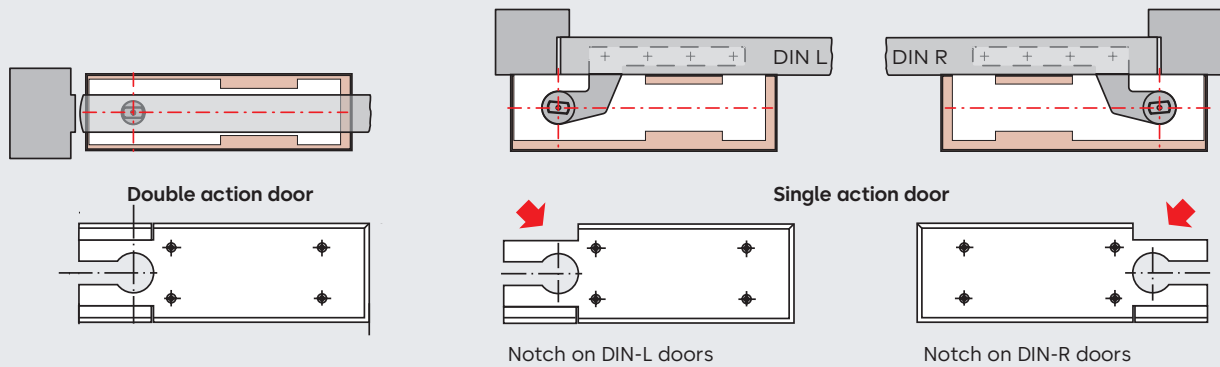


BSR FLB 1 G / VF 1 S

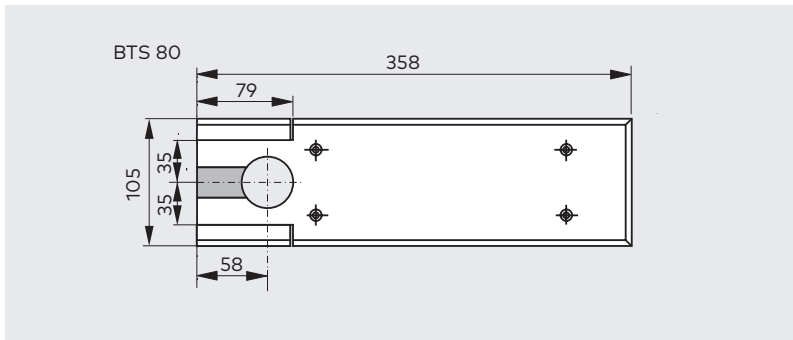
- Free-swinging active leaf with inactive leaf closed
 - Controlled closing of active leaf in the event of alarm/power failure
- This door coordinator with fail-safe on the active door leaf can also be used where doors need to remain freely movable but must close safely in the event of a fire.

³⁾ Door opening angle of 180° possible.
Use holding magnets for hold-open angle of 180°.

Application and installation

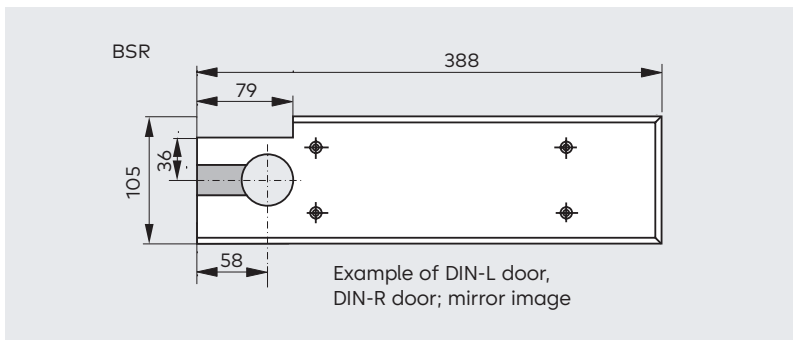


Accessories



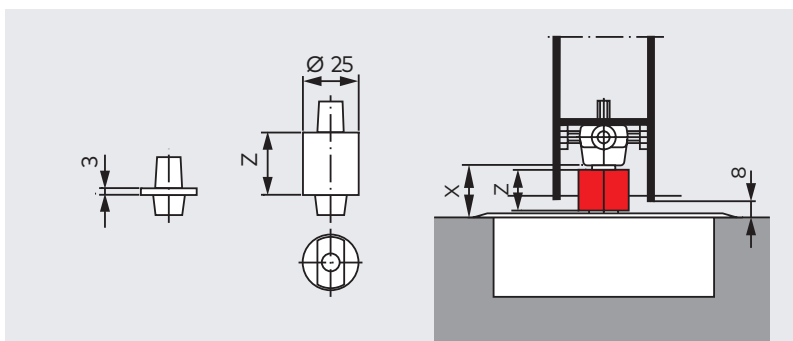
Universal cover plate

The universal cover plate can be used on both left-handed (DIN-L) and right-handed (DIN-R) design doors by simply ejecting the prepunched corner parts. In the case of double action doors, it is mounted as delivered. The cover plate is optionally available in stainless steel or satin brass (material thickness 1.5 mm).



BSR cover plate

The cover plates for the BSR application are available for DIN-L and DIN-R doors. The cover plates are optionally available in stainless steel or satin brass (material thickness 1.5 mm).



Calculation of the required axle extension:

Extension = X – floor clearance
(normally 8 mm)

Collar height Z of the extended spindles =
axle extension + 3 mm
(collar height of the normal spindle)

For additional accessories such as door levers and pivot hinges see technical brochure „Accessories for floor springs“ dormakaba BTS.

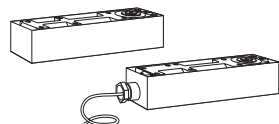
Sealing compound 2300 Top

For filling the cavities between the closer housing and the cement box to prevent the ingress of moisture (required for damp rooms etc. according to VOB).

Scope of delivery and article overview


Floor spring BTS

Includes cement box without spindle

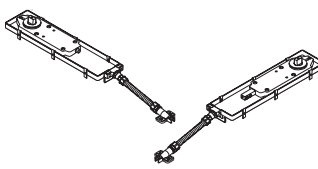
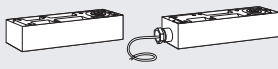

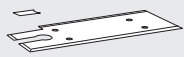


Spindles



			normal	Extension in mm											Sealing compound 2300 Top 			
				45200401	45200402	45200403	45200404	45200419	45200405	45200406	45200407	45200414	45200408	45200409		45200410	45200411	45200412
BTS 80 V																		
EN 3-6	DIN-L ¹⁾ DIN-R ¹⁾ Pendulum ¹⁾	8018000x 8018000x 8018000x	(Δ)	Δ	Δ	Δ	Δ	Δ	Δ	Δ	Δ	Δ	Δ	Δ	Δ	Δ	Δ	Δ
BTS 80 VF																		
EN 3-6	DIN-L DIN-R Pendulum ¹⁾	8028010x 8028020x 8028000x	(Δ)	Δ	Δ	Δ	Δ	Δ	Δ	Δ	Δ	Δ	Δ	Δ	Δ	Δ	Δ	Δ
x = 1 Supplied without spindle insert x = 0 Supplied with standard spindle insert																		
BTS 80 EMB																		
EN 4	DIN-L DIN-R Pendulum ¹⁾	82224101 82224201 82224001	Δ	Δ	Δ	Δ	Δ	Δ	Δ	Δ	Δ	Δ	Δ	Δ	Δ	Δ	Δ	Δ
EN 5	DIN-L DIN-R Pendulum ¹⁾	82214101 82214201 82214001	Δ	Δ	Δ	Δ	Δ	Δ	Δ	Δ	Δ	Δ	Δ	Δ	Δ	Δ	Δ	Δ
EN 6	DIN-L DIN-R Pendulum ¹⁾	82234101 82234201 82234001	Δ	Δ	Δ	Δ	Δ	Δ	Δ	Δ	Δ	Δ	Δ	Δ	Δ	Δ	Δ	Δ
BTS 80 FLB																		
EN 4	DIN-L DIN-R	82124101 82124201	Δ	Δ	Δ	Δ	Δ	Δ	Δ	Δ	Δ	Δ	Δ	Δ	Δ	Δ	Δ	Δ
EN 5	DIN-L DIN-R	82114101 82114201	Δ	Δ	Δ	Δ	Δ	Δ	Δ	Δ	Δ	Δ	Δ	Δ	Δ	Δ	Δ	Δ
EN 6	DIN-L DIN-R	82134101 82134201	Δ	Δ	Δ	Δ	Δ	Δ	Δ	Δ	Δ	Δ	Δ	Δ	Δ	Δ	Δ	Δ
Universal cover plate																		
Stainless steel		46700000																Δ
Satin brass		46700100																

¹⁾ Not approved for fire doors in Germany

Door coordinator BSR		Floor spring			Spindles BSR			Cover plates BSR		
										
					normal	Extension in mm		DIN-L		DIN-R
Versions		45700900	BTS 80 VF	BTS 80 EMB	BTS 80 FLB	45200470	45200471	45200477	Stainless steel Satin brass	46700080 46700280
BSR VF		1 x	2 x	-	-					
BSR EMB 1		1 x	-	1 x	1 x					
BSR EMB 2		1 x	-	2 x	-	Δ	Δ	Δ	Δ	1 x DIN-L 1 x DIN-R
BSR EMB 1 G / VF 1 S		1 x	1 x	1 x	-	2 x	2 x	2 x		
BSR FLB 1 G / VF 1 S		1 x	1 x	-	1 x					

Δ Accessories

Specification texts

BTS 80 VF

Floor spring with adjustable closing force from EN 3 to 6 to EN 1154 with C€ mark, with fully hydraulically controlled closing action starting at 180°, adjustable latching action and mechanical backcheck. Load-bearing capacity up to 300 kg, with bubble level, including cement box. For left-handed (DIN-L), right-handed (DIN-R) and double action doors.

Closing force

- EN 3-6

Version

- DIN left
 DIN right
 Double action (not approved for fire doors in Germany)

Accessories

- Universal cover plate (1.5 mm thick)
 Stainless steel
 Satin brass
 Spindle
 Standard
 . . . mm extension
 Sealing compound 2300 Top

Make:

dormakaba BTS 80 VF

BTS 80 EMB

Floor spring to EN 1154 and ANSI A 156.15, with C€ mark, with electrohydraulic hold-open to EN 1155 and integrated pressure compensation for constant, adjustable, temperature-immune hold-open between door opening angles of approximately 75° and 170° (fall-back approx 3°).

With adjustable closing speed under full hydraulic control, adjustable latching action and mechanical backcheck. Including cement box. For left-handed (DIN-L), right-handed (DIN-R) and double action doors.

Operating voltage: 24 V DC

Power consumption: 2.3 W

Approved by the "Deutsches Institut für Bautechnik (DIBt)", Berlin (Germany), for use in combination with all common smoke detector and hold-open systems.

Acceptance inspection mandatory.

Closing force

- EN 4
 EN 5
 EN 6

Version

- DIN left
 DIN right
 Double action (not approved for fire doors in Germany)

Accessories

- Universal cover plate (1.5 mm thick)
 Stainless steel
 Satin brass
 Spindle
 Standard
 . . . mm extension
 Sealing compound 2300 Top

Make:

dormakaba BTS 80 EMB

BTS 80 FLB

Floor spring to EN 1154 with C€ -marking, with electrohydraulic free-swing function (to EN 1155) between door opening angle of 0° and approximately 180°, closer function (nonpowered) effective from 180°, including cement box.

Operating voltage: 24 V DC

Power consumption: 2.3 W

Approved by the "Deutsches Institut für Bautechnik (DIBt)", Berlin (Germany), for use in combination with all common smoke detector systems.

Acceptance inspection mandatory.

Closing force

- EN 4
 EN 5
 EN 6

Version

- DIN left
 DIN right

Accessories

- Universal cover plate (1.5 mm thick)
 Stainless steel
 Satin brass
 Spindle
 Standard
 . . . mm extension
 Sealing compound 2300 Top

Make:

dormakaba BTS 80 FLB



domo
kobo

Specification texts

BSR VF (VF/VF)

Floor spring with adjustable closing force from EN 3 to 6 (dual certified according to EN 1154 and ANSI Grade A156.4 with 2.0 million cycles), with $\text{C}\text{€}$ mark, load-bearing capacity up to 300 kg. Both floor springs have fully hydraulically controlled closing action starting at 180°, adjustable latching action and mechanical backcheck. Door coordination function operates to EN 1158, operating independently of the door closer hydraulics. The system comprises an active leaf and an inactive leaf mechanism interconnected by a bowden cable. Including cement box. For left-handed (DIN-L) and right-handed (DIN-R) doors.

The BSR door coordinator has been tested by Afnor Certification for use on double-leaf doors.

BSR EMB 1 (FLB/EMB)

Floor spring to EN 1154 and with $\text{C}\text{€}$ mark. Active leaf (BTS 80 FLB) with electro-hydraulic free-swing function to EN 1155 between door opening angle of 0° and 180°, closer function (nonpowered) effective from 180°.

Inactive leaf (BTS 80 EMB) with integrated electro-hydraulic hold-open to EN 1155 and integrated pressure compensation for constant, adjustable, temperature-immune hold-open between door opening angles of approx. 75° and 170° (Door opening angle of up to 180° is possible by using holding magnet). With adjustable latching action and mechanical backcheck.

Both floor springs (BTS 80 FLB and BTS 80 EMB) have the features of adjustable closing speed under full hydraulic control starting at 180°. Door coordination function conforming to EN 1158, operating independently of the door closer hydraulics. The system comprises an active leaf and an inactive leaf mechanism interconnected by a bowden cable. Including cement box. For left-handed (DIN-L) and right-handed (DIN-R) doors.

Operating voltage: 24 V DC

Power consumption: 2 x 2.3 W

The BSR door coordinator has been tested by Afnor Certification for use on double-leaf doors.

Approved by the "Deutsches Institut für Bautechnik (DIBt)", Berlin (Germany), for use in combination with all common smoke detector systems.

Acceptance inspection mandatory.

BSR EMB 2 (EMB/EMB)

Floor spring to EN 1154 and with $\text{C}\text{€}$ mark. Active and inactive leaves installed with the BTS 80 EMB, with integrated electro-hydraulic hold-open to EN 1155 and integrated pressure compensation for constant, adjustable, temperature-immune hold-open between door opening angles of approx. 75° and 170° (Door opening angle of up to 180° is possible by using holding magnet).

Both floor springs (BTS 80 EMBs) have the features of adjustable closing speed under full hydraulic control starting at 180°, adjustable latching action and mechanical backcheck. Door coordination function conforming to EN 1158, operating independently of the closer hydraulics. The system comprises an active leaf and an inactive leaf mechanism interconnected by a bowden cable. Including cement box. For left-handed (DIN-L) and right-handed (DIN-R) doors.

Operating voltage: 24 V DC

Power consumption: 2 x 2.3 W

The BSR door coordinator has been tested by Afnor Certification for use on double-leaf doors.

Approved by the "Deutsches Institut für Bautechnik (DIBt)", Berlin (Germany), for use in combination with all common smoke detector and hold-open systems.

Acceptance inspection mandatory.

Closing force

Active door leaf

EN 3-6

Inactive door leaf

EN 3-6

Version active leaf

DIN left

DIN right

Accessories

Door coordinator BSR

Cover plate BSR (1.5 mm thick)

Stainless steel

Satin brass

Spindle BSR

Standard

. . . mm extension

Sealing compound 2300 Top

Make:

dormakaba BTS 80 VF

dormakaba BTS 80 VF

Closing force

Active door leaf

EN 4

EN 5

EN 6

Inactive door leaf

EN 4

EN 5

EN 6

Version active leaf

DIN left

DIN right

Accessories

Door coordinator BSR

Cover plate BSR (1.5 mm thick)

Stainless steel

Satin brass

Spindle BSR

Standard

. . . mm extension

Sealing compound 2300 Top

Make:

dormakaba BTS 80 FLB

dormakaba BTS 80 EMB

BSR EMB 1 G / VF 1 S (EMB/VF)

Floor spring to EN 1154 and with C € mark. Active leaf (BTS 80 EMB) with integrated electro-hydraulic hold-open to EN 1155 and integrated pressure compensation for constant, adjustable, temperature-immune hold-open between door opening angles of approx. 75° and 170° (Door opening angle of up to 180° is possible by using holding magnet).

Inactive leaf (BTS 80 VF) with adjustable closing force from EN 3 to 6 with fully hydraulically controlled closing action starting at 180°, and bubble level.

Both floor springs (BTS 80 EMB and BTS 80 VF) have the features of adjustable closing speed under full hydraulic control starting at 180°, adjustable latching action and mechanical backcheck.

Door coordination function conforming to EN 1158, operating independently of the closer hydraulics. The system comprises an active leaf and an inactive leaf mechanism interconnected by a bowden cable. Including cement box. For left-handed (DIN-L) and right-handed (DIN-R) doors.

Operating voltage: 24 V DC

Power consumption: 2.3 W

The BSR door coordinator has been tested by Afnor Certification for use on double-leaf doors.

Approved by the "Deutsches Institut für Bautechnik (DIBt)", Berlin (Germany), for use in combination with all common smoke detector and hold-open systems.

Acceptance inspection mandatory.

Closing force

Active door leaf

EN 4

EN 5

EN 6

Inactive door leaf

EN 3-6

Version active leaf

DIN left

DIN right

Accessories

Door coordinator BSR

Cover plate BSR (1.5 mm thick)

Stainless steel

Satin brass

Spindle BSR

Standard

. . . mm extension

Sealing compound 2300 Top

Make:

dormakaba BTS 80 EMB

dormakaba BTS 80 VF

BSR FLB 1 G / VF 1 S (FLB/VF)

Floor spring to EN 1154 and with C € mark. Active leaf (BTS 80 FLB) with electro-hydraulic free-swing function to EN 1155 between door opening angle of 0° and 180°, closer function (nonpowered) effective from 180°.

Inactive leaf (BTS 80 VF) with adjustable closing force from EN 3 to 6 with adjustable latching action, bubble level and mechanical backcheck.

Both floor springs (BTS 80 FLB and BTS 80 VF) have the features of adjustable closing speed under full hydraulic control starting at 180°. Door coordination function conforming to EN 1158, operating independently of the closer hydraulics. The system comprises an active leaf and an inactive leaf mechanism interconnected by a bowden cable. Including cement box. For left-handed (DIN-L) and right-handed (DIN-R) doors.

Operating voltage: 24 V DC

Power consumption: 2.3 W

The BSR door coordinator has been tested by Afnor Certification for use on double-leaf doors.

Approved by the "Deutsches Institut für Bautechnik (DIBt)", Berlin (Germany), for use in combination with all common smoke detector systems.

Acceptance inspection mandatory.

Closing force

Active door leaf

EN 4

EN 5

EN 6

Inactive door leaf

EN 3-6

Version active leaf

DIN left

DIN right

Accessories

Door coordinator BSR

Cover plate BSR (1.5 mm thick)

Stainless steel

Satin brass

Spindle BSR

Standard

. . . mm extension

Sealing compound 2300 Top

Make:

dormakaba BTS 80 FLB

dormakaba BTS 80 VF

Our Sustainability Commitment

We are committed to foster a sustainable development along our entire value chain in line with our economic, environmental and social responsibilities toward current and future generations. Sustainability at product level is an important, future-oriented approach in the field of construction. In order to give quantified disclosures of a product's environmental impact through its entire life cycle, dormakaba provides Environmental Product Declarations (EPD), based on holistic life cycle assessments.

www.dormakaba.com/sustainability



Our offering

Access Automation Solutions

Entrance Automation
Entrance Security



Access Control Solutions

Electronic Access & Data
Escape and Rescue Systems
Lodging Systems



Access Hardware Solutions

Door Closers
Architectural Hardware
Mechanical Key Systems



Services

Technical Support
Installation and commissioning
Maintenance and Repair



WN 05586751532, EN, 08/2025
Subject to technical modifications.



dormakaba.com

dormakaba
International Holding AG
Hofwissenstrasse 24
CH-8153 Rümlang
T +41 44 818 90 11
info@dormakaba.com
dormakaba.com