

A close-up photograph of a door with three electric strikes. The strikes are mounted on a brushed metal surface. Each strike is a rectangular metal plate with a black plastic component on top. They are secured with screws. The background is a blurred view of the door's edge and handle.

ELECTRIC STRIKES

Basic, Smoke, Fire, TV 5xx
ANSI ES Series

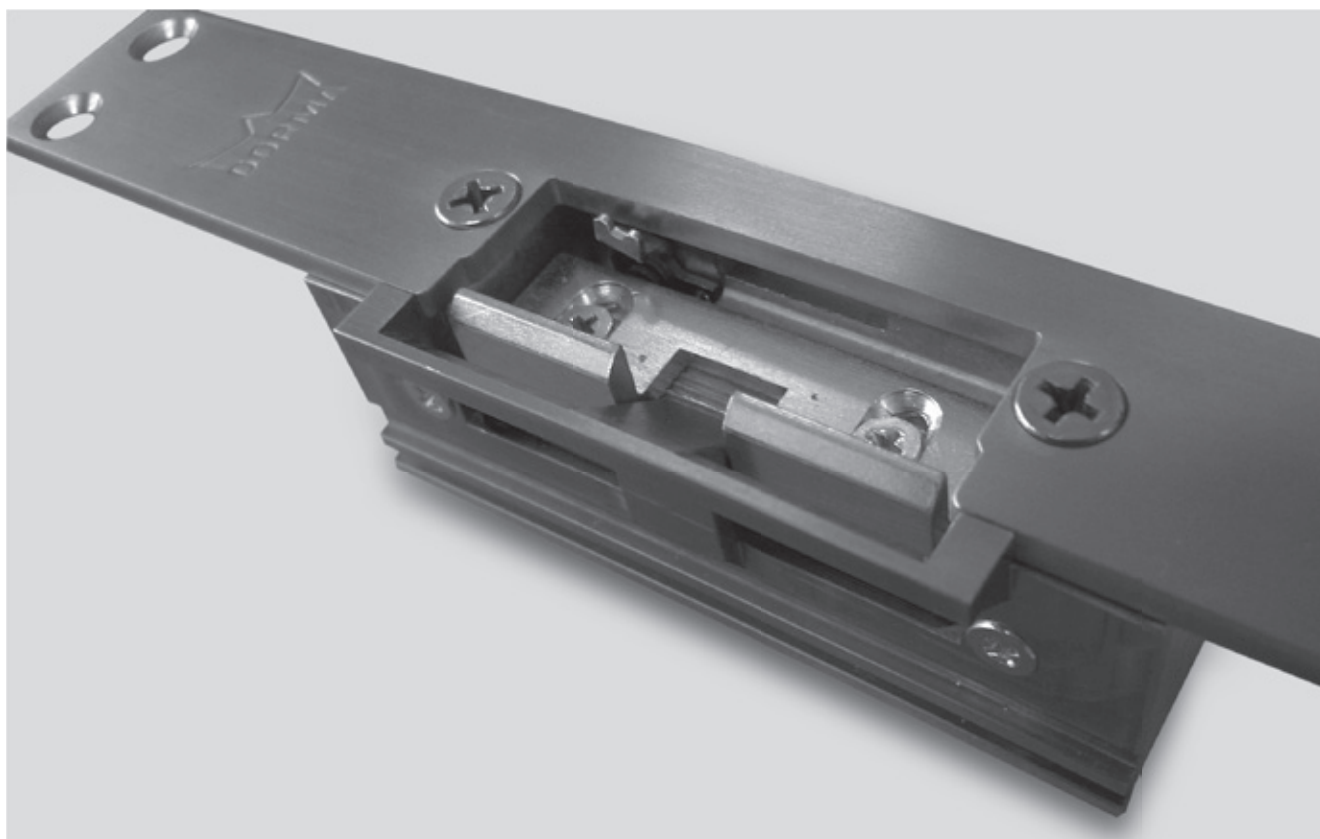
ACCESS AT THE PUSH OF A BUTTON

DORMA electric strikes ensure door security in private, public and commercial premises, are suitable for use with many different locks and door Types and are available in all conventional operating voltages.

Whether for standard doors, fire and smoke check doors or for doors in emergency and escape routes, you will be able to find the right model to match your particular requirements – all quality-assured by DORMA.

Benefits

- For over-rebated and flush-closing doors
- Modular construction system ensures flexibility
- Stainless steel strike plates
- Adjustable latch ensures optimal alignment to existing structural conditions
- Thanks to the Easy Adapt concept for electric strikes of the series Basic, Basic-Safe, Smoke, Fire 447 and Fire 448 there is no need for disruptive recesses in the door frame for the electric strike latch, so the door seal is left unbroken.
- Fail-secure and fail-safe models
- Series Fire 447 and Fire 448 for fire and smoke check doors with general approval covering any position
- Holding function, unlocking function and monitor contact depending on model



CONTENTS

Electric Strikes	Data and features	4
	Dimensions	6
	Series Basic	
	Standard electric strikes	8
	Series Basic-Radius	
	Electric strikes with radius latch	9
	Series DES 7xx / Basic-Small	
	Doors with thermal-break profiles	10
	Series Smoke	
	Electric Strikes for Smoke Check Doors	11
	Series Fire	
	Electric Strikes for Fire and Smoke Check Doors	12
	Strike plates	13
	Series DES 300, DES 400	
Security electric strike	18	
Series TV 5xx		
Locking mechanisms	20	
Strike plates – Series TV 5xx	22	
Accessories	28	
Electric Strikes	Data and features	32
ANSI ES Series	Dimensions	34
	Series ES61	40
	Series ES62, ES62F	41
	Series ES72F	42
	Series ES74F, ES79F	43
	Series ES84, ES86	44
	Series ES96F	46

Data and features

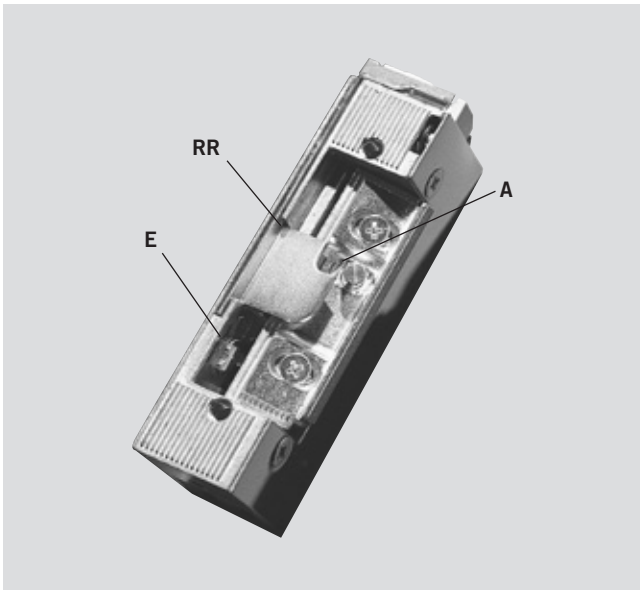
Electric Strikes Series	Basic	Lucky Basic 448	Basic-Safe	Basic-Radius	Basic-Radius Safe	DES 72x	DES 731	Basic-Small	Smoke	Lucky Smoke 448	Fire 447	Lucky Fire 448	DES 300	DES 400
Standard doors	●	●	●	●	●	●	●	-	-	-	-	-	-	-
Doors with thermal-break profiles	-	-	-	-	-	-	-	●	-	-	-	-	-	-
Smoke protection doors	-	-	-	-	-	-	-	-	●	●	●	●	-	-
Fire protection doors	-	-	-	-	-	-	-	-	-	-	●	●	-	-
Symmetrical housing	●	●	●	●	●	-	-	-	●	●	●	●	●	●
Asymmetrical housing	-	-	-	-	-	●	●	●	-	-	-	-	-	-
Non-handed	●	●	●	●	●	●	●	-	●	●	●	●	●	●
Radius latch	-	-	-	●	●	-	-	-	-	-	-	-	-	-
Fail-safe model	-	-	●	-	●	-	●	-	-	-	-	-	-	-
Fail-secure model	●	●	-	●	-	●	-	●	●	●	●	●	-	-
Fail-Safe/Fail-secure switchable	-	-	-	-	-	-	-	-	-	-	-	-	●	●
Unlocking function (E)	●	-	-	●	-	-	-	●	-	-	-	-	-	-
Holding function (A)	●	-	-	●	-	-	-	-	-	-	-	-	-	-
monitor contact (RR)	●	●	●	●	●	●	●	-	●	●	●	●	●	●
Latch guide Easy Adapt	○	●	○	-	-	-	-	-	○	●	○	●	-	-
Anti-tamper contact	-	-	-	-	-	-	-	-	-	-	-	-	-	●

● = yes - = no ○ = option

In emergency and escape routes the DORMA TV5xx door locking mechanism must be used as an "electric strike".
(See pages 20).

Electric Strikes	Voltage	Current	Resistance	ED
Basic, Basic-R, Smoke, Fire 447	6-12 V	6 V AC	6.5 Ω	
		6 V DC		
		12 V AC		
		12 V DC		
Basic, Basic-R, Smoke, Fire 447	12 V AC	12 V AC	18.0 Ω	
		12 V DC		
Basic, Basic-Safe, Basic-R, Basic-R Safe, Smoke, Fire 447	12 V DC	12 V DC	51.0 Ω	100 %
		24 V DC		
Basic, Basic-Safe, Basic-R, Basic-R Safe, Smoke, Fire 447	24 V DC	24 V DC	170.0 Ω	100 %
		12-24 V DC		
Basic, Smoke, Fire 448 Lucky Strike	12-24 V DC	12 V DC	7.5 Ω	100 %
		24 V DC		100 %
Basic-Small	6-12 V	6 V AC	7.5 Ω	
		6 V DC		
		12 V AC		
		12 V DC		
DES 700	12/24 V DC	12 V DC		100 %
		24 V DC		100 %
DES 300, DES 400	12/24 V DC	12 V DC		100 %
		24 V DC		100 %

The specifications for the alternating voltage (AC) are for a frequency of 50 Hz.
The pure ohmic resistance of the coil is stated.



A = Holding function

If the electric strike lever handle is activated momentarily, the mechanism in the electric strike responds, releasing the strike until after the door has been opened. Once-off entry is possible.

E = Unlocking

A small lever switches the electric strike off. The door is fully accessible without any signalling from the electric strike.

RR = monitor contact

A floating contact supplies "Door open" / "Door closed" status signals.



Function Lucky Strike

In addition to the standard product advantages indicated above, DORMA electric strikes featuring the Lucky Strike Module also offer the following:

- Switch-off of audible signal tone on activation
- Effective unlocking and release under pre-load
- 100% duty factor
- Multi-voltage capability: 12-24 V DC
- With the additional GL rectifier module, Lucky Strike units can also be operated with 12-24 V AC

Lucky Basic (standard-duty model)

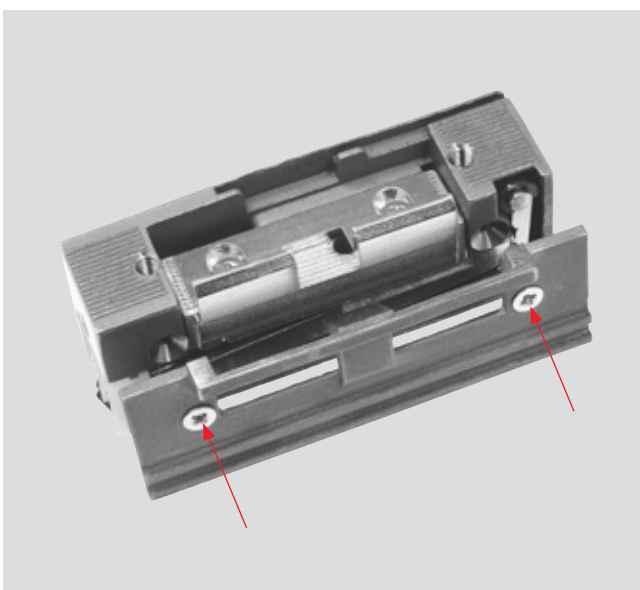
- Available as a fail-secure unit

Lucky Smoke (smoke-rated model)

- Certificate of approval as a reversible smoke-rated unit

Lucky Fire (fi re-rated model)

- Certificate of approval as a reversible fire-rated unit



Easy Adapt

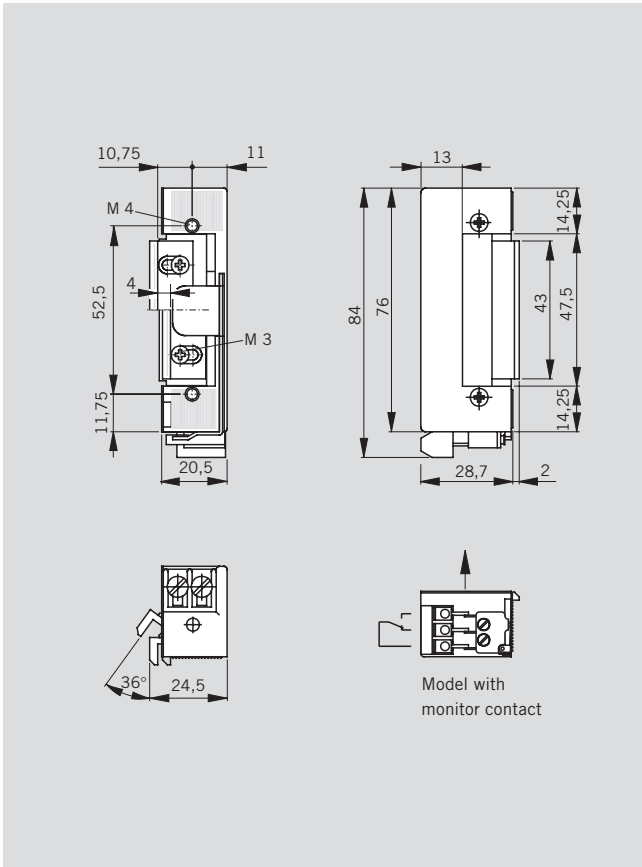
The Easy Adapt is a casing cover with a latch guide/keeper for electric strikes of the series Basic, Basic-Safe, Smoke and Fire 447/448. The cover is designed so that the lock latch is ideally guided and located without any danger of it becoming jammed. The Easy Adapt simply replaces the standard casing cover.

In the case of the Lucky Basic, Lucky Smoke and Lucky Fire 447/448 units, the Easy Adapt cover is part of the standard equipment.

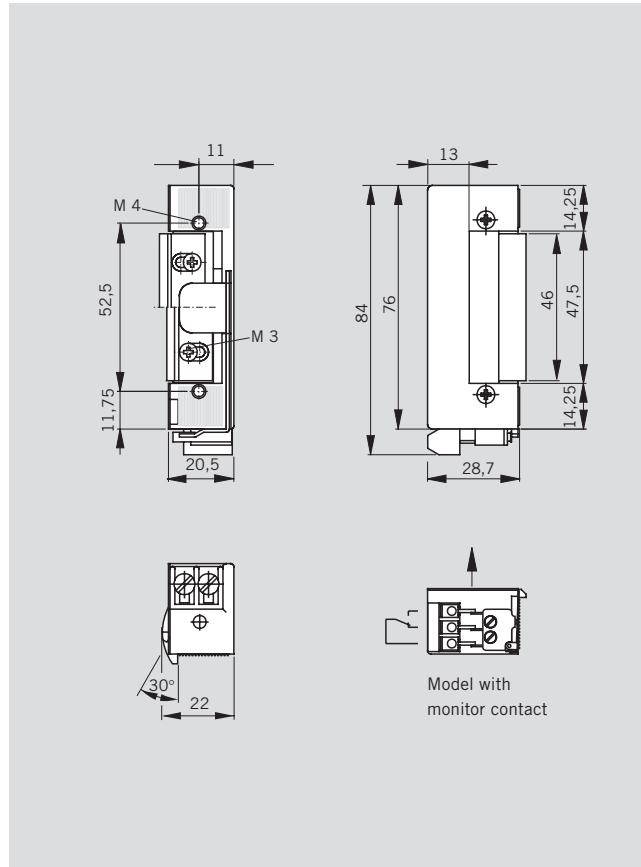
Thanks to the Easy Adapt concept, there is no need for disruptive recesses in the door frame for the electric strike latch, so the door seal is left unbroken.

ELECTRIC STRIKES

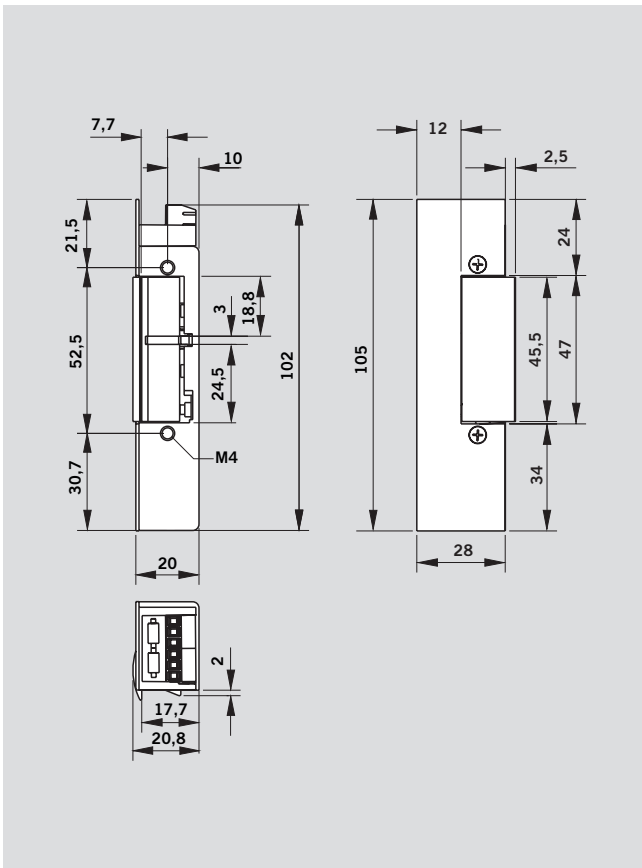
Basic / Basic-Safe / Smoke



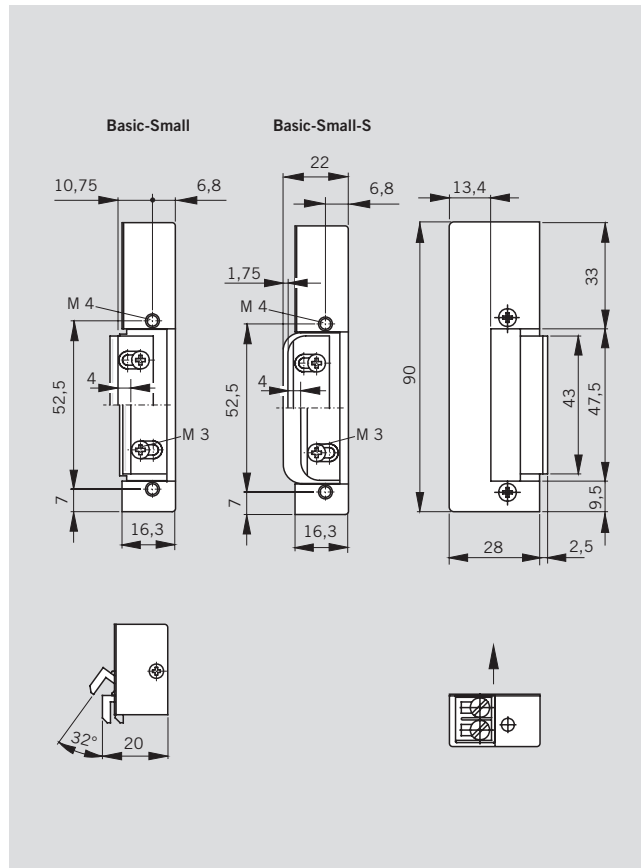
Basic-Radius / Basic-Radius Safe



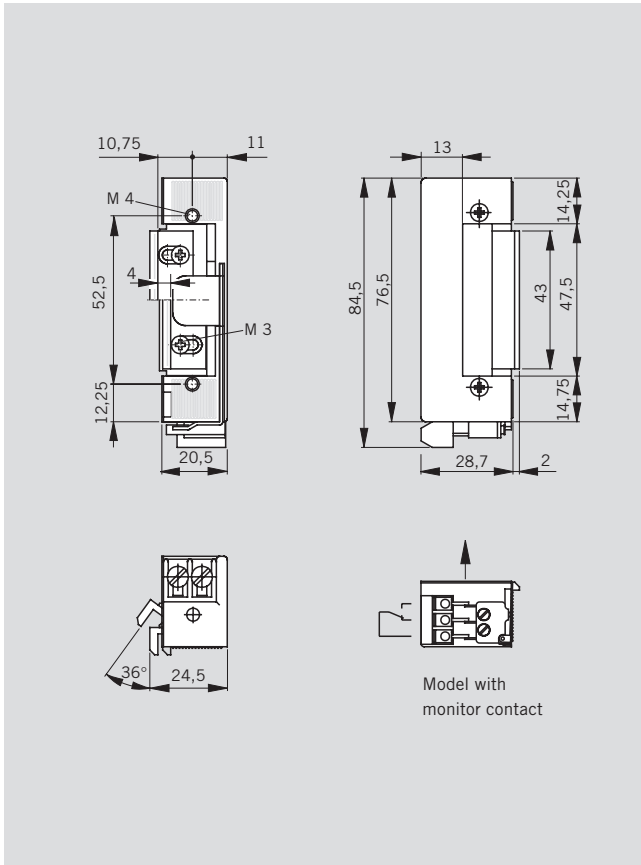
DES 7xx



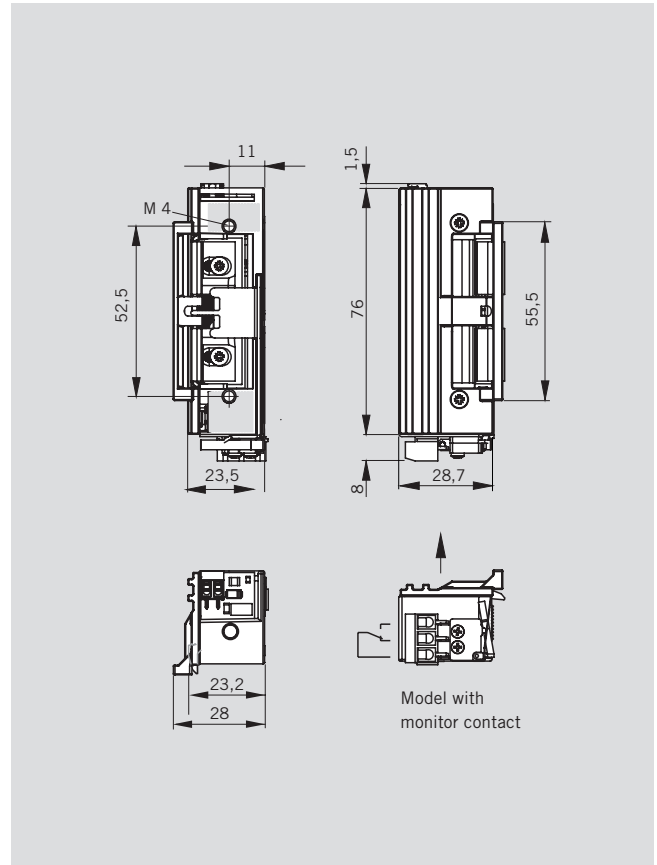
Basic-Small / Basic-Small-S



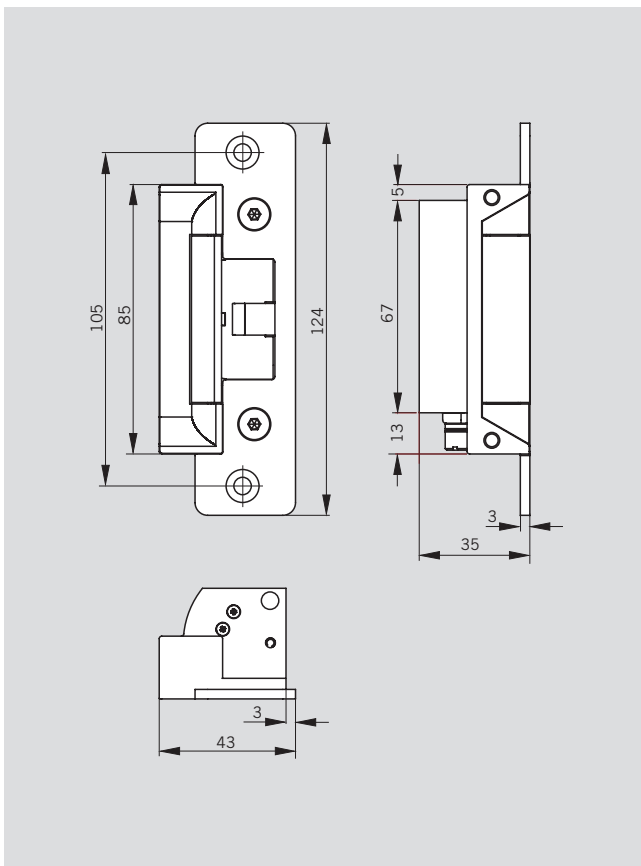
Fire 447 / Fire 448



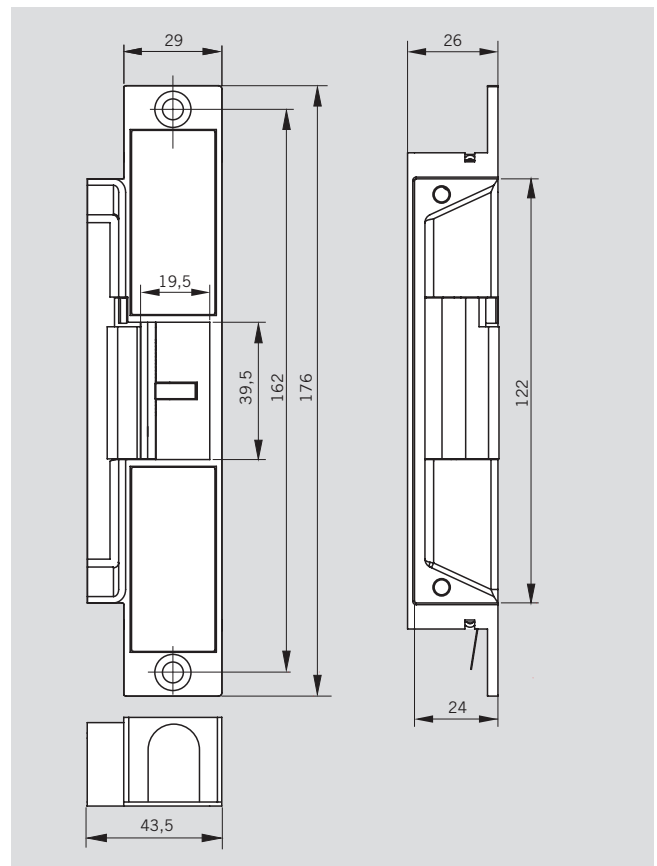
Fire 448 + Easy Adapt



DES 300



DES 400



STANDARD ELECTRIC STRIKES

Series	Voltage	Unlocking function (E)	Holding function (A)	Monitor contact (RR)	Easy Adapt	Type	Order No.	
Basic	6–12 V AC/DC	–	–	–	–		15117106	
		●	–	–	–	E	15117206	
		–	●	–	–	A	15117306	
		●	●	–	–	AE	15117406	
		–	–	●	–	RR	15117506	
		●	–	●	–	E-RR	15117606	
		–	●	●	–	A-RR	15117706	
		●	●	●	–	AE-RR	15117806	
	Fail-secure	12 V AC	–	–	●	–		15117111
			●	–	–	–	E	15117211
		12 V DC 100% ED	–	–	●	–		15117112
			●	–	–	–	E	15117212
			–	●	–	–	A	15117312
			●	●	–	–	AE	15117412
			–	–	●	–	RR	15117512
			●	–	●	–	E-RR	15117612
			–	●	●	–	A-RR	15117712
			●	●	●	–	AE-RR	15117812
		24 V DC 100% ED	–	–	●	–		15117124
			●	–	–	–	E	15117224
			–	●	–	–	A	15117324
			●	●	–	–	AE	15117424
			–	–	●	–	RR	15117524
			●	–	●	–	E-RR	15117624
	–		●	●	–	A-RR	15117724	
	●		●	●	–	AE-RR	15117824	
	Basic 448 Lucky Strike	12–24 V DC 100% ED	–	–	●	–		15117148
			–	–	●	–	RR	15117548
–			–	●	●		15117147	
–			–	●	●	RR	15117547	
Basic 448 Lucky Strike incl. GL-Module	12–24 V AC/DC 100% ED	–	–	●	–		15117144	
		–	–	●	–	RR	15117544	
		–	–	●	●		15117143	
		–	–	●	●	RR	15117543	
Basic-Safe	Fail-Safe 12 V DC 100% ED	–	–	●	–		15137112	
		–	–	●	–	RR	15137512	
	24 V DC 100% ED	–	–	●	–		15137124	
		–	–	●	–	RR	15137524	

Contact rating: max. 48 V, 1 A (RR model)

● = yes – = no

Specification text

Electric strike with adjustable latch, for over-rebated and flush-closing doors, non-handed.

Model: Basic

Fail-secure

 6–12 V AC/DC 12 V AC 12 V DC 24 V DC Lucky Strike 12–24 V DC Lucky Strike 12–24 V AC/DC incl. GL-Module with holding function with unlocking function with monitor contact**Model: Basic-Safe**

Fail-Safe

 12 V DC 24 V DC with monitor contact**Accessories**

(to be ordered separately)

Easy Adapt

(see page 30)

Stainless steel strike plate

(see page 13)

Lucky Strike Platine

(see page 30)

ELECTRIC STRIKES WITH RADIUS LATCH

Series	Voltage	Unlocking function (E)	Holding function (A)	Monitor contact (RR)	Easy Adapt	Type	Order No.	
Basic-Radius	6-12 V AC/DC	-	-	-	-		15111106	
		●	-	-	-	E	15111206	
		-	●	-	-	A	15111306	
		●	●	-	-	AE	15111406	
		-	-	●	-	RR	15111506	
	Fail-secure	12 V DC	-	-	-	-		15111112
		100% ED	-	-	●	-	RR	15111512
		24 V DC	-	-	-	-		15111124
		100% ED	-	-	●	-	RR	15111524
Basic-Radius Safe	Fail-Safe	12 V DC	-	-	-		15131112	
		100% ED	-	-	●	-	RR	15131512
	Fail-Safe	24 V DC	-	-	-	-		15131124
		100% ED	-	-	●	-	RR	15131524

Contact rating: max. 48 V, 1 A (RR model)

● = yes - = no

Specification text

Electric strike with adjustable latch, for over-rebated and flush-closing doors, non-handed.

Model: Basic-Radius

Fail-secure

- 6-12 V AC/DC
- 12 V DC
- 24 V DC

- with holding function
- with unlocking function
- with monitor contact

Model: Basic-Radius Safe

Fail-Safe

- 12 V DC
- 24 V DC

- with monitor contact

Accessories

(to be ordered separately)

Stainless steel strike plate (see page 13)

ASYMMETRIC ELECTRIC STRIKES

Series	Voltage	Unlocking function (E)	Holding function (A)	Monitor contact (RR)	Easy Adapt	Type	Order No.
DES 720	Fail-secure 12/24 V DC	-	-	-	-	L/R	703000002943
DES 721		-	-	●	-	L/R	703000002944
DES 731	Fail-Safe 12/24 V DC	-	-	●	-	L/R	703000002945

● = yes - = no

Specification text

Electric strike with permanent keeper (not adjustable) for normal demands, for over-rebated and flush-closing doors, non-handed.

Model:

- Fail-secure
12/24 V DC
 with monitor contact

- Fail-Safe
12/24 V DC
 with monitor contact

Accessories

(to be ordered separately)

Stainless steel strike plate
(see page 13)

Series	Voltage	LH/ ISO 6	RH/ ISO 5	Unlocking function (E)	Holding function (A)	Easy Adapt	Type	Order No.
Basic-Small	Fail-secure 6-12 V AC/DC	●	-	-	-	-	L	15119106
		●	-	●	-	-	LE	15119206
		-	●	-	-	-	R	15118106
Basic-Small-S	Fail-secure 6-12 V AC/DC	-	●	●	-	-	RE	15118206
		●	-	●	-	-	LE	15121206
		-	●	●	-	-	RE	15120206

● = yes - = no

Specification text

Electric strike of compact design for thermal-break profiles, with adjustable latch, for over-rebated and flush-closing doors.

Model:

- Fail-secure
 6-12 V AC/DC
 ISO 6
 ISO 5
 with unlocking function

Basic-Small-S

with lip seal for covering the recess in the profile

- Fail-secure
 6-12 V AC/DC

- ISO 6
 ISO 5
 with unlocking function

Accessories

(to be ordered separately)

Stainless steel strike plate
(see page 13)

ELECTRIC STRIKES FOR SMOKE CHECK DOORS

Series	Voltage	Unlocking function (E)	Holding function (A)	Monitor contact (RR)	Easy Adapt	Type	Order No.
Smoke	6–12 V AC/DC	–	–	–	–		15117006
		–	–	●	–	RR	15117906
	12 V AC	–	–	–	–		15117011
		–	–	●	–	RR	15117911
	12 V DC 100% ED	–	–	–	–		15117012
		–	–	●	–	RR	15117912
Smoke 448 Lucky Strike	24 V DC 100% ED	–	–	–	–		15117024
		–	–	●	–	RR	15117924
	12–24 V DC 100% ED	–	–	–	–		15117048
		–	–	●	–	RR	15117948
		–	–	–	●		15117047
		–	–	●	●	RR	15117947
Smoke 448 Lucky Strike incl. GL-Module	12–24 V AC/DC 100% ED	–	–	–	–		15117044
		–	–	●	–	RR	15117944
		–	–	–	●		15117043
		–	–	●	●	RR	15117943

Contact rating: max. 48 V, 1 A (RR model)

● = yes – = no

Advice

Security electric strikes may only be used in conjunction with door closers in accordance with DIN EN 1154, DIN 18263-1 and DIN 18263-4 on swing/pivoting doors.

In the case of doors that exert increased pressure on the electric strike latch in the closed position as a result of design factors (e.g. seals), the models must be operated using alternating current (AC).

This applies in particular if the door is equipped with a swing door operator.

F Approval certification

The DORMA security electric strike has been tested by the State Material Testing Authority of North Rhine-Westphalia, Germany for use with smoke check doors (general approval covering any position).

An approval certificate is also required for the smoke check door to be used with the DORMA.

Specification text

Security electric strike for use on fire and smoke check doors, with adjustable latch, for over-rebated and flush closing doors, non-handed.

Model: Smoke

- Fail-secure
- 6–12 V AC/DC
 - 12 V AC
 - 12 V DC
 - 24 V DC
 - Lucky Strike 12–24 V DC
 - Lucky Strike 12–24 V AC/DC incl. GL-Module

- with monitor contact

Accessories

(to be ordered separately)

- Easy Adapt (see page 30)
- Stainless steel strike plate (see page 13)

ELECTRIC STRIKES FOR FIRE AND SMOKE CHECK DOORS

Series	Voltage	Unlocking function (E)	Holding function (A)	Monitor contact (RR)	Easy Adapt	Type	Order No.
Fire 447	6–12 V AC/DC	–	–	–	–		15147106
		–	–	●	–	RR	15147506
	12 V AC	–	–	–	–		15147111
		–	–	●	–	RR	15147511
	12 V DC 100% ED	–	–	–	–		15147112
		–	–	●	–	RR	15147512
24 V DC 100% ED	–	–	–	–		15147124	
	–	–	●	–	RR	15147524	
Fire 448 Lucky Strike	12–24 V DC 100% ED	–	–	–	–		15147148
		–	–	●	–	RR	15147548
		–	–	–	●		15147147
		–	–	●	●	RR	15147547
Fire 448 Lucky Strike incl. GL-Module	12–24 V AC/DC 100% ED	–	–	–	–		15147144
		–	–	●	–	RR	15147544
		–	–	–	●		15147143
		–	–	●	●	RR	15147543

Contact rating: max. 48 V, 1 A (RR model)

● = yes – = no

Advice

Security electric strikes may only be used in conjunction with door closers in accordance with DIN EN 1154, DIN 18263-1 and DIN 18263-4 on swing/pivoting doors.

In the case of doors that exert increased pressure on the electric strike latch in the closed position as a result of design factors (e.g. seals), the models must be operated using alternating current (AC).

This applies in particular if the door is equipped with a swing door operator.

F Approval certification

The DORMA Fire 447 and Fire 448 security electric strike has been tested by the State Material Testing Authority of North Rhine-Westphalia, Germany for use with fire and smoke check doors (general approval covering any position). An approval certificate is also required for the fire and smoke check door to be used with the respective DORMA door strike.

Specification text

Security electric strike for use on fire and smoke check doors, with adjustable latch, for over-rebated and flush closing doors, non-handed.

Model: Fire 447/448

- Fail-secure
- 6–12 V AC/DC
 - 12 V AC
 - 12 V DC
 - 24 V DC
 - Lucky Strike 12–24 V DC
 - Lucky Strike 12–24 V AC/DC incl. GL-Module

- with monitor contact

Accessories

(to be ordered separately)

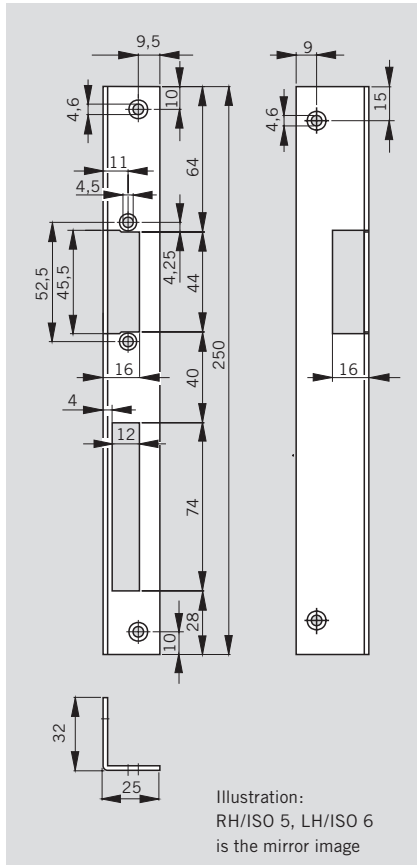
- Easy Adapt (see page 30)
- Stainless steel strike plate (see page 13)

Stainless steel strike plates for electrical strikes

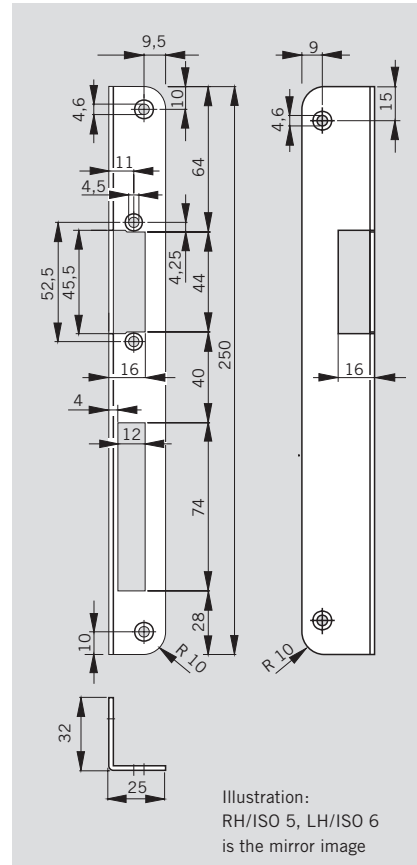
	Electric Strikes							Characteristics					Order No.
	DES 7xx	Basic, Lucky Basic Basic Safe	Basic-Radius	Basic-Radius Safe	Basic Small	Smoke Lucky Smoke Fire 447 / Fire 448 Lucky Fire 448	Dimensions mm	R = RH/ISO 5 L = LH/ISO 6	Edges radiused (for wooden doors) with holes for bolt locking contact	Drawing see page			
Rebated strike plates													
WR 25	-	●	●	-	●	●	25x32x250x3	R	-	-	14	15170025	
WL 25	-	●	●	-	●	●	25x32x250x3	L	-	-	14	15171025	
WR 25-R	-	●	●	-	●	●	25x32x250x3	R	●	-	14	15170125	
WL 25-R	-	●	●	-	●	●	25x32x250x3	L	●	-	14	15171125	
WR 25-R-RK	-	●	●	-	●	●	25x32x250x3	R	●	●	14	15170225	
WL 25-R-RK	-	●	●	-	●	●	25x32x250x3	L	●	●	14	15171225	
Flanged strike plates													
FKH 24	●	●	●	-	●	●	24x135x3	L/R	-	-	14	15180324	
FKM 24	●	●	●	-	●	●	24x135x3	L/R	-	-	14	15180424	
FL 22	●	●	●	●	●	●	22x250x3	L/R	-	-	15	15180022	
FLH 24	●	●	●	-	●	●	24x250x3	L/R	-	-	15	15180124	
FLH 24-94	●	●	●	-	●	●	24x250x3	L/R	-	-	15	15181124	
FLM 24	●	●	●	-	●	●	24x250x3	L/R	-	-	15	15180224	
FLM 24-94	●	●	●	-	●	●	24x250x3	L/R	-	-	15	15181224	
FLM 24-RK	●	●	●	-	●	●	24x250x3	L/R	-	●	15	15180724	
FLM-131	●	●	●	-	●	●	25x280x3	L/R	-	-	16	16500000149	
FLM131-RK	●	●	●	-	●	●	25x280x3	L/R	-	●	16	16500000166	
Strike plates for use in combination with "Easy Adapt"													
FLM25 Easy Adapt	-	●	-	-	●	●	25x250x3 (Lap 40 / 80 mm)	L/R	-	-	16	15180925	
FLM26 Easy Adapt	-	●	-	-	●	●	25x250x3 (Lap 40 / 100 mm)	L/R	-	-	16	15180926	
FLM28 Easy Adapt	-	●	-	-	●	●	28x250x3	L/R	-	-	16	15180928	
FLR25 Easy Adapt	-	●	-	-	●	●	25x250x3 (Lap 40 / 80 mm)	L/R	●	-	16	16500000090	
FLR30 Easy Adapt	-	●	-	-	●	●	30x250x3 (Lap 37.5 / 100 mm)	L/R	●	-	16	15180930	
FLR30-RK Easy Adapt	-	●	-	-	●	●	30x250x3 (Lap 37.5 / 100 mm)	L/R	●	●	17	15180830	
FLM34 Easy Adapt	-	●	-	-	●	●	34x250x3	L/R	-	-	17	16500000106	
FLM34-RK Easy Adapt	-	●	-	-	●	●	34x250x3	L/R	-	-	17	16500000107	
FL34 Easy Adapt	-	●	-	-	●	●	34x250x3	L/R	-	-	17	15180934	
FL34-RK Easy Adapt	-	●	-	-	●	●	34x250x3	L/R	-	●	17	15180834	
FL35-RK Easy Adapt	-	●	-	-	●	●	35x280x3	L/R	-	●	17	16500000165	

● = yes - = no

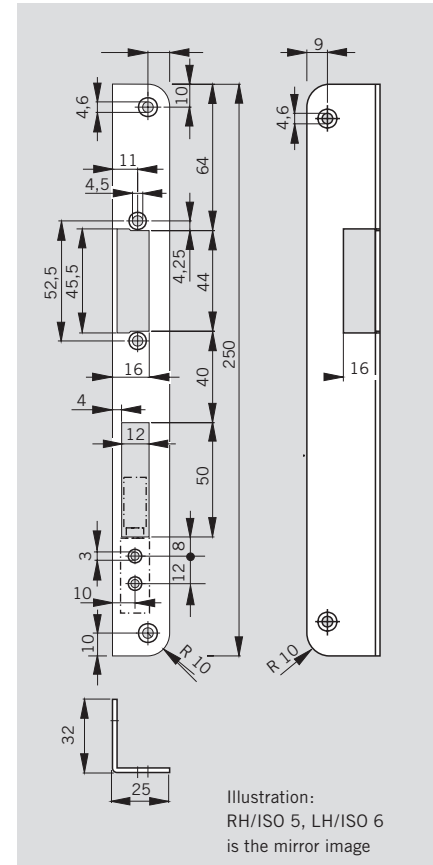
WR 25 / WL 25



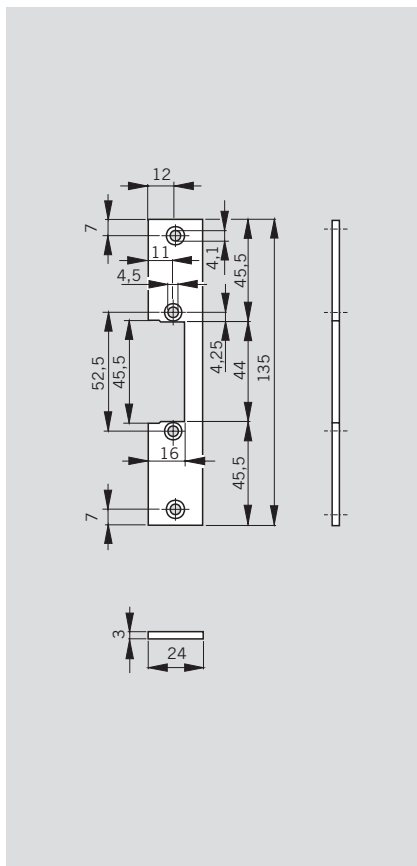
WR 25-R / WL 25-R



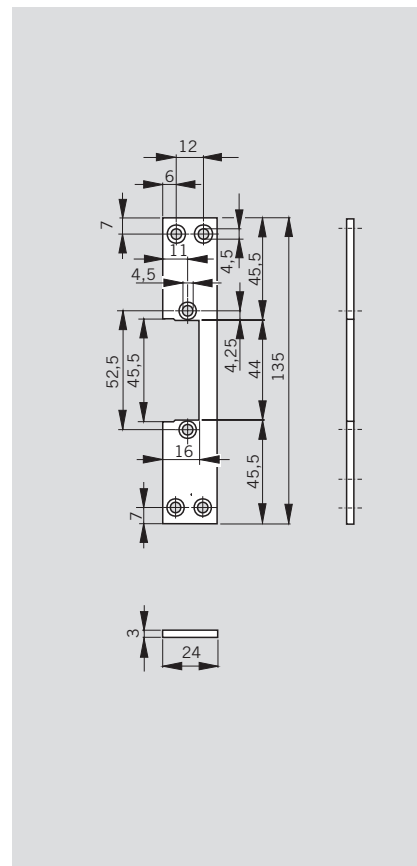
WR 25 / WL 25-R-RK



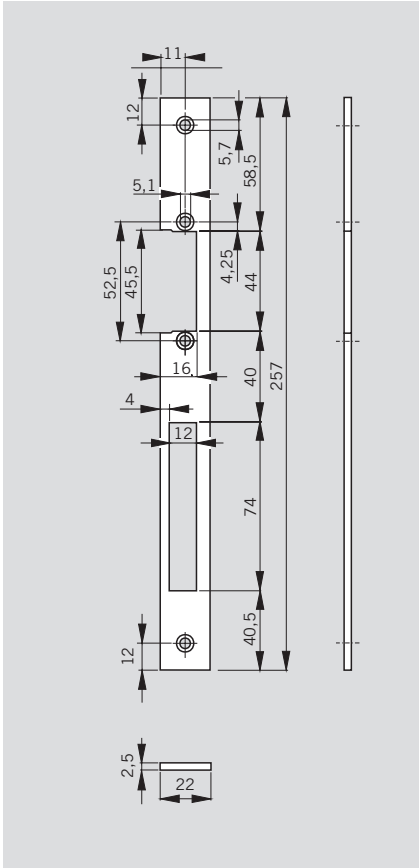
FKH 24



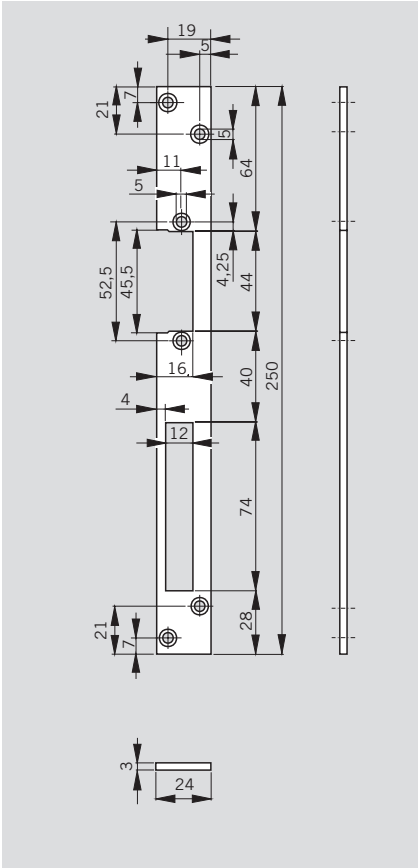
FKM 24



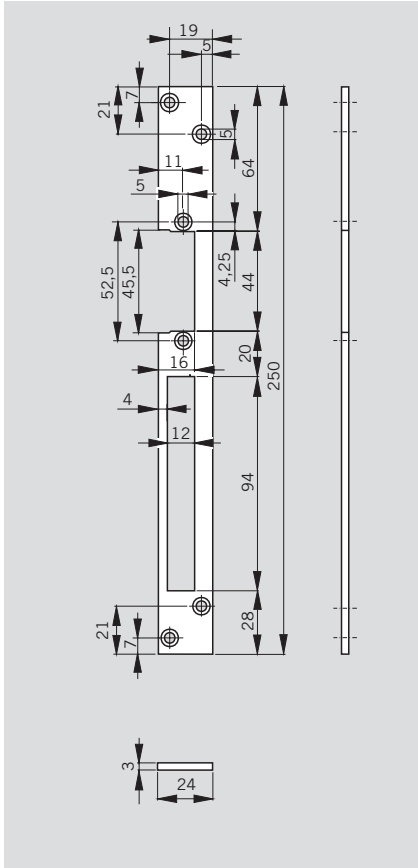
FL 22



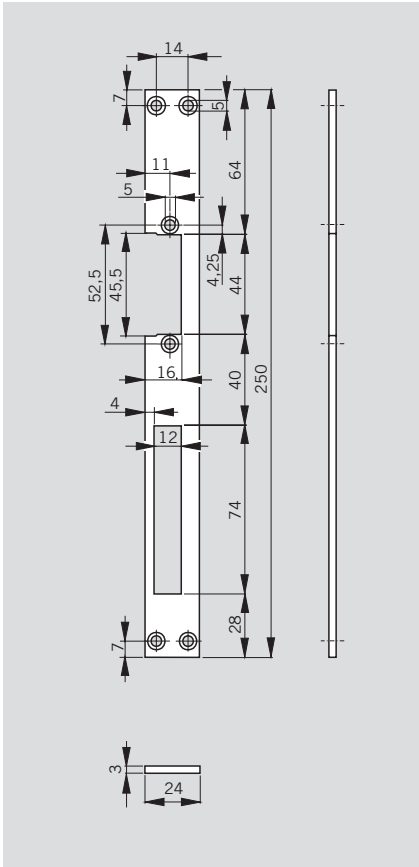
FLH 24



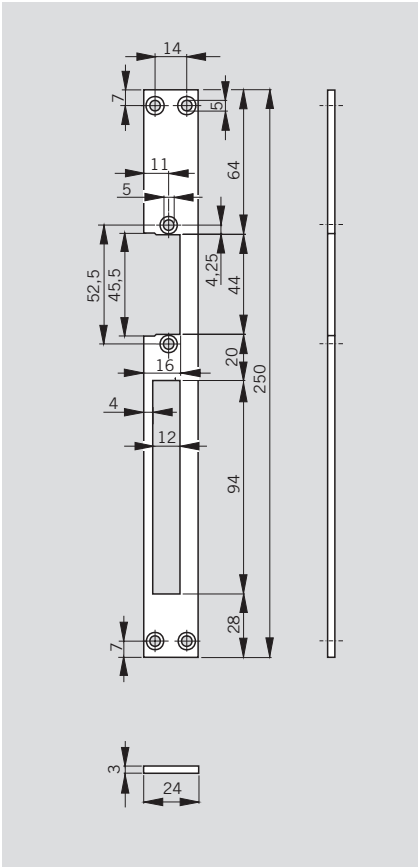
FLM 24-94



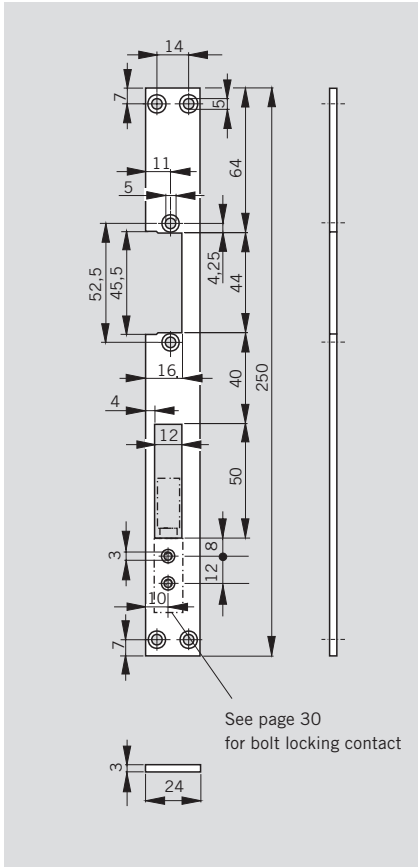
FLM 24



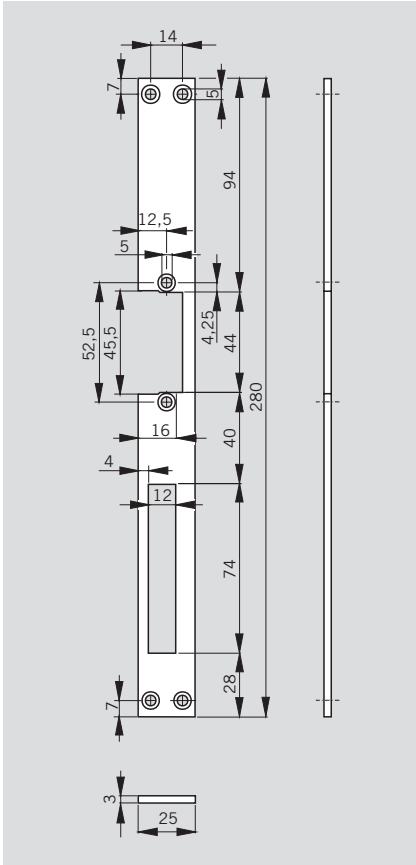
FLM 24-94



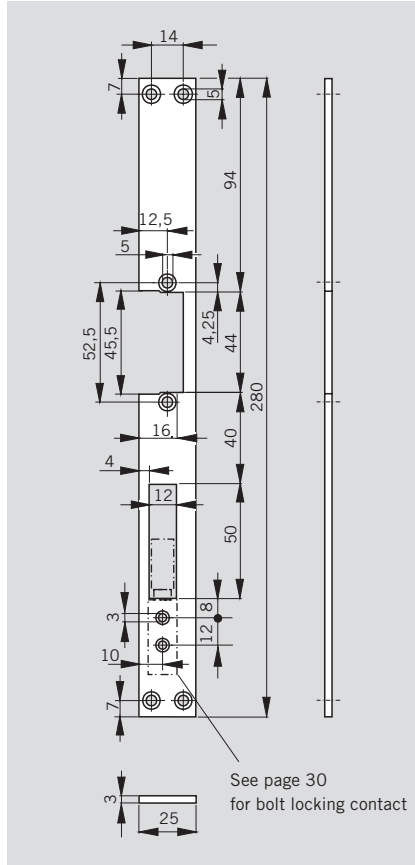
FLM 24 RK



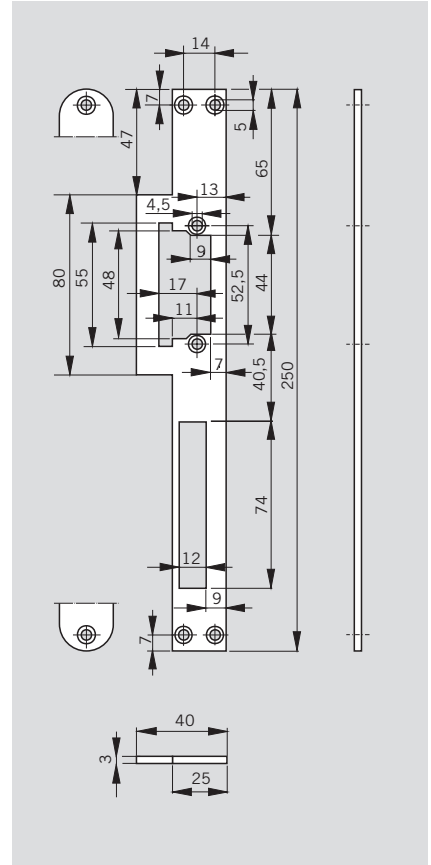
FLM 131



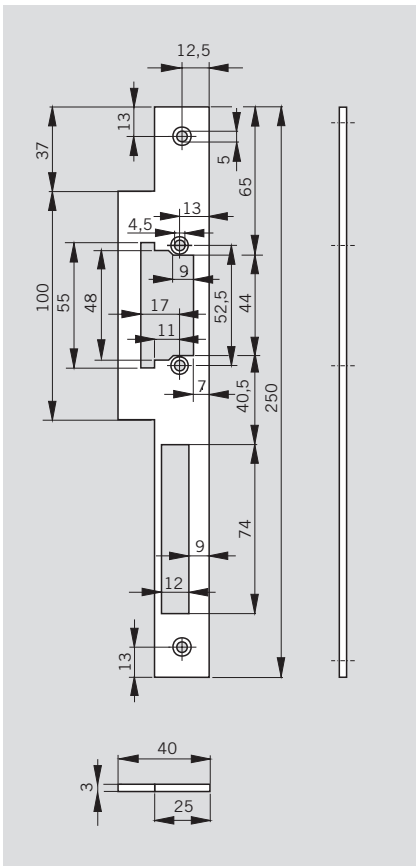
FLM 131-RK



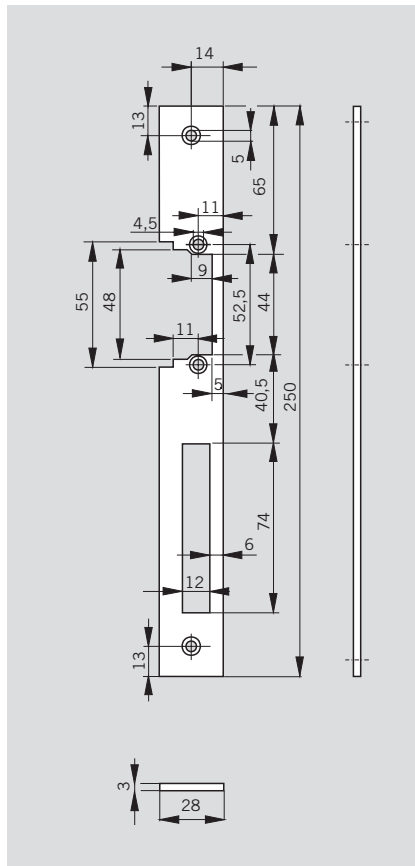
FLR 25 / FLM 25



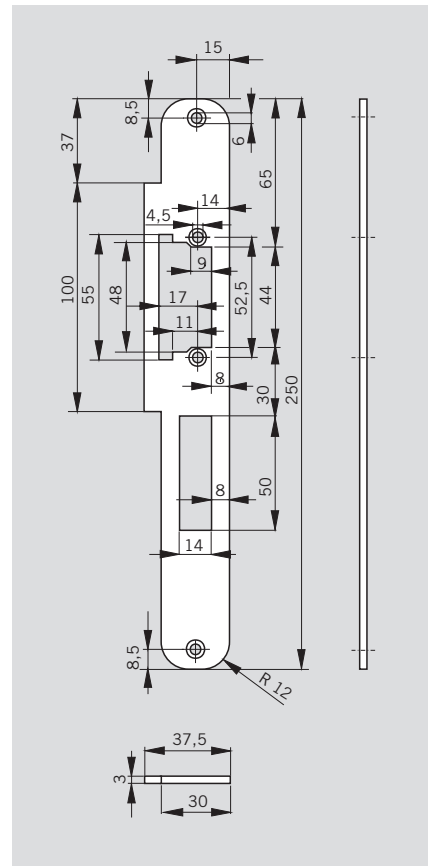
FLM 26



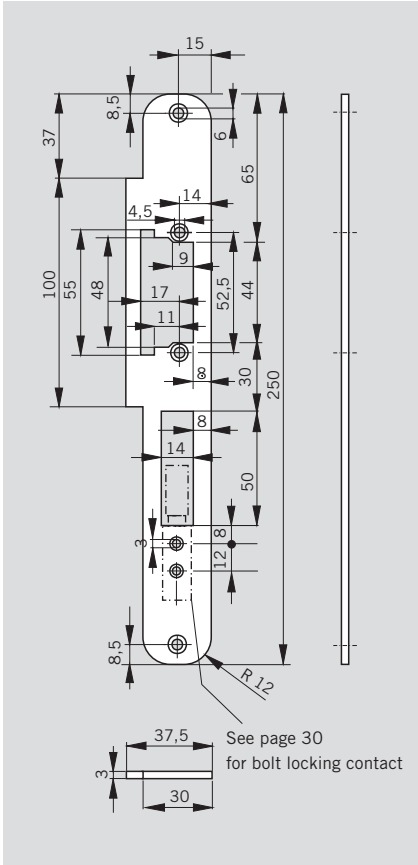
FLM 28



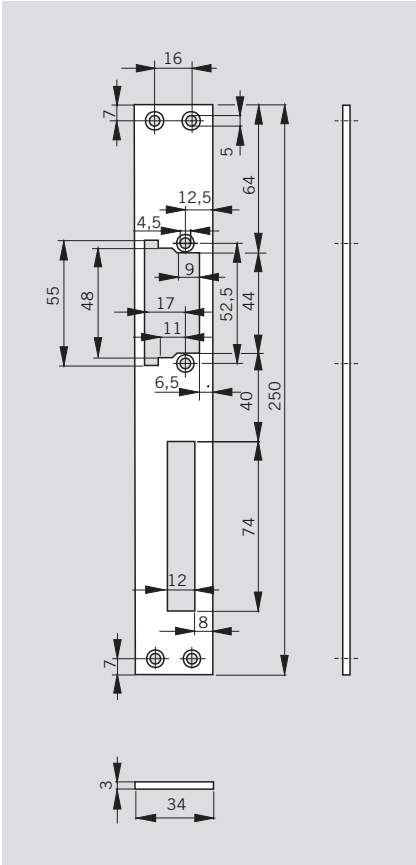
FLR 30



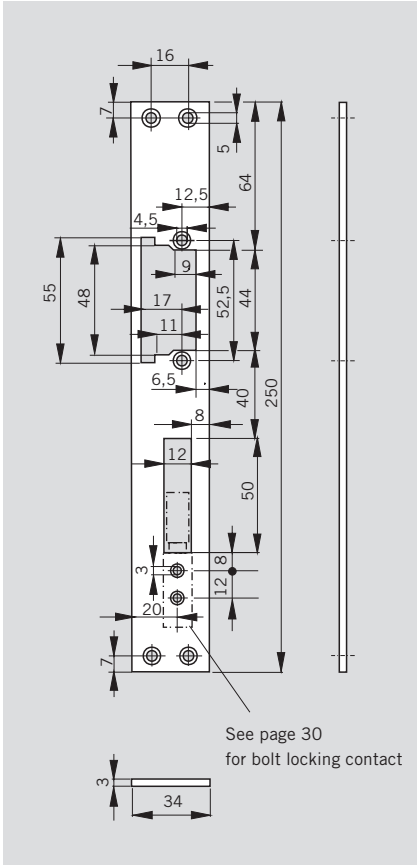
FLR 30-RK



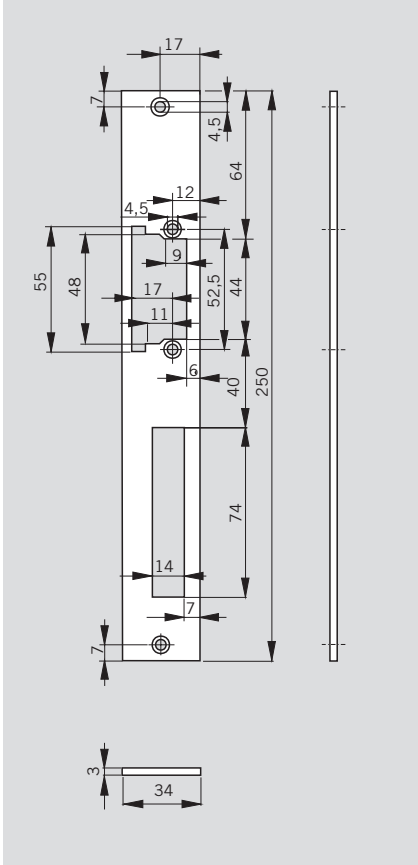
FLM 34



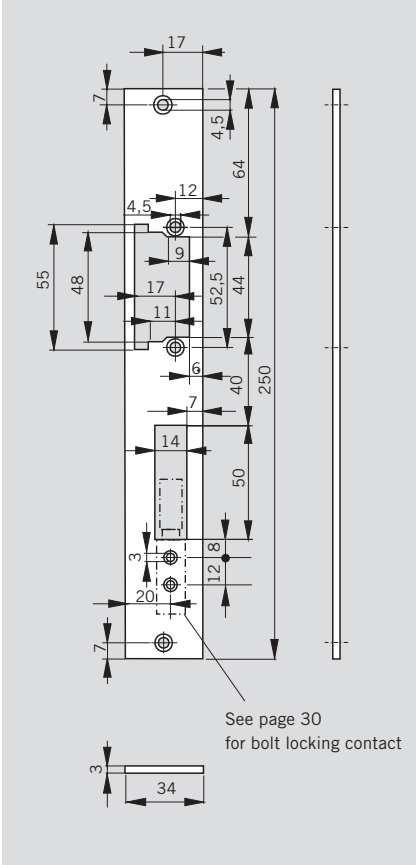
FLM 34-RK



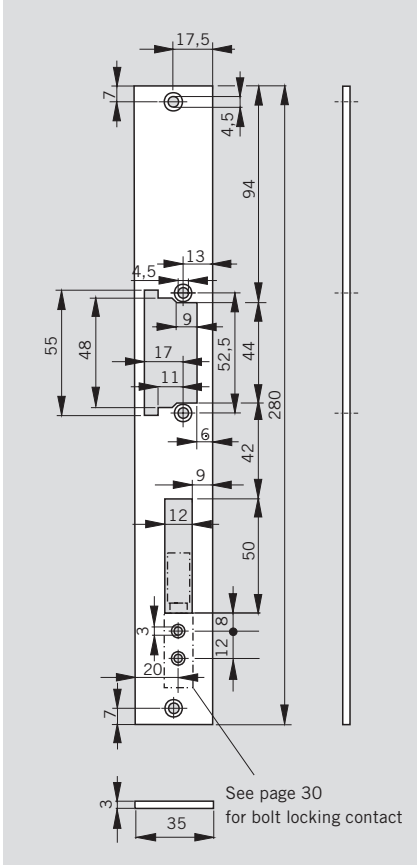
FL 34



FL 34-RK



FL 35-RK



SECURITY ELECTRIC STRIKES

Series	Voltage	Anti-tamper contact	Monitor contact (RR)	Type	Order No.
DES 300	12-24 V DC 100% ED	-	-		15112124
		-	●	RR	15115424
DES 400	12-24 V DC 100% ED	-	-		15115124
		●	●	RR	15115524

Contact rating: max. 48 V AC/30 V DC, 2A (RR model)

● = yes - = no

Electric Strike for heavy-duty applications.

Due to the robust construction this model is for use in doors with high level of security

- Superiour holding force
- Voltage field selectable
12V / 24 V DC
- Fail safe / fail secure,
easy to adjust
- Monitoring contacts available
- Monitoring contact
"door closed" available
- Anti tamper contact
(DES400 only)

Specification text

Electric strikes for use in doors with high securtity demands. Voltage field selectle 12V / 24V. Fail safe or fail secure adjustable, stainless steel - strike plate included.
For use LH and RH.

Model:

DES 300

- with monitor contact

DES 400

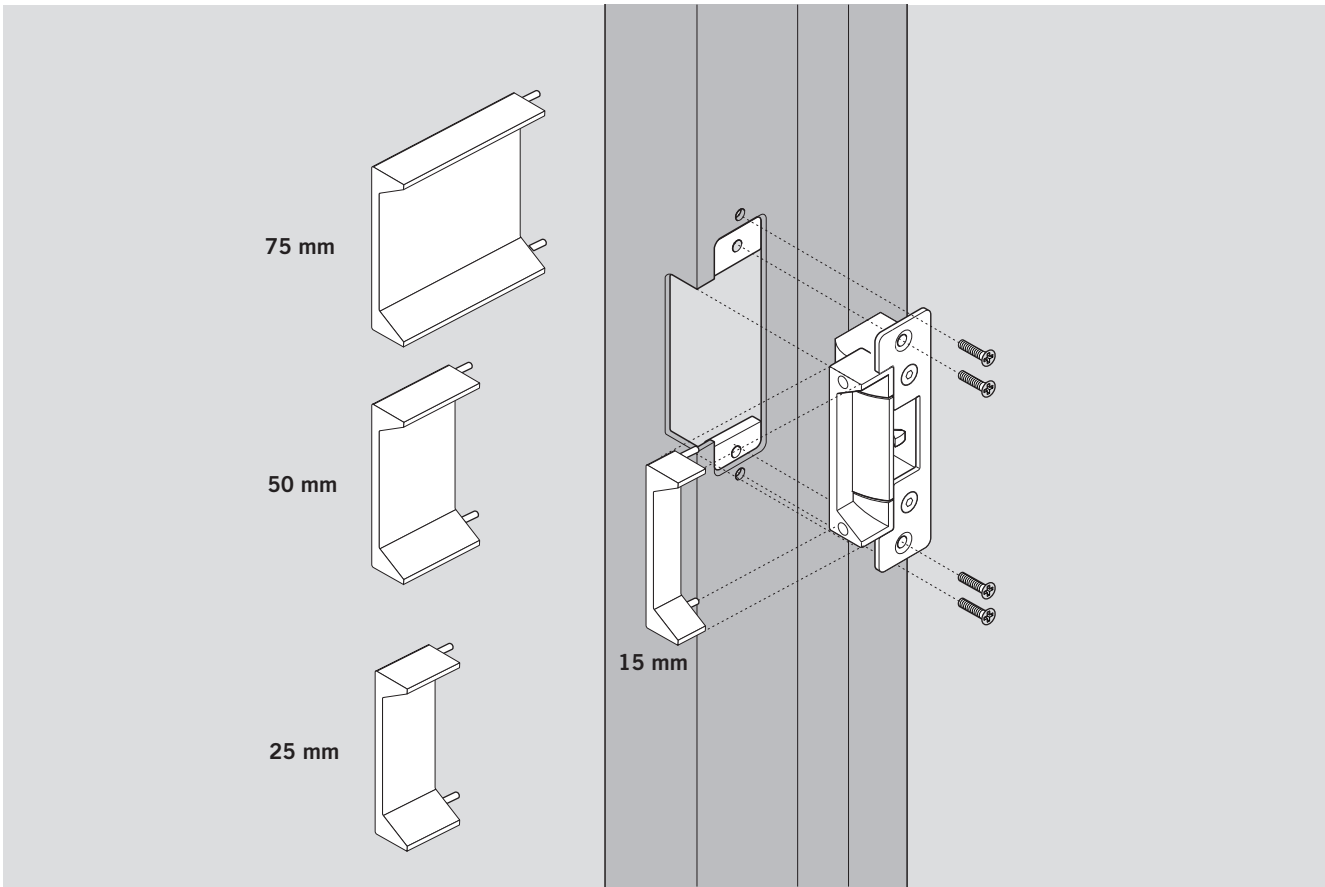
- with monitor contact

Accessories

(to be ordered separately)

Extension lips

Extension lips			
Electric Strikes	Extension lip	Extension	Order No.
DES 300	DES 315	15 mm	15115215
	DES 325	25 mm	15115225
	DES 350	50 mm	15115250
	DES 375	75 mm	15115275
DES 400	DES 415	15 mm	15115015
	DES 425	25 mm	15115025
	DES 450	50 mm	15115050
	DES 475	75 mm	15115075



LOCKING MECHANISMS



Door locking mechanisms for concealed jamb installation. Can also be used as electric strikes for emergency exits. Integral monitor contacts for signalling active/inactive status. For over-rebated and flush-closing doors.

Maximum holding force in accordance with "Requirements for electrical locking systems on doors in emergency escape routes" (EItVTR Version 12/97).

Technical data

Operating voltage	24 V DC, +/-5%
Power input	ca. 58 mA
Contact rating	24 V, 500 mA inductive 24 V DC, 1.0 A ohmic
Recommended cabling	I-Y(ST) Y4 x 2 x 0.6

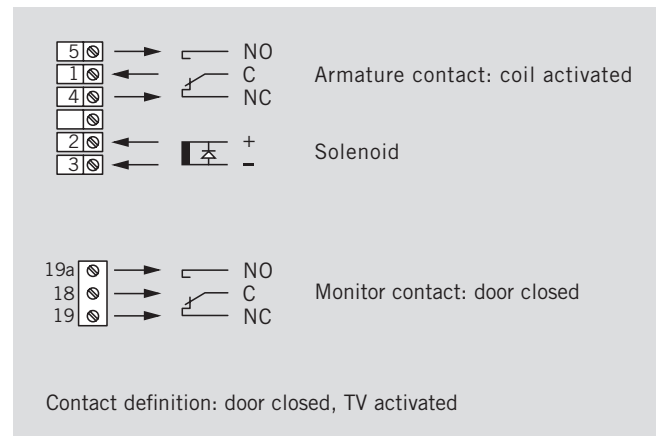
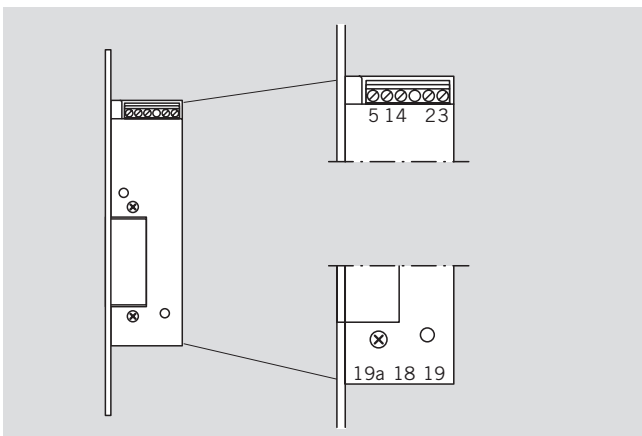
Benefits

- MPA certificated safety for use in emergency exits.
- Reduced energy, only 58 mA
- Optic advantage, the product is for sealed mounting
- Flexible use because of the adjustable latch.

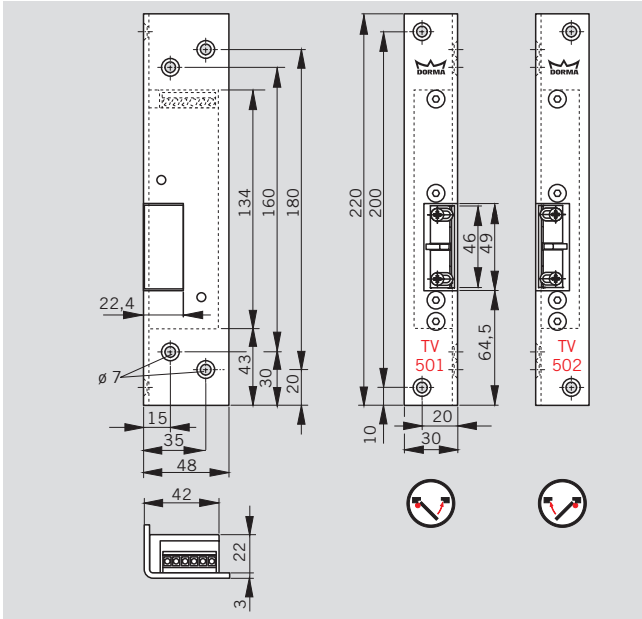
F Approval certification

Installation on fire and smoke check doors is only permitted where these doors are proven to be suitable and the associated service qualification assessment criteria are satisfied.

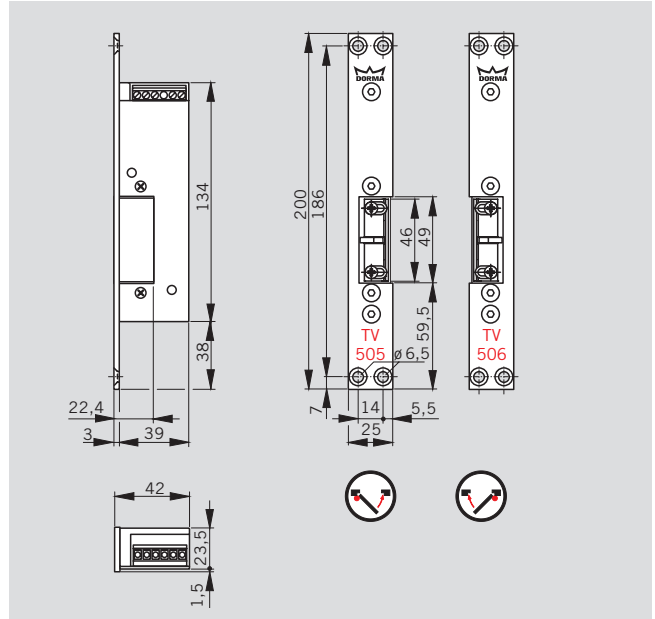
Terminal assignment and functions



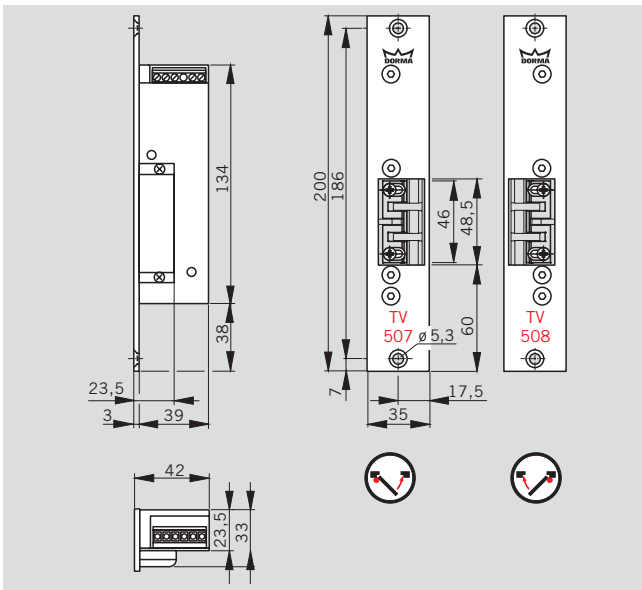
TV 501 / 502



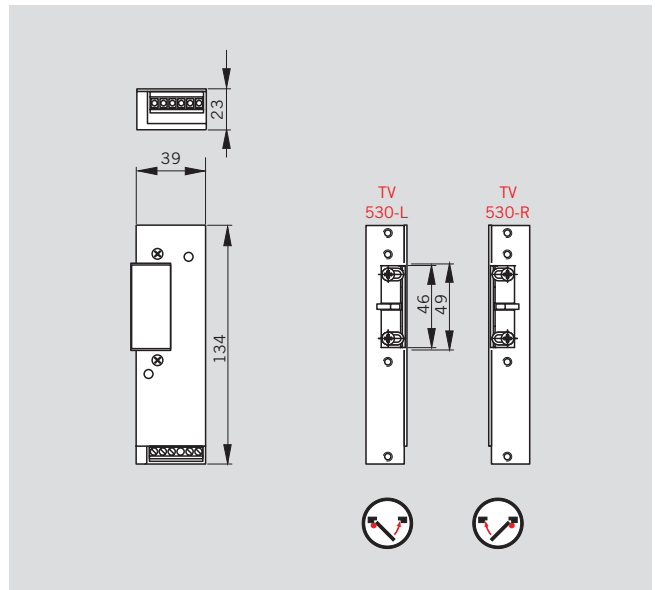
TV 505 / 506



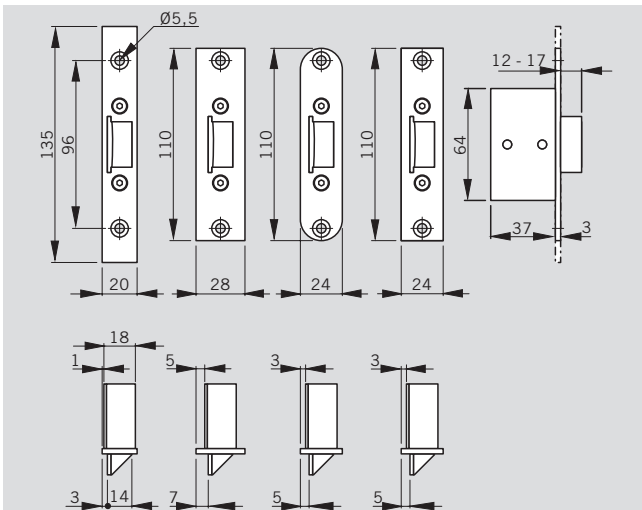
TV 507 / 508



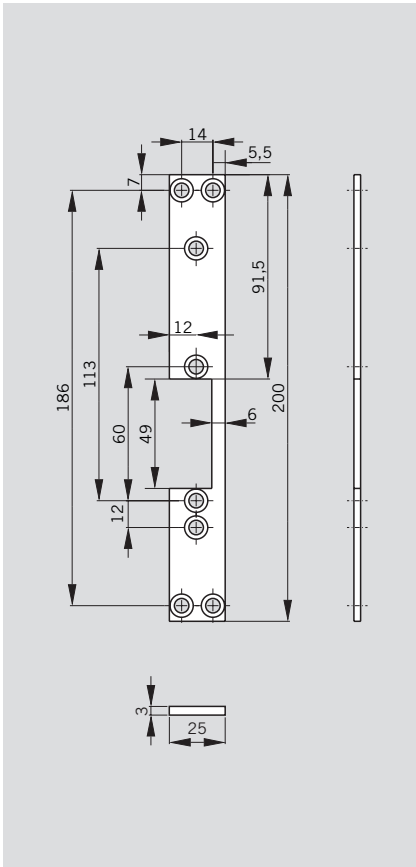
TV 530



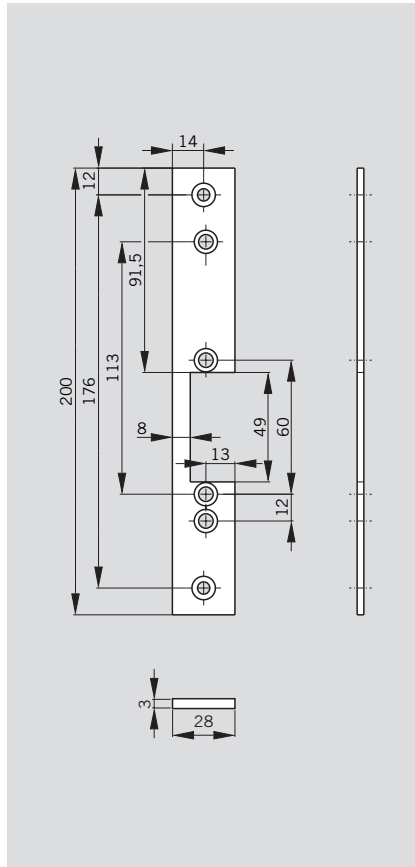
TV-Z 510



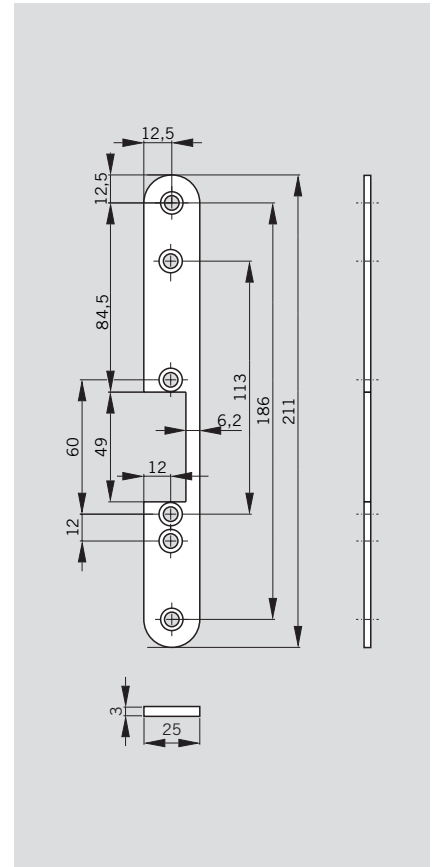
FKM 505/506 25-200



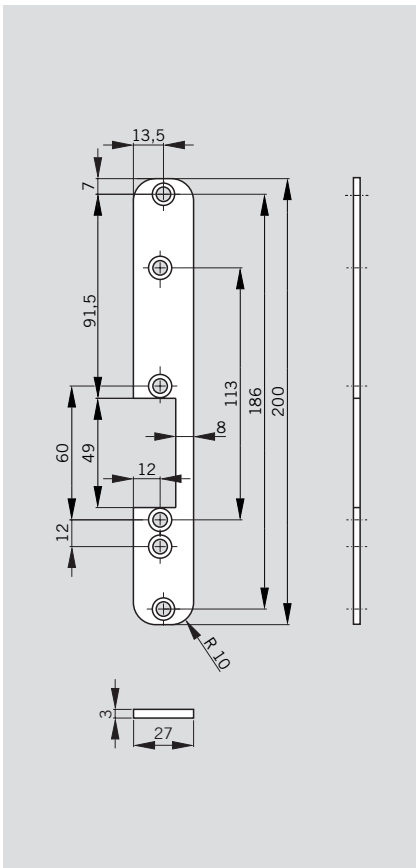
FKM 505/506 28-200



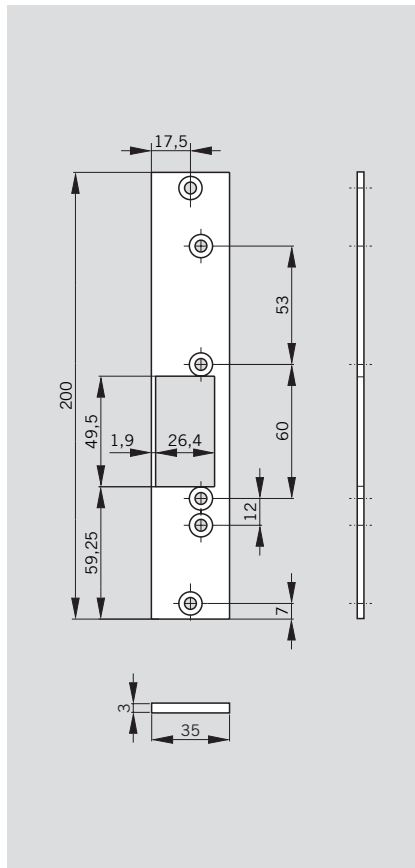
FKR 505/506 25-210



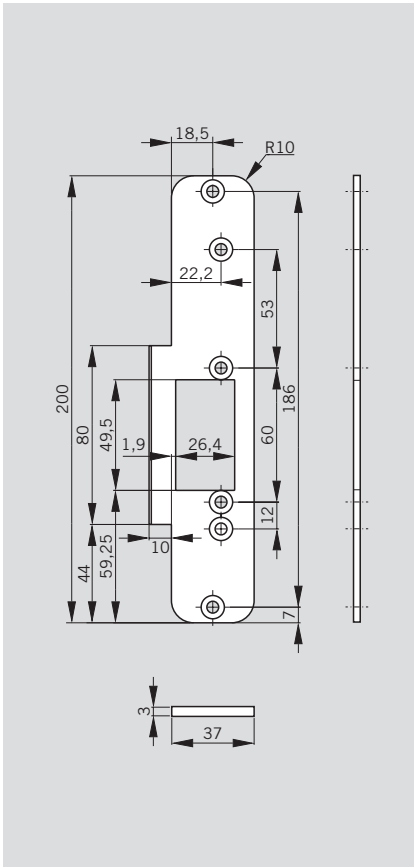
FKR 505/506 27-200



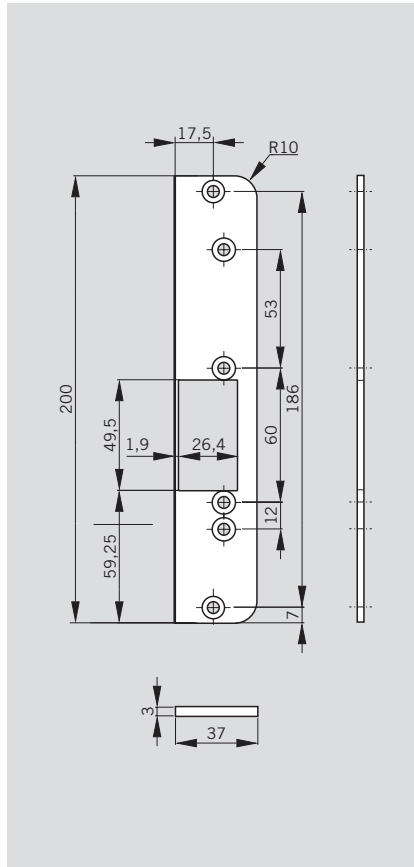
FK 507/508 35-200



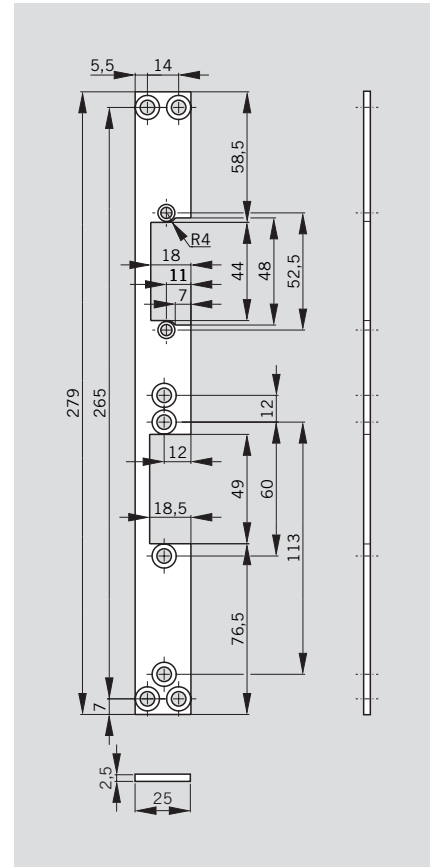
FKR 507/508 37-200



FK 507/508 37-200



FKM 530 25-280



Series	Voltage	LH/ ISO 6	RH/ ISO 5	Easy Adapt	Strike plate	Type	Order No.
TV 50x with strike plate	24 V DC	●	–	–	Angle	TV 501	15150124
		–	●	–	Angle	TV 502	15150224
	–	●	–	–	Flat	TV 505	15150524
		–	●	–	Flat	TV 506	15150624
		●	–	●	Flat	TV 507	15150724
		–	●	●	Flat	TV 508	15150824
TV 50x without strike plate	24 V DC	●	–	–	–	TV 500-L	15150924
		–	●	–	–	TV 500-R	15150024
	12 V DC	●	–	–	–	TV 500-L	15150912
		–	●	–	–	TV 500-R	15150012
	24 V DC	●	–	●	–	TV 500-L Easy Adapt	15150974
		–	●	●	–	TV 500-R Easy Adapt	15150074
	12 V DC	●	–	●	–	TV 500-L Easy Adapt	15150972
		–	●	●	–	TV 500-R Easy Adapt	15150072
TV 510 without strike plate without armature contact	24 V DC	●	–	–	–	TV 510-L	15151924
		–	●	–	–	TV 510-R	15151024
	12 V DC	●	–	–	–	TV 510-L	15151912
		–	●	–	–	TV 510-R	15151012
TV 520 without strike plate without armature contact without monitor contact	24 V DC	●	–	–	–	TV 520-L	15152924
		–	●	–	–	TV 520-R	15152024
	12 V DC	●	–	–	–	TV 520-L	15152912
		–	●	–	–	TV 520-R	15152012
TV 530 without strike plate mounting upside down	24 V DC	●	–	–	–	TV 530-L	15153924
		–	●	–	–	TV 530-R	15153024
	12 V DC	●	–	–	–	TV 530-L	15153912
		–	●	–	–	TV 530-R	15153012

● = yes – = no

Accessories	Dimensions	LH/ ISO 6	RH/ ISO 5	Edges radiused	Type	Order No.
TV-Z 510	Forend 24 x 110 mm	–	–	–	TV-Z 510-24	15198124
Mortice latch lock	Forend 24 x 110 mm	–	–	●	TV-Z 510-24 R	15198224
	Forend 28 x 110 mm	–	–	–	TV-Z 510-28	15198128
	Forend 20 x 135 mm	–	–	–	TV-Z 510-20	15198120
	Flanged strike plate for	25 x 200 x 3 mm	●	–	–	FKM 505 25-200
TV 500	25 x 200 x 3 mm	–	●	–	FKM 506 25-200	15190506
TV 510	28 x 200 x 3 mm	●	–	–	FKM 505 28-200	16500000017
TV 520	28 x 200 x 3 mm	–	●	–	FKM 506 28-200	16500000018
	25 x 210 x 3 mm	●	–	●	FKR 505 25-210	16500000349
	25 x 210 x 3 mm	–	●	●	FKR 506 25-210	16500000350
	27 x 200 x 3 mm	●	–	●	FKR 505 27-200	16500000351
	27 x 200 x 3 mm	–	●	●	FKR 506 27-200	16500000352
Flanged strike plate	35 x 200 x 3 mm	●	–	–	FK 507 35-200	15190507
Easy Adapt for	35 x 200 x 3 mm	–	●	–	FK 508 35-200	15190508
TV 500	37 x 200 x 3 mm	●	–	●	FKR 507 37-200	16500000282
TV 510	37 x 200 x 3 mm	–	●	●	FKR 508 37-200	16500000281
TV 520	37 x 200 x 3 mm	●	–	● ¹⁾	FR 507 37-200	16500000347
	37 x 200 x 3 mm	–	●	● ¹⁾	FR 508 37-200	16500000346
Flanged strike plate for	25 x 279 x 2.5 mm	●	–	–	FLM 530-L	15190530
TV 530	25 x 279 x 2.5 mm	–	●	–	FLM 530-R	15190531

¹⁾ Two edges radiused

● = yes – = no

Specification text**DORMA TV 50x**

Door locking mechanism with integral monitor contacts for signalling active/inactive status.

Supplied with flanged strike plate and pack of fixings.

Maximum holding force in accordance with EltVTR with side-load-independent release

Model:

- with rebated strike plate 30 x 48 x 220 x 3 mm for Falztüren**
 - TV 501 ISO 6, 24 V DC
 - TV 502 ISO 5, 24 V DC

- with flanged strike plate 25 x 200 x 3 mm for flush-closing doors**
 - TV 505 ISO 6, 24 V DC
 - TV 506 ISO 5, 24 V DC

- with flanged strike plate 35 x 200 x 3 mm for latched model with flush-closing doors**
 - TV 507 ISO 6, 24 V DC
 - TV 508 ISO 5, 24 V DC

- without strike plate**
 - TV 500-L, ISO 6, 24 V DC
 - TV 500-R, ISO 5, 24 V DC

 - TV 500-L, ISO 6, 12 V DC
 - TV 500-R, ISO 5, 12 V DC

 - TV 500-L, ISO 6, Easy Adapt, 24 V DC
 - TV 500-R, ISO 5, Easy Adapt, 24 V DC

 - TV 500-L, ISO 6, Easy Adapt, 12 V DC
 - TV 500-R, ISO 5, Easy Adapt, 12 V DC

- without strike plate, without armature contact**
 - TV 510-L, ISO 6, 24 V DC
 - TV 510-R, ISO 5, 24 V DC

 - TV 510-L, ISO 6, 12 V DC
 - TV 510-R, ISO 5, 12 V DC

- without strike plate, without monitor contact, without armature contact**
 - TV 520-L, ISO 6, 24 V DC
 - TV 520-R, ISO 5, 24 V DC

 - TV 520-L, ISO 6, 12 V DC
 - TV 520-R, ISO 5, 12 V DC

- mounting upside down without strike plate**
 - TV 530-L, ISO 6, 24 V DC
 - TV 530-R, ISO 5, 24 V DC

 - TV 530-L, ISO 6, 12 V DC
 - TV 530-R, ISO 5, 12 V DC

Accessories**DORMA TV-Z 510**

Mortice latch lock, fixed in door leaf for interfacing with the TV 50x.

- Forend 24 x 110 x 3
- Forend 24 x 110 x 3, Edges radiused
- Forend 28 x 110 x 3
- Forend 20 x 135 x 3

Flanged strike plate for TV 50x door locking mechanism.

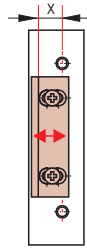
- | | |
|---|---|
| <input type="checkbox"/> FKM 505 25-200 | <input type="checkbox"/> FKM 506 25-200 |
| <input type="checkbox"/> FKM 505 28-200 | <input type="checkbox"/> FKM 506 28-200 |
| <input type="checkbox"/> FKR 505 25-210 | <input type="checkbox"/> FKR 506 25-210 |
| <input type="checkbox"/> FKR 505 27-200 | <input type="checkbox"/> FKR 506 27-200 |
| <input type="checkbox"/> FK 507 35-200 | <input type="checkbox"/> FK 508 35-200 |
| <input type="checkbox"/> FKR 507 35-200 | <input type="checkbox"/> FKR 508 35-200 |
| <input type="checkbox"/> FKR 507 37-200 | <input type="checkbox"/> FKR 508 37-200 |
| <input type="checkbox"/> FR 507 37-200 | <input type="checkbox"/> FR 508 37-200 |
| <input type="checkbox"/> FLM 530-L | <input type="checkbox"/> FLM 530-R |

Easy Adapt-TV500

Set to build up a latchguide TV500.
(see page 30)

Electric Strikes Series	Electric Strikes Series														
	Basic	Lucky Basic 448	Basic-Safe	Basic-Radius	Basic-Radius Safe	DES 72x	DES 731	Basic-Small	Smoke	Lucky Smoke 448	Fire 447	Lucky Fire 448	DES 300	DES 400	TV 5xx
Electric strikes keeper	●	●	●	●	●	-	-	●	●	●	●	●	-	-	-
Easy Adapt	●	●	●	-	-	-	-	-	●	●	●	●	-	-	-
Easy Adapt – TV 500	-	-	-	-	-	-	-	-	-	-	-	-	-	-	●
GL-Module (only DC variant)	-	●	-	-	-	-	-	-	-	●	-	●	-	-	-
Strike Prep 447	●	●	●	-	-	-	-	-	●	●	●	●	-	-	-
RK	●	●	●	●	●	●	●	●	●	●	●	●	●	●	●
TK 311	●	●	●	●	●	●	●	●	●	●	●	●	●	●	●
TK 304	●	●	●	●	●	●	●	●	●	●	●	●	●	●	●
TK 411	●	●	●	●	●	●	●	●	●	●	●	●	●	●	●
TK 404	●	●	●	●	●	●	●	●	●	●	●	●	●	●	●

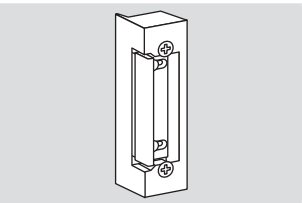
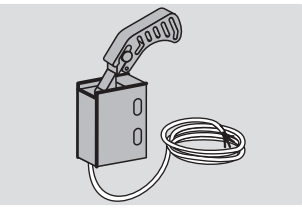
● = yes - = no





Electric strikes keeper

	X =	Basic	Basic-Radius	Basic-Small	Basic-Small S	Smoke	Fire 447	Order No.
Basic-AE K50 	5.7 – 9.7 mm	○	-	-	-	○	○	16500000111
Basic-AE K60 	4.7 – 8.7 mm	○	-	-	-	-	-	16500000112
Basic-R K50 	6.2 – 8.2 mm	-	○	-	-	-	-	16500000114
Basic-S K50 	5.7 – 9.7 mm	-	-	○	-	-	-	16500000113
Basic-R K33 	9.2 – 11.2 mm	-	●	-	-	-	-	15110506
Basic-R K30 	6.2 – 8.2 mm	-	●	-	-	-	-	15110406
Basic-R K40 	6.2 – 8.2 mm	-	●	-	-	-	-	15110606
BasicK10 	7.7 – 10.7 mm	○	-	-	-	-	-	16500000115

● = Electric strike, complete Type E, 6–12 V AC/DC - = no ○ = Accessories, optional

	Specification text	Order No.
	<p>Easy Adapt Electric strike casing cover with latch guide for upgrading DORMA electric strikes as latch-guided units. Suitable for electric strikes of the series Basic, Basic-Safe, Smoke and Fire 447 and the functional versions "Mechanical deactivation" and "Monitoring contact". Tolerance compensation is effected using the adjustable latch of the electric strike.</p> <p>Integrated cable conduit for fixing the connection wires to the casing cover with the aid of an adhesive strip included in the pack.</p> <p>Dimensions: approx. 3.6 x 76 x 31.6 mm</p>	15198010
	<p>Easy Adapt-TV500 Electric strike casing cover with latch guide for upgrading TV500 as latch-guided units. Suitable for TV500, TV510, TV520. Tolerance compensation is effected using the adjustable latch of the TV500.</p> <p>For use LH and RH.</p> <p>Dimensions: approx. 68 x 20 x 10mm</p>	15198011
	<p>GL Module Rectifiers - Module for use with an DC voltage electric strike in combination with AC voltage</p> <p>Input - voltage: 12V – 24 V AC output - voltage: 12V – 24 V DC Current: max. 700mA</p>	15199001
	<p>Strike Prep 447 Dummy electric strike. Symmetrical insert for preparation of installation and subsequent retrofitting of electric strikes.</p> <p>With adjustable latch, non-handed, suitable for both over-rebated and flush-closing doors.</p> <p>Dimensions: 76 x 20 x 18.5 mm</p>	15147000
	<p>RK bolt locking contact VDS class C no. G 193 082 with a potential free change-over contact for monitoring of the door locking.</p> <p>Degree of protection: IP 68 Connection cable: 4 m LIYY 3 x 0.14 mm², Switching power: 30 V DC, 200 mA</p>	15198000

	Specification text	Order No.
	<p>TK 311 / TK 411 Electromechanical door contact for monitoring the opening of doors. The spring-mounted ball is operated mechanically when the door is closed and thus ensures that the contact operates very reliably. Floating (no-volt) changeover contact, incl. 4 m connection cable (TK 411 only) Contact rating: 5 A/30 V Colour: white Forend dimensions (W x H x D): approx. 22.5 x 42 mm Dimensions of base section (O x D): approx. 20 x 25 mm</p>	
	<input type="checkbox"/> TK 311 square forend	15198311
	<input type="checkbox"/> TK 311-R rounded edges	15198321
	<input type="checkbox"/> TV 411 square forend, 4m connection cable included	15198411
	<input type="checkbox"/> TV 411-R rounded edges, 4m connection cable included	15198421
	<p>TK 304 / TK 404 Electromechanical door contact for monitoring the opening of doors. The spring-mounted ball is operated mechanically when the door is closed and thus ensures that the contact operates very reliably. You may adjust the contact inside the forend (adjustment range: 13 mm) Floating (no-volt) changeover contact, incl. 4 m connection cable (TK 404 only) Contact rating: 5 A/30 V Colour: metal-coloured Forend dimensions (W x H x D): approx. 23 x 42 mm Dimensions of base section (O x D): approx. 18 x 33 mm</p>	
	<input type="checkbox"/> TK 304 square forend	15198304
	<input type="checkbox"/> TK 404 square forend, 4m connection cable included	15198404

ES SERIES ELECTRIC STRIKES

The ES Series electric strikes ensure door security in private, public and commercial premises, are suitable for use with many different locks and door types and are available in all conventional operating voltages. Whether for standard doors, fire and smoke check doors or for doors in emergency and escape routes, you will be able to find the right model to match your particular requirements - all quality - assured by DORMA.

ES61 Electric Strike

The architecturally attractive ES61 features a hazard-free radius design. This stainless steel strike is designed especially to

operate with rim exit devices and accommodates hollow metal, aluminum and wood doors.

ES62 Electric Strike

This rim electric strike is completely surface mounted, eliminating frame cutting. The one piece conventional keeper design promotes even load distribution in the event of attempted forced entry.

ES62F Electric Strike

Designed especially to operate with rim exit devices, this 3-hour fire rated, rugged stainless steel strike accommodates hollow metal, aluminum, and wood doors.

ES72F Electric Strike

Designed for heavy-duty applications requiring fire-rated electric strikes this unique anti-vibration design prevents manipulation by vibration. The ES72F is reliable, durable and economical.

ES74F & ES79F Electric Strikes

Ideal for fire-rated and heavy-duty applications these strikes are designed features a saddle-mounted housing, and a tamper-resistant guard for increased strength and durability.

ES84 & ES86 Electric Strike

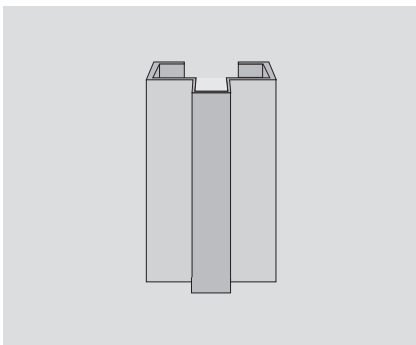
All-In-One centerline latch entry electric strike provides standard

features that include a multi voltage single solenoid, selectable lock mode, horizontal adjustment, and plug-in wire connectors. Installation is fast and easy and distributors can cut their strike inventory because this one strike does it all.

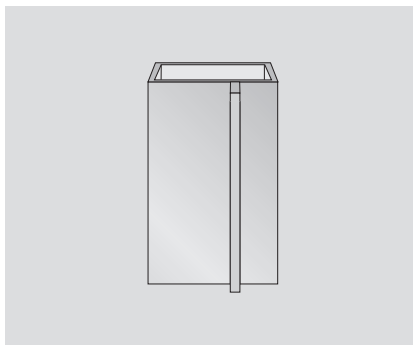
ES96F Electric Strike

Fire-rated offset and centerline latch entry electric strike combines strength and convenience in an attractive design.

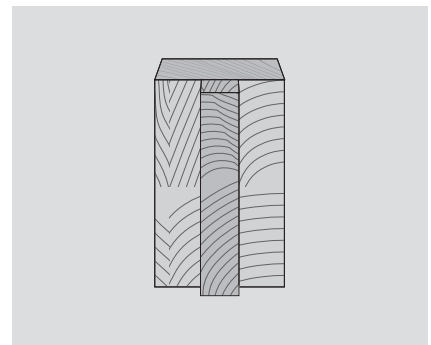
Door Frame Type



Hollow Metal

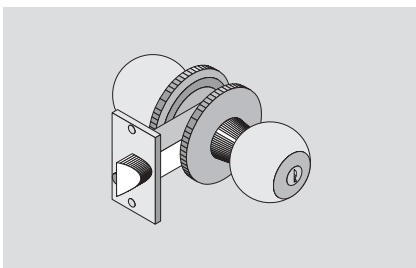


Aluminum

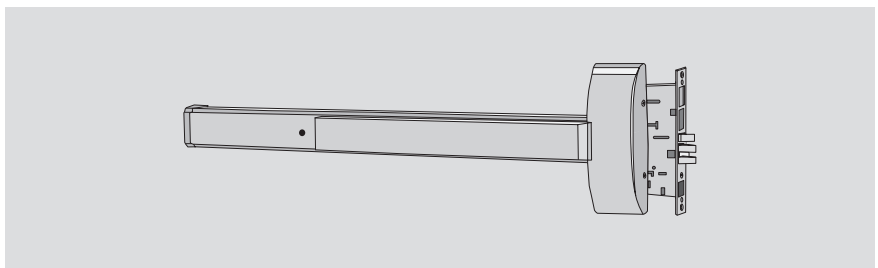


Wood

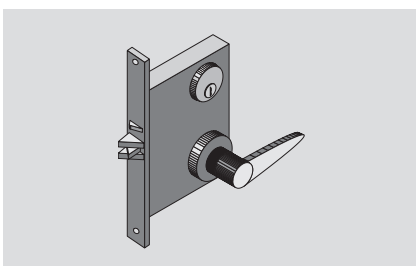
Door Lock Type



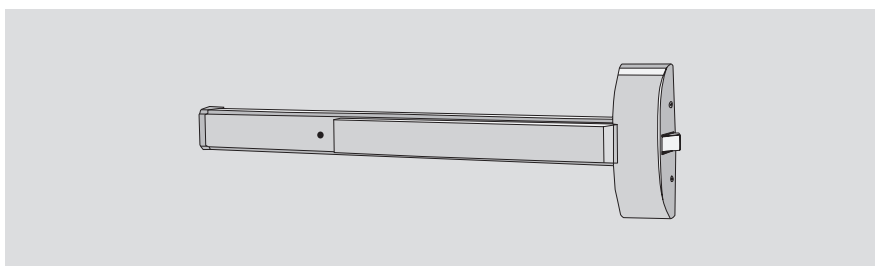
Cylindrical



Mortise Exit Device



Mortise



Rim Exit Device

Data and features

	ES 61	ES 62	ES 62F	ES 72F	ES74F	ES79F	ES84	ES 86	ES 96F
Functions									
Surface mounted	–	●	●	–	–	–	–	–	–
Non handed	●	●	●	●	●	●	●	●	●
Fail secure	●	●	●	●	●	●	–	–	●
Fail safe / fail secure Field selectable	–	–	–	–	–	–	●	●	–
Monitor switch	–	–	–	–	–	–	○	○	–
Door lock type									
Cylindrical	–	–	–	●	●	●	●	–	●
Mortice	–	–	–	●	●	●	–	●	●
Mortice exit device	–	–	–	●	●	●	–	●	●
Rim exit device	●	●	●	–	–	–	–	–	–
Door frame type									
Hollow metal	●	●	●	●	●	●	●	●	●
Aluminium	●	●	●	●	●	●	●	–	●
Wood	●	●	●	–	–	●	●	●	●
Voltage									
12V ac/dc	●	–	–	●	●	●	●	●	●
24V ac/dc	●	–	–	●	●	●	●	●	●
12V / 24v field selectable	–	●	●	–	–	–	–	–	–
Listing									
Ansi / bhma 156.31 Grade 1 pending	●	●	●	●	●	●	●	●	●
UL/cul listing	●	●	●	●	●	●	●	●	●
Fire rated	–	–	●	●	●	●	–	–	●

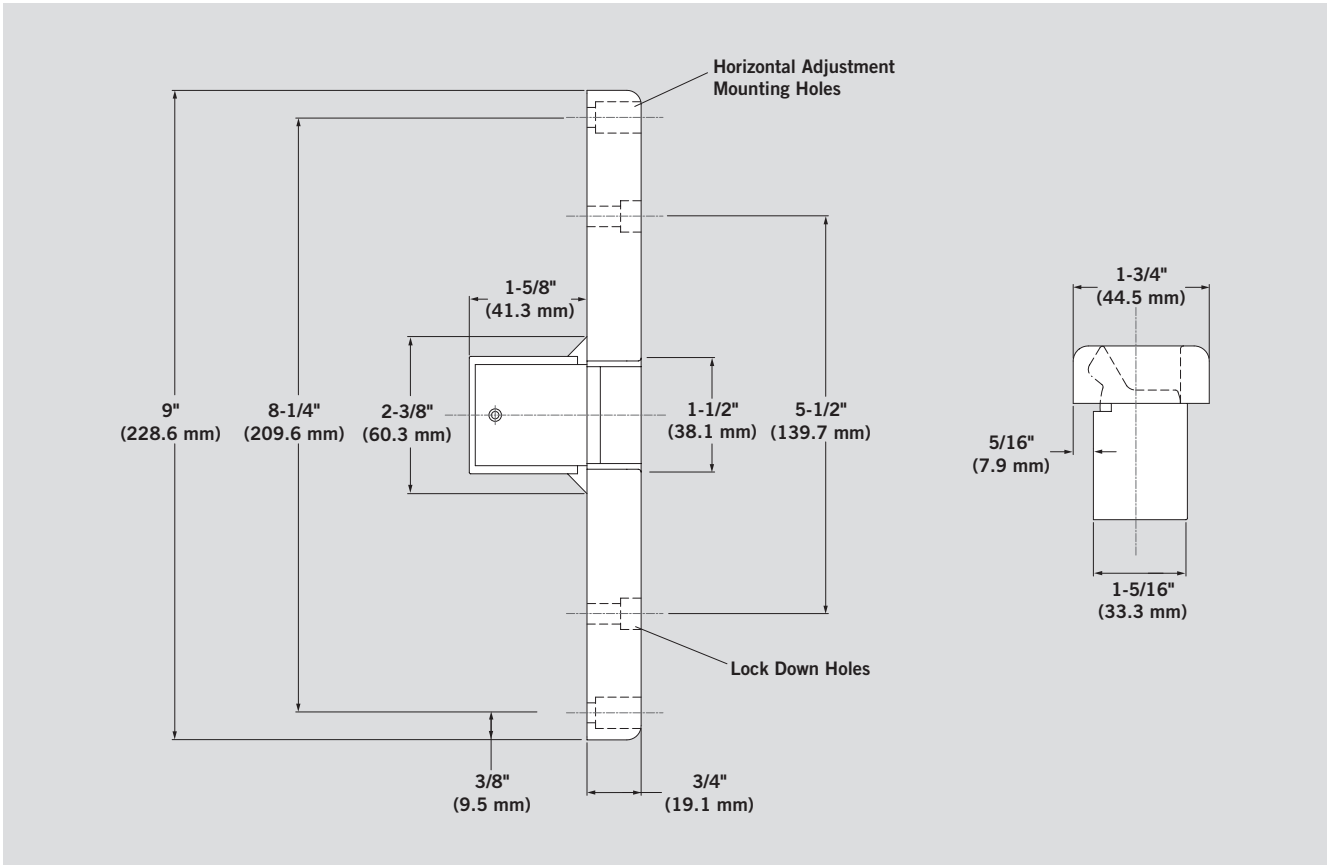
● = yes – = no ○ = option

Series	Mode	Operating voltage	Duty	Sound	Amps	Ohms
ES 61 F	Fail secure	12 V AC	Intermittent	Buzz	150 mA	61 Ω
		12 V DC	Continuous	Silent	200 mA	61 Ω
		24 V AC	Intermittent	Buzz	70 mA	215 Ω
		24 V DC	Continuous	Silent	110 mA	215 Ω
ES 62 / ES 62 F	Fail secure	12 V AC	Intermittent	Buzz	330 mA	22 Ω
		12 V DC	Continuous	Silent	500 mA	22 Ω
		24 V AC	Intermittent	Buzz	640 mA	22 Ω
		24 V DC	Continuous	Silent	240 mA	89 Ω
		11 V AC	Intermittent	Buzz	320 mA	22 Ω
		11 V DC	Intermittent	Buzz	500 mA	22 Ω
ES 72 F	Fail secure	12 V AC	Intermittent	Buzz	150 mA	61 Ω
		12 V DC	Continuous	Silent	200 mA	61 Ω
		24 V AC	Intermittent	Buzz	70 mA	215 Ω
		24 V DC	Continuous	Silent	110 mA	215 Ω
ES 74 F / ES 79 F	Fail secure	12 V AC	Intermittent	Buzz	280 mA	37 Ω
		12 V DC	Continuous	Silent	375 mA	37 Ω
		24 V AC	Intermittent	Buzz	565 mA	37 Ω
		24 V DC	Continuous	Silent	190 mA	148 Ω
ES 84 F / ES 86	Fail secure	12 V AC	Intermittent	Buzz	280 mA	37 Ω
	Field selectable	12 V DC	Continuous	Silent	375 mA	37 Ω
	Fail secure	24 V AC	Intermittent	Buzz	565 mA	37 Ω
	Field selectable	24 V DC	Continuous	Silent	190 mA	148 Ω
ES 96 F	Fail secure	12 V AC	Intermittent	Buzz	280 mA	37 Ω
		12 V DC	Continuous	Silent	375 mA	37 Ω
		24 V AC	Intermittent	Buzz	565 mA	37 Ω
		24 V DC	Continuous	Silent	190 mA	148 Ω

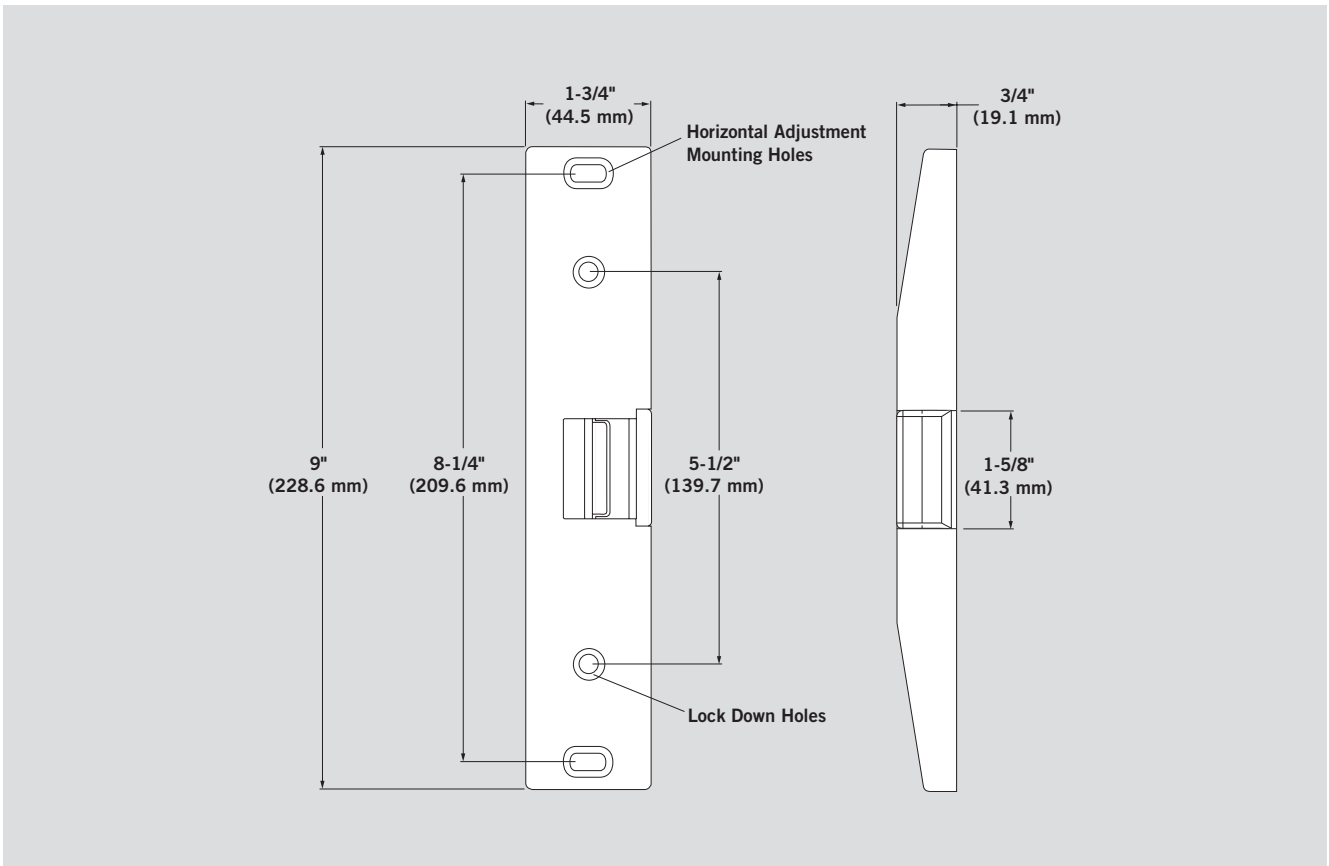
* Intermittent duty = energized less than 1 minute with duty ratio 1:5

Continuous duty = energized 1 minute or more

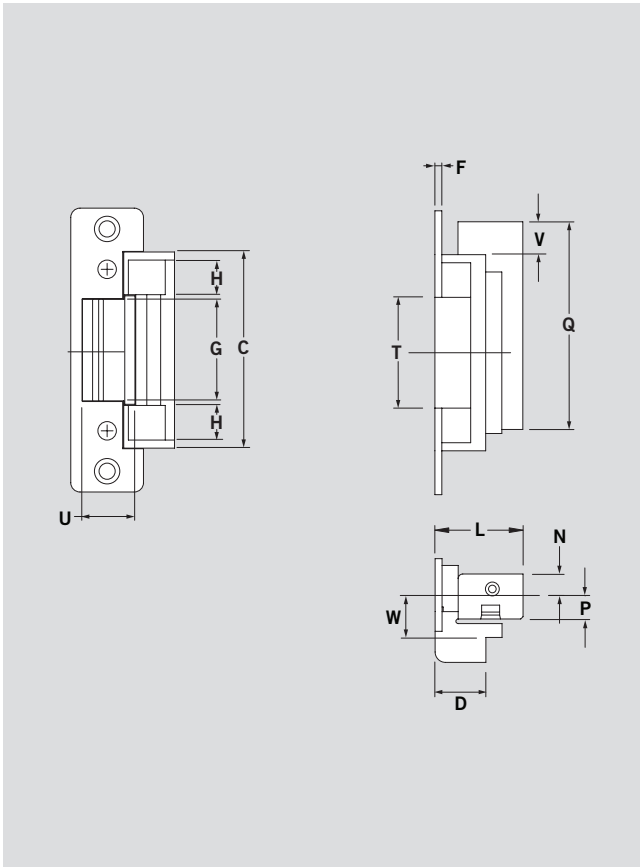
ES 61



ES 62 / ES 62 F

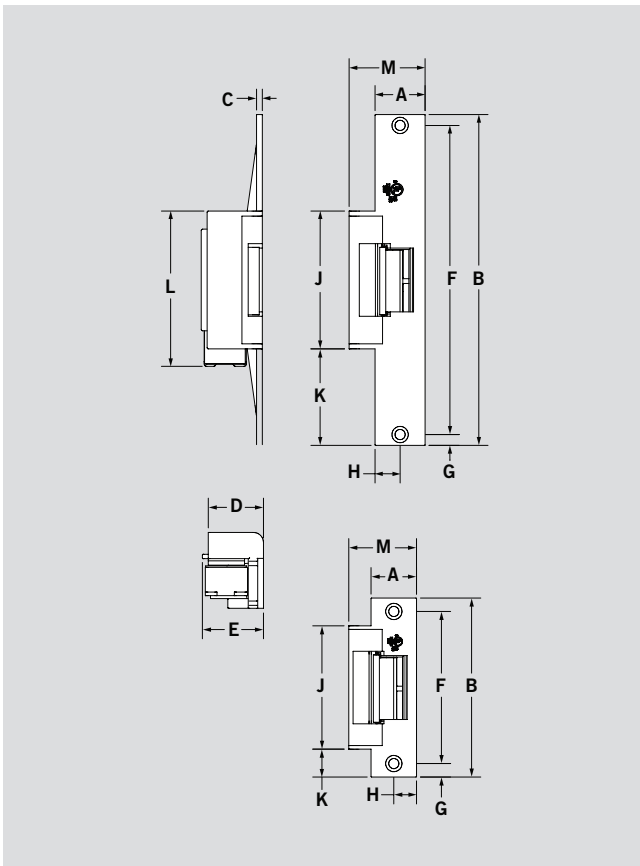


ES 72F



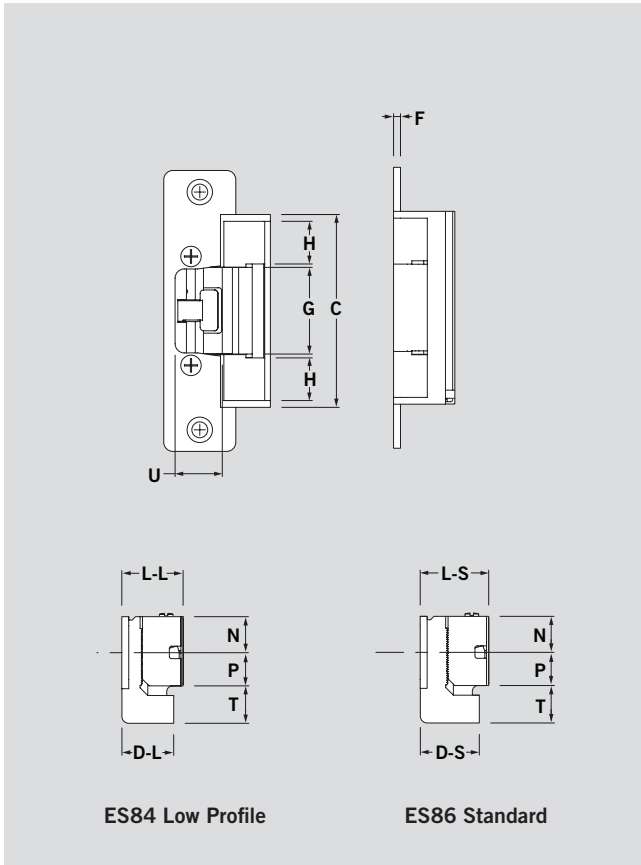
Dimensions	ES72F
C	3-3/8" (85.7 mm)
D	7/8" (22.2 mm)
F	1/8" (3.2 mm)
G	1-3/4" (44.5 mm)
H	9/16" (14.3 mm)
L	1-1/2" (38.1 mm)
N	13/32" (10.3 mm)
P	13/32" (10.3 mm)
Q	3-5/8" (92.1 mm)
T	1-7/8" (47.6 mm)
U	15/16" (23.8 mm)
V	17/32" (13.5 mm)
W	3/4" (19.1 mm)

ES74F / ES79F



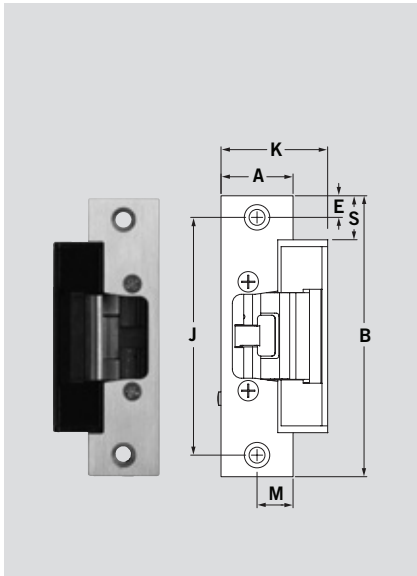
Dimensions	ES74F	ES79F
A	1-1/4" (31.3 mm)	1-3/8" (34.9 mm)
B	4-7/8" (123.3 mm)	9" (228.6 mm)
C	1/8" (3.2 mm)	3/16" (4.8 mm)
D	1-1/2" (38.1 mm)	1-1/2" (38.1 mm)
E	1-5/8" (41.3 mm)	1-5/8" (41.3 mm)
F	4-1/8" (104.8 mm)	8-3/8" (212.7 mm)
G	3/8" (9.5 mm)	5/16" (7.9 mm)
H	5/8" (15.9 mm)	11/16" (17.5 mm)
J	3-3/8" (85.7 mm)	3-3/4" (95.3 mm)
K	3/4" (19.1 mm)	2-5/8" (66.7 mm)
L	4" (101.6 mm)	4-3/16" (106.3 mm)
M	1-13/16" (46.0 mm)	2-1/16" (52.4 mm)

ES 84 / ES 86

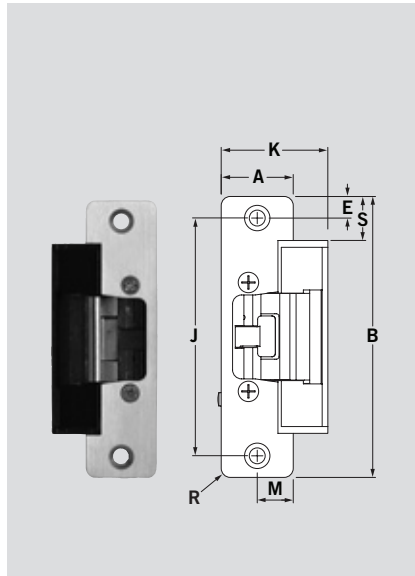


Dimensions	ES84	ES86
C	3-11/32" (84.9 mm)	3-11/32" (84.9 mm)
D-S	N/A	1-5/32" (29.4 mm)
D-L	1-1/16" (27 mm)	N/A
F	1/8" (3.2 mm)	1/8" (3.2 mm)
G	1-1/2" (38.0 mm)	1-1/2" (38.1 mm)
H	47/64" (18.7 mm)	47/64" (18.7 mm)
L-S	N/A	1-3/16" (30.2 mm)
L-L	1-1/16" (27 mm)	N/A
N	5/8" (15.9 mm)	5/8" (15.9 mm)
P	37/64" (14.7 mm)	37/64" (14.7 mm)
T	Default 21/32" (16.7 mm) Min 1/2" (12.7 mm) Max 49/64" (19.5 mm)	Default 21/32" (16.7 mm) Min 1/2" (12.7 mm) Max 49/64" (19.5 mm)
U	Default 13/16" (20.6 mm) Min 45/64" (17.9 mm) Max 31/32" (24.6 mm)	Default 13/16" (20.6 mm) Min 45/64" (17.9 mm) Max 31/32" (24.6 mm)

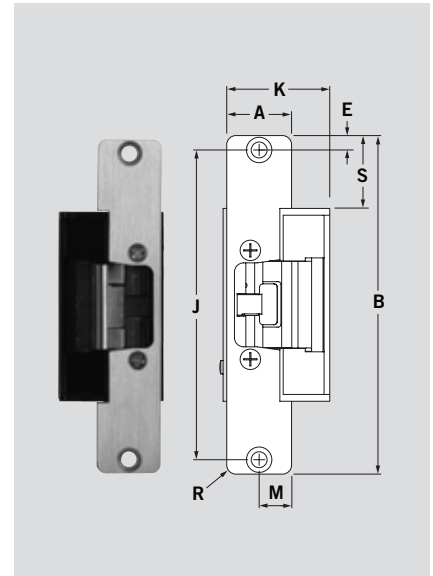
Strike Plate Options (ES86 shown)



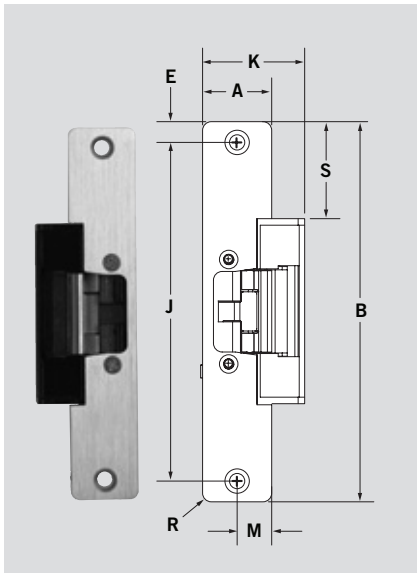
S4S Hollow Metal Strike Plate



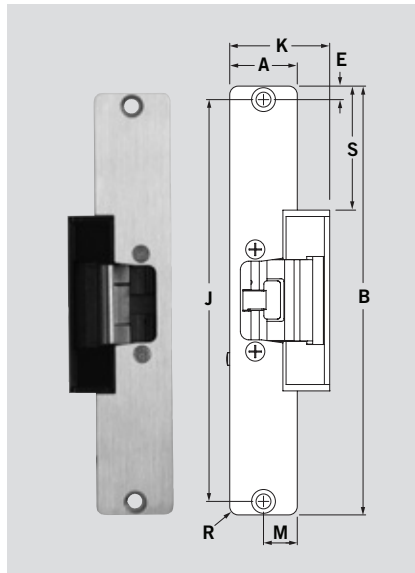
S4 Aluminum Strike Plate



S5 Aluminum or Wood Strike Plate



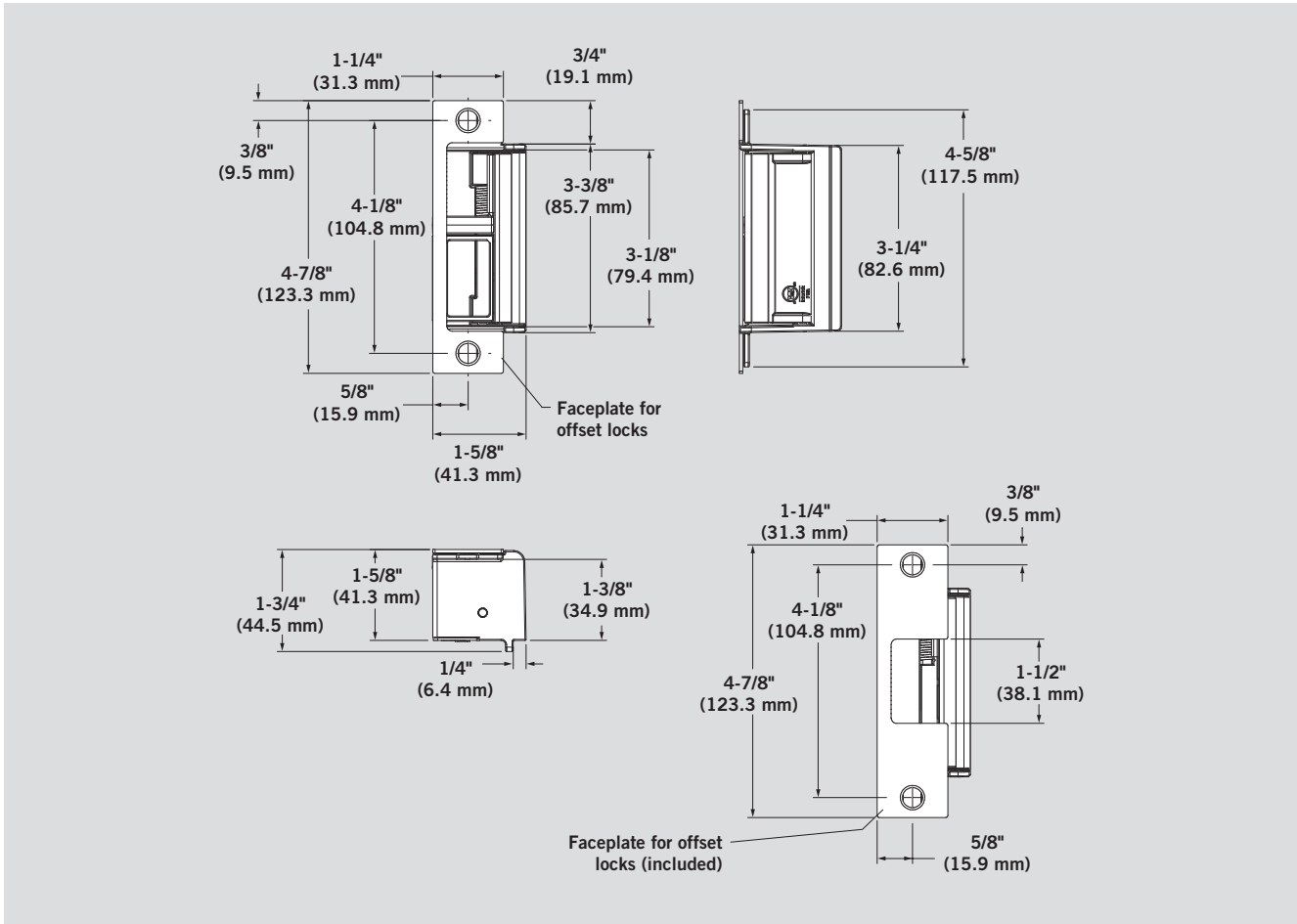
S6 Aluminum or Wood Strike Plate



S7 Aluminum or Wood Strike Plate

Dimensions	S4S	S4	S5	S6	S7
A	1-1/4" (31.8 mm)	1-1/4" (31.8 mm)	1-1/8" (28.6 mm)	1-1/4" (31.8 mm)	1-7/16" (36.5 mm)
B	4-7/8" (123.8 mm)	4-7/8" (123.8 mm)	5-7/8" (149.2 mm)	6-7/8" (174.6 mm)	7-15/16" (201.6 mm)
E	3/8" (9.5 mm)	3/8" (9.5 mm)	1/4" (6.4 mm)	3/8" (9.5 mm)	1/4" (6.4 mm)
J	4-1/8" (104.8 mm)	4-1/8" (104.8 mm)	5-3/8" (136.5 mm)	6-1/8" (155.6 mm)	7-7/16" (188.9 mm)
K	1-27/32" (46.8 mm)	1-27/32" (46.8 mm)	1-25/32" (45.3 mm)	1-51/64" (45.6 mm)	1-15/16" (49.26 mm)
M	5/8" (15.9 mm)	5/8" (15.9 mm)	35/64" (13.9 mm)	5/8" (15.9 mm)	23/32" (18.3 mm)
R	N/A	5/32" (4 mm)	5/32" (4 mm)	5/32" (4 mm)	5/32" (4 mm)
S	49/64" (19.5 mm)	49/64" (19.5 mm)	1-17/64" (32.2 mm)	1-49/64" (44.9 mm)	2-9/32" (57.9 mm)

ES 96F



ES61



The architecturally attractive ES61 electric strikes feature a hazard-free radius design.

This stainless steel strike is designed especially to operate with rim exit devices and accommodates hollow metal, aluminum, and wood doors. Slotted horizontal holes on the ES61 faceplate allow correct alignment with the exit device

before final installation. Locking socket Allen head cap screws prevent loosening and misalignment which can occur with continual door usage. Crossed wires are never a problem, as the coil is not polarity-conscious.

Solutions

- 1000 lb (455 kg) holding force
- Accommodates rim exit devices with pullman latch projections from 1/2" to 3/4" (12.7 mm to 19.1 mm)
- The 1-5/8" deep electrical insert* may be horizontally adjusted after final installation to correct door misalignments without altering the original faceplate location
- AC or DC input acceptable to all models
- Non-handed
- 630 stainless steel finish

Listings & Approvals

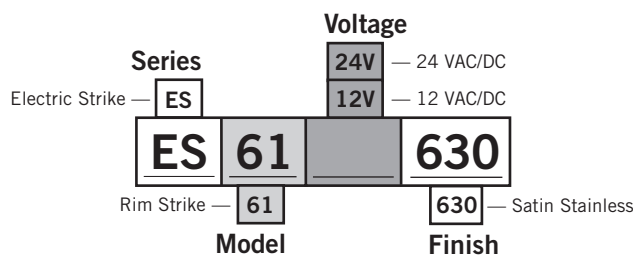
- UL/CUL listed under their continuing reinspection programs and conforms to standards UL 1034 and CVXY for burglary resistant electric door strikes
- ANSI/BHMA 156.31, Grade 1 pending
- CSFM pending
- Contributes to U.S. Green Building Council, LEED® MR Credits 2.1, 4.1, 4.2, and 5.1

Options & Accessories

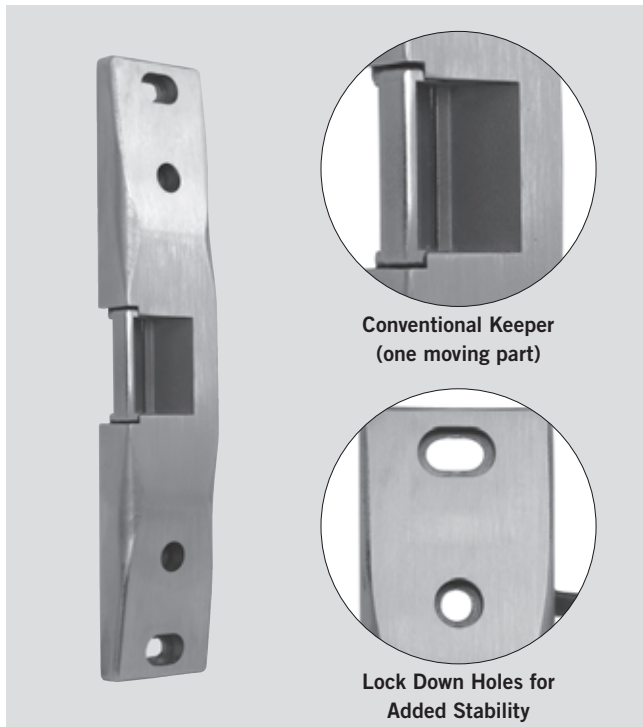
- **61DPH**
Double door housing

*A minimum frame depth of 1-5/8" for surface-mounted installations.

How to Order ES61 Series



ES62, ES62F



The ES62 / ES62F rim electric strikes are completely surface mounted, eliminating frame cutting.

Designed especially to operate with rim exit devices, this rugged stainless steel strike accommodates hollow metal, aluminum, and wood doors. The one piece conventional keeper design promotes even load distribution in the event of

attempted forced entry. The heavy-duty housing of the ES62F is reinforced to eliminate twisting in the case of imperfect frames. The smooth radiused corners are esthetically pleasing, while reducing personal injury due to catch hazards.

Solutions

- 1500 lb (680 kg) holding force
- No frame cutting required – surface mounted
- Conventional keeper design – promotes even load distribution
- Higher grade stainless steel ensures superior keeper strength
- Compatible with most exit devices
- Accommodates exit devices with latch projections from 1/2" to 3/4" (12.7 mm to 19.1 mm)
- Ensures proper latch alignment with horizontal adjustment up to 1/4" (6.4 mm) to compensate for door misalignments
- Field selectable voltage input – 12 or 24 V DC, 12 to 24 V AC, 11 to 16 V AC
- Horizontal solenoid prevents manipulation from the vibration
- Modular plug-in wire connectors for fast hook-up
- 630 stainless steel finish
- Non-handed

- Allen head cap screws for added support and tamper-resistance
- Mounting spacer include to provide enhance to latch engagement

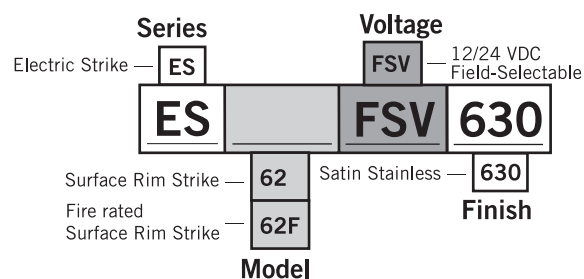
Listings & Approvals

- UL/CUL listed under their continuing reinspection programs and conforms to standards UL 1034 and CVXY for burglary resistant electric door strikes.
- ES62F conforms to UL10C GXAY for positive pressure fire testing, 3 hour rated
- ANSI/BHMA 156.31, Grade 1 pending
- CSFM pending
- Contributes to U.S. Green Building Council, LEED® MR Credits 2.1, 4.1, 4.2, and 5.1

Options & Accessories

- **62DPH**
Double door housing
- **MSK62**
Mounting spacer kit
1/16" (1.5 mm)
(Additional spacer included)

How to Order ES62 Series



ES72F



The ES72F Series is the answer for heavy-duty applications requiring fire-rated electric strikes.

The unique anti-vibration design of these commercial duty strikes prevents manipulation by vibration. For use with centerline mortise exit devices, cylindrical

locks, or centerline mortise locks, the ES72F has earned its reputation as a durable, reliable, and economical means of controlling access.

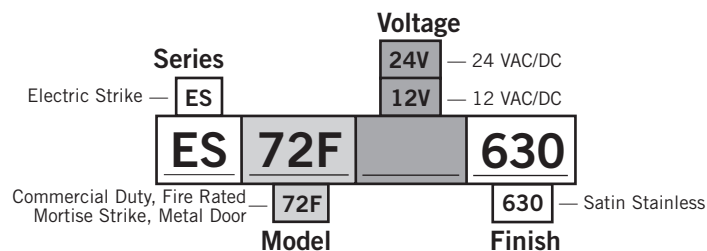
Solutions

- 1500 lb (680 kg) holding force
- ANSI-size faceplate (1-1/4" x 4-7/8")
- Accommodates 3/4" latch projections (pullman design not included)
- Conventional keeper design – promotes even load distribution
- Enlarged latch cavity width allows compatibility with cylindrical and centerline mortise locks (including 3-piece anti-friction type) and mortise exit devices
- 1-1/2" cut-out depth accommodates most aluminum and hollow metal frames
- For use with wide range of door thicknesses (1-3/8" to 2-3/8")
- AC/DC input acceptable for all fail locked models.
- Non-handed
- Standard mounting tabs and fasteners included
- Unique anti-vibration design prevents manipulation
- Available in 12 V or 24 V
- 630 stainless steel finish

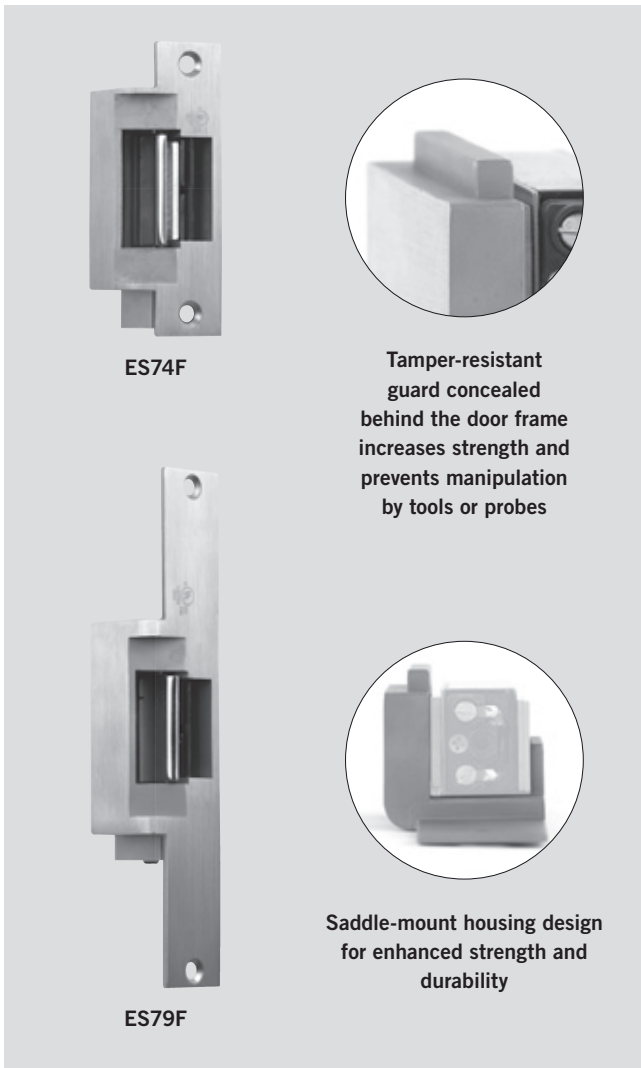
Listings & Approvals

- UL/CUL listed under their continuing reinspection programs and conforms to standards UL 1034 and CVXY for burglary resistant electric door strikes, UL10C GXAY for positive pressure fire testing, 3 hour rated
- ANSI/BHMA 156.31, Grade 1 pending
- CSFM pending
- Contributes to U.S. Green Building Council, LEED® MR Credits 2.1, 4.1, 4.2, and 5.1

How to Order ES72F Series



ES74F, ES79F



The ES74F & ES79F electric strikes are ideal for fire-rated or heavy-duty applications.

The ES74F and ES79F electric strikes are designed with a unique built-in anti-vibration feature, a saddle-mounted housing, and a tamper-resistant

guard for increased strength and durability. Crossed wires are never a problem, as the coil is not polarity-conscious.

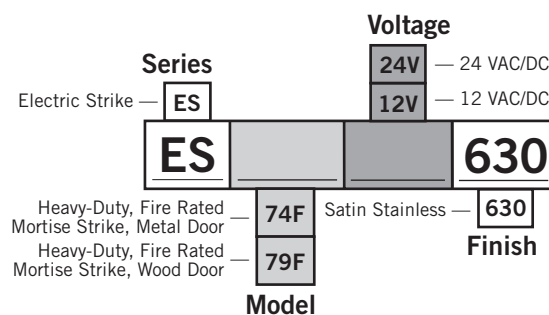
Solutions

- 1500 lb (680 kg) holding force
- Accommodates 1/2" (12.7 mm), 5/8" (15.9 mm), or 3/4" (19.1 mm) latch projection (pullman design not included)
- Horizontal adjustment (up to 1/4" or 6.4 mm) relieves side-load pressure, ensuring proper latch alignment
- Saddle-mount housing design for enhanced strength and durability
- Unique anti-vibration design prevents manipulation
- Tamper-resistant guard concealed behind the door frame increases strength and prevents manipulation by tool attack
- Heavy-duty solid cast stainless steel housing design
- Energy efficient coil design
- Dual monitor switch (optional)
- Modular plug-in wire connectors for fast hook-up
- Internally mounted solenoid for easier installation
- Non-handed
- Standard mounting tabs, shims, and fasteners included
- 630 stainless steel finish

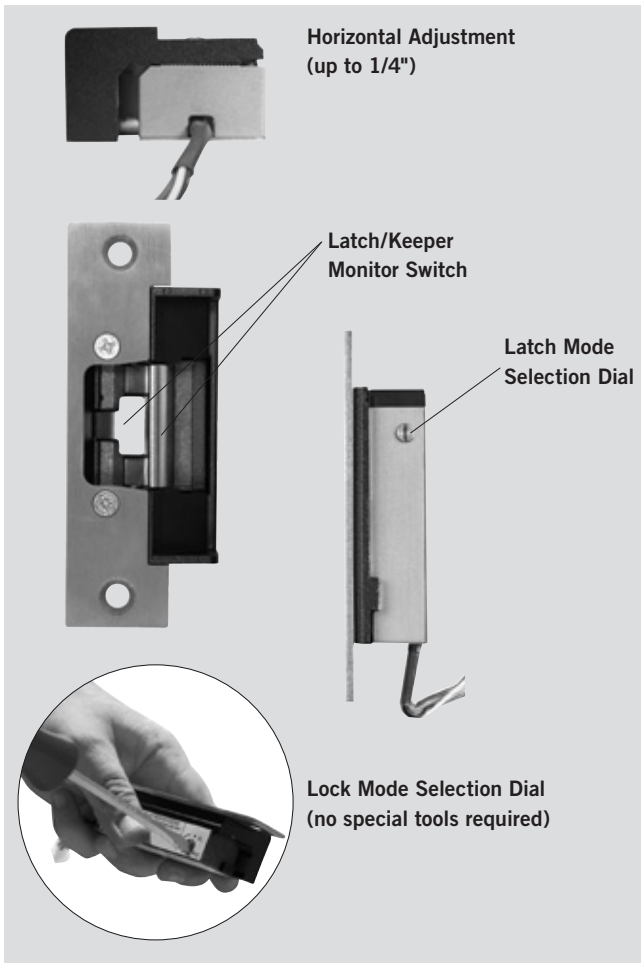
Listings & Approvals

- UL/CUL listed under their continuing reinspection programs and conforms to standards UL 1034 and CVXY for burglary resistant electric door strikes, UL10C GXAY for positive pressure fire testing, 3 hour rated
- ANSI/BHMA 156.31, Grade 1 pending
- CSFM pending
- Contributes to U.S. Green Building Council, LEED® MR Credits 2.1 4.1, 4.2, and 5.1

How to Order ES74F/ES79F Series



ES84, ES86



The EES84 & ES86 all-in-one centerline latch entry electric strikes combine several requested key features.

Standard features include a multi voltage single solenoid, selectable lock mode (no tools necessary), horizontal adjustment, and plug-in wire connectors. An optional monitor switch is also available. The ES84 low profile version accepts 1/2" or 5/8" latch projection (perfect for narrow

stile aluminum frames).

The ES86 standard version is ideal when you require 3/4" latch projection.

Not only will installations be faster and easier, distributors and installers can cut their strike inventory significantly, because one strike does it all.

Solutions

- 1500 lb (680 kg) holding force
- Field selectable lock mode – choose fail secured or fail safe with the turn of a dial (fail safe mode requires DC voltage)
- Field selectable voltage input – accommodates 12 or 24 V DC and 12 to 24 V AC (even 16 V AC) in one strike
- 1/4" horizontal adjustment
- Dual monitor switch (optional)
- Modular plug-in wire connectors for fast hook-up
- Modular faceplate designs for a variety of frame types and cut outs
- 1-3/16" (ES86), 1-1/16" (ES84) frame depth
- Universal strike kit includes 3 faceplates – S4, S4S, S7
- 630 stainless steel faceplate
- Non-handed
- Trim plate included

Listings & Approvals

- UL/CUL listed under their continuing reinspection programs and conforms to standards UL 1034 and CVXY for burglary resistant electric door strikes
- ANSI/BHMA 156.31, Grade 1 pending
- CSFM pending
- Contributes to U.S. Green Building Council, LEED® MR Credits 2.1, 4.1, 4.2, and 5.1

Options & Accessories

- **LKM**
Latch/keeper monitor switch (status)
- **84LE1/2/3 & 86LE1/2/3**
Low or standard profile lip extension kit for retrofit (specify 1, 2, 3)
- **84JIG/86JIG**
Low or standard profile frame prep jig
- **84HK/86HK**
Standard strike mounting hardware kit
- **86LG**
High profile latch guard
- **84TPS**
Low profile trim plate, 5 pack
- **86TPS**
Standard profile trim plate, 5 pack

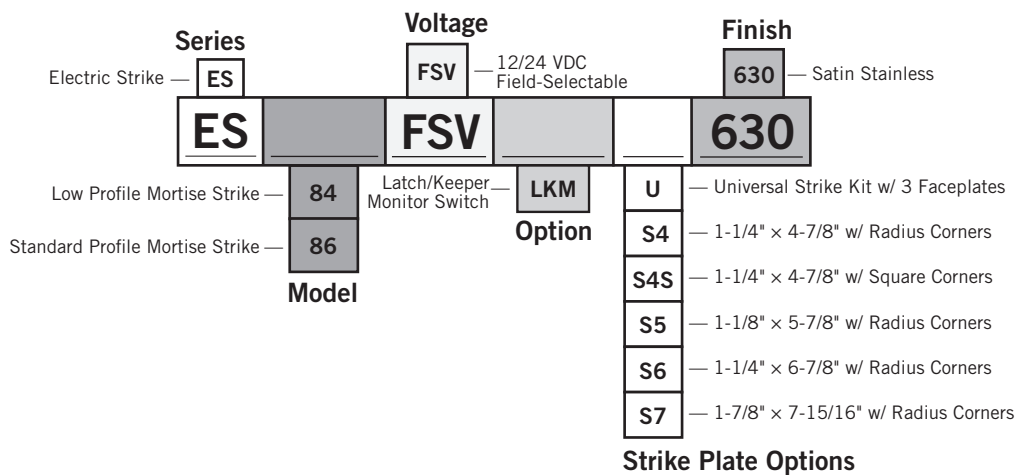


ES86U standard profile & ES84U low profile with universal strike kit

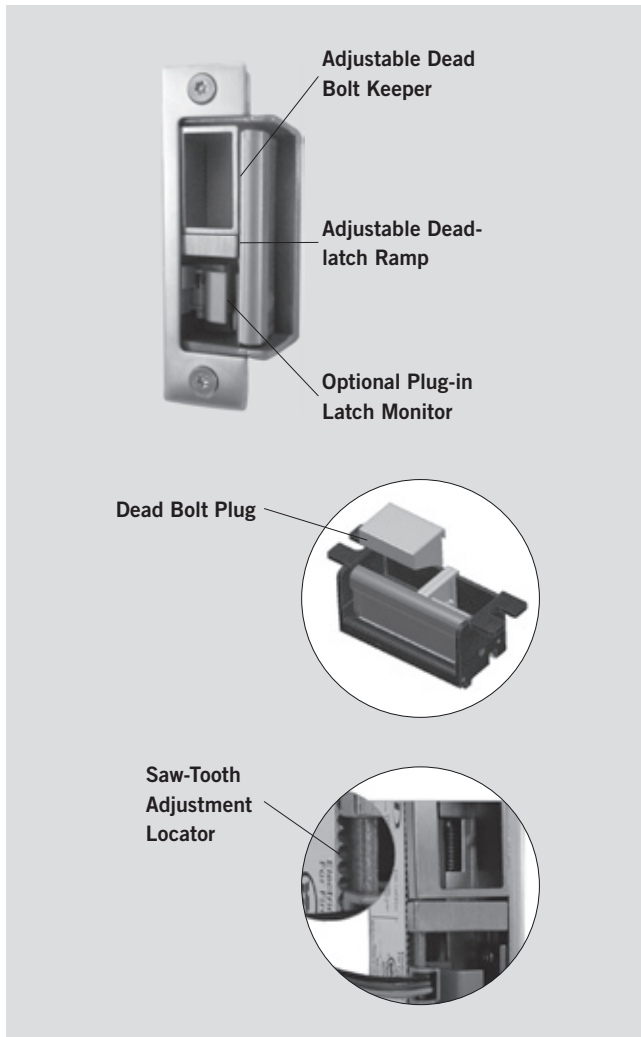
Includes 3 faceplates

- **S4**
1-1/4" × 4-7/8" ANSI round corner (aluminum frames)
- **S4S**
1-1/4" × 4-7/8" ANSI square corner (hollow metal frames)
- **S7**
1-7/16" × 7-15/16" ANSI round corner (aluminum or wood frames)

How to Order ES84/ES86 Series



ES96F



The ES96F fire-rated offset and centerline latch entry electric strike combines strength and convenience in an attractive design.

The unique saw-tooth adjustment locator design of the ES96F allows the installer to move the dead bolt keeper, or plug and deadlatch ramp vertically to align with a wide variety of mortise locks with offset latches. There is no need to order special faceplates – the strike can be adjusted to work with any mortise lock. Everything needed is in the box, including a separate faceplate for centerline latch entry.

For easy installation, the strike's shim design adjusts vertically on the keeper to align with any latch location, providing up to 1/8" horizontal adjustment. Also included are a trim plate for inconsistent frame cuts, a hands-free adhesive backed template, and all the needed drivers to install the strike. The plug-in latch monitor switch option can be added in the field if monitoring is specified after installation.

Solutions

- 1500 lb (680 kg) holding force
- Modular design allows compatibility with most locks without having to order special faceplates
- Adjustable dead bolt keeper and deadlatch ramp
- Accommodates 3/4" (19.1 mm) latch projection
- Horizontal adjustment (up to 1/4" or 6.4 mm) relieves side-load pressure, ensuring proper latch alignment
- Faceplate included for centerline latch entry
- Unique sliding shim design for up to 1/8" (3.2 mm) horizontal adjustment for misaligned frames
- Vertical adjustability of strike for precise positioning of lockset
- Accommodates up to 1" dead bolt*
- Field-selectable voltage input—12 or 24 V DC or 12–24 V AC
- Anti-tamper security screws
- All installation drivers included
- Optional latch monitor kit
- Low current draw (0.19 A/24 V DC)
- Plug-in wire connector
- Trim plate included
- Non-handed
- 630 stainless steel finish

Listings & Approvals

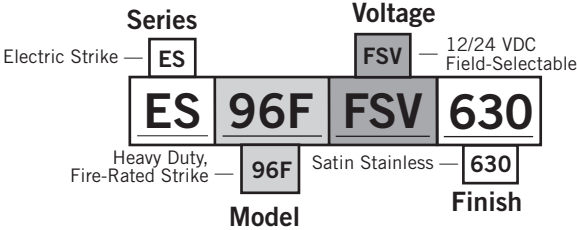
- UL/CUL listed under their continuing reinspection programs and conforms to standards UL 1034 and CVXY for burglary resistant electric door strikes, UL10C GXAY for positive pressure fire testing, 3 hour rated
- ANSI/BHMA 156.31, Grade 1 pending
- CSFM pending
- Contributes to U.S. Green Building Council, LEED® MR Credits 2.1, 4.1, 4.2, and 5.1

Options & Accessories

- **96LM**
Latch monitor kit with SPDT switch, can be mounted anywhere in strike cavity to correspond to latch position, rated 2 A/24 V DC

* Night-latch function only, bolt will not release.

How to Order ES96F Series





DORMA GmbH+Co. KG
DORMA Platz 1
58256 ENNEPITAL
GERMANY
Phone +49 2333 793-0
Fax +49 2333 793-4950
www.dorma.com

DORMA Americas
DORMA Drive, Drawer AC
Reamstown, PA 17567-0411
Phone (800) 523-8483
Fax (800) 274-9724
E-mail archdw@dorma-usa.com
www.dorma-usa.com