



The safety features of this product are essential to its compliance with EN 1125. No modification of any kind, other than those described in these instructions, are permitted.

Installation and fixing instructions

Before fitting an exit device to a door, the door should be checked to ensure correct hanging and freedom from binding.

Before fitting a panic exit device to a fire/ smoke resisting door, the fire certification of the fire door assembly on which the exit device has been tested to prove suitability for use on a fire door should be examined. It is of utmost importance that an exit device is not used on a fire door assembly of a greater fire resistance time than approved for.

Care should be taken to ensure that any seals or weather-stripping fitted to the complete door assembly, does not inhibit the correct operations of the panic exit device.

On double doorsets with rebated meeting stiles and where both leaves are fitted with panic exit devices, it is essential to check that either leaf will open when its panic exit device is activated and also that both leaves will open freely when both panic exit devices are operated simultaneously. The use of a carry bar to move the active leaf may be required for this application.

Panic exit devices are not intended for use on double action (double swing) doors.

CE	dormakaba Deutschland GmbH		20
	Postfach 4009 58247 Ennepetal		
0905-CPR-201953-01		3 7 6 B 1 4 2	2 B A
EN 1125:2008		DOP_0178	

The fixing instructions should be carefully followed during installation. These instructions and any maintenance instructions should be passed on by the installer to the user.

The horizontal bar should normally be installed at a height of between 900 mm and 1100 mm from the finished floor level, when the door is in the secured position. Where it is known that the majority of the occupants of the premises will be young children, consideration should be given to reducing the height of the bar.

The horizontal bar should be installed so as to provide the maximum effective length.

Where panic exit devices are to be fitted to double doorsets with rebated meeting stiles and self closing devices, a door coordinator device in accordance with EN 1158 should be fitted to ensure the correct closing sequence of the doors. This recommendation is particularly important with regard to fire/ smoke resisting door assemblies.

Any keepers or protection plates provided should be fitted in order to ensure compliance with this European Standard.

PHB 1102

Mounting instructions

WN 060001 45532/15027
2021-02

EN

dormakaba Monunting instructions

Maintenance instructions

To ensure performance in accordance with this document, the following routine maintenance checks should be undertaken at intervals of not more than one month:

Inspect and operate the panic exit device to ensure that all components are in a satisfactory working condition; using a force gauge, measure and record the operating forces (≤ 80 N) to release the exit device. Check that the operating forces have not changed significantly from the operating forces recorded when originally installed.

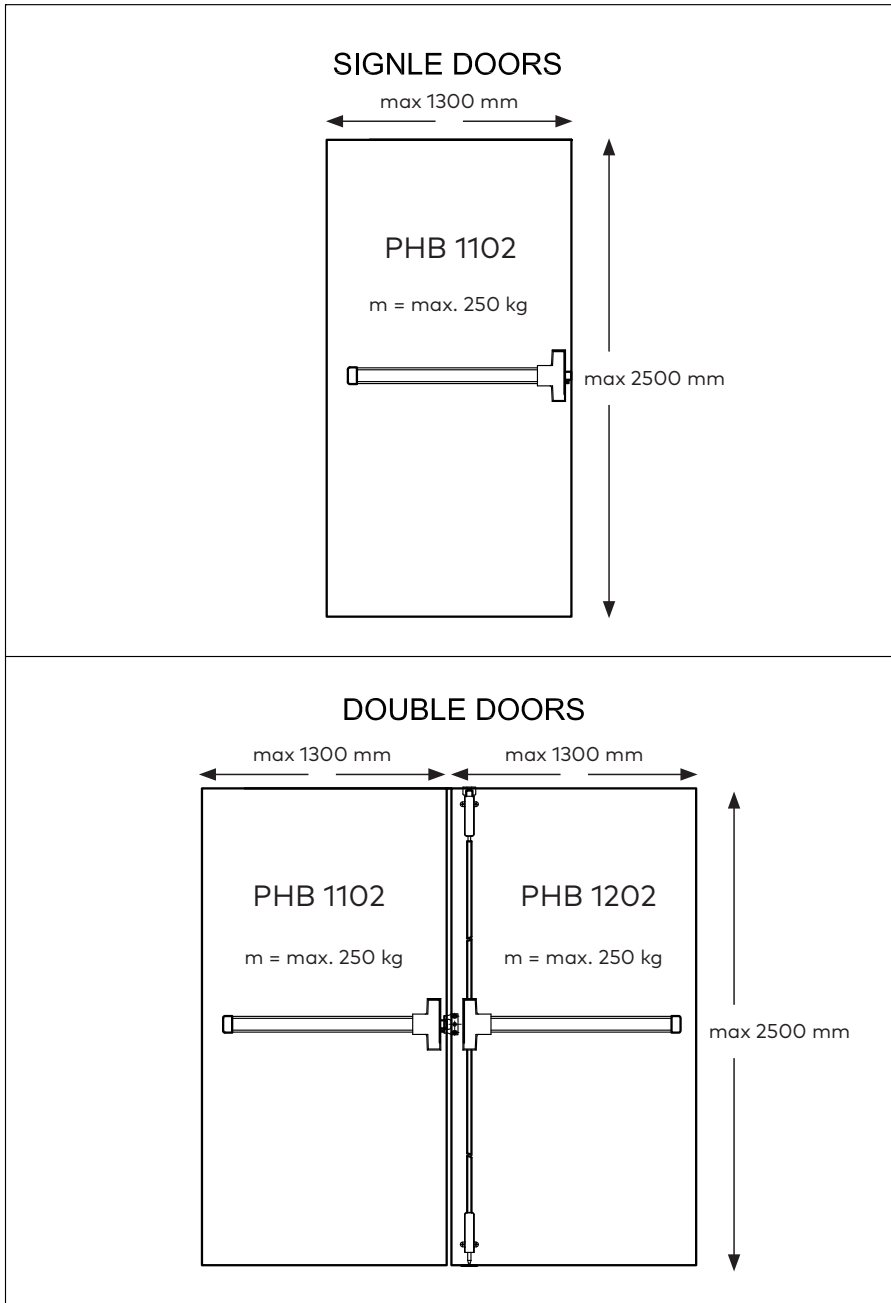
Ensure that the keeper(s) is (are) free from obstruction.

Lubricate all contact surfaces.

Check that no additional locking devices have been added to the door since its original installation.

Check that the operating forces have not changed significantly from the operating forces recorded when originally installed.


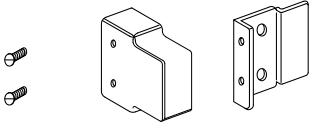


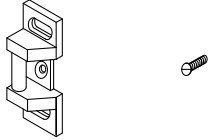
DEVICE APPLICATION



1. PARTS CHECK

1) MAKE SURE THE CORRECT DEVICE IS BEING USED.

2) MAKE SURE ALL NEEDED PARTS ARE ON HAND.

<p>1) DEVICE</p> 	<p>3) SCREW PACK</p> <p>A) MOUNTING BRACKET AND END CAP WITH M4X8 SCREW(1 SET)</p>  <p>C) M5X35 SEX BOLT (6 QTY)</p>  <p>D) M5X25 SCREW BOLT(6 QTY)</p> 
<p>2) STRIKE WITH SCREW</p>  <p>STRIKE (1QTY)</p> <p>M5X12 (3 QTY)</p>	

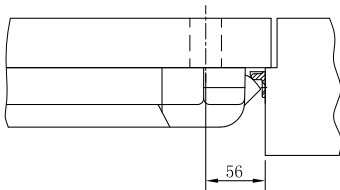
3) MAKE SURE OUTSIDE TRIM (IF BEING USED) HAS BEEN PROVIDED AND IS THE CORRECT HANDING.

2. DOOR LAYOUT

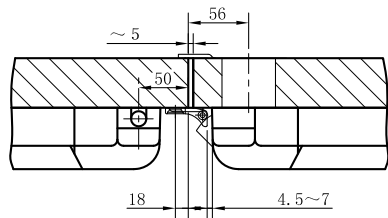
- 1) DOOR MUST BE FITTED AND HUNG PROPERLY BEFORE PROCEEDING.
- 2) MARK VERTICAL AND HORIZONTAL ON DOOR AND FRAME.

A) VERTICAL

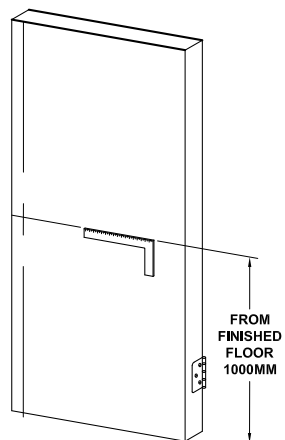
SINGLE DOOR APPLICATION



DOUBLE DOOR APPLICATION RIM DEVICE x VERTICAL ROD

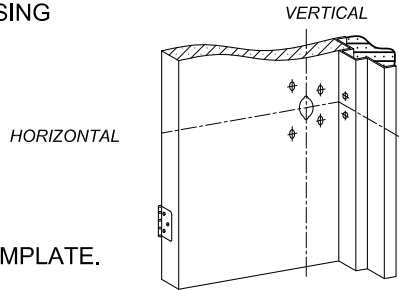


B) HORIZONTAL



3. DOOR & HARDWARE PREPARATION

- 1) TAPE DRILLING TEMPLATE ON DOOR USING VERTICAL AND HORIZONTAL

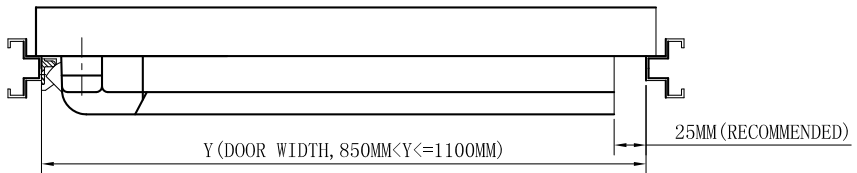


- 2) TAP HOLES AS REQUIRED, REMOVE TEMPLATE.

- 3) IF USING OUTSIDE TRIM, PREPARE DOOR USING SEPARATE TRIM DIRECTION SHEET.

- 4) DETERMINE DEVICE LENGTH.

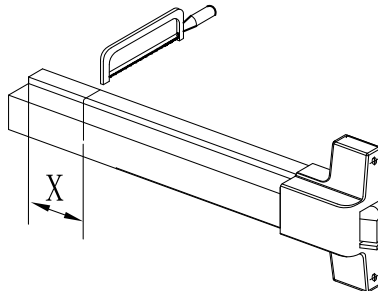
- A) THE DEVICE IS FIT FOR THE DOOR WIDTH FROM 650MM TO 1100MM
- B) MEASURE THE DOOR WIDTH OF "Y".
- C) LENGTH OF DEVICE TO BE CUTTED IS "X": $X=1100-Y$



- 5) IF DOOR WIDTH IS LESS THAN 1100MM, CUT THE DEVICE.

- A) MARK THE DEVICE FROM THE END TO THE LENGTH "X".
- B) MEASURE THE DOOR WIDTH OF "Y". IF $1543\text{MM} > Y > 1100\text{MM}$, KEEP THE LENGTH OF THE DEVICE. IF $Y < 1100\text{MM}$, THE LENGTH OF DEVICE TO BE CUTTED IS "X": $X=11$

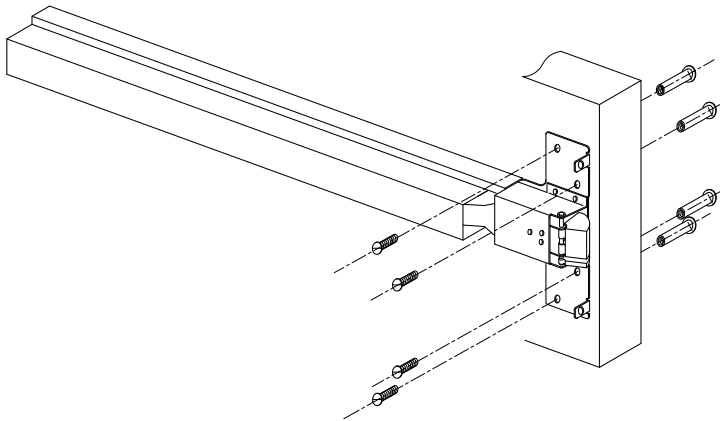
NOTE: FACTORY RECOMMENDS SAWING RATHER THAN GRIND CUT TO SIZE. GRINDING CAN DAMAGE THE FINISH OF THE DEVICE AND SAWING RESULTS IN LESS DAMAGE TO THE DEVICES'S FINISH.



4. HARDWARE INSTALLATION

1) IF USING OUTSIDE TRIM OR SEXBOLTS, MOUNT TRIM PER DIRECTIONS IN TRIM BOX, OR INSTALL OUTSIDE SEX BOLTS.

2) FIX THE DEVICE BY SEXBOLTS AND THROUGHBOLT.



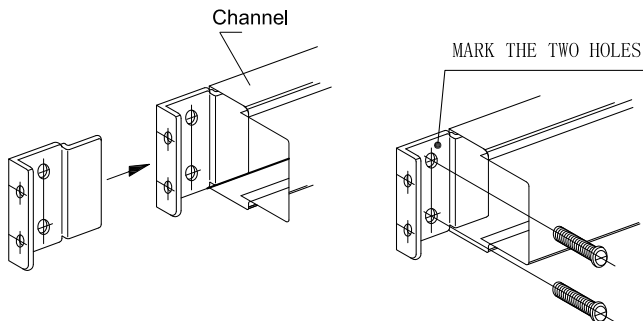
3) INSTALL END CAP MOUNTING BRACKET USING MOUNTING SCREW.

A) SLIDE MOUNTING BRACKET INTO CHANNEL.

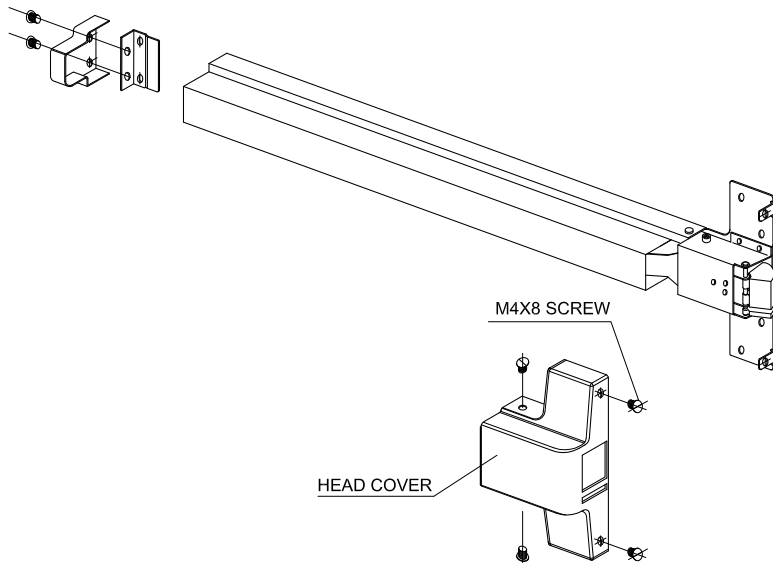
B) MARK MOUNTING HOLES, AND PREPARE THE HOLES.

C) INSTALL MOUNTING SCREWS.

D) INSTALL END CAP.



4) INSTALL HEAD COVER AND END CAP.



5) INSTALL STRIKE. CHECK THAT DEVICE OPERATES SMOOTHLY AND THAT LATCH BOLT ENGAGES SECURELY. ADJUST STRIKE IF REQUIRED.

