

MANET

Technical manual
for ordering and
installation

Single-point fixings
for interior applications



Product description
4 – 5



**MANET
CONCEPT**

6 – 37



**MANET
COMPACT Sets**

38 – 49



**Installation tools/
Accessories**

50 – 52

MANET CONCEPT

Today's approach to office design tends to be generously appointed, open-plan layouts. One of the basic underlying principles in this regard is that, in order to be effective in business, you need a clear view of everything that is happening.

Consequently, flexible glass partitions and doors are becoming the preferred solution for internal spatial division. Thanks to the flexible modularity of the system, DORMA MANET offers architects and specifiers a free hand in creative almost bespoke design with space, vision and light as a foundation. The basic component is the single-point fixing which is countersunk into the glass and provides for a perfectly flush finish in all applications. In addition to the countersunk version, however, the system now also offers a new

alternative, i.e. whereby the single-point fixing is clamped to the glass surface. When using these mounting elements, glazing systems of 8 mm thickness as well as the usual 10 and 12 mm thicknesses are available as standard applications for sliding doors. Other glass thicknesses may also be available, and the installation of timber doors is likewise possible. Design modifications enable the free combination of various roller carrier and track rail types. Further details can be found in the relevant introductory pages. Adjustable angle connectors provide for reliable attachment to existing structural components or glass-to-glass combinations, with integrated pivoting and sliding door elements complementing the system.



MANET COMPACT Sets

Just as visually effective are the MANET COMPACT standardised sets from the DORMA MANET family. These facilitate single, fast planning of the more popular system types with 8, 10 or 12 mm glass for doors and 10 and 12 mm glass for overpanels and sidelights. The MANET COMPACT sliding door sets will be delivered with roller carrier in CLASSIC design.

Optional accessories are available for increased design variety within the individual sets.

The system components come with numerous adjustment possibilities in order to ensure problem-free installation of the sliding, double action or single action doors. Wall abutment profiles/connectors (for attaching the overpanel and sidelight screens to the existing structure) may need to be provided.

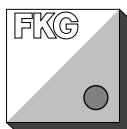


All the elements including the pull handles are available in an elegant stainless steel finish (AISI 303).

In applications involving corrosive atmospheres, many fittings are also available in stainless steel AISI 316L.



Awarded with the design prize red dot 2002



Fachverband
Konstruktiver Glasbau e.V.

Needless to say, all DORMA systems are protected by proprietary rights worldwide. We will be glad to provide you with information concerning relevant patents, e.g. PCT/EP03/04299, PCT/EP01/04255 etc. on application.





MANET CONCEPT

Content

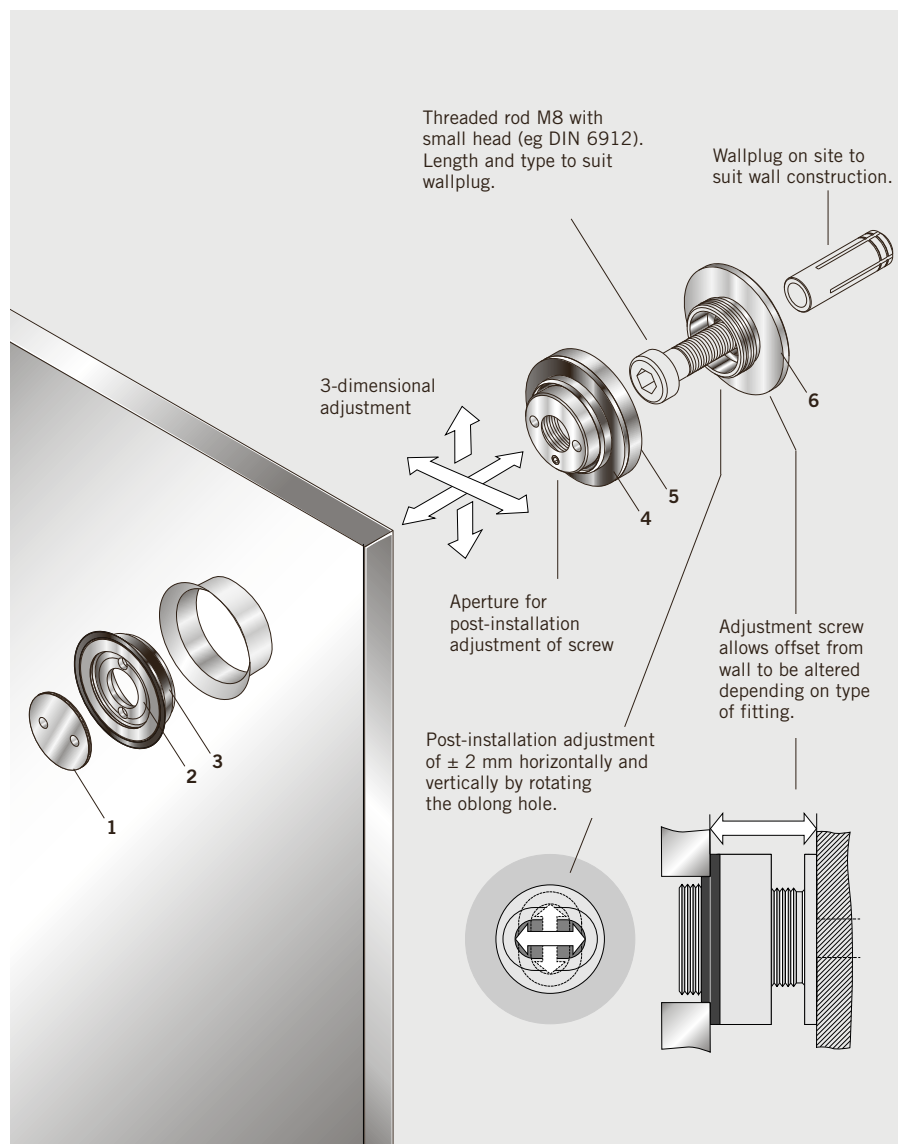
Single-point fixing	8
Connection system	10
Pivoting door system	14
Sliding door system	22
Pull handles/door knobs	34

Single-point fixing series S32/35

The basic component within the MANET system is the single-point fixing. Rather than cylindrical bore in the glass, this has a tapered countersunk bore for a perfect seated fit to the glass. These give a flush finish of the single-point fixing in all applications.

The three-dimensional adjustability incorporated within the fitting ensures ideal compensation for structural and drilling tolerances.

Constraint-free transmission of all the forces acting on the glass to the substructure is also ensured.



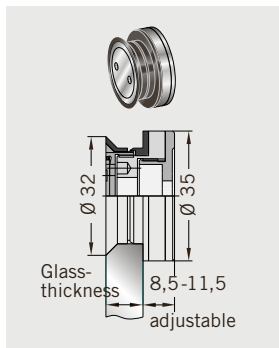
Components

- 1 Clip-on cover
- 2 Pin internal thread
- 3 Conical sleeve
- 4 Gasket
- 5 Fixing
- 6 Adjustment screw

Installation and adjustment

- Transfer the drilling points from the installation drawing to the wall.
- Drill anchor holes for wall plugs.
- Undo adjustment fastener and secure to the wall.
- Only lightly tighten fastener so that it can still be moved.
- Mount the fixing and washer and fit the glass.
- Undo the adjustment fastener and then secure in final position.
- Align single-point fixings and secure with grub screw.
- Fit tapered nut and clamping ring and tighten with special wrench (tightening torque 15 Nm).
- Clip on covers.

Type and ordering information



**Single-point fixing,
Glass/Wall, Glass/Wall offset
adjustable 8.5 - 11.5 mm**
Complete fitting

Glass thickness 8 / 10 mm:
countersunk 8.29.200.700.99
AISI 316L

8.29.600.700.99

clamping disc

8.29.700.700.99

AISI 316L

8.29.650.700.99

Glass thickness 12 mm:

countersunk 8.29.210.700.99

AISI 316L

8.29.605.700.99

clamping disc

8.29.705.700.99

AISI 316L

8.29.655.700.99

Glass thickness 13,5 mm:

countersunk 8.29.240.700.99

AISI 316L

8.29.610.700.99

clamping disc

8.29.710.700.99

AISI 316L

8.29.660.700.99

Glass thickness 15 mm:

countersunk

8.29.244.700.99

AISI 316L

8.29.615.700.99

clamping disc

8.29.715.700.99

AISI 316L

8.29.665.700.99

Glass thickness 17,5 mm:

countersunk 8.29.248.700.99

AISI 316L

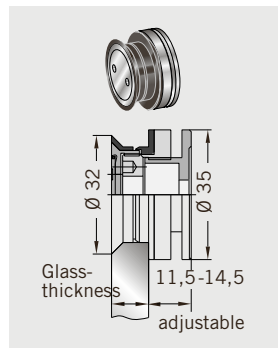
8.29.620.700.99

clamping disc

8.29.720.700.99

AISI 316L

8.29.670.700.99



**Single-point fixing,
Glass/Wall, Glass/Wall offset
adjustable 11.5 - 14.5 mm**
Complete fitting

Glass thickness 8 / 10 mm:
countersunk 8.29.201.700.99
AISI 316L

8.29.601.700.99

clamping disc

8.29.701.700.99

AISI 316L

8.29.651.700.99

Glass thickness 12 mm:

countersunk 8.29.211.700.99

AISI 316L

8.29.606.700.99

clamping disc

8.29.706.700.99

AISI 316L

8.29.656.700.99

Glass thickness 13,5 mm:

countersunk 8.29.241.700.99

AISI 316L

8.29.611.700.99

clamping disc

8.29.711.700.99

AISI 316L

8.29.661.700.99

Glass thickness 15 mm:

countersunk

8.29.245.700.99

AISI 316L

8.29.616.700.99

clamping disc

8.29.716.700.99

AISI 316L

8.29.666.700.99

Glass thickness 17,5 mm:

countersunk 8.29.249.700.99

AISI 316L

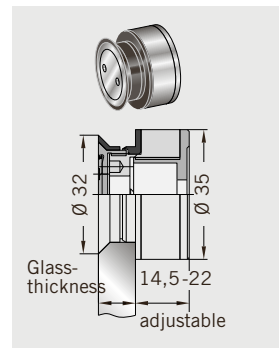
8.29.621.700.99

clamping disc

8.29.721.700.99

AISI 316L

8.29.671.700.99



**Single-point fixing,
Glass/Wall, Glass/Wall offset
adjustable 14.5 - 22 mm**
Complete fitting

Glass thickness 8 / 10 mm:
countersunk 8.29.202.700.99
AISI 316L

8.29.602.700.99

clamping disc

8.29.702.700.99

AISI 316L

8.29.652.700.99

Glass thickness 12 mm:

countersunk 8.29.212.700.99

AISI 316L

8.29.607.700.99

clamping disc

8.29.707.700.99

AISI 316L

8.29.657.700.99

Glass thickness 13,5 mm:

countersunk 8.29.242.700.99

AISI 316L

8.29.612.700.99

clamping disc

8.29.712.700.99

AISI 316L

8.29.662.700.99

Glass thickness 15 mm:

countersunk

8.29.246.700.99

AISI 316L

8.29.617.700.99

clamping disc

8.29.717.700.99

AISI 316L

8.29.667.700.99

Glass thickness 17,5 mm:

countersunk 8.29.250.700.99

AISI 316L

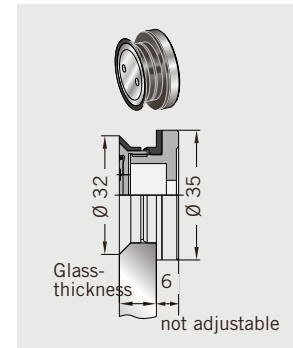
8.29.622.700.99

clamping disc

8.29.722.700.99

AISI 316L

8.29.672.700.99



**Single-point fixing,
Glass/Wall, Glass/Wall offset
6 mm, not adjustable**
Complete fitting

Glass thickness 8 / 10 mm:
countersunk 8.29.205.700.99
AISI 316L

8.29.630.700.99

clamping disc

8.29.730.700.99

AISI 316L

8.29.680.700.99

Glass thickness 12 mm:

countersunk 8.29.215.700.99

AISI 316L

8.29.631.700.99

clamping disc

8.29.731.700.99

AISI 316L

8.29.681.700.99

Glass thickness 13,5 mm:

countersunk 8.29.243.700.99

AISI 316L

8.29.632.700.99

clamping disc

8.29.732.700.99

AISI 316L

8.29.682.700.99

Glass thickness 15 mm:

countersunk

8.29.247.700.99

AISI 316L

8.29.633.700.99

clamping disc

8.29.733.700.99

AISI 316L

8.29.683.700.99

Glass thickness 17,5 mm:

countersunk 8.29.251.700.99

AISI 316L

8.29.634.700.99

clamping disc

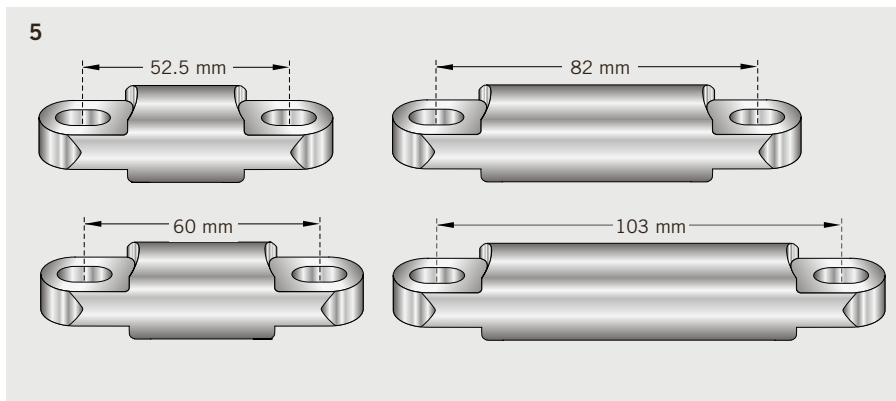
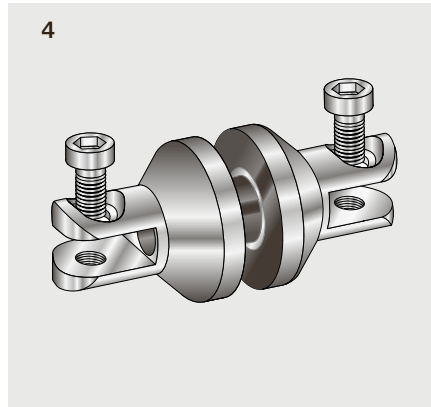
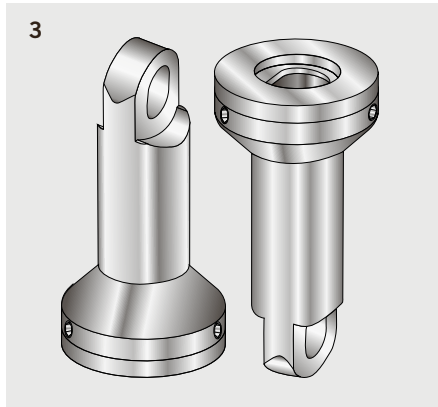
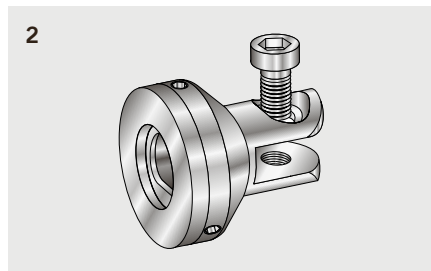
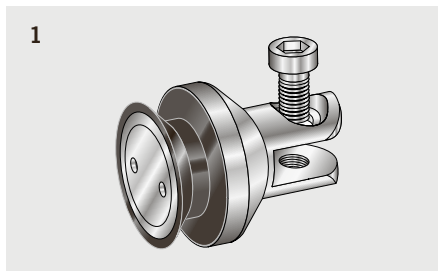
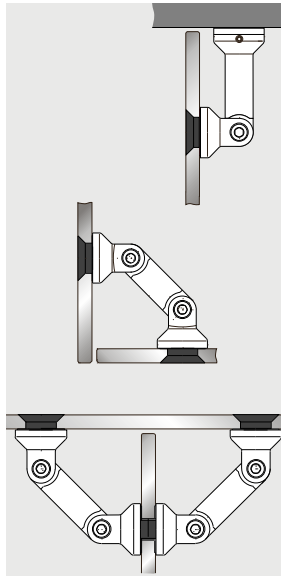
8.29.734.700.99

AISI 316L

8.29.684.700.99

Connection system

The system approach is very much in evidence in the case of the interconnecting components. Elements such as clamping and angle connectors of various designs and also interconnecting fasteners of various lengths can be combined in order to attach glass of different thicknesses at any required angle to the floor, to ceilings, to walls and to plinth supports. Single-point fixings flush with the glass are also used for this interconnection and glass-to-glass system. Tolerances are compensated by slotted holes in the interconnecting fasteners.



Ordering information

1
Pivoting glass clamp
inclusive screw sets
for 8 - 12, 13.5 - 17.5 and
17.5 - 21.5 mm glass
countersunk
8.29.160.700.99
do., clamping disc
8.29.165.700.99

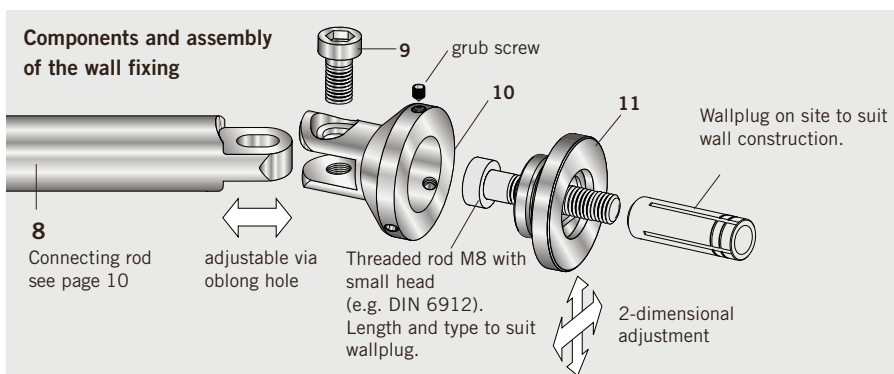
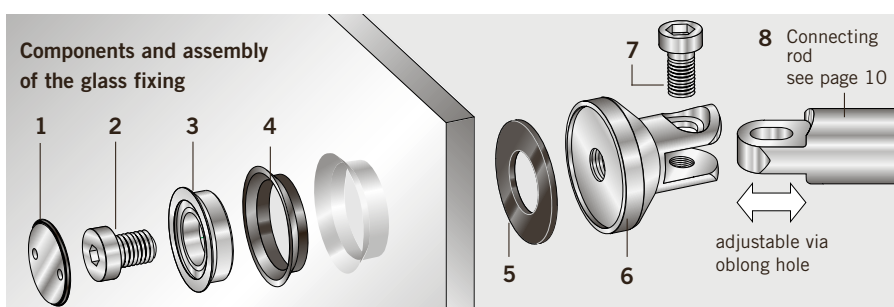
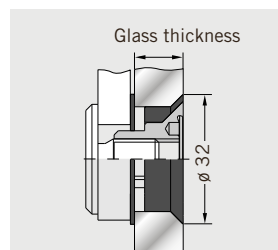
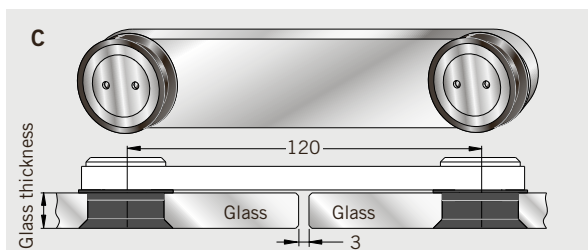
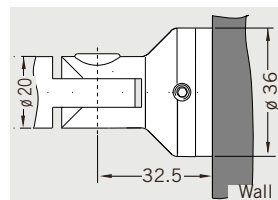
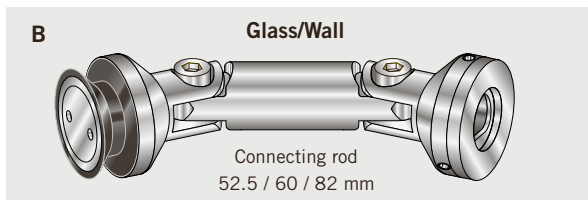
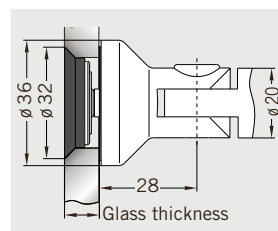
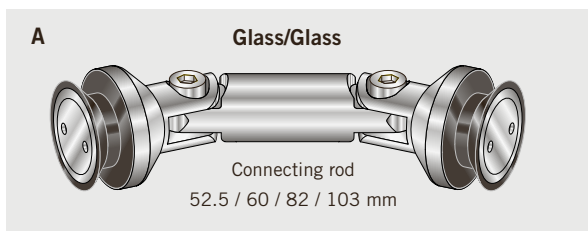
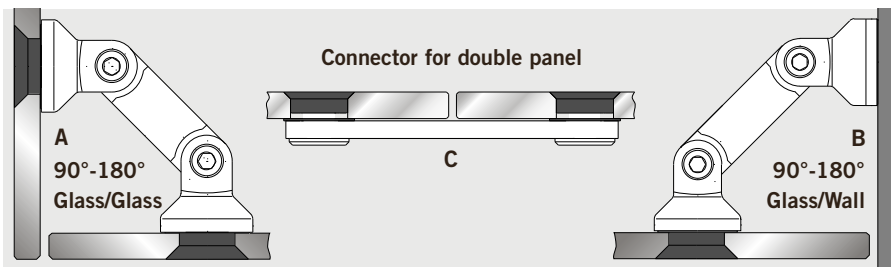
2
Pivoting wall fixing
Art. No. 8.21.141.700.99

3
Column
Ceiling/floor fixing
Art. No. 8.21.146.700.99

4
Clamping connector
Glass thickness 8 - 12 mm
Art. No. 8.29.149.700.99

5
Connecting rod
Length 52.5 mm
Art. No. 8.21.355.700.99
Length 60 mm
Art. No. 8.21.356.700.99
Length 82 mm
Art. No. 8.21.357.700.99
Length 103 mm
Art. No. 8.21.358.700.99

Connection system



Ordering information

A
Complete fitting glass/glass
8-12 mm glass thickness
With connecting rod
52.5 mm
Art. No. 8.29.120.700.99
With connecting rod
60 mm
Art. No. 8.29.122.700.99
With connecting rod
82 mm
Art. No. 8.29.125.700.99
With connecting rod
103 mm
Art. No. 8.29.130.700.99

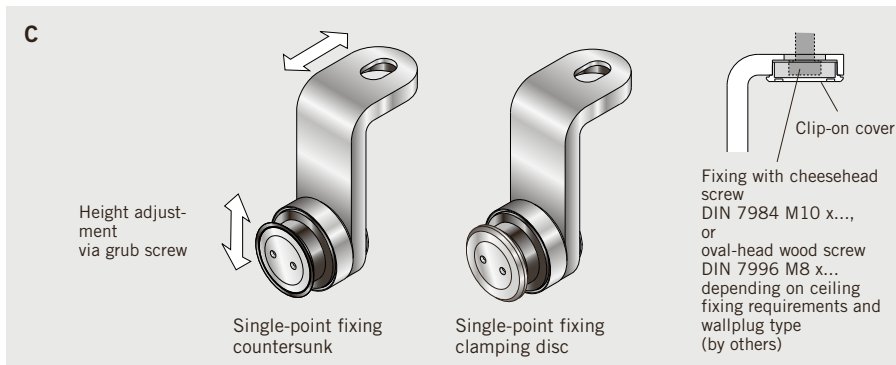
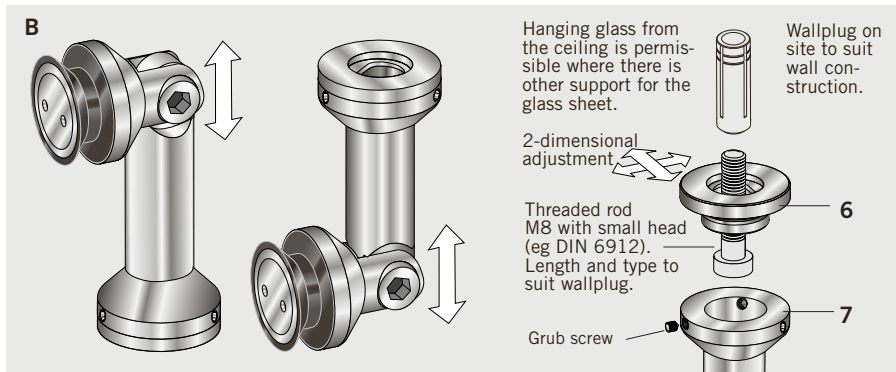
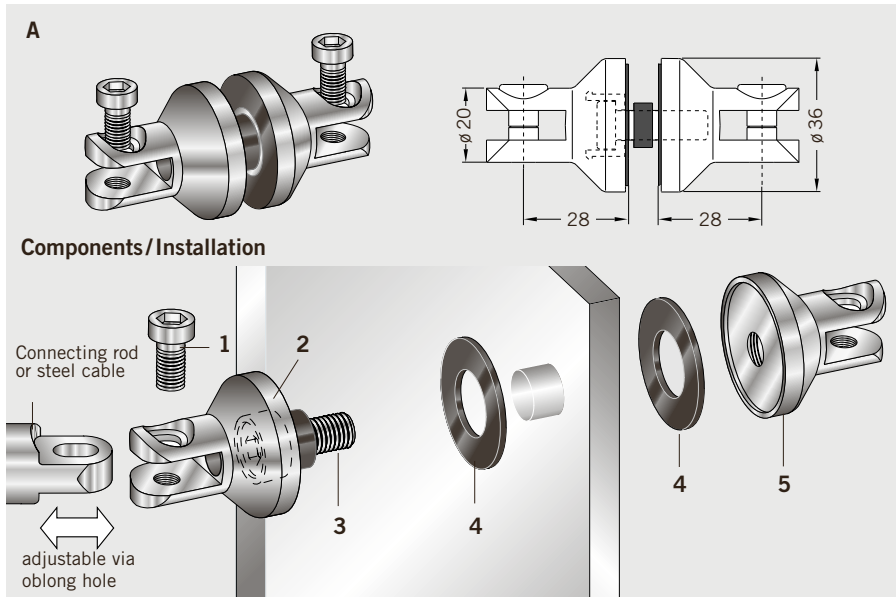
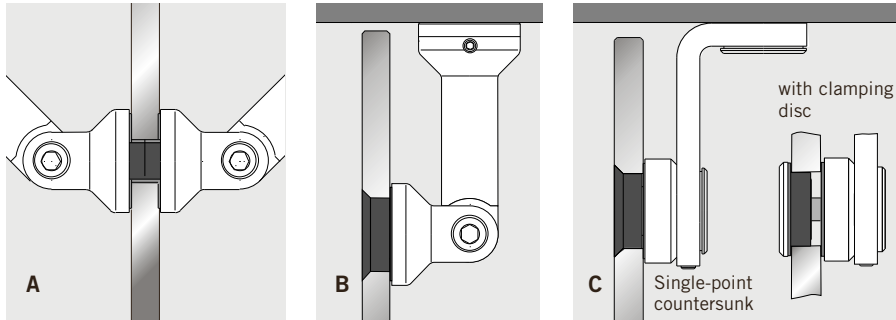
B
Complete fitting glass/wall
8-12 mm glass thickness
With connecting rod
52.5 mm
Art. No. 8.29.139.700.99
With connecting rod
60 mm
Art. No. 8.29.140.700.99
With connecting rod
82 mm
Art. No. 8.29.142.700.99

C
Complete fitting Connector
for glass thickness
8-12 mm
AISI 303
Art. No. 8.29.148.700.99
AISI 316L
Art. No. 8.29.368.700.99

Components

- 1 Clip-on cover
- 2 Connecting bolt
- 3 Conical collar
- 4 Conical sleeve
- 5 Gasket
- 6 Pivoting clamp
- 7 Connecting bolt
- 8 Connecting rod to suit length
- 9 Connecting bolt
- 10 Pivoting clamp
- 11 Fixing plate

Connection system



Ordering information

A
Clamping connector
 Complete fitting
 Glass thickness 8-12 mm
 Art. No. 8.29.149.700.99

B
Corner connector 90°
 Glass/ceiling, Glass/floor connection
 Complete fitting
 Glass thickness 8-12 mm (only supporting function)
 Art. No. 8.29.145.700.99

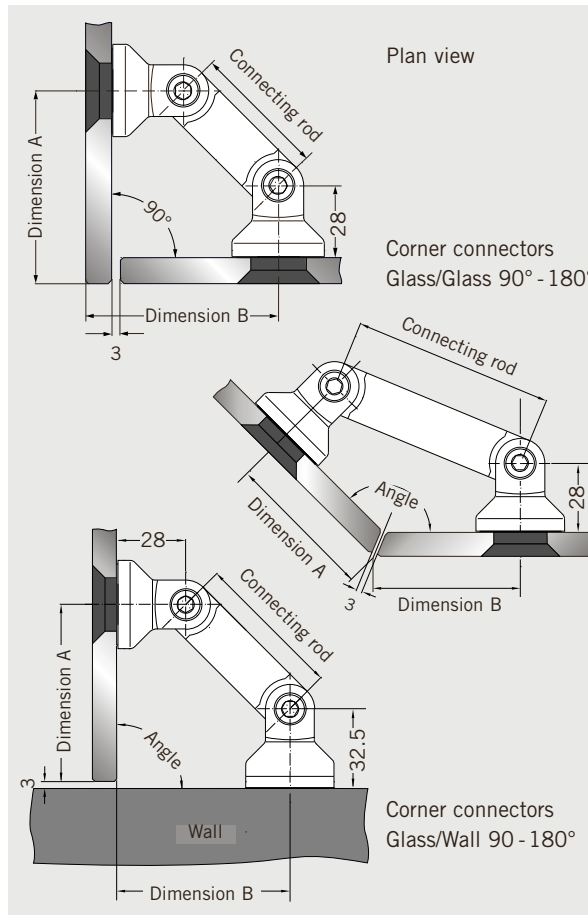
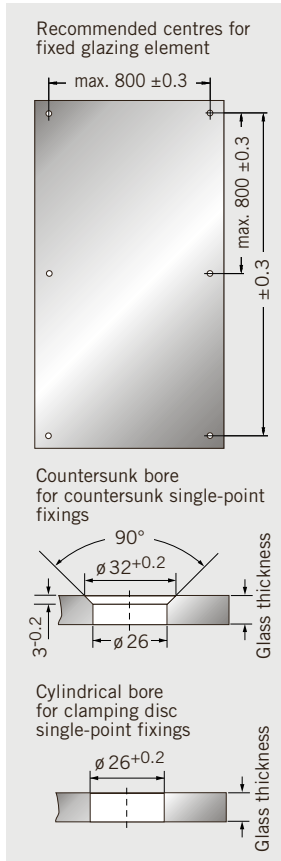
C
Ceiling fixing
 (bearing function)
 Complete fitting
 Glass thickness 8-12 mm countersunk
 Art. No. 8.29.337.700.99
 AISI 316L
 Art. No. 8.29.339.700.99
 clamping disc
 Art. No. 8.29.338.700.99
 AISI 316L
 Art. No. 8.29.340.700.99

Components

- 1 Connecting bolt
- 2 Pivoting clamp
- 3 Connecting bolt
- 4 Gasket
- 5 Pivoting clamp
- 6 Fixing plate
- 7 Column

Glass preparation for single-point fixings and corner connections

For ESG and VSG out of ESG.



Dimensions in mm

Corner connectors
Glass/Glass

Angle	Length of Connecting rod			
	52.5	60	82	103
90°	75	80	96	
95°	70	75	90	
100°	66	71	85	
105°	62	67	81	
110°	59	63	77	
115°	55	60	73	
120°	52	56	69	
125°	49	54	66	
130°	47	51	63	
135°	44	48	60	
180°				50

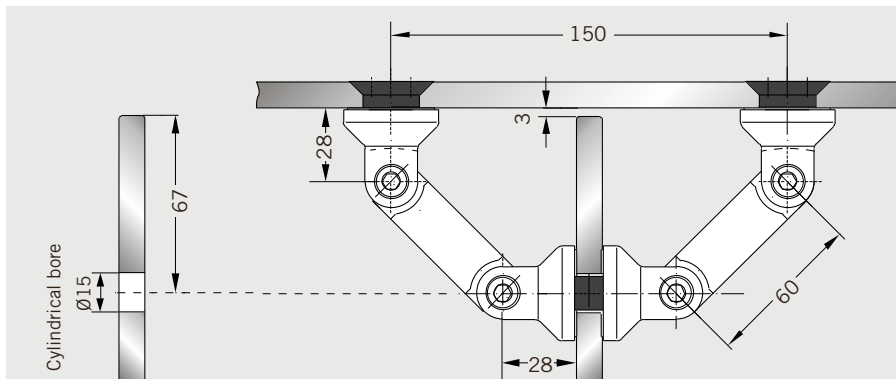
Dimensions for 10 mm glass thickness (consider variants for other glass thicknesses).

Glass/Wall

Angle	Length of Connecting rod		
	52.5	60	82
90°	67/65	72/70	87.5/86

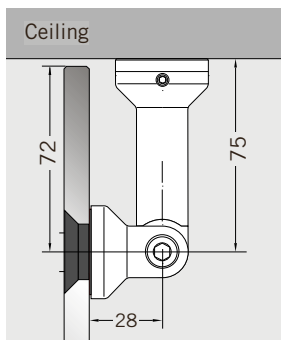
Dimensions for 10 mm glass thickness (consider variants for other glass thicknesses).

Clamping connector

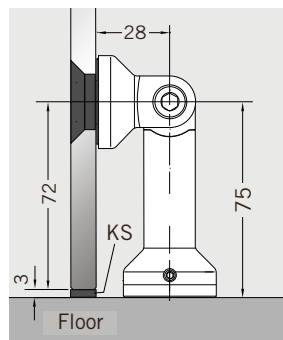


Ensure compliance with minimum glass/bore clearances as per glass manufacturer recommendations

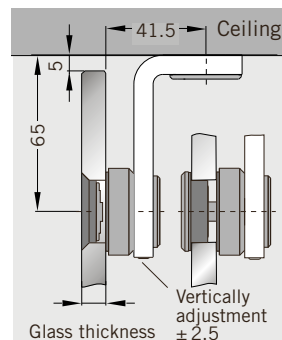
Corner connector glass/ceiling



Corner connector glass/floor



Ceiling fixing (bearing)



Glass preparation with a tolerance of max. ± 0.3 mm is recommended.

Pivoting door system

MANET pivoting doors can be installed in both glass partitions and masonry openings. They come as both single and double-action swing doors with a maximum weight of 100 kg and a maximum leaf width of 1200 mm.

All the single-point fixings are designed for clip-on covers for easier installation. Other components include the bottom pivot bearing, top pivot fittings with bearing spigot or eccentric bushing and also overpanel/sidelight connectors.

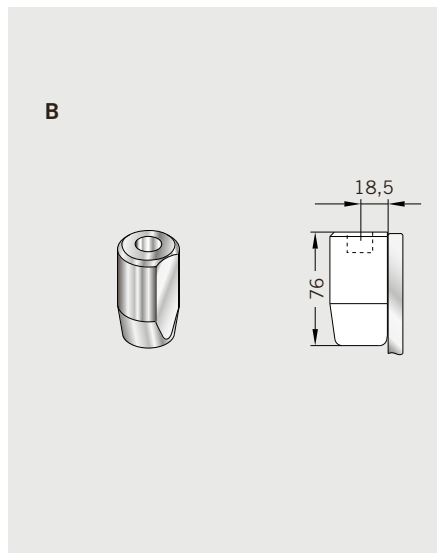
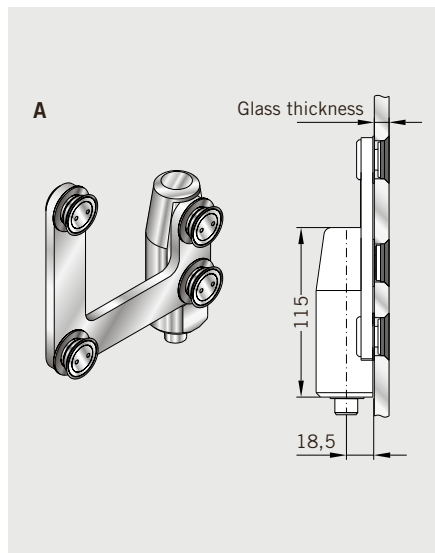
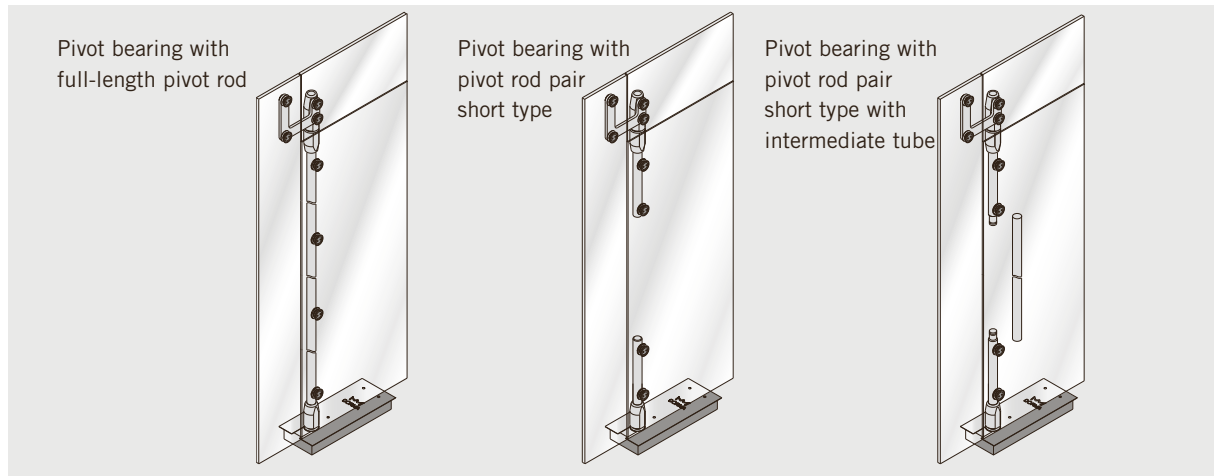
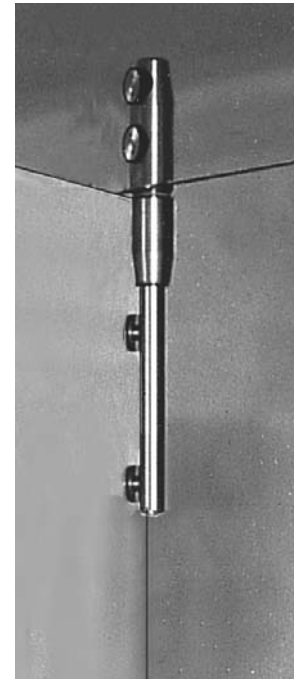
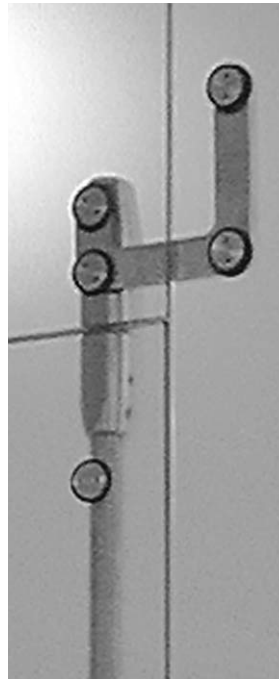
As a result, there are almost unlimited possibilities for integrating frameless swing doors both in masonry openings – with or without overpanels and

sidelights – and in glass partition constructions retained by single-point fixings.

The pivoting door system has undergone a number of improvements. Whether with a full-length pivot rod or a pair of shorter pivot rods, the top bearing socket is now located in the fitting on the door leaf.

This means that connection to the ceiling, lintel or transom can now be provided in the form of the standard PT25 top pivot spigot from the DORMA range.

The door assemblies can be equipped with floor springs such as the DORMA BTS 75V, and corner locks are naturally also available.

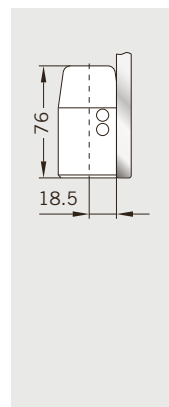
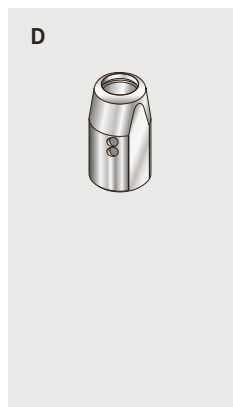
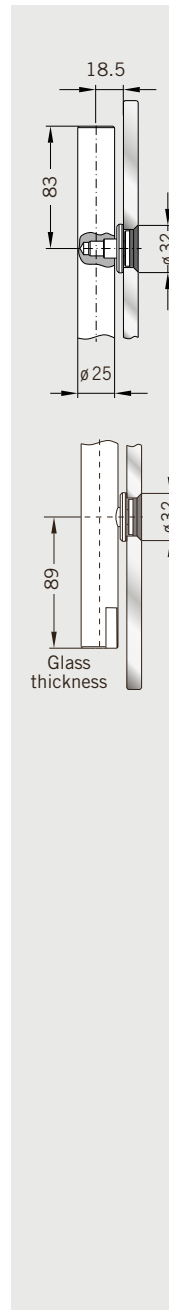
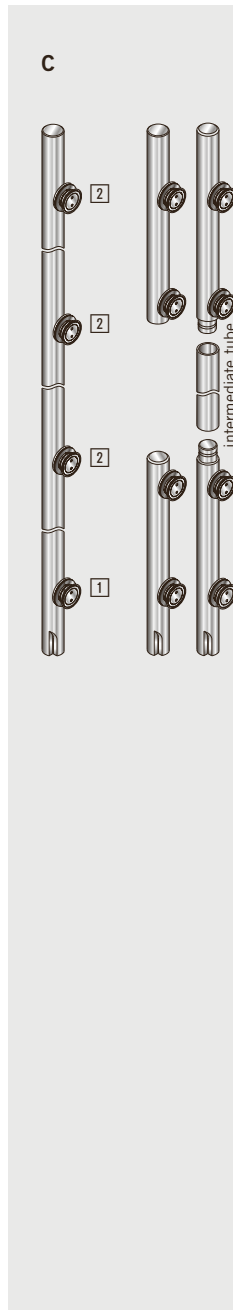
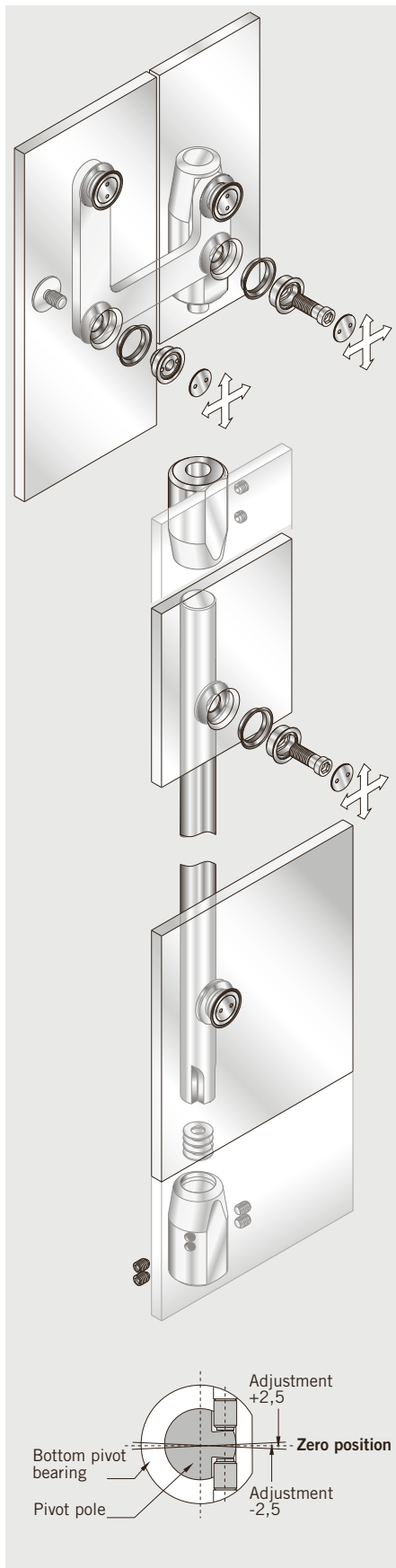


Ordering information

A Overpanel/ sidelight connector
complete fitting for 10/12 mm glass countersunk
Art. No. 8.29.330.700.99
AISI 316L
Art. No. 8.29.362.700.99
clamping disc
Art. No. 8.29.356.700.99
AISI 316L
Art. No. 8.29.371.700.99

B Pivot bearing for overpanel and ceiling connection
Art. No. 8.21.310.700.99
AISI 316L
Art. No. 8.21.350.700.99

Components for pivoting door system



Ordering information

C Pivot rod,
drilled, fixed length
Art. No 8.21.551.700.99
AISI 316L
Art. No 8.21.552.700.99

Single-point fixing, countersunk, fixed [1]
for 10/12 mm glass
Art. No 8.29.460.700.99
AISI 316L
Art. No 8.29.461.700.99
for 13,5 - 15,5 mm Glass
Art. No 8.29.450.700.99

clamping disc, fixed [1]
for 10/12 mm glass
Art. No 8.29.465.700.99
AISI 316L
Art. No 8.29.466.700.99

Single-point fixing, countersunk, centring [2]
for 10/12 mm glass
Art. No 8.29.462.700.99
AISI 316L
Art. No 8.29.463.700.99
for 13,5 - 15,5 mm Glass
Art. No 8.29.455.700.99

clamping disc, centring [2]
for 10/12 mm glass
Art. No 8.29.467.700.99
AISI 316L
Art. No 8.29.468.700.99

Pivot rod set, short type top/bottom,
incl. 4 single-point fixings
countersunk
Art. No 8.29.546.700.99
AISI 316L
Art. No 8.29.547.700.99

clamping disc
Art. No 8.29.560.700.99
AISI 316L
Art. No 8.29.561.700.99

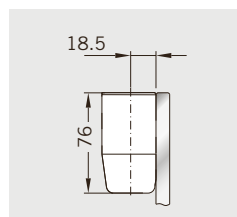
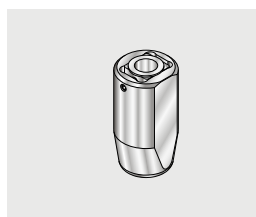
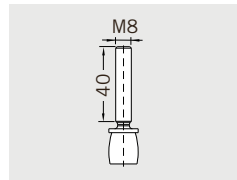
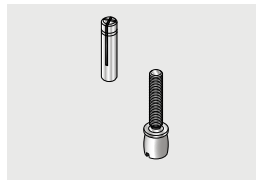
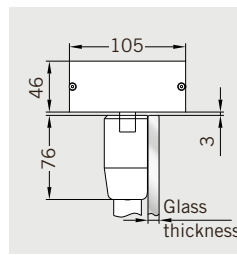
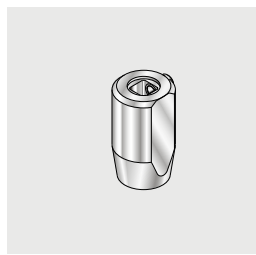
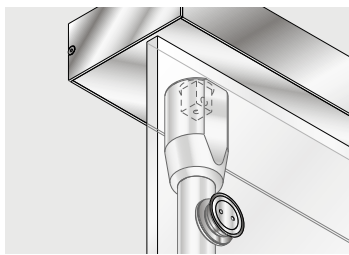
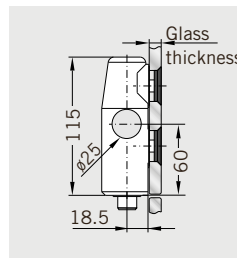
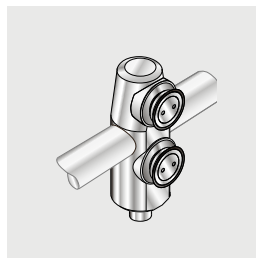
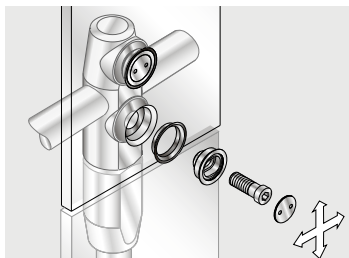
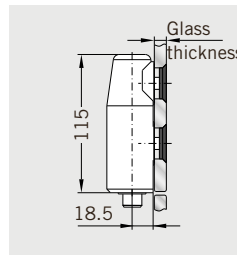
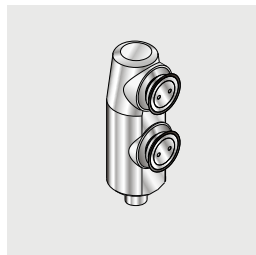
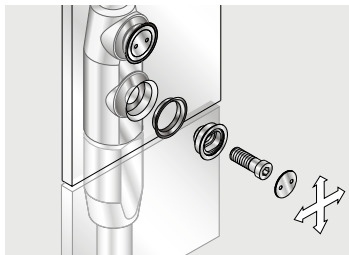
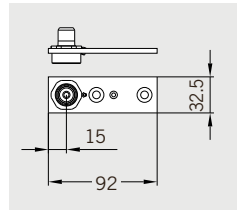
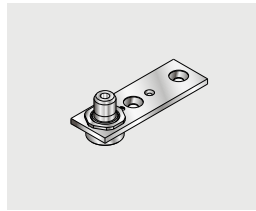
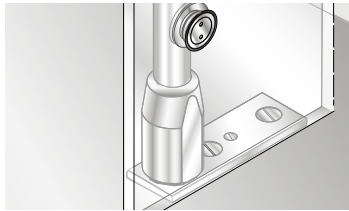
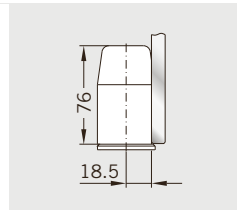
do. for intermediate tube countersunk
Art. No 8.29.548.700.99
AISI 316L
Art. No 8.29.549.700.99

clamping disc
Art. No 8.29.562.700.99
AISI 316L
Art. No 8.29.563.700.99

Intermediate tube
fixed length up to 2 m
Art. No. 8.29.555.700.99
AISI 316L
Art. No. 8.29.557.700.99

D Pivot bearing for
DORMA BTS (max. 4 EN) /
floor pivot
Art. No. 8.29.545.700.99
AISI 316L
Art. No. 8.29.550.700.99

Components for pivoting door system



Ordering information

Pivot bearing for wet rooms
Art. No. 8.29.540.700.99

Floor pivot
Art. No. 8.01.106.700.99

Pivot bearing location for overpanel
for 8 - 12 mm glass, countersunk
Art. No. 8.29.333.700.99
AISI 316L
Art. No. 8.29.353.700.99
clamping disc
Art. No. 8.29.355.700.99
AISI 316L
Art. No. 8.29.370.700.99

Pivot bearing fitting for overpanel with cylindrical bore for rod
for 8 - 12 mm glass,

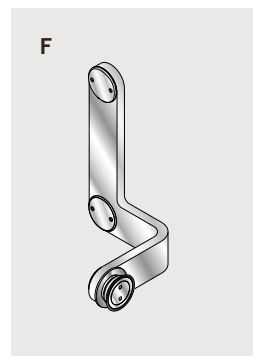
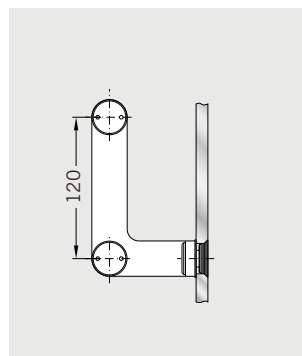
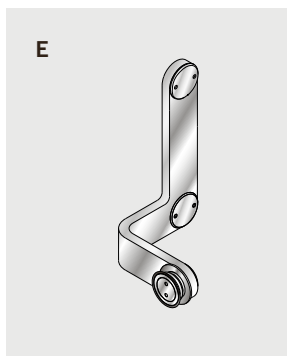
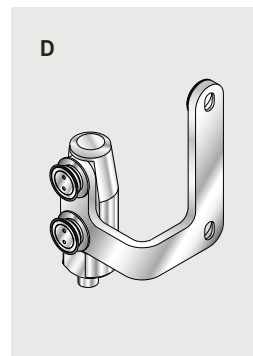
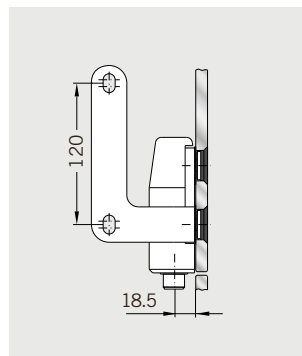
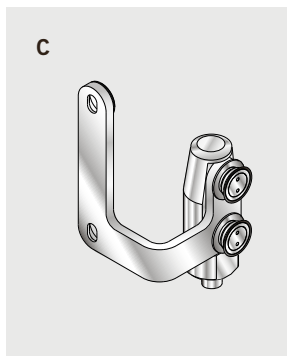
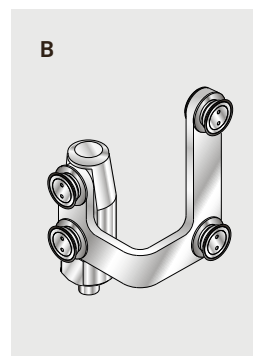
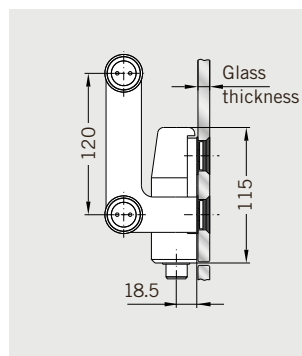
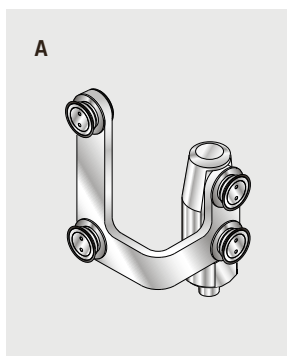
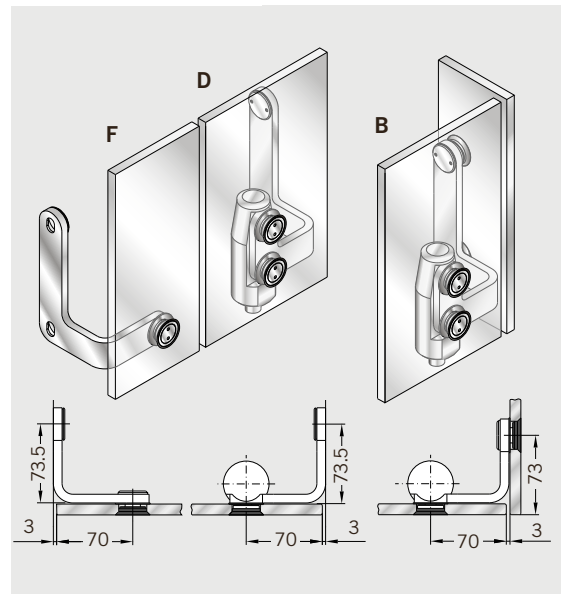
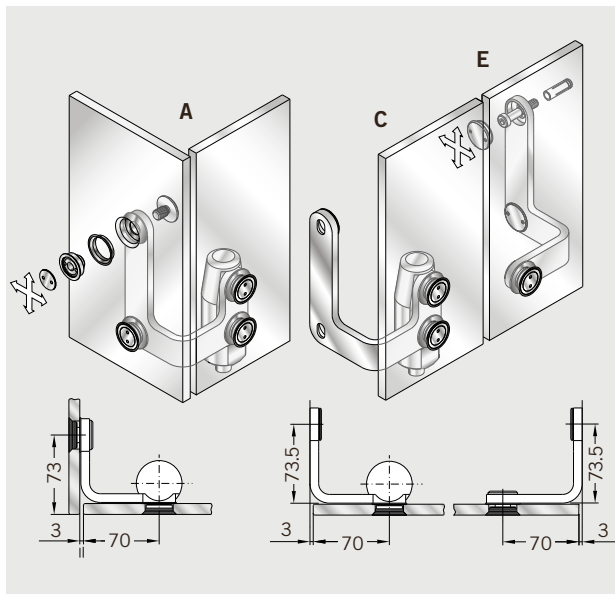
Pivot bearing for RTS
Art. No. 8.29.314.700.99

Pivot pole, drilled, fixed length, for RTS pivot bearing 21.314
Art. No. 8.29.553.700.99

PT 25 top pivot
for ceiling connection, 15 mm Ø, with plug
Art. No. 8.01.115.000.99

Pivot bearing for installation to ceiling adjustable
for 8 - 12 mm glass,
Art. No. 8.21.319.700.99
AISI 316L
Art. No. 8.21.318.700.99

Components for pivoting door system



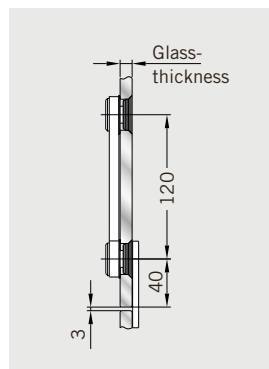
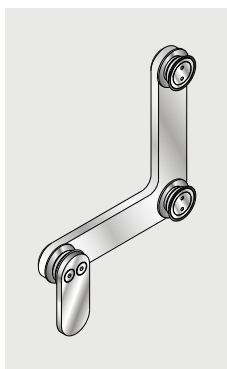
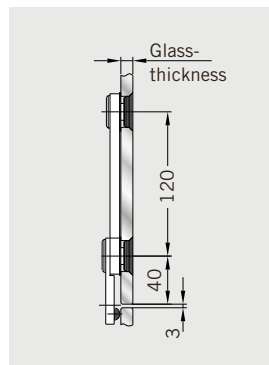
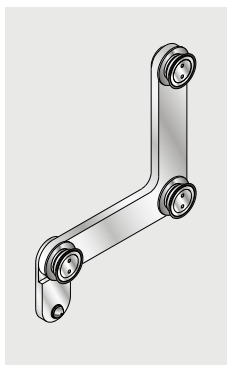
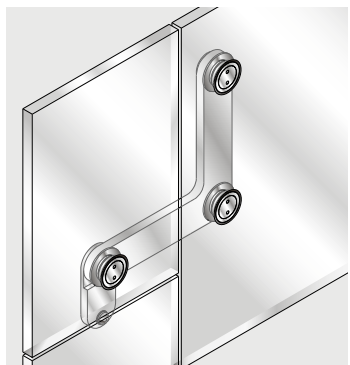
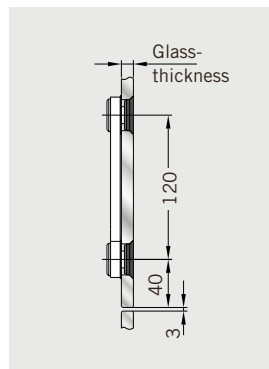
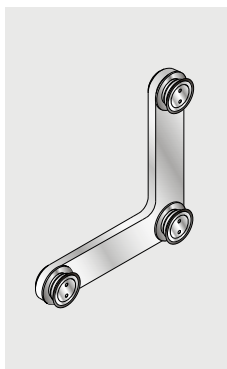
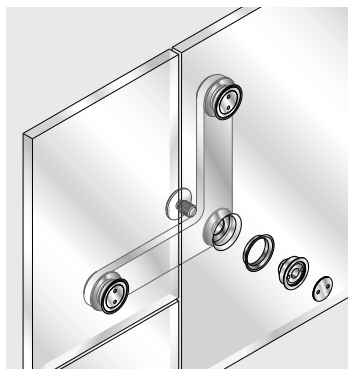
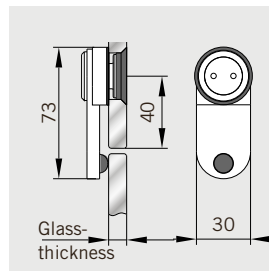
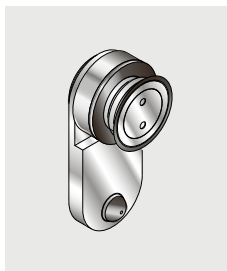
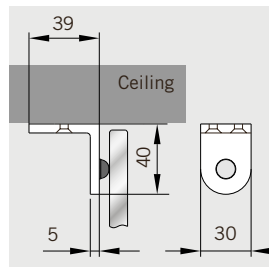
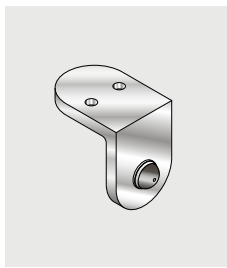
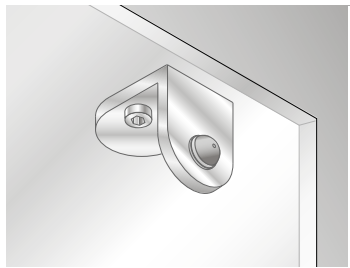
Ordering information

Overpanel/sidelight connector for glass fixing
 90° offset,
 with pivot bearing location,
 complete fitting
 for 10 and 12 mm glass,
A right hand
 Art. No. 8.29.331.700.99
B left hand
 Art. No. 8.29.332.700.99

Overpanel/sidelight connector for wall fixing
 90° offset,
 with pivot bearing location,
 complete fitting
 for 10 and 12 mm glass,
C right hand
 Art. No. 8.29.328.700.99
D left hand
 Art. No. 8.29.329.700.99

Overpanel/sidelight connector for wall fixing
 90° offset,
 complete fitting
 for 10 and 12 mm glass,
E right hand
 Art. No. 8.29.326.700.99
F left hand
 Art. No. 8.29.327.700.99

Components for pivoting door system



Ordering information

Stop for pivoting door
with ceiling mounting
Art. No. 8.21.334.700.99

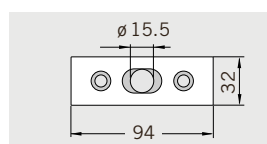
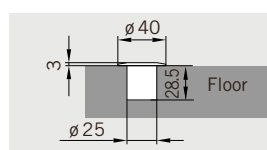
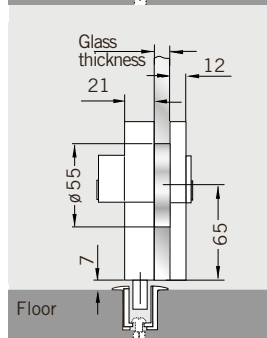
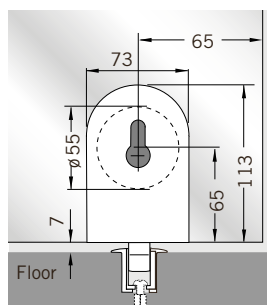
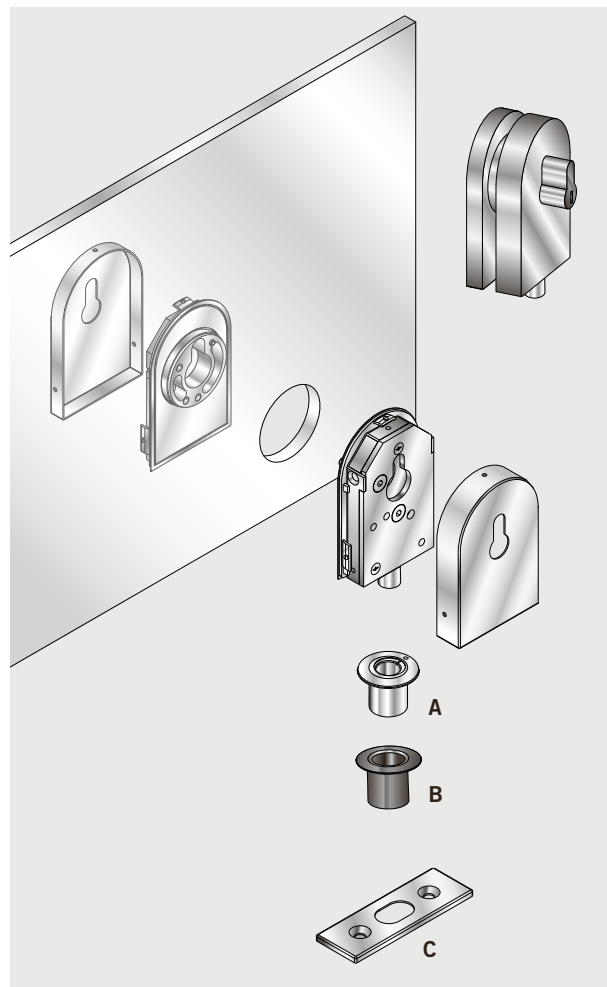
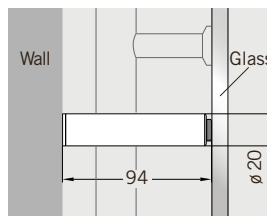
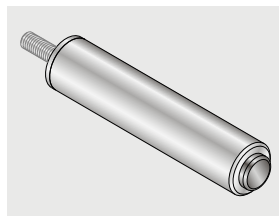
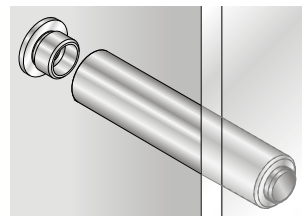
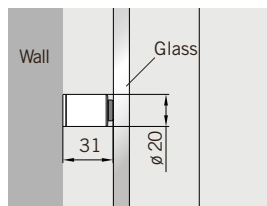
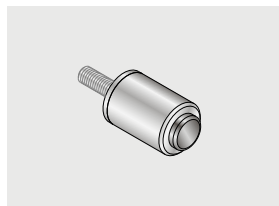
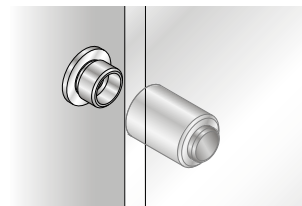
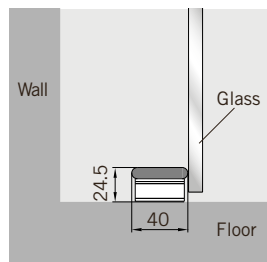
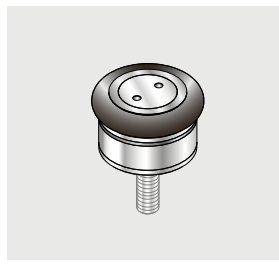
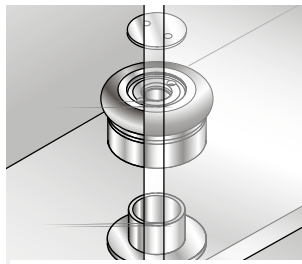
Stop at overpanel
(inside/outside)
for 10 and 12 mm glass,
Art. No. 8.29.335.700.99

Overpanel-sidelight connection
for 10/12 mm glass,
countersunk
Art. No. 8.29.320.700.99
AISI 316L
Art. No. 8.29.360.700.99
clamping disc
Art. No. 8.29.357.700.99
AISI 316L
Art. No. 8.29.372.700.99

Overpanel-sidelight connection
with stop inside
for 10/12 mm glass,
Art. No. 8.29.322.700.99

Overpanel-sidelight connection
with stop outside
for 10/12 mm glass,
Art. No. 8.29.325.700.99

Components for pivoting door system



Ordering information

Stop for pivoting door
floor mounting
Art. No. 8.29.950.700.99

Stop for pivoting door
wall mounting, short
Art. No. 8.29.951.700.99

Stop for pivoting door
wall mounting, long
Art. No. 8.29.952.700.99

Corner lock
for 8 - 12 mm glass,
Art. No. 8.21.448.700.99

Corner lock
with profile cylinder rose on
inside for 8 - 12 mm glass,
Art. No. 8.21.449.700.99

Dead lock for KABA
with rose on inside
for 8 - 12 mm glass
Art. No. 8.21.450.000.99

Profile cylinder
for corner lock
Art. No. 8.14.206.000.99

A Eccentric bushing
Art. No. 8.05.194.000.99

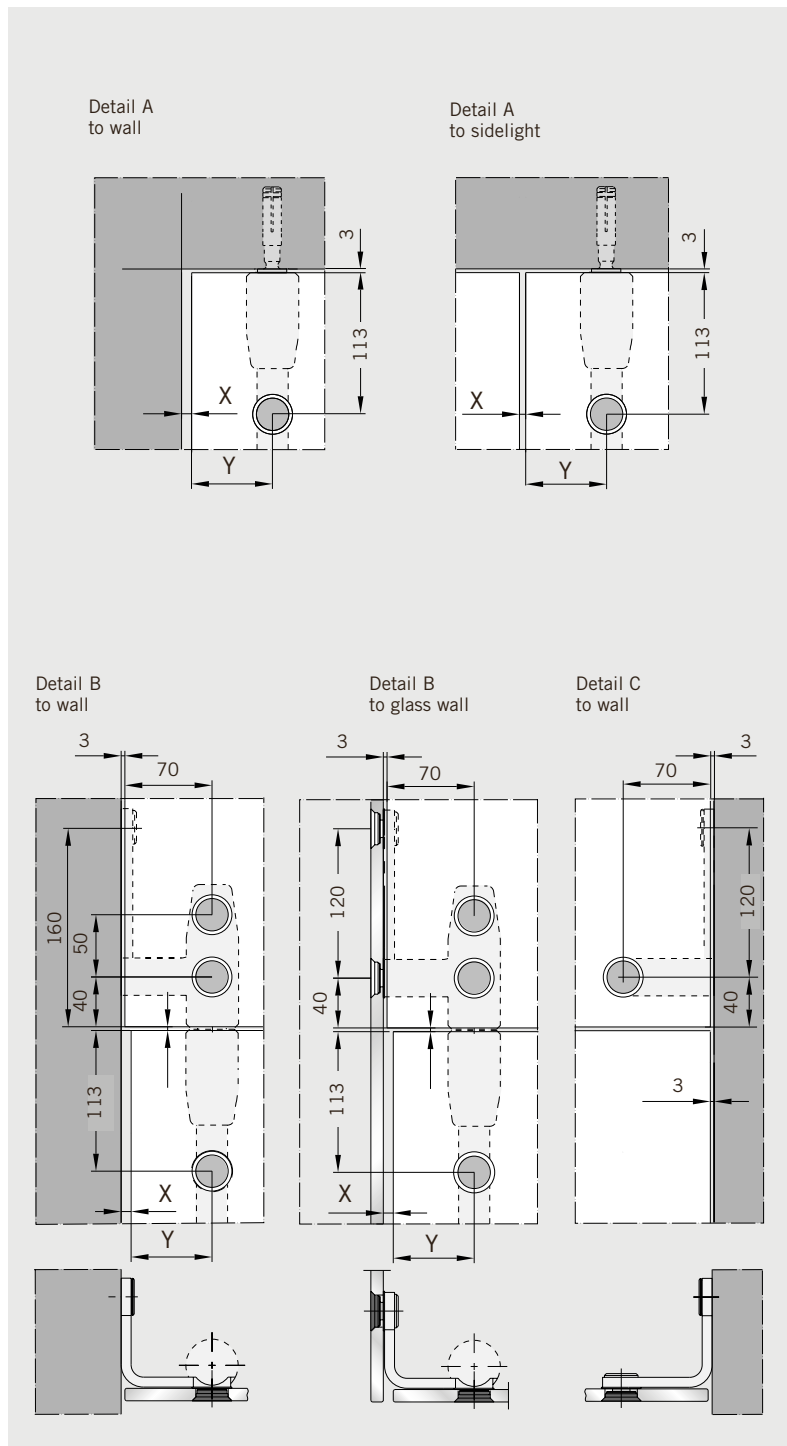
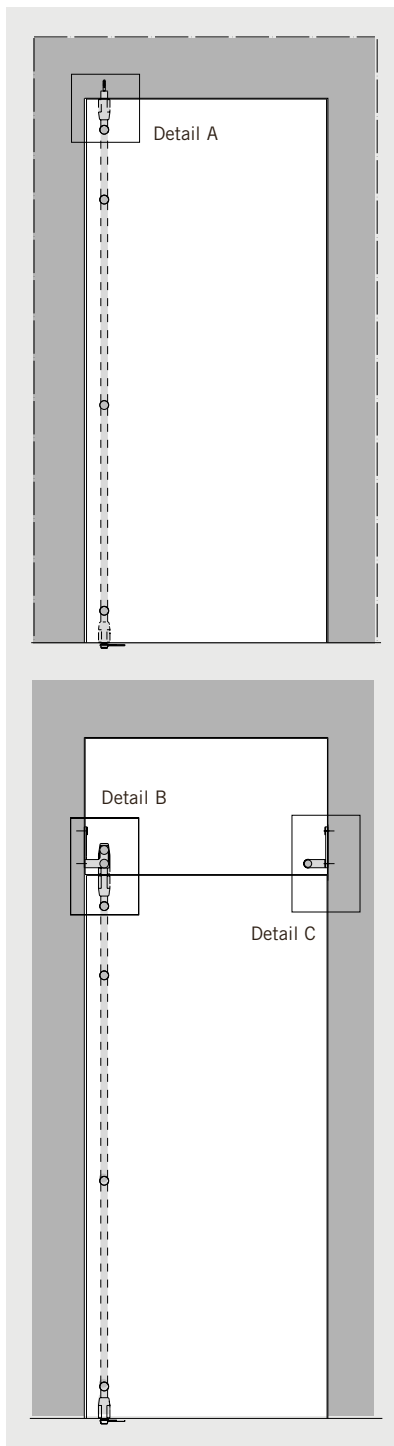
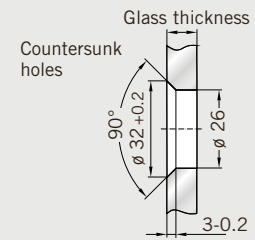
B Bushing, plastics
Art. No. 8.00.110.133.32

C Strike plate
Art. No. 8.05.190.000.99

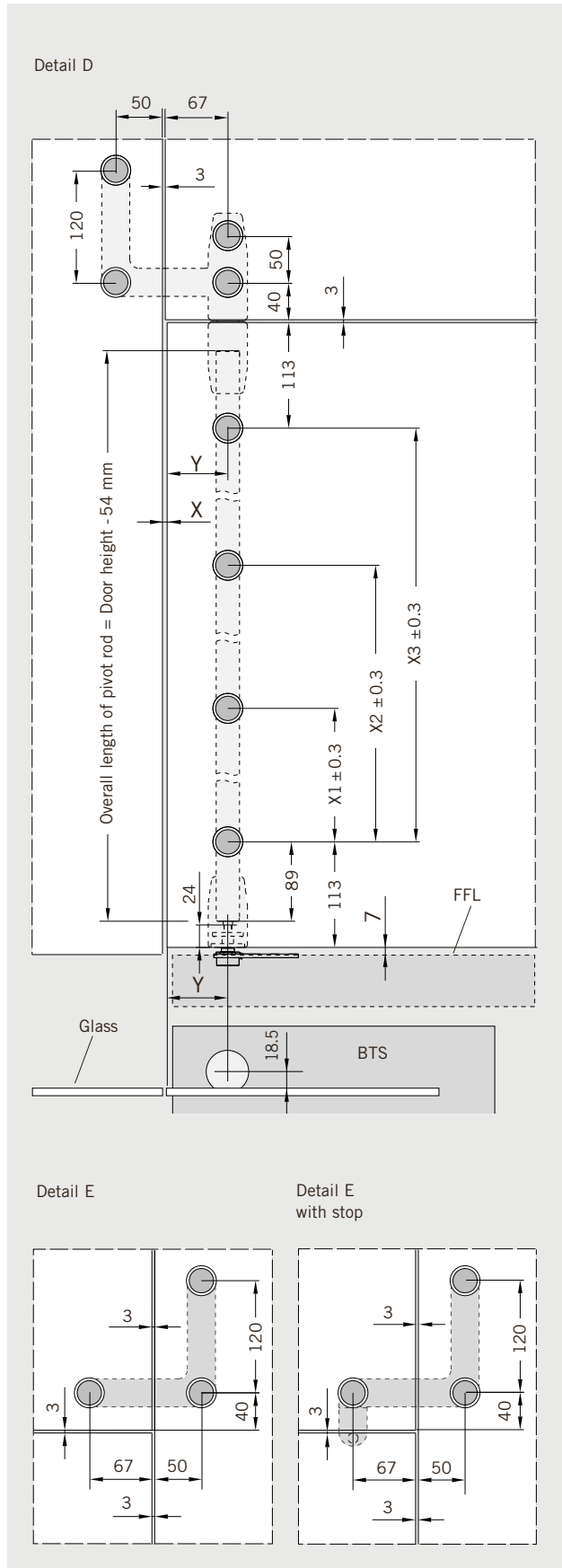
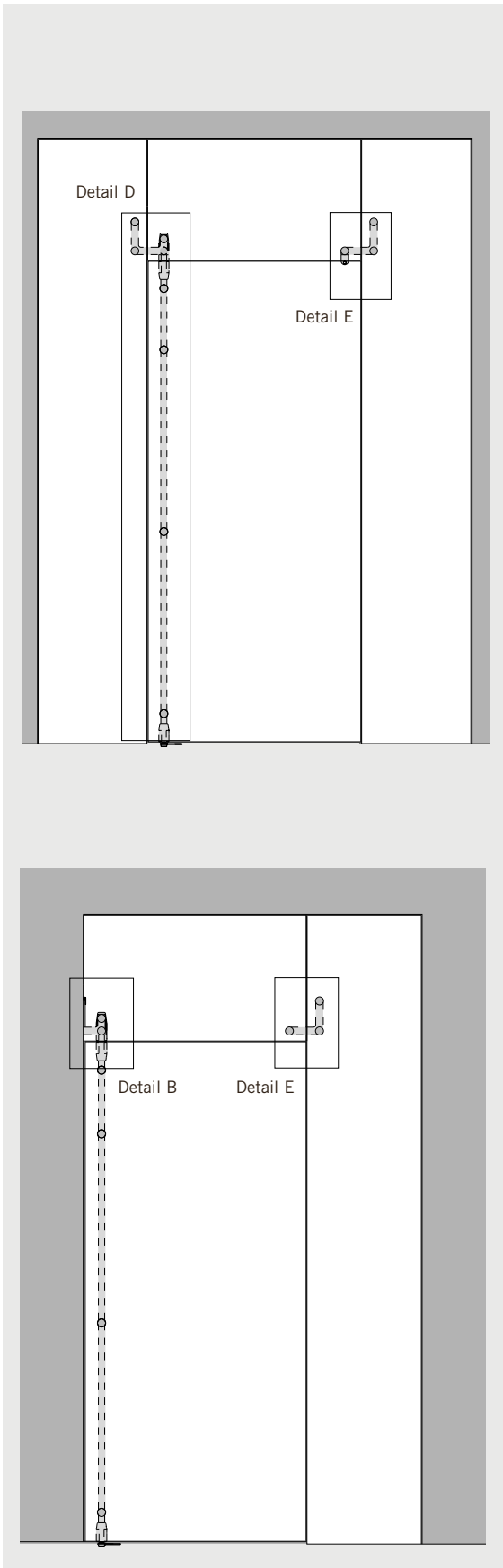
Components for pivoting door system

The gap and distance dimensions recommended by DORMA are indicated in the adjacent table.

Glass thickness mm	Connection	X Gap	Y
10/12	Sidelight	5	65
	Wall	8	
13.5 - 15.5	Sidelight	8	62
	Wall	11	



Glass preparation for pivoting door system



Sliding door system



Roller carrier TREND



Roller carrier CLASSIC

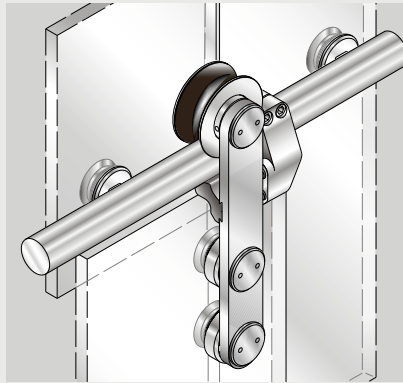
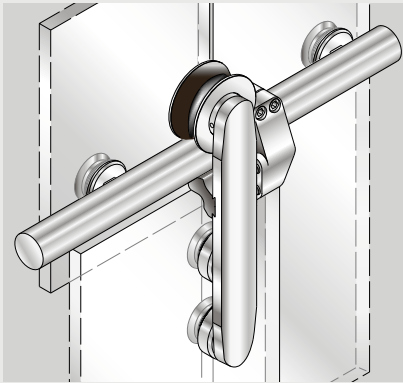
The MANET sliding door system is ideal as an elegant addition complementing high-style interior concepts. Its main components take the form of a solid track rail and the roller carrier. Whether you prefer the TREND or CLASSIC versions, both can be combined with the solid track or a tubular track by simply replacing the anti-jump device. The range includes both glass-flush and proud single-point fixings. The sliding door system allows plenty of scope for individual ideas.

In addition to the standard versions incorporated in toughened glass partitions or face-fixed on masonry openings, this hardware system can also be used to construct curved sliding doors, biparting sliding doors and parallel sliding doors. The fittings are designed for a door weight of max. 120 kg. Mechanical stops that can be positioned on the track rail ensure that the door travel distance is effectively limited.

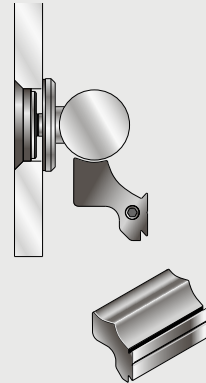
Roller carrier TREND

Roller carrier CLASSIC

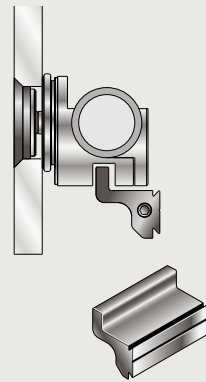
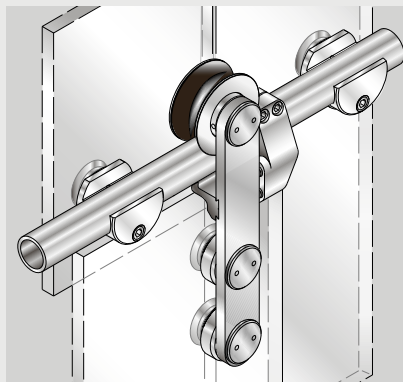
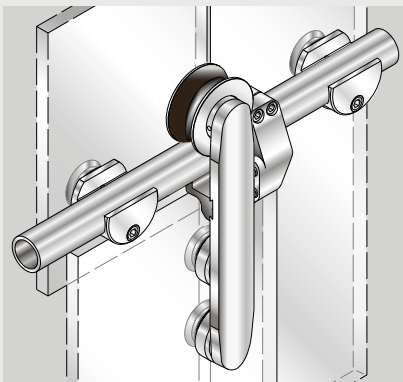
Glass connection with drilled solid track rails



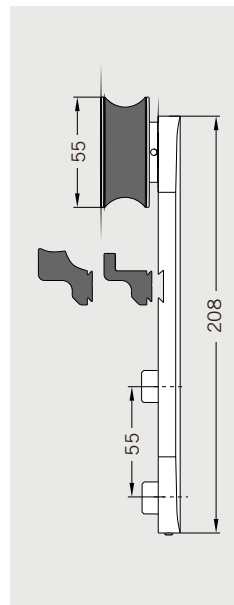
Different anti-jump devices for solid and tubular track rails



Glass connection with clamp fixing and tubes

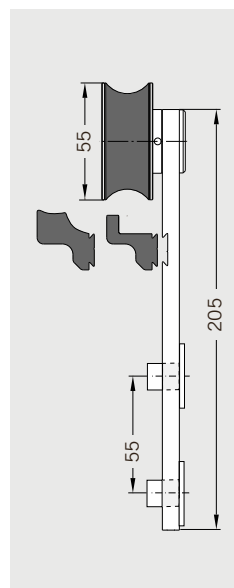
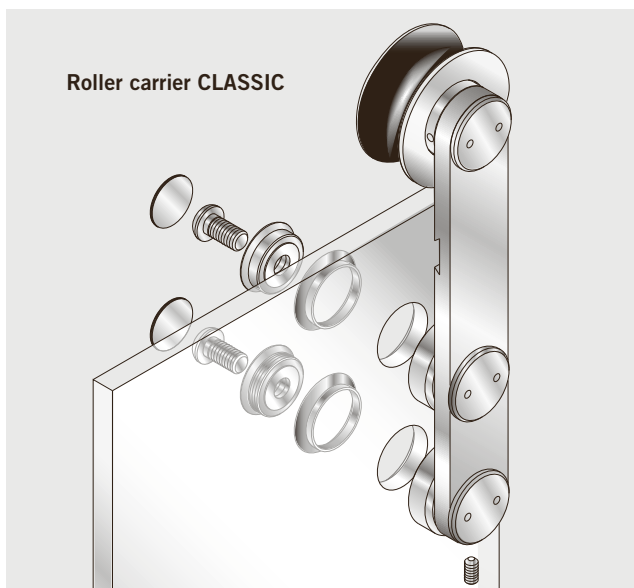


Roller carrier

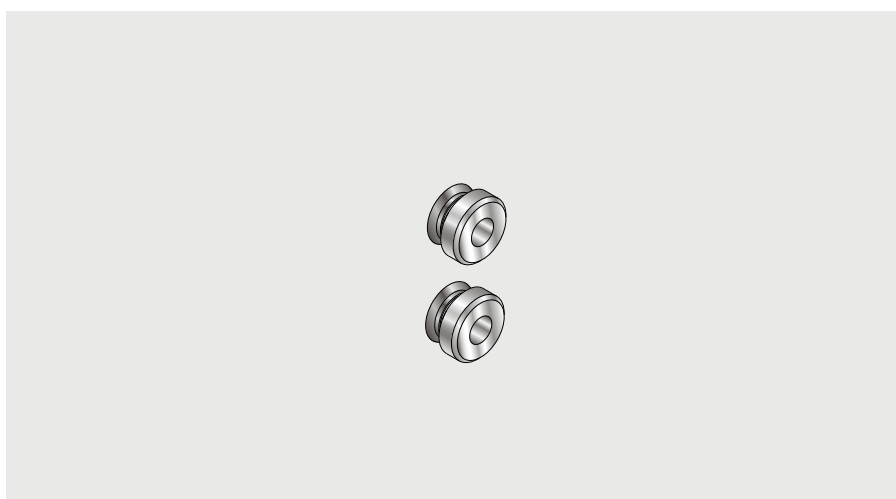


Ordering information

Roller carrier TREND
incl. anti-jump device
(both variants)
only lug with roller
Art. No. 8.29.414.700.99



Roller carrier CLASSIC
incl. anti-jump device
(both variants)
only lug with roller
Art. No. 8.29.400.700.99
AISI 316L
Art. No. 8.29.401.700.99



**2 piece single-point fixing
for roller carrier:**

countersunk 8-12 mm glass
Art. No. 8.29.430.700.99
AISI 316L
Art. No. 8.29.431.700.99
clamping disc 8-12mm glass
Art. No. 8.29.432.700.99
AISI 316L
Art. No. 8.29.433.700.99
countersunk
for 13.5-17.5 mm glass
Art. No. 8.29.435.700.99
countersunk f. 19 mm glass
Art. No. 8.29.437.700.99

Roller carrier single point fixings for timber doors

Insert solid track rail

Insert sliding track tube

Ordering information

2 pieces single point fixing for roller carrier:
TREND / CLASSIC
 countersunk or clamping disc

see table

For solid track rail	X	Z	max. door weight	Single-point fixing (2 pcs) for roller carrier		Flange fixing track to wall see page 27	Single-point fixing fixed for track to glass 10/12 mm, see page 26		Single-point fixing centering for track to glass 10/12 mm, see page 26	
	mm	mm	kg	Art. No.		Art. No.	Art. No.		Art. No.	
				countersunk	clamping disc		countersunk	clamping disc	countersunk	clamping disc
	20 - 30	18.5	120			21.346	29.460	29.465	29.462	29.467
	35 - 40	35	100	29.510	29.520	21.412	29.530	29.535	29.531	29.536

For sliding track tube	X	Z	max. door weight	Single-point fixing (2 pcs) for roller carrier		Clamp fixing for track to wall see page 29	Clamp fixing for track to glass see page 29	
	mm	mm	kg	Art. No.		Art. No.	Art. No.	
				countersunk	clamping disc		countersunk	clamping disc
	20 - 30	18.5	120			21.153	29.171	29.172
	35 - 40	35	100	29.510	29.520	21.157	29.518	29.519

Solid track rail Supply and installation

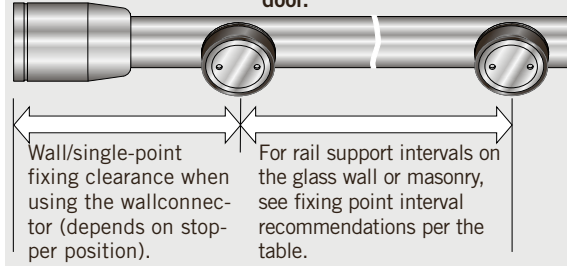
Track supply and installation

The track rail for the sliding door is pre-fabricated according to the customer's drawing and supplied together with the glass or wall brackets ordered for the application concerned.

Fixing screws for wall installation by others

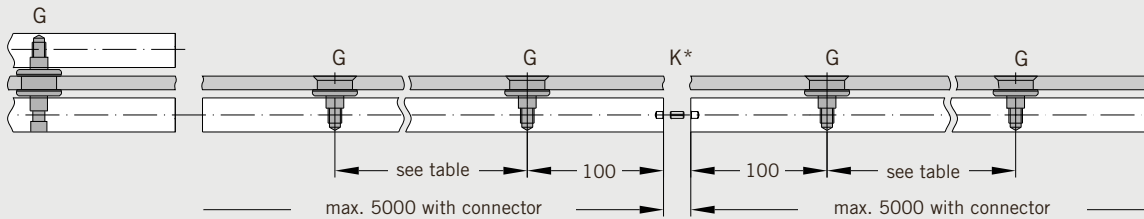
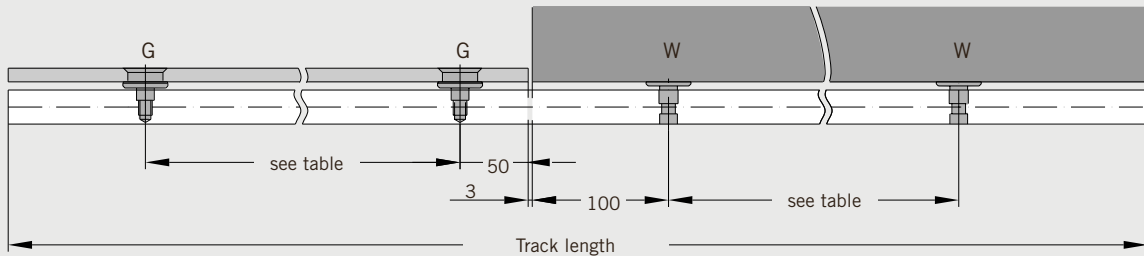
Of decisive importance for pre-fabrication and fixing to glass partitions is that the mounting points coincide with the holes drilled in the glass. The lengthwise tolerances should not be greater than +/- 0.3 mm.

Caution! Ensure that the stops/single-point fixings are positioned at locations appropriate to the width of the door.

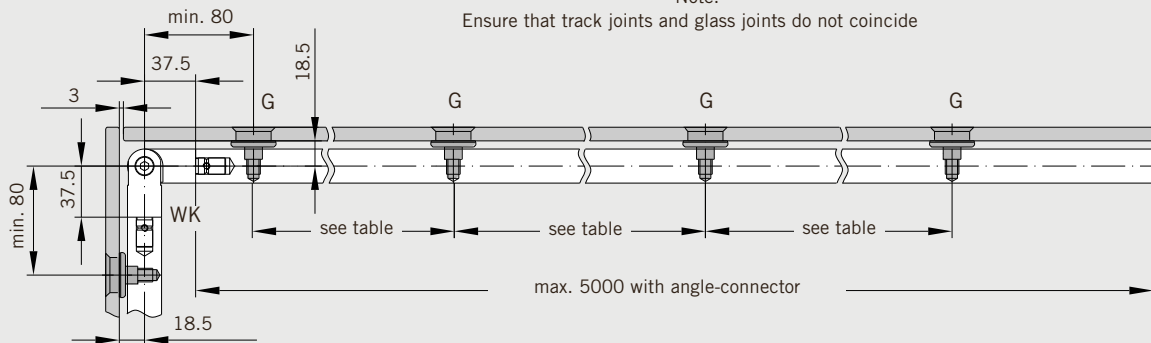


Required dimensions for the track production

G = Fixing point to glass
 W = Fixing point to wall
 K = Connection
 WK = Angle-connection



* Note!
 Ensure that track joints and glass joints do not coincide



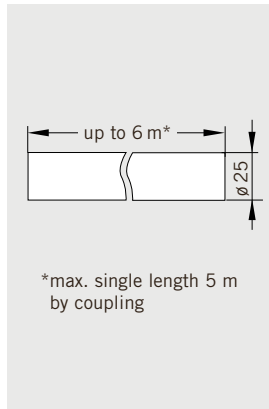
Recommended distance of the track fixing points

Door height in mm	Door width in mm																										
	700			800			900			1000			1100			1200			1300			1400					
	Glass thckn. mm			Glass thckn. mm			Glass thckn. mm			Glass thckn. mm			Glass thckn. mm			Glass thckn. mm			Glass thckn. mm			Glass thckn. mm					
	8	10	12	8	10	12	8	10	12	8	10	12	8	10	12	8	10	12	8	10	12	8	10	12	8	10	12
1900	770	710	670	770	720	670	770	710	670	760	710	670	760	700	660	750	700	650	740	690	650	730	680	640	730	680	640
2000	750	700	650	750	700	660	750	690	650	740	690	650	740	680	640	730	680	640	720	670	630	720	660	630	720	660	630
2100	730	680	640	730	680	640	730	680	640	730	670	630	720	670	630	710	660	620	710	660	620	700	650	610	700	650	610
2200	710	660	620	710	660	620	710	660	620	710	660	620	700	650	610	700	650	610	690	640	600	680	630	600	680	630	600
2300	690	640	610	700	650	610	700	650	610	690	640	600	690	640	600	680	630	600	680	630	590	670	620	580	670	620	580
2400	680	630	590	680	630	590	680	630	590	680	630	590	670	620	590	670	620	580	660	610	580	660	610	580	660	610	-
2500	660	610	580	670	620	580	670	620	580	660	620	580	660	610	580	650	610	570	650	600	570	640	600	570	640	600	-

Components for sliding door system Solid track rail and accessories

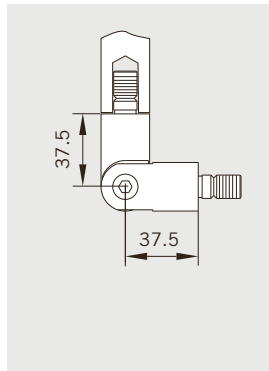
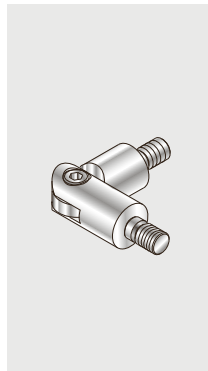
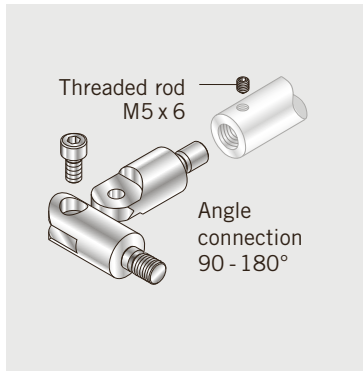


The track rail is prefabricated per customer specifications/drawing with all the necessary drill holes already provided.



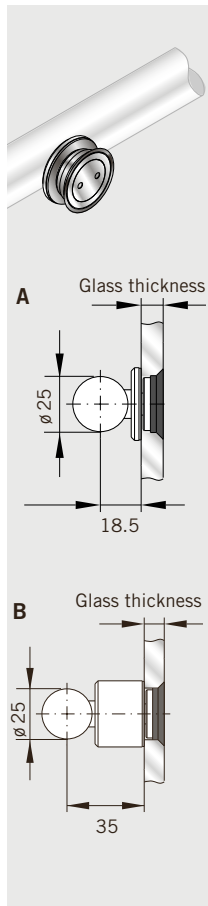
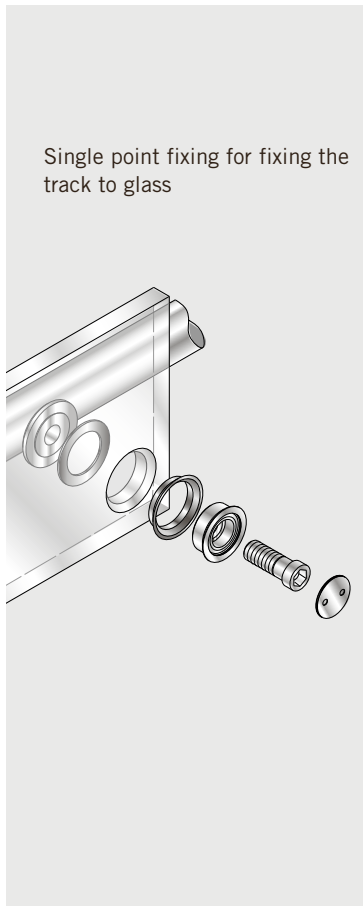
Ordering information

Track, drilled
for fixing on glass
fixed length up to 6 m
Art. No. 8.21.405.700.99
AISI 316L
Art. No. 8.21.456.700.99
for fixing on wall
up to 6 m
Art. No. 8.21.406.700.99
AISI 316L
Art. No. 8.21.457.700.99



Track, undrilled
for fixing with clamp brackets
fixed length up to 6 m
8.21.407.700.99
do. (AISI 316L)
8.21.458.700.99

Connectors
offset for tracks 90 - 180°
Art. No. 8.21.442.700.99
do. (AISI 316L)
8.21.443.700.99



A for *X = 20 - 30 mm
Single-point fixing, countersunk, fixed
for 10/12 mm glass
Art. No. 8.29.460.700.99
AISI 316L
Art. No. 8.29.461.700.99
for 13.5 - 15.5 mm glass
Art. No. 8.29.450.700.99
for 17.5 mm glass
Art. No. 8.29.451.700.99
clamping disc, fixed
for 10/12 mm glass
Art. No. 8.29.465.700.99
AISI 316L
Art. No. 8.29.466.700.99
countersunk, centring
for 10/12 mm glass
Art. No. 8.29.462.700.99
AISI 316L
Art. No. 8.29.463.700.99
for 13.5 - 15.5 mm glass
Art. No. 8.29.455.700.99
for 17.5 mm glass
Art. No. 8.29.456.700.99
clamping disc, centring
for 10/12 mm glass
Art. No. 8.29.467.700.99
AISI 316L
Art. No. 8.29.468.700.99

B for *X = 35 - 40 mm
Single-point fixing, countersunk, fixed
for 10/12 mm glass
Art. No. 8.29.530.700.99

clamping disc, fixed
for 10/12 mm Glass
Art. No. 8.29.535.700.99

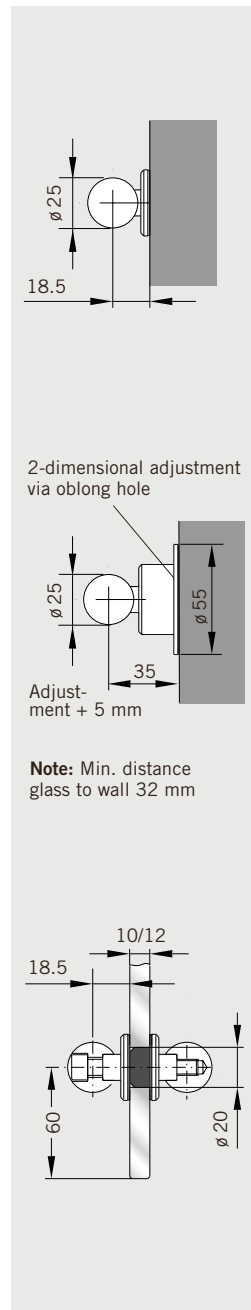
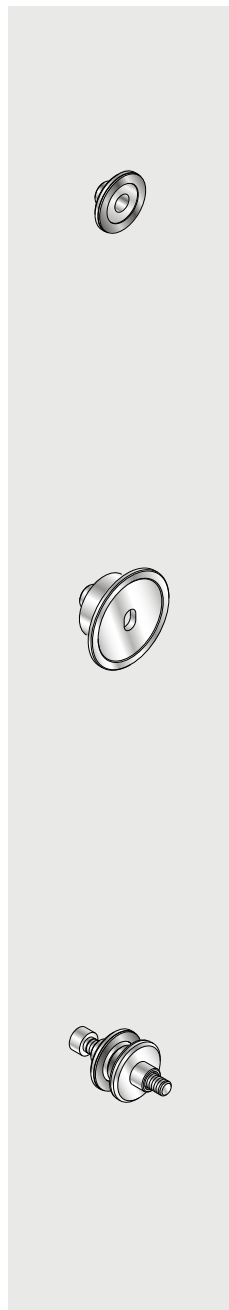
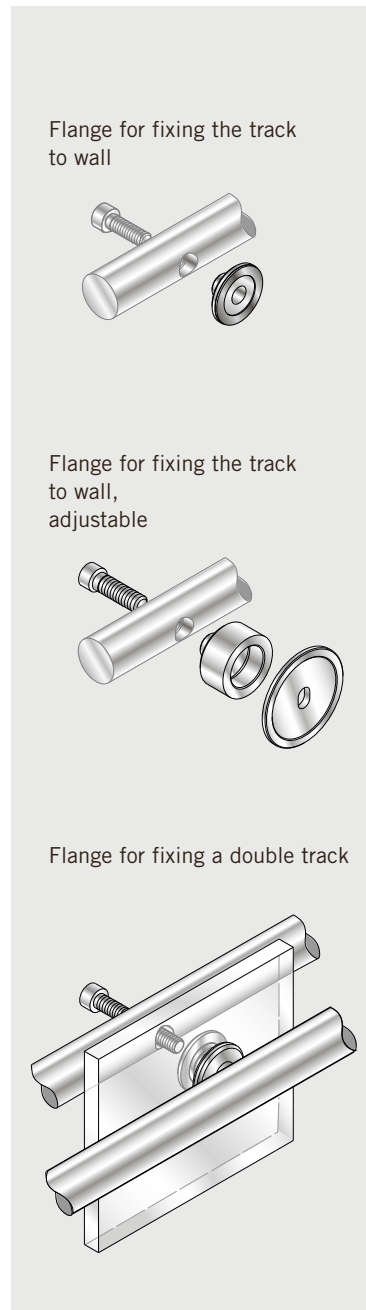
countersunk, centring
for 10/12 mm glass
Art. No. 8.29.531.700.99

clamping disc, centring
for 10/12 mm glass
Art. No. 8.29.536.700.99

Recommended distance of the fixing points see page 25

*for X see page 24

Components for sliding door system Solid track rail and accessories

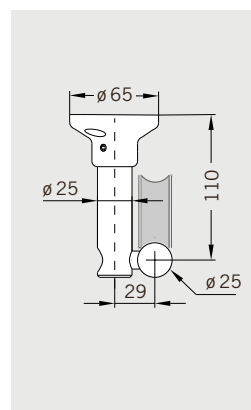
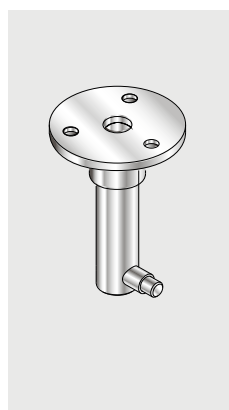
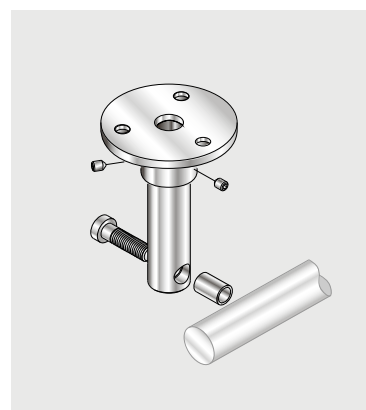


Ordering information

Flange for fixing the track to wall
 Art. No. 8.21.346.700.99
 AISI 316L
 Art. No. 8.21.347.700.99

Flange for fixing the track to wall, adjustable
 Art. No. 8.21.412.700.99

Fixing for double track
 Art. No. 8.21.170.700.99

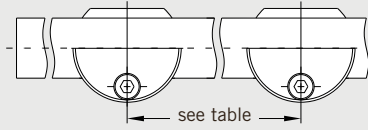


Ceiling retainer for track carrying function
 Art. No. 8.21.315.700.99

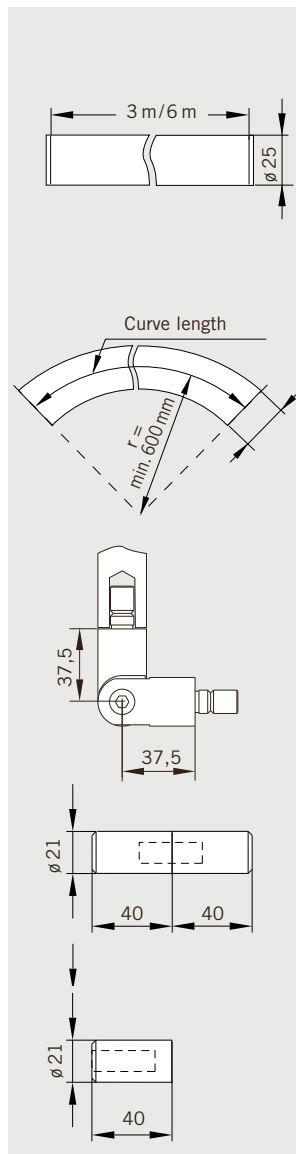
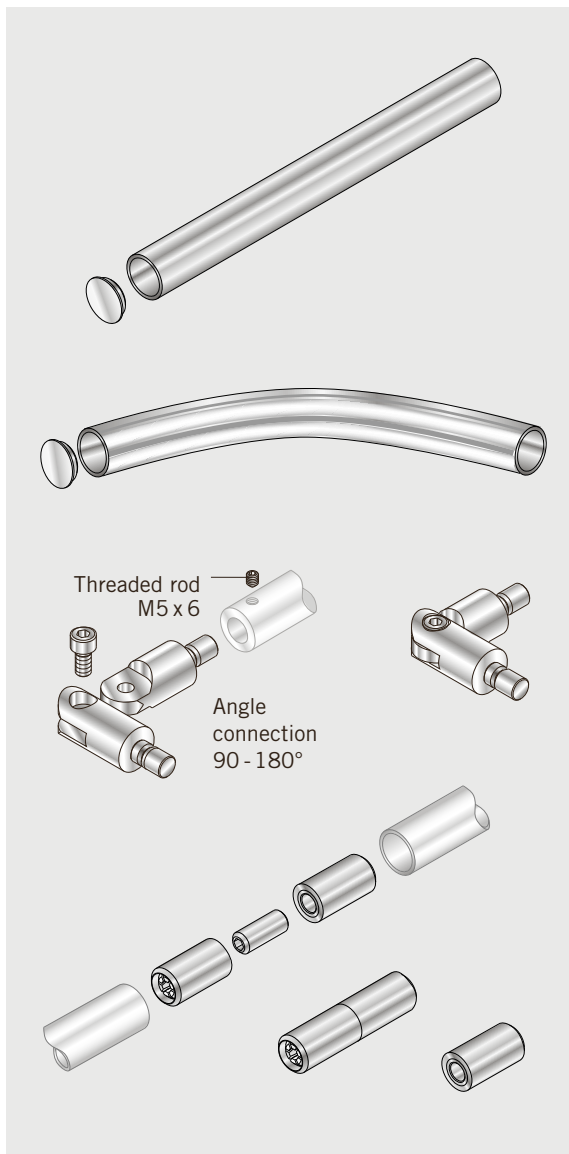
Recommended distance of the fixing points see page 25

Components for sliding door system Tube and accessories

Recommended distance of the track fixing points



Door height in mm	Door width in mm																										
	700			800			900			1000			1100			1200			1300			1400					
	Glass thickn. mm			Glass thickn. mm			Glass thickn. mm			Glass thickn. mm			Glass thickn. mm			Glass thickn. mm			Glass thickn. mm			Glass thickn. mm					
	8	10	12	8	10	12	8	10	12	8	10	12	8	10	12	8	10	12	8	10	12	8	10	12	8	10	12
1900	350	350	350	400	400	400	450	450	450	500	500	500	550	550	530	600	550	520	590	550	510	580	540	510	580	540	510
2000	350	350	350	400	400	400	450	450	450	500	500	500	550	540	510	580	540	510	570	530	500	570	530	500	570	530	500
2100	350	350	350	400	400	400	450	450	450	500	500	500	550	530	500	570	530	500	560	520	490	560	520	490	560	520	490
2200	350	350	350	400	400	400	450	450	450	500	500	490	550	520	490	550	510	480	550	510	480	540	500	470	540	500	470
2300	350	350	350	400	400	400	450	450	450	500	500	480	550	510	480	540	500	470	540	500	470	530	490	460	530	490	460
2400	350	350	350	400	400	400	450	450	450	500	500	470	530	500	470	530	490	460	530	490	460	520	480	450	520	480	450
2500	350	350	350	400	400	400	450	450	450	500	490	460	520	490	460	520	480	450	520	480	450	510	470	440	510	470	440



Ordering information

Sliding track tube

incl. end plugs
 stock length 3 m
 Art. No. 8.21.527.700.99
 AISI 316L
 Art. No. 8.21.530.700.99
 Fixed length up to 6 m
 Art. No. 8.21.436.700.99
 AISI 316L
 Art. No. 8.21.532.700.99

Sliding track tube

bent, incl. end plugs
 max. curve length 2.6 m
 Art. No. 8.21.409.700.99
 max. curve length 5.6 m
 Art. No. 8.21.413.700.99

Angled connection for track tube, 90°-180°

Art. No. 8.21.535.700.99
 AISI 316L
 Art. No. 8.21.536.700.99

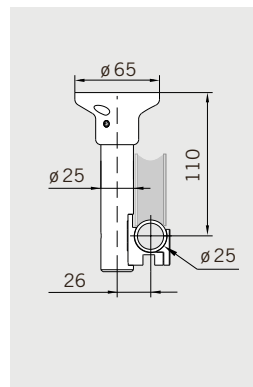
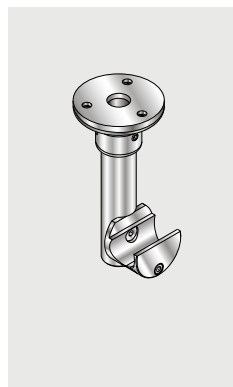
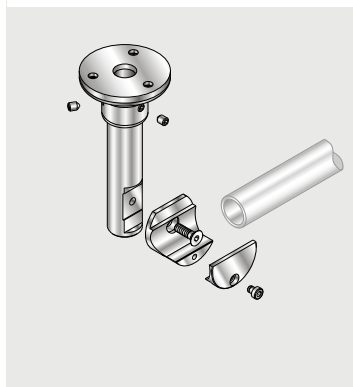
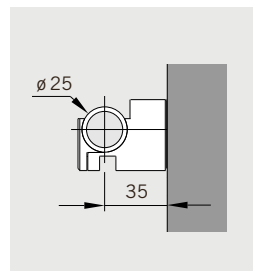
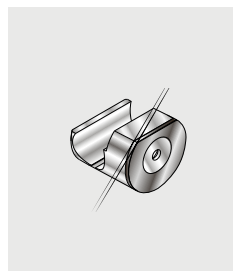
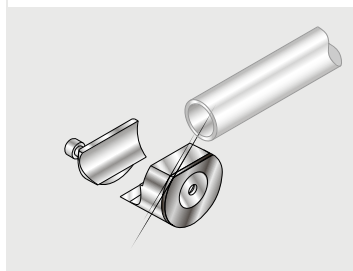
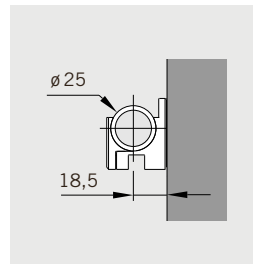
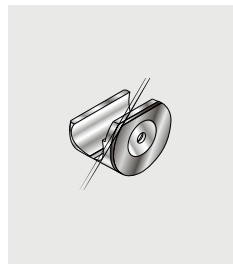
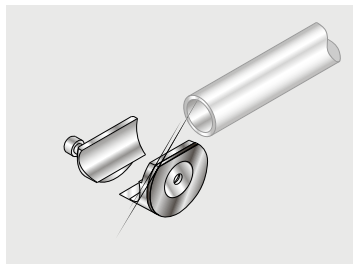
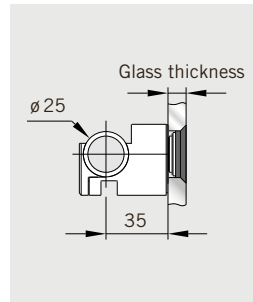
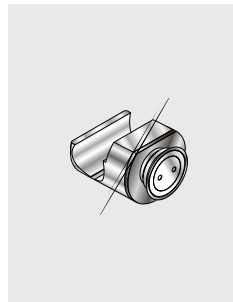
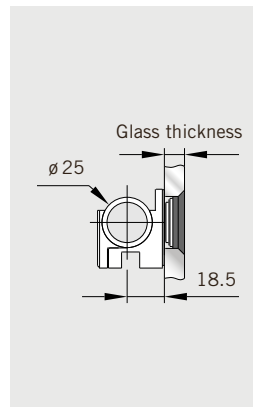
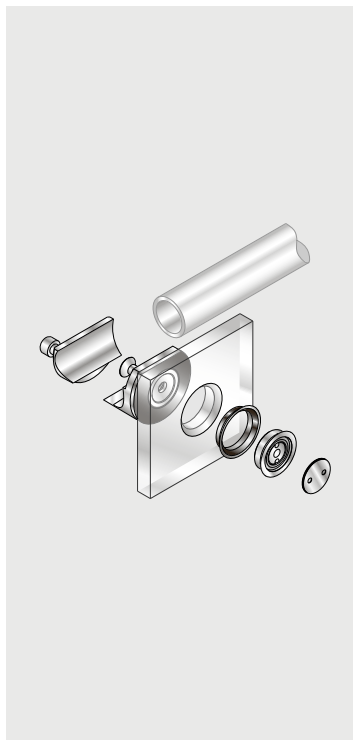
Angle connection

for sliding track tube
 Art. No. 8.29.506.700.99

Thread insert

for sliding track tube
 Art. No. 8.29.505.700.99

Components for sliding door system Tube and accessories



Ordering information

Clamp fixing

for sliding track tube to glass, single-point fixing countersunk
for 10, 12 and 13.5 mm glass
Art. No. 8.29.171.700.99
AISI 316L

Art. No. 8.29.181.700.99

single-point fixing, clamping disc
for 10, 12 and 13.5 mm glass
Art. No. 8.29.172.700.99
AISI 316L

Art. No. 8.29.182.700.99

16 mm extended
single-point fixing,
countersunk
for 10, 12 and 13.5 mm glass
Art. No. 8.29.518.700.99

single-point fixing,
clamping disc
for 10, 12 and 13.5 mm glass
Art. No. 8.29.519.700.99

Clamp fixing

for sliding track tube to wall
Art. No. 8.21.153.700.99
AISI 316L

Art. No. 8.21.163.700.99

Clamp fixing

for sliding track tube to wall
16 mm extended
Art. No. 8.21.157.700.99
AISI 316L

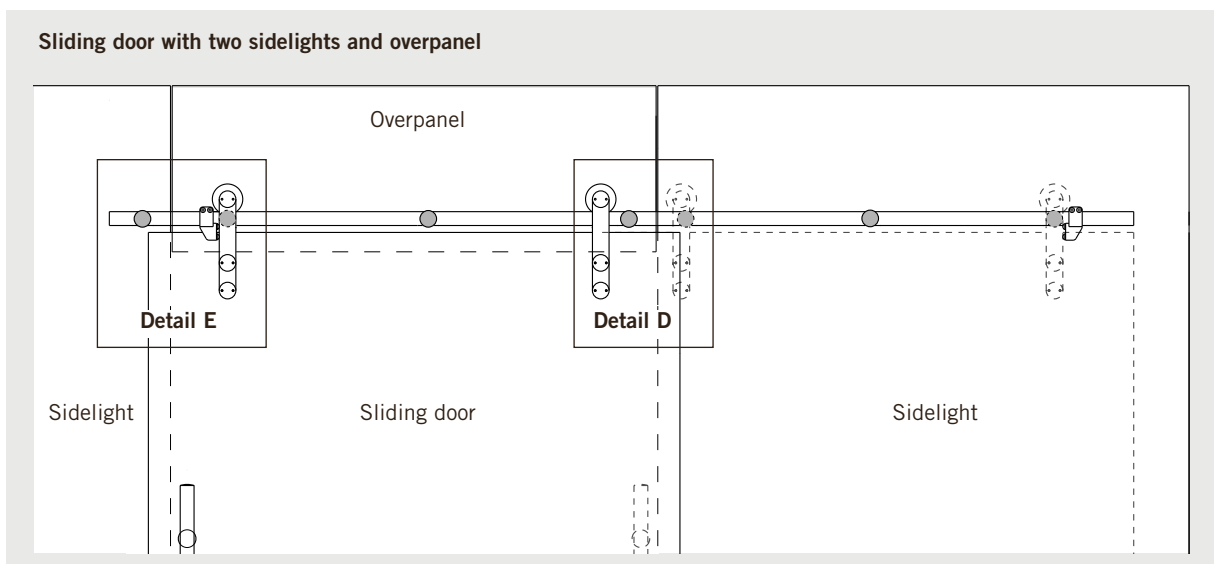
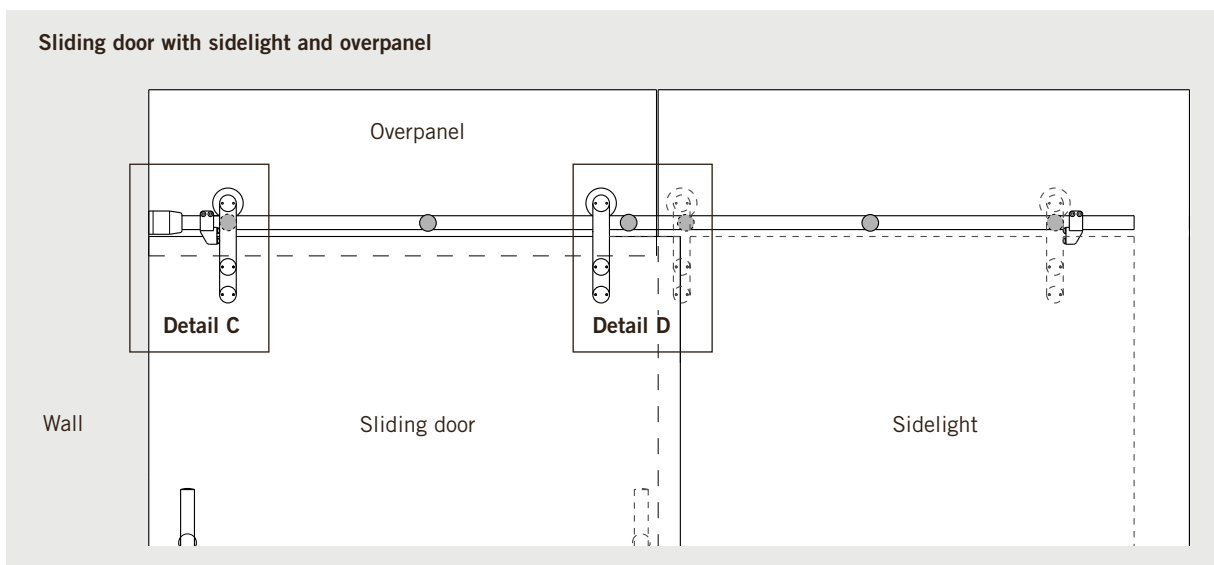
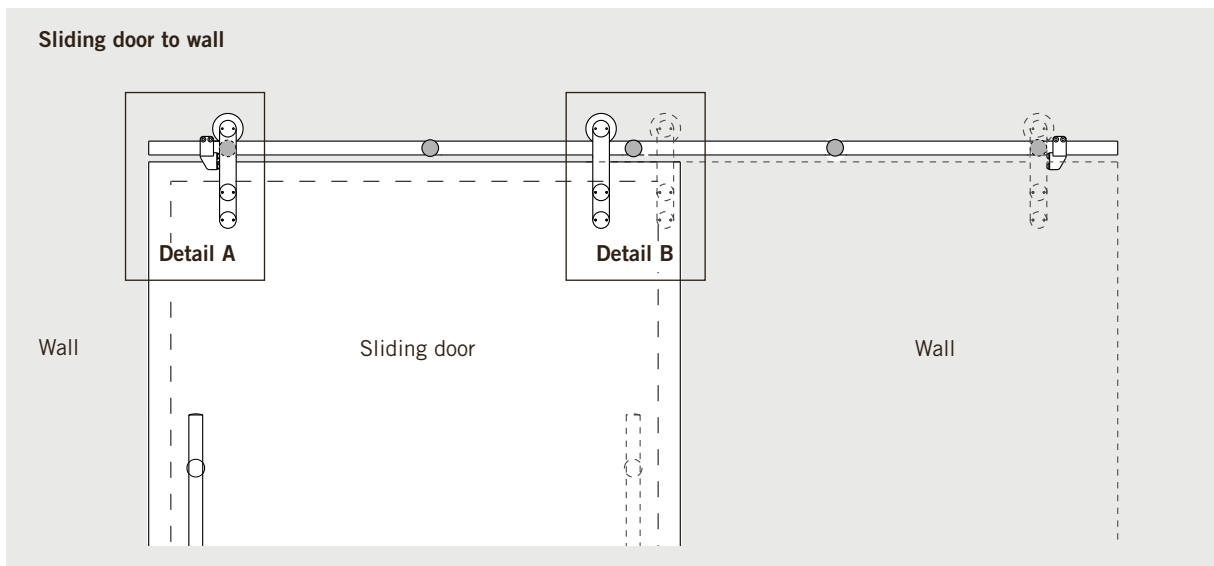
Art. No. 8.21.158.700.99

Ceiling retainer

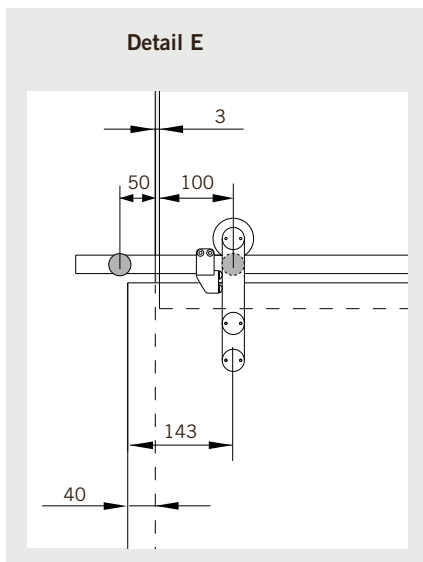
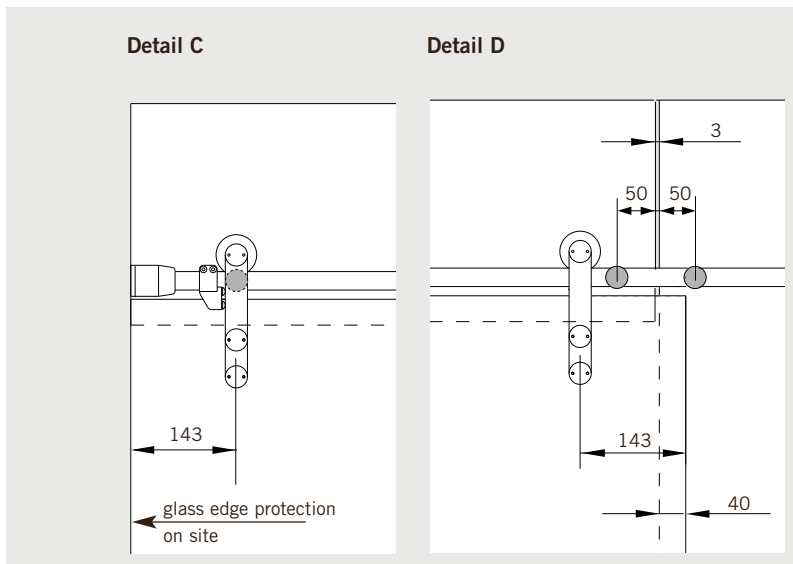
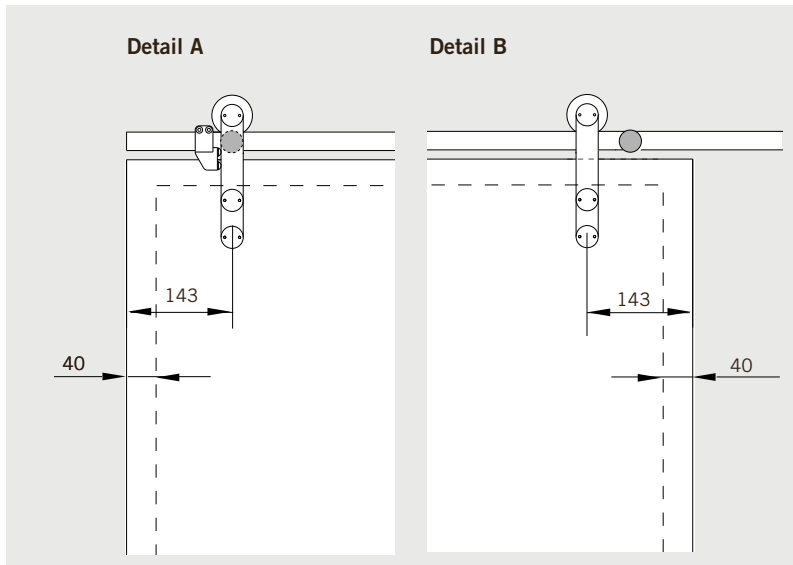
for sliding track tube,
carrying function

Art. No. 8.21.316.700.99

Glass preparation for sliding door system



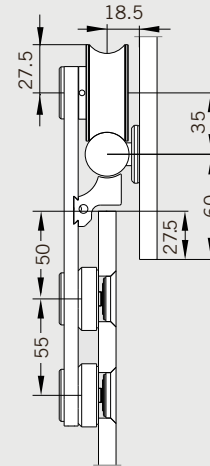
Glass preparation for sliding door system



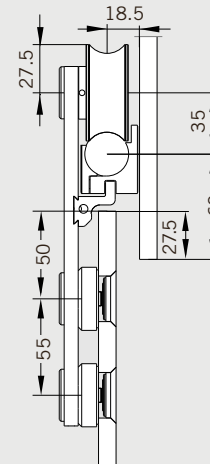
Dimensional data should be regarded exclusively as recommended values. Please remember when designing your system that the positions of the stops and point fixings must not vertically coincide.

For spacing/interval recommendations when drilling the track holes, and for requisite dimensions for fixing the track rail, please refer to the table entitled "Recommended distance of the track fixing points".

Sliding door with solid track rail

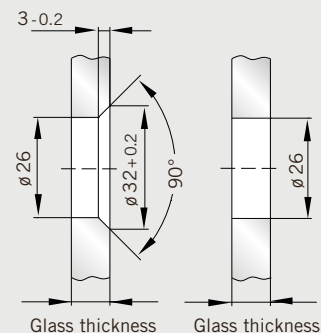


Sliding door with tube and clamp fixing

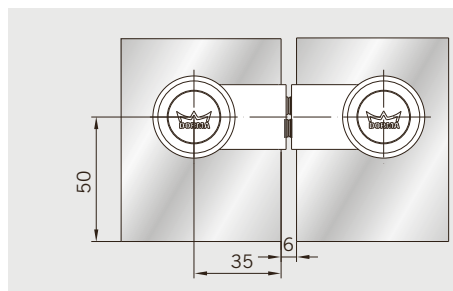
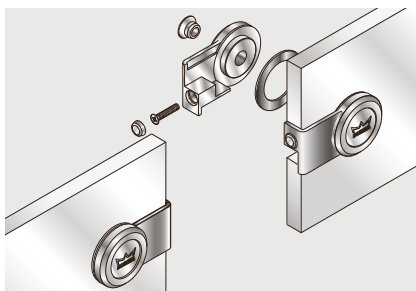
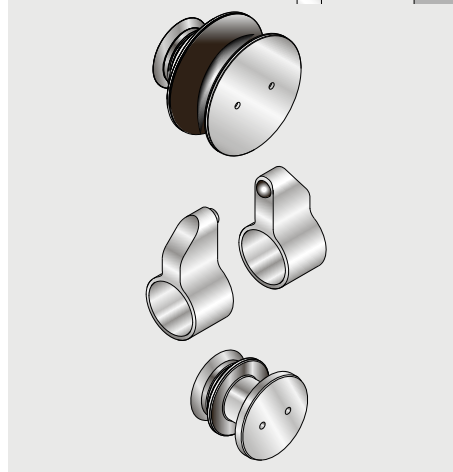
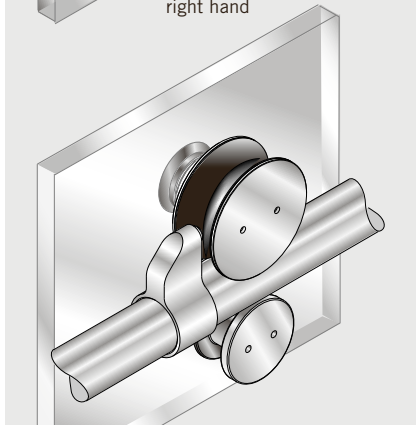
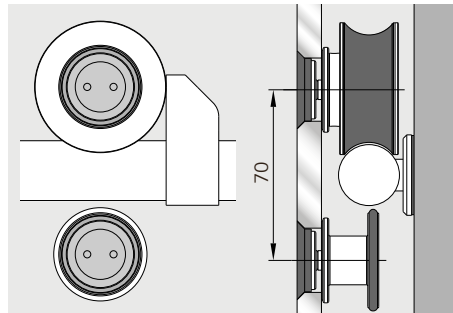
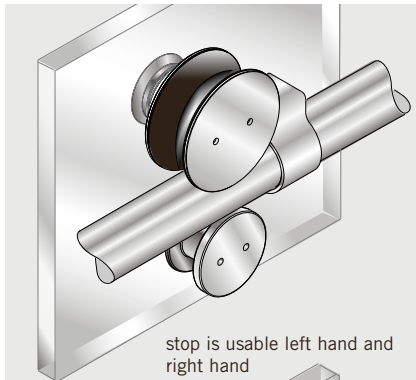
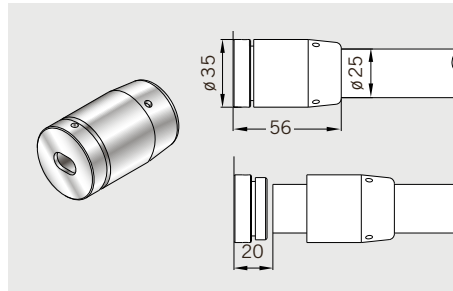
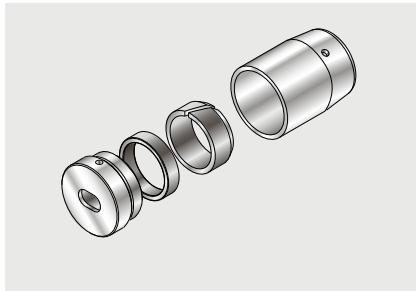
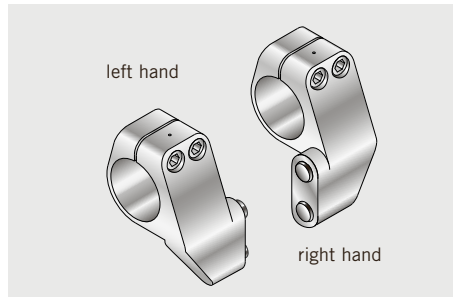
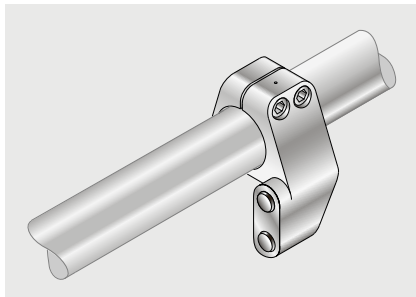


Countersunk bore for countersunk single-point fixings

Cylindrical bore for clamping disc single-point fixings



Components for sliding door system



Ordering information

Door stop

left hand

Art. No. 8.29.425.700.99

AISI 316L

Art. No. 8.29.427.700.99

right hand

Art. No. 8.29.426.700.99

AISI 316L

Art. No. 8.29.428.700.99

Wall fixing for tube /solid track rail

Art. No. 8.29.445.700.99

AISI 316L

Art. No. 8.29.446.700.99

Roller to glass

for 8 - 12 mm glass, countersunk

Art. No. 8.29.494.700.99

clamping disc

Art. No. 8.29.495.700.99

Door stop

for roller to glass

Art. No. 8.29.493.700.99

AISI 316L

Art. No. 8.29.483.700.99

Anti-jump device

for roller to glass for 8 - 12 mm glass, countersunk

Art. No. 8.29.497.700.99

clamping disc

Art. No. 8.29.498.700.99

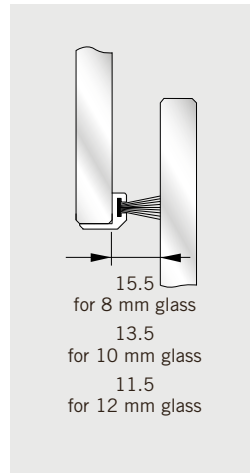
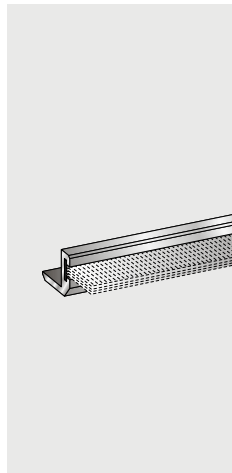
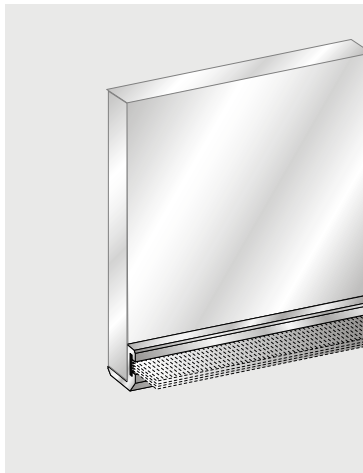
Door steady,

to prevent glass edges of double sliding doors bumping into each other

Art. No. 8.29.420.000.99

Please order for details for glass preparations our detail sheet 29-044-B.

Components for sliding door system



Ordering information

Aluminium brush profile

similar satin stainless steel

for 8 mm glass

stock length 3 m

Art. No. 8.07.402.113.99

fixed length up to 6 m

Art. No. 8.07.403.113.99

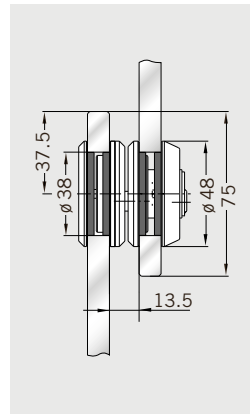
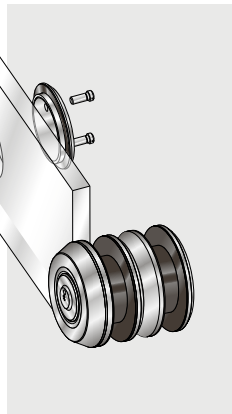
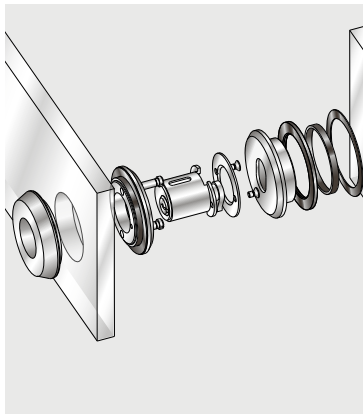
for 10/12 mm glass

stock length 3 m

Art. No. 8.07.400.113.99

fixed length up to 6 m

Art. No. 8.07.401.113.99

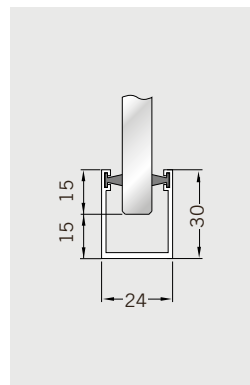
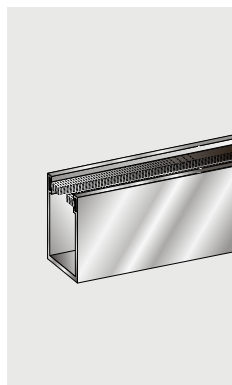
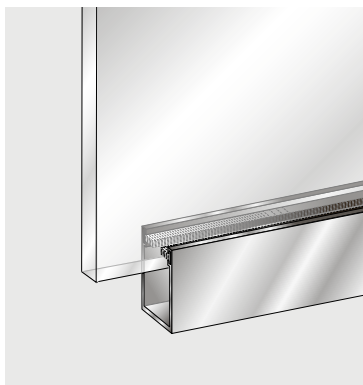


Sliding door lock with ratchet brace

for 8/10/12 mm glass

Art. No. 8.21.446.700.99

AISI 316L



Guide rail with brush seals

applicable for

8/10/12 mm glass

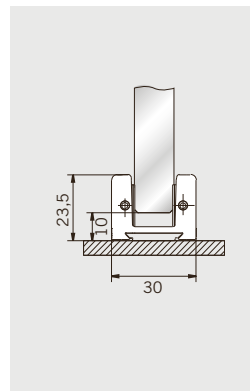
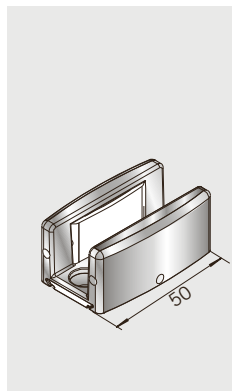
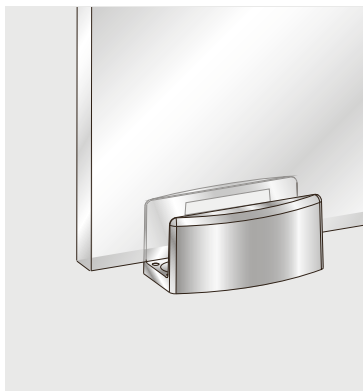
aluminium mill finished

fixed length up to 6 m

Art. No. 8.21.431.100.99

stock length 3 m

Art. No. 8.21.432.100.99



Floor guide

clamping disc,

applicable for

8/13.5 mm glass

Art. No. 8.07.316.000.99

Pull handles and door knobs

The pull handle/knob system is designed for glass of 8, 10 and 12 mm thickness. The pull handles can be fixed to both sliding and pivoting (swing) doors on one face using the appropriate connectors or on both faces by through-bolting (back-to-back arrangement). The single-point fixings and through bolts are included as standard equipment in the scope of supply. The pull handles can be fitted horizontally, vertically or in a handrail arrangement.



Ordering information

Pull handles with single-point fixings, countersunk for 8/10/12 mm glass

Pull handle 350 mm with 2 fixings
Art. No. 8.29.268.700.99
AISI 316L
Art. No. 8.29.269.700.99

Pull handle 720 mm with 2 fixings
Art. No. 8.29.271.700.99
AISI 316L
Art. No. 8.29.272.700.99

Pull handle 1240 mm with 3 fixings
Art. No. 8.29.274.700.99
AISI 316L
Art. No. 8.29.275.700.99

Pull handle 1760 mm with 4 fixings
Art. No. 8.29.277.700.99
AISI 316L
Art. No. 8.29.278.700.99

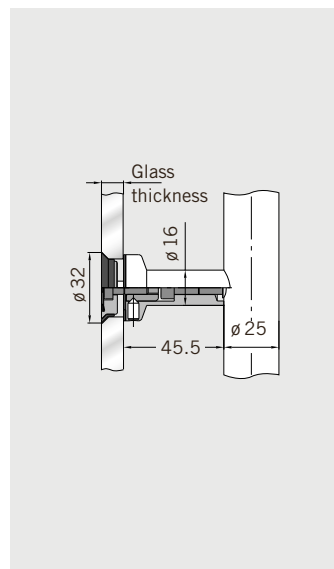
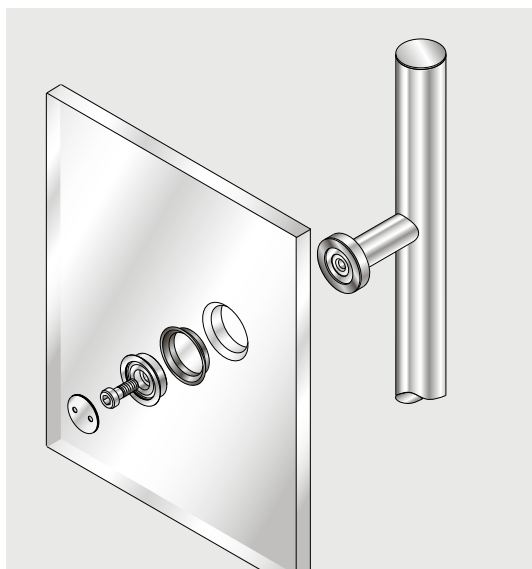
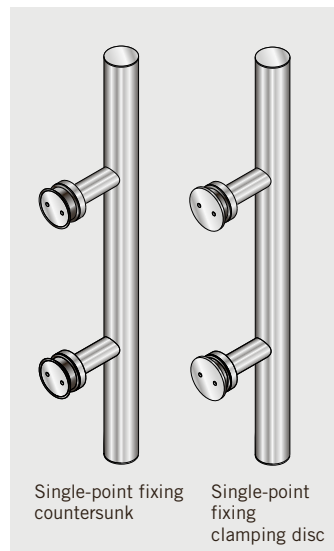
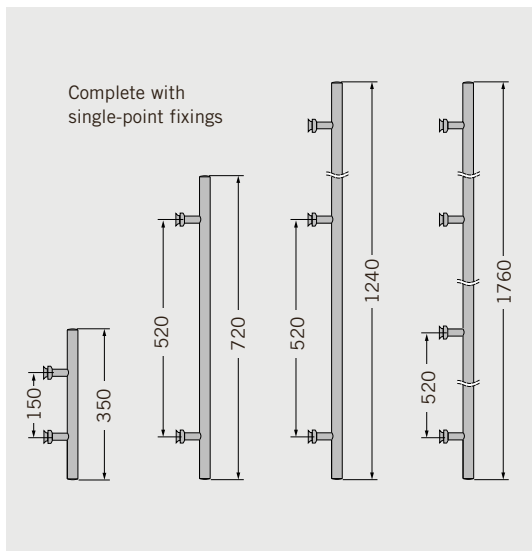
Pull handles with clamping disc single-point fixings for 8/10/12 mm glass

Pull handle 350 mm with 2 fixings
Art. No. 8.21.240.700.99
AISI 316L
Art. No. 8.21.280.700.99

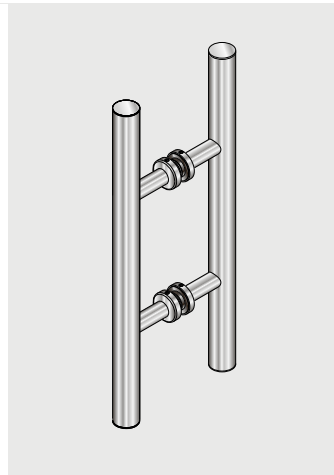
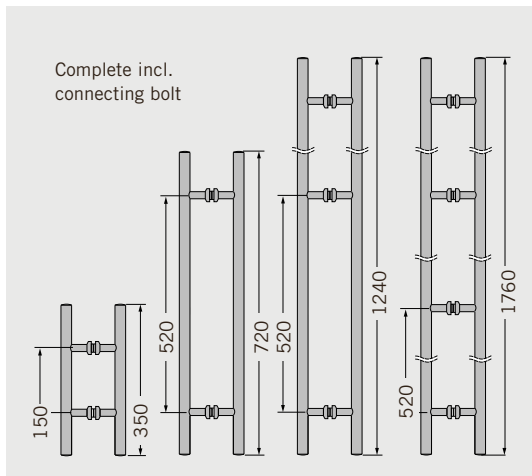
Pull handle 720 mm with 2 fixings
Art. No. 8.21.241.700.99
AISI 316L
Art. No. 8.21.281.700.99

Pull handle 1240 mm with 3 fixings
Art. No. 8.21.242.700.99
AISI 316L
Art. No. 8.21.282.700.99

Pull handle 1760 mm with 4 fixings
Art. No. 8.21.243.700.99
AISI 316L
Art. No. 8.21.283.700.99



Pull handles and door knobs

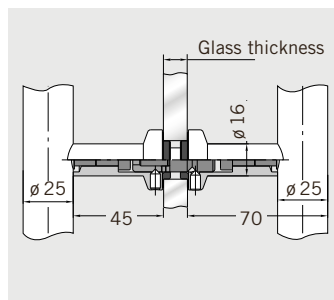
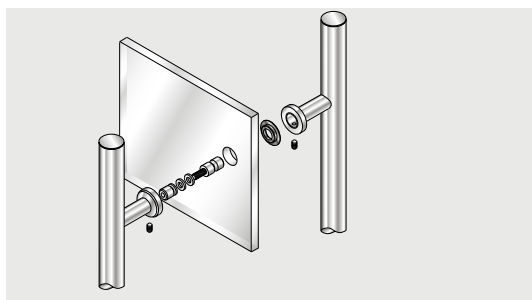


Ordering information

Pair of pull handles
incl. connecting bolt
for 8/10/12 mm glass

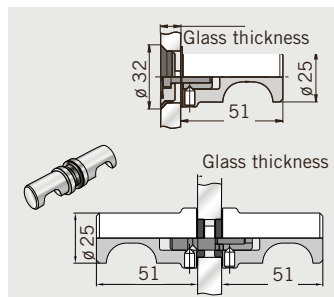
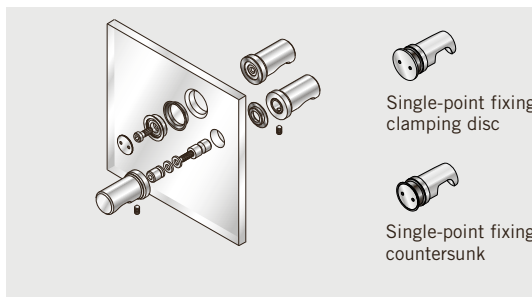
Pair of pull handles
350 mm, with 2 fixings
Art. No. 8.21.267.700.99
AISI 316L
Art. No. 8.21.247.700.99

Pair of pull handles
720 mm, with 2 fixings
Art. No. 8.21.270.700.99
AISI 316L
Art. No. 8.21.250.700.99



Pair of pull handles
1240 mm, with 3 fixings
Art. No. 8.21.273.700.99
AISI 316L
Art. No. 8.21.253.700.99

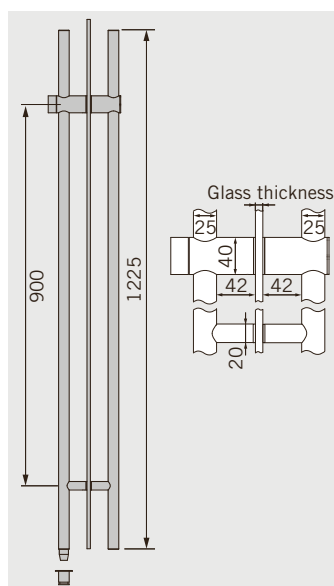
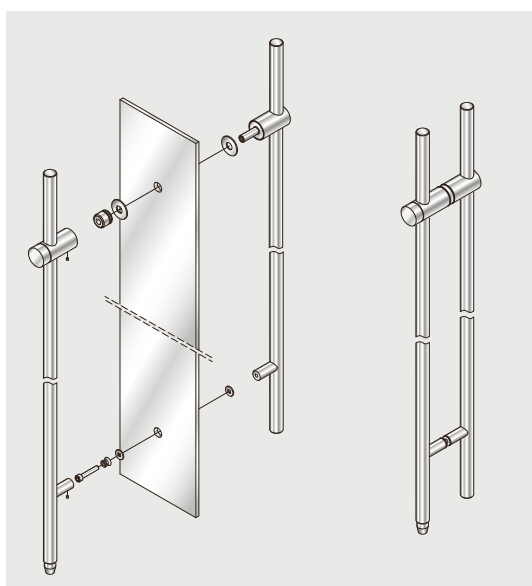
Pair of pull handles
1760 mm, with 4 fixings
Art. No. 8.21.276.700.99
AISI 316L
Art. No. 8.21.256.700.99



Door knob one side fixing
for 8/10/12 mm glass

Door knob with single-point
fixing, countersunk
Art. No. 8.21.422.700.99

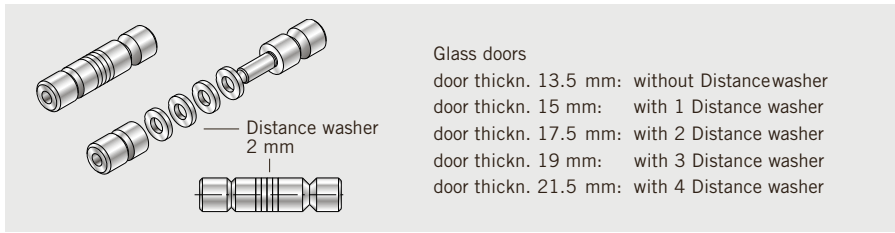
Door knob with clamping
disc single-point fixings
Art. No. 8.21.426.700.99



Door knob back-to-back
for 8/10/12 mm glass
Art. No. 8.21.423.700.99

Back to back handle bar,
length 1225 mm, prepared
for 8 - 13.5 mm glass,
1225 mm, with 2 fixings,
complete with KESO 2000
lock
Art. No. 8.21.279.700.99

Spacing adjustment for pull handles and door knobs



Glass doors
 door thickn. 13.5 mm: without Distancewasher
 door thickn. 15 mm: with 1 Distance washer
 door thickn. 17.5 mm: with 2 Distance washer
 door thickn. 19 mm: with 3 Distance washer
 door thickn. 21.5 mm: with 4 Distance washer



Timber doors
 door thickn. 20 mm: without distance washer
 door thickn. 25 mm: with 1 distance washer
 door thickn. 30 mm: with 2 distance washer
 door thickn. 35 mm: with 3 distance washer
 door thickn. 40 mm: with 4 distance washer



Glass doors/timber doors
 door thickn. 15–21.5 mm: cylinder head screw M6x25
 door thickn. 25–30 mm: cylinder head screw M6x35
 door thickn. 35–40 mm: cylinder head screw M6x50

Ordering information

Conversion set 1 for glass doors, pair of pull handles/knob back-to-back

door thickn. 13.5–21.5 mm
 Art. No. 8.21.285.700.99

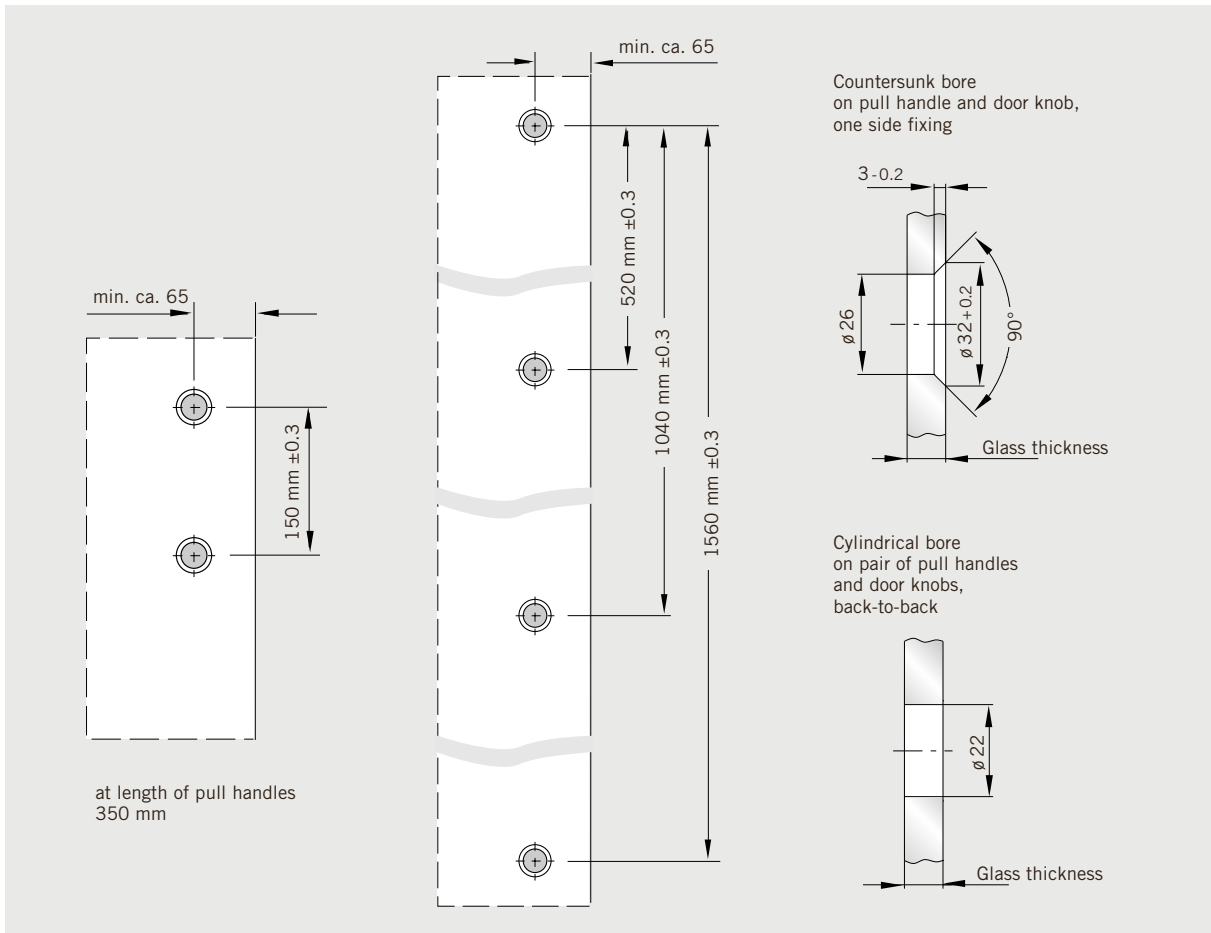
Conversion set 2 for timber doors, pair of pull handles/knob back-to-back

door thickn. 20–40 mm
 Art. No. 8.21.286.700.99

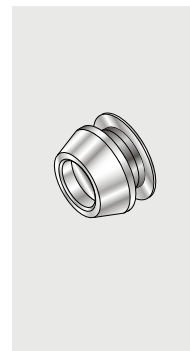
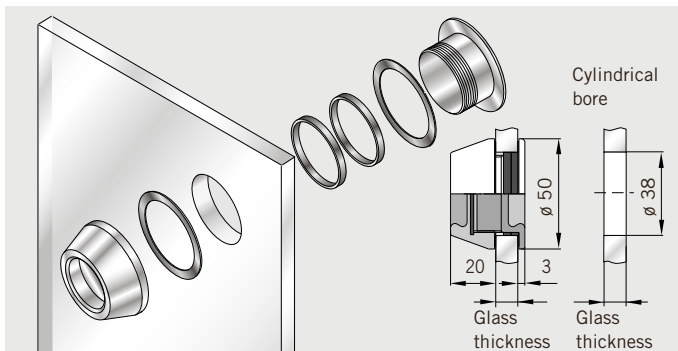
Conversion set 3 for glass/timber doors, pull handle/knob single-sided,

single-point fixing
 door thickn. 15–40 mm
 countersunk
 Art. No. 8.21.287.700.99
 clamping disc
 Art. No. 8.21.288.700.99

Glass preparation pull handles and door knobs

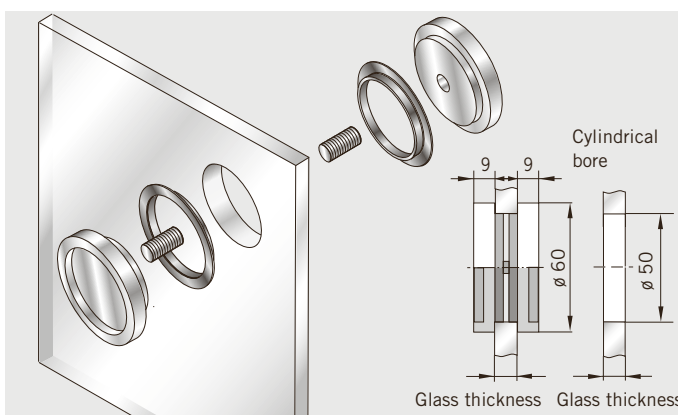


Recessed pull grip und ARCOS pull handle

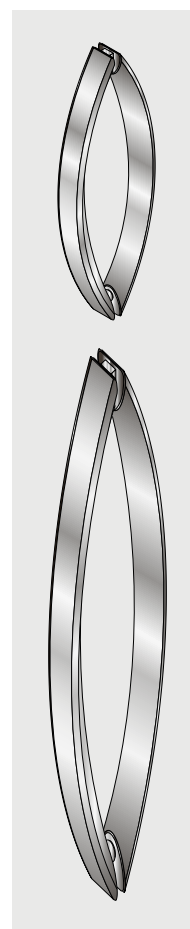
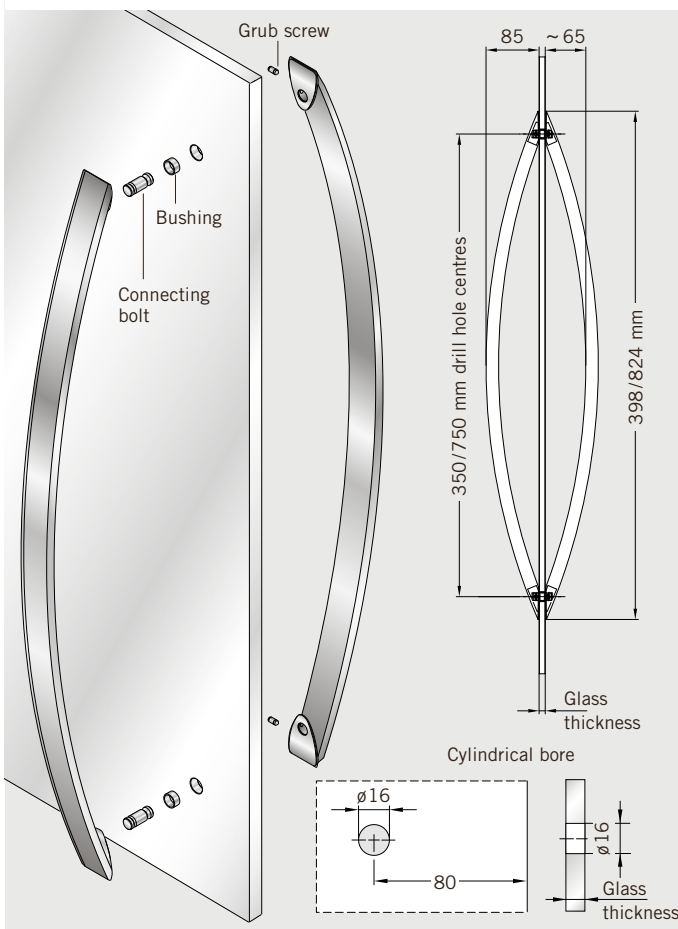


Ordering information

Recessed pull grip
 \varnothing 50 mm
 for 8/10/12 mm glass
 Art. No. 8.21.290.700.99



Recessed pull grip
 \varnothing 60 mm
 for 8/10/12 mm glass
 Art. No. 8.21.291.700.99



ARCOS pair of pull handle
 for 8/10/12 mm glass
 incl. connecting bolt

only in AISI 316L

Pull handle 350 mm
 with 2 fixings
 Art. No. 8.26.500.700.99

Pull handle 750 mm
 with 2 fixings
 Art. No. 8.26.510.700.99





MANET COMPACT Sets

Content

Pivoting door	40
Sliding door	44

MANET COMPACT Sets

The aesthetic elegance of the MANET COMPACT concept is also available in the form of standardised sets for simple, fast planning of the more popular system types with 8, 10 or 12 mm toughened safety glass (TSG). Optional accessories enable the individual sets to be semi-customised.

The system components offer numerous adjustment possibilities in order to ensure problem-free installation of whichever door type – sliding or swing, single action or double action – is required. Wall abutment profiles may need to be provided (by others) for fixing overpanels and sidelights.



Pivoting doors Set 1
page 41

Construction 1 (1 set) Construction 2 (1 set) Construction 3 (1 set) Construction 4 (1 set)

Construction 5 (2 sets) Construction 6 (2 sets) Construction 7 (2 sets) Construction 8 (2 sets)

Pivoting doors Set 2
page 42

Construction 9 (1 set) Construction 12 (1 set) Construction 18 (2 sets)

Pivoting doors Set 2 + 3
page 42/43

Construction 21 (each 1 set)

Pivoting doors Set 3
page 43

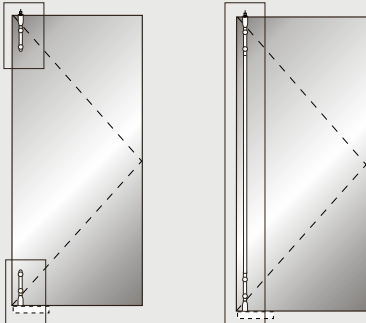
Construction 13 (1 set) Construction 15 (1 set) Construction 23 (2 sets)

Sliding doors Set 4/5/6
page 44 - 49

Set 4.1/4.2 Set 5.1/5.2 Set 6.1/6.2

Set 1

Pivoting door MANET COMPACT without overpanel for 10 - 12 mm glass

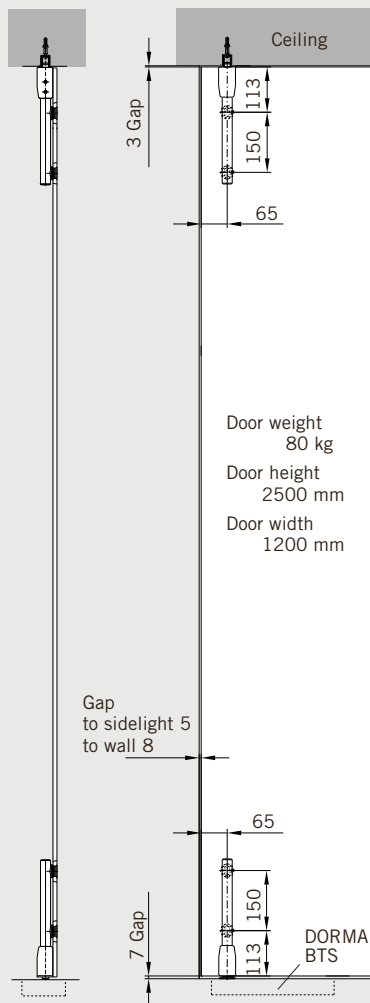


Set 1
with pivot rod pair
short type

Option:
Set 1, but for
additional intermediate tube in fixed length for pivot rod pair
Intermediate tube in fixed length

Set 1 consisting of:
pivot rod pair top/bottom,
short type,
including:
4 Single-point fixings for pivot rods,
1 Pivot fitting top,
1 PT 25 pin, 15 mm Ø, with plug
1 Pivot fitting bottom
for DORMA BTS/floor pivot

Essential information: Panel height _____ mm
- 577 mm
= Length intermed. tube
_____ mm



Door weight
80 kg
Door height
2500 mm
Door width
1200 mm

Options for SET 1

Pull handles,	Length	350 mm
single point fixing,	Length	720 mm
countersunk	Length	1240 mm
	Length	1760 mm
Pair of pull handles	Length	350 mm
	Length	720 mm
	Length	1240 mm
	Length	1760 mm
Stop for pivoting door with ceiling mounting		
Ceiling fixing (bearing function)		
Corner lock		
Corner lock with rose on one lock side		
Profile cylinder for corner lock 8.21.448/449.700.99		
Eccentric bushing for corner lock 8.21.448/449.700.99		
Floor pivot bearing		
Assembling tool for MANET single-point fixings		
5 pcs. clip-on cover f. single-point fixings		

For the requisite glass preparation
please see pages 20/21

Ordering information

Art. No. 8.29.910.700.99

Art. No. 8.29.911.700.99

Art. No. 8.29.555.700.99

Art. No. 8.29.268.700.99

Art. No. 8.29.271.700.99

Art. No. 8.29.274.700.99

Art. No. 8.29.277.700.99

Art. No. 8.21.267.700.99

Art. No. 8.21.270.700.99

Art. No. 8.21.273.700.99

Art. No. 8.21.276.700.99

Art. No. 8.21.334.700.99

Art. No. 8.29.337.700.99

Art. No. 8.21.448.700.99

Art. No. 8.21.449.700.99

Art. No. 8.14.206.000.99

Art. No. 8.05.194.000.99

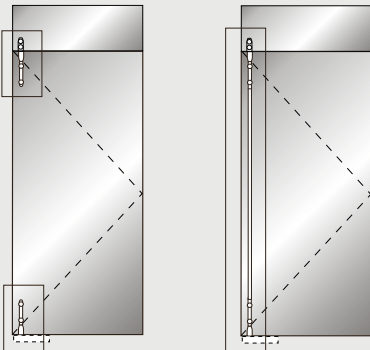
Art. No. 8.01.106.700.99

Art. No. 8.21.134.000.99

Art. No. 8.29.217.700.99

Set 2

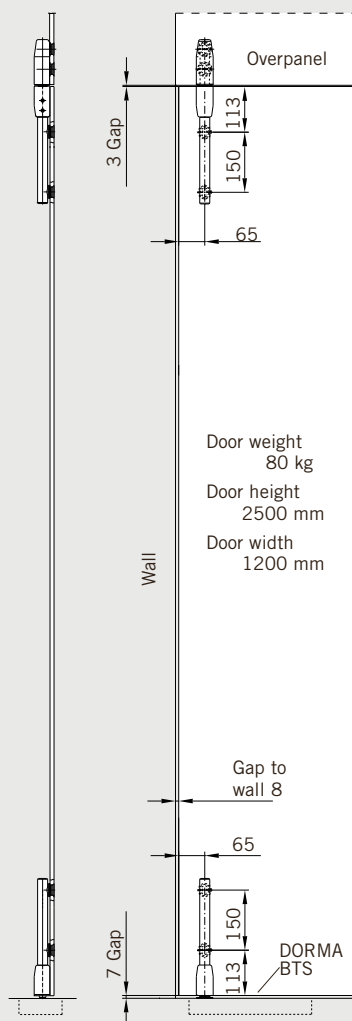
Pivoting door MANET COMPACT with overpanel for 10 - 12 mm glass



Set 2
with pivot rod pair
short type

Option:
Set 2, but with
additional intermediate tube in fixed length for pivot rod pair
Intermediate tube in fixed length

Essential information: Panel height _____ mm
- 577 mm
= Length intermed. tube
_____ mm



Door weight
80 kg
Door height
2500 mm
Door width
1200 mm

Gap to
wall 8

DORMA
BTS

For the requisite glass preparation
please see pages 20/21

Ordering information

Art. No. 8.29.912.700.99

Art. No. 8.29.913.700.99

Art. No. 8.29.555.700.99

Options for SET 2

Pull handles,	Length 350 mm
single point fixing,	Length 720 mm
countersunk	Length 1240 mm
	Length 1760 mm
Pair of pull handles	Length 350 mm
	Length 720 mm
	Length 1240 mm
	Length 1760 mm

Ceiling fixing (bearing function)

Stop at overpanel, (inside/outside)
for 10 and 12 mm glass

Corner lock top/bottom

Corner lock top/bottom
with rose on one lockside

Profile cylinder for
corner lock 8.21.448/449.700.99

Eccentric bushing for
corner lock 8.21.448/449.700.99

Overpanel-sidel. conn. for 10/12 mm glass

Overp.-sidel. conn. with stop inside for
10 and 12 mm glass

Overp.-sidel. conn. with stop outside
for 10 mm glass
for 12 mm glass

Floor pivot

Assembling tool for MANET-single-point f.

5 pcs. clip-on cover f. single-point fixings

Art. No. 8.29.268.700.99
Art. No. 8.29.271.700.99
Art. No. 8.29.274.700.99
Art. No. 8.29.277.700.99
Art. No. 8.21.267.700.99
Art. No. 8.21.270.700.99
Art. No. 8.21.273.700.99
Art. No. 8.21.276.700.99

Art. No. 8.29.337.700.99

Art. No. 8.29.335.700.99

Art. No. 8.21.448.700.99

Art. No. 8.21.449.700.99

Art. No. 8.14.206.000.99

Art. No. 8.05.194.000.99

Art. No. 8.29.320.700.99

Art. No. 8.29.322.700.99

Art. No. 8.29.324.700.99

Art. No. 8.29.325.700.99

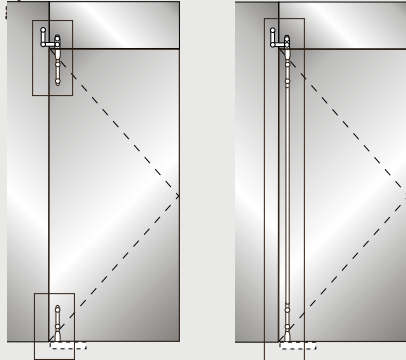
Art. No. 8.01.106.700.99

Art. No. 8.21.134.000.99

Art. No. 8.29.217.700.99

Set 3

Pivoting door MANET COMPACT with overpanel and sidelight for 10 - 12 mm

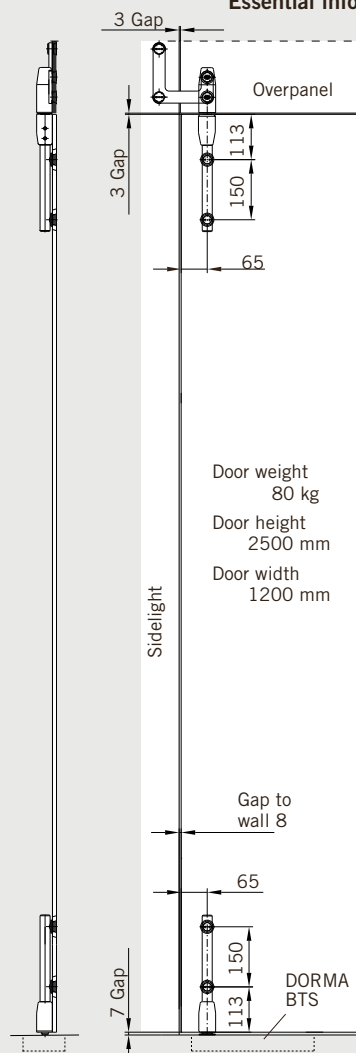


Set 3
with pivot rod pair,
short type

Option:
Set 3, but with
additional intermediate tube in fixed length for pivot rod pair
Intermediate tube in fixed length

Set 3 consisting of:
pivot rod pair top/bottom,
short type,
including:
4 Single-point fixing for pivot rods,
1 Pivot fitting top,
1 Overpanel-sidelight connector with
pivot bearing location,
1 Pivot fitting bottom
for DORMA BTS/floor pivot bearing

Essential information: Panel height _____ mm
- 577 mm
= Length intermed. tube
_____ mm



For the requisite glass preparation
please see pages 20/21

Ordering information

Art. No. 8.29.914.700.99

Art. No. 8.29.915.700.99

Art. No. 8.29.555.700.99

Options for SET 3

Pull handles	Length	350 mm
single point fixing	Length	720 mm
countersunk	Length	1240 mm
	Length	1760 mm
Pair of pull handles	Length	350 mm
	Length	720 mm
	Length	1240 mm
	Length	1760 mm

Art. No. 8.29.268.700.99
Art. No. 8.29.271.700.99
Art. No. 8.29.274.700.99
Art. No. 8.29.277.700.99
Art. No. 8.21.267.700.99
Art. No. 8.21.270.700.99
Art. No. 8.21.273.700.99
Art. No. 8.21.276.700.99

Ceiling fixing (bearing function)

Art. No. 8.29.337.700.99

Stop at overpanel, (inside/outside) for 10 and 12 mm glass

Art. No. 8.29.335.700.99

Corner lock

Art. No. 8.21.448.700.99

Corner lock with rose on one lockside

Art. No. 8.21.449.700.99

Profile cylinder for corner lock 8.21.448/449.700.99

Art. No. 8.14.206.000.99

Eccentric bushing for corner lock 8.21.448/449.700.99

Art. No. 8.05.194.000.99

Overpanel-sidel. conn. for 10/12 mm glass

Art. No. 8.29.320.700.99

Overp.-sidel. conn. with stop inside for 10 and 12 mm glass

Art. No. 8.29.322.700.99

Overp.-sidel. conn. with stop outside for 10 mm glass for 12 mm glass

Art. No. 8.29.324.700.99

Art. No. 8.29.325.700.99

Floor pivot

Art. No. 8.01.106.700.99

Assembling tool for MANET-single-point f.

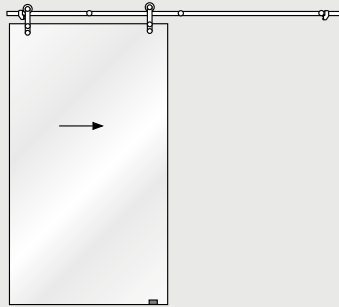
Art. No. 8.21.134.000.99

5 pcs. clip-on cover f. single-point fixings

Art. No. 8.29.217.700.99

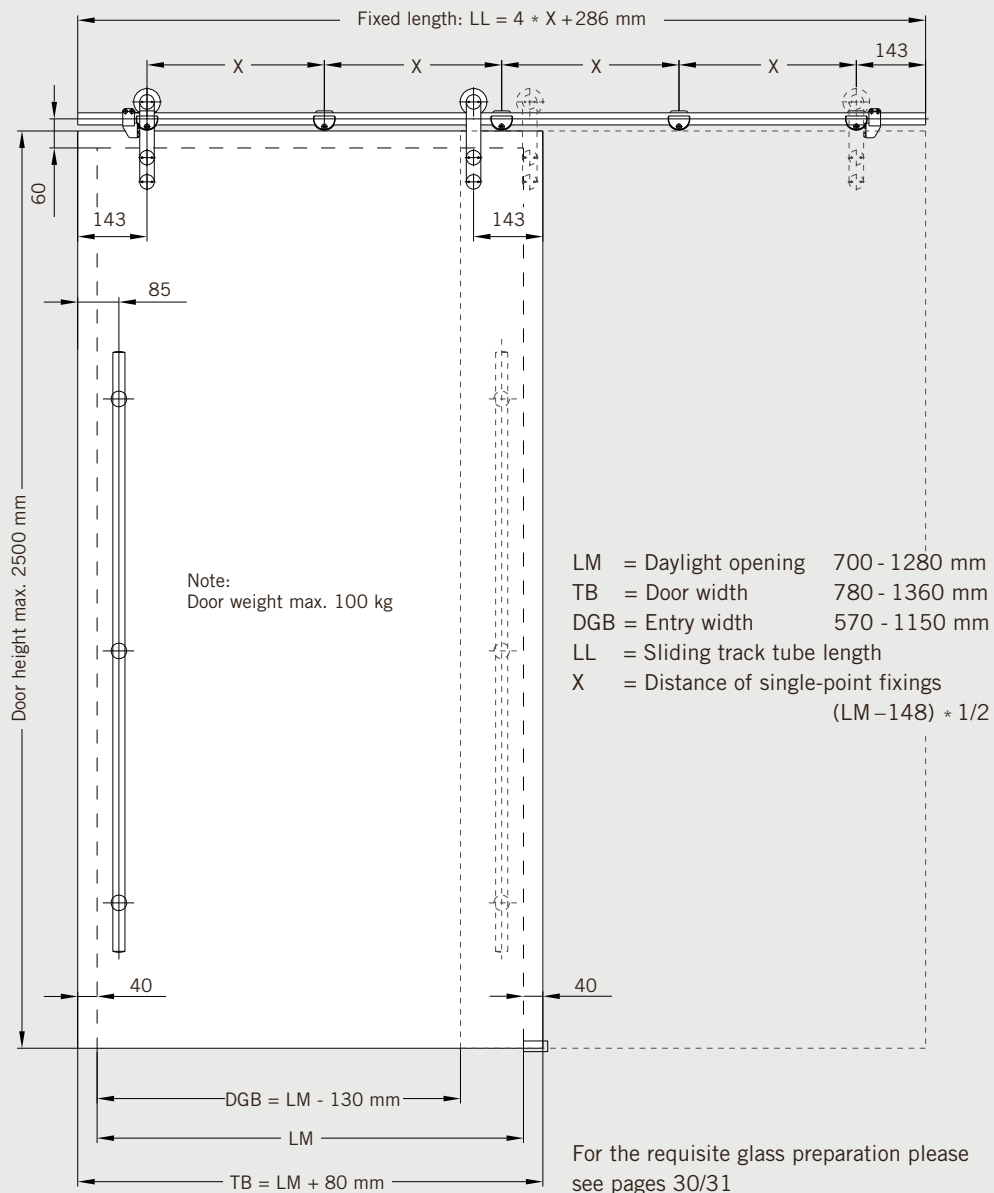
Set 4.1 / 4.2

Sliding door MANET COMPACT for installation to wall, for 8 - 12 mm glass



Set 4.1
with single-point fixings countersunk

Set 4.2
with clamping disc single-point fixings



Set 4.1 / 4.2

Sliding door MANET COMPACT for installation to wall, for 8 - 12 mm glass

Set 4.1 / Set 4.2

consisting of:

- 5 Clamp fixings
for track / wall
- 2 Roller carriers CLASSIC
incl. single-point fixings for 8 - 12 mm glass
- 1 Door stop left hand
- 1 Door stop right hand
- 1 Floor guide AGILE
- Installation tools

Set as above,
but with 16 mm extended clamp fixing

Not covered by the set:
Intermediate tube in fixed length*

Options for Set 4.1 / Set 4.2

Sliding track tube, inclusive end cups,
stock length 3000 mm

Pull handles	Length	350 mm
	Length	720 mm
	Length	1240 mm
	Length	1760 mm
Pair of pull handles	Length	350 mm
	Length	720 mm
	Length	1240 mm
	Length	1760 mm

Door knob
back-to-back for 8 - 12 mm glass

Door knob
one side fixing for 8 - 12 mm glass

Corner lock

Corner lock
with rose on one lock side

Profile cylinder for
corner lock 8.21.448/449.700.99

Eccentric bushing for
corner lock 8.21.448/449.700.99

Aluminium guide rail with brush seals
stock length 3000 mm
stock length 6000 mm

Assembling tool for MANET single-point fixing

5 pcs. clip-on cover f. single-point fixings

Ordering information

**Set 4.1
with countersunk
single-point fixings**

Art. No. 8.29.916.700.99

**Set 4.2
with clamping disc
single-point fixings**

Art. No. 8.29.917.700.99

Art. No. 8.29.925.700.99

Art. No. 8.29.926.700.99

Art. No. 8.21.436.700.99

Art. No. 8.29.527.700.99

Art. No. 8.29.268.700.99	Art. No. 8.21.240.700.99
Art. No. 8.29.271.700.99	Art. No. 8.21.241.700.99
Art. No. 8.29.274.700.99	Art. No. 8.21.242.700.99
Art. No. 8.29.277.700.99	Art. No. 8.21.243.700.99
Art. No. 8.21.267.700.99	Art. No. 8.21.267.700.99
Art. No. 8.21.270.700.99	Art. No. 8.21.270.700.99
Art. No. 8.21.273.700.99	Art. No. 8.21.273.700.99
Art. No. 8.21.276.700.99	Art. No. 8.21.276.700.99

Art. No. 8.21.423.700.99

Art. No. 8.21.422.700.99 Art. No. 8.21.426.700.99

Art. No. 8.21.448.700.99

Art. No. 8.21.449.700.99

Art. No. 8.14.206.000.99

Art. No. 8.05.194.000.99

Art. No. 8.21.432.100.99

Art. No. 8.21.430.100.99

Art. No. 8.21.134.000.99

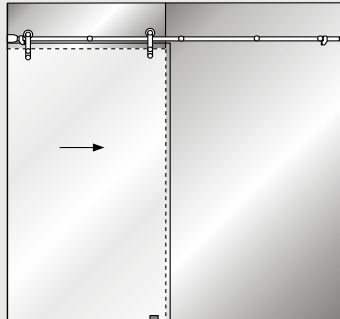
Art. No. 8.29.217.700.99

* When ordering please indicate the necessary length! For calculation please see adjoining page.

Set 5.1 / 5.2

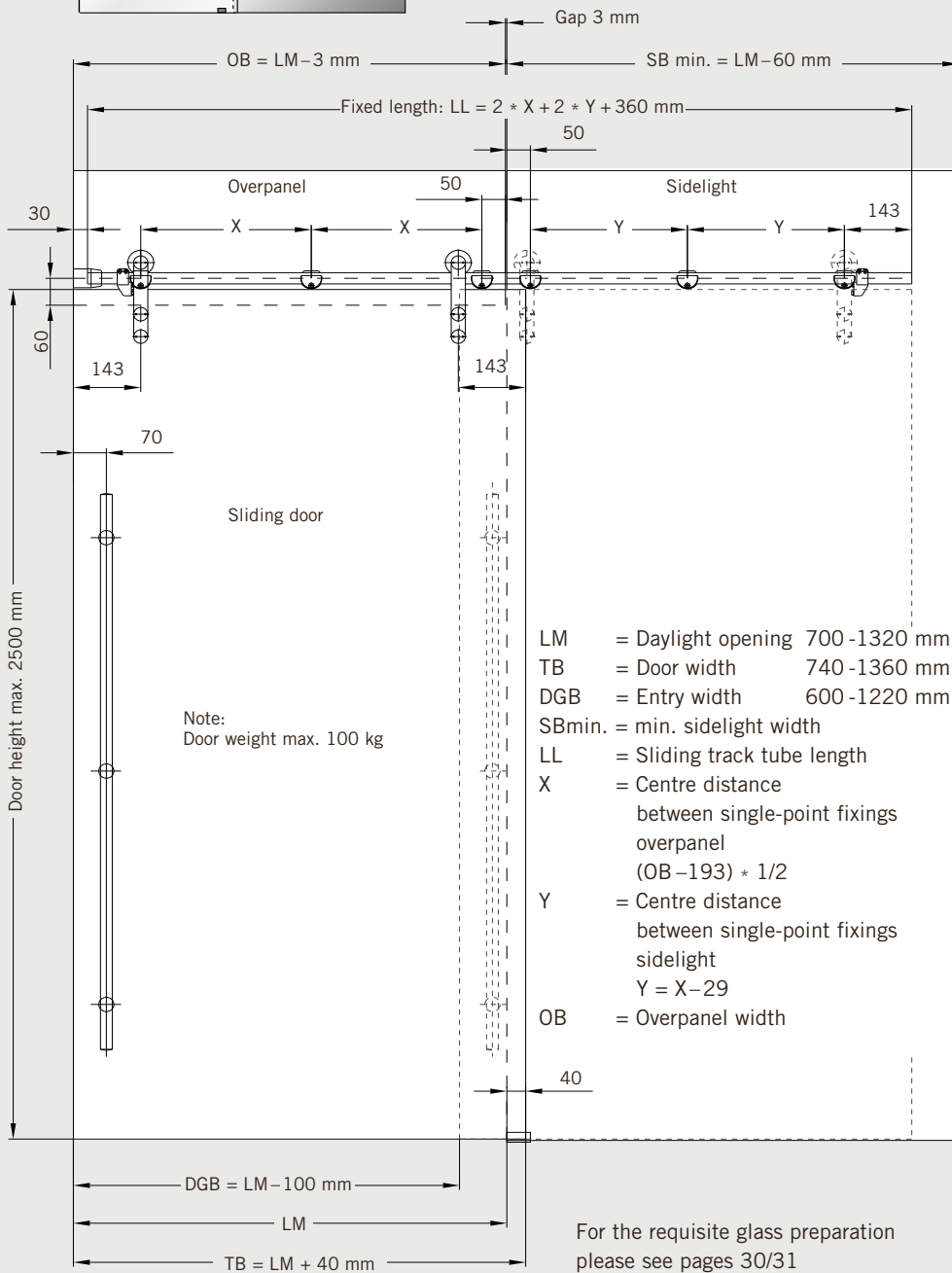
Sliding door MANET COMPACT for installation to glass, one side attached to masonry

for sliding door 8 - 12 mm glass,
fixed element 10 - 12 mm glass



Set 5.1
with countersunk single-point fixings

Set 5.2
with clamping disc single-point fixing



Set 5.1 / 5.2

Sliding door MANET COMPACT for installation to glass, one side attached to masonry, for sliding door 8 - 12 mm glass, fixed element 10 - 12 mm glass

Set 5.1 / Set 5.2

consisting of

- 6 Clamp fixings
fixing to glass, countersunk
- 2 Roller carriers CLASSIC
incl. single-point fixings for 8 - 12 mm glass
- 1 Wall fixing
- 1 Door stop left hand
- 1 Door stop right hand
- 1 Floor guide AGILE
- Installation tools

Not covered by the set:

Intermediate tube in fixed length*

Options for Set 5.1 / Set 5.2

Sliding track tube, inclusive end cups,
stock length 3000 mm

Pull handles	Length	350 mm
	Length	720 mm
	Length	1240 mm
Pair of pull handles	Length	1760 mm
	Length	350 mm
	Length	720 mm
	Length	1240 mm
	Length	1760 mm

Door knob
back-to-back for 8 - 12 mm glass

Door knob
one side fixing for 8 - 12 mm glass

Corner lock

Corner lock
with rose on one lock side

Profile cylinder for
corner lock 8.21.448/449.700.99

Eccentric bushing for
corner lock 8.21.448/449.700.99

Aluminium guide rail with brush seals
stock length 3000 mm
stock length 6000 mm

Ceiling connector (bearing function)

Assembling tool for MANET single-point fixing

5 pcs. clip-on cover f. single-point fixings

Ordering information

**Set 5.1
with countersunk
single-point fixings**

Art. No. 8.29.918.700.99

**Set 5.2
with clamping disc
single-point fixings**

Art. No. 8.29.919.700.99

Art. No. 8.21.436.700.99

Art. No. 8.29.527.700.99

Art. No. 8.29.268.700.99	Art. No. 8.21.240.700.99
Art. No. 8.29.271.700.99	Art. No. 8.21.241.700.99
Art. No. 8.29.274.700.99	Art. No. 8.21.242.700.99
Art. No. 8.29.277.700.99	Art. No. 8.21.243.700.99
Art. No. 8.21.267.700.99	Art. No. 8.21.267.700.99
Art. No. 8.21.270.700.99	Art. No. 8.21.270.700.99
Art. No. 8.21.273.700.99	Art. No. 8.21.273.700.99
Art. No. 8.21.276.700.99	Art. No. 8.21.276.700.99

Art. No. 8.21.423.700.99

Art. No. 8.21.422.700.99 Art. No. 8.21.426.700.99

Art. No. 8.21.448.700.99

Art. No. 8.21.449.700.99

Art. No. 8.14.206.000.99

Art. No. 8.05.194.000.99

Art. No. 8.21.432.100.99

Art. No. 8.21.430.100.99

Art. No. 8.21.337.700.99 Art. No. 8.21.338.700.99

Art. No. 8.21.134.000.99

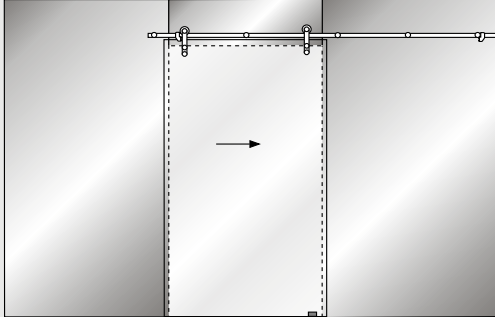
Art. No. 8.29.217.700.99

* When ordering please indicate the necessary length! For calculation please see the adjoining page.

Set 6.1 / 6.2

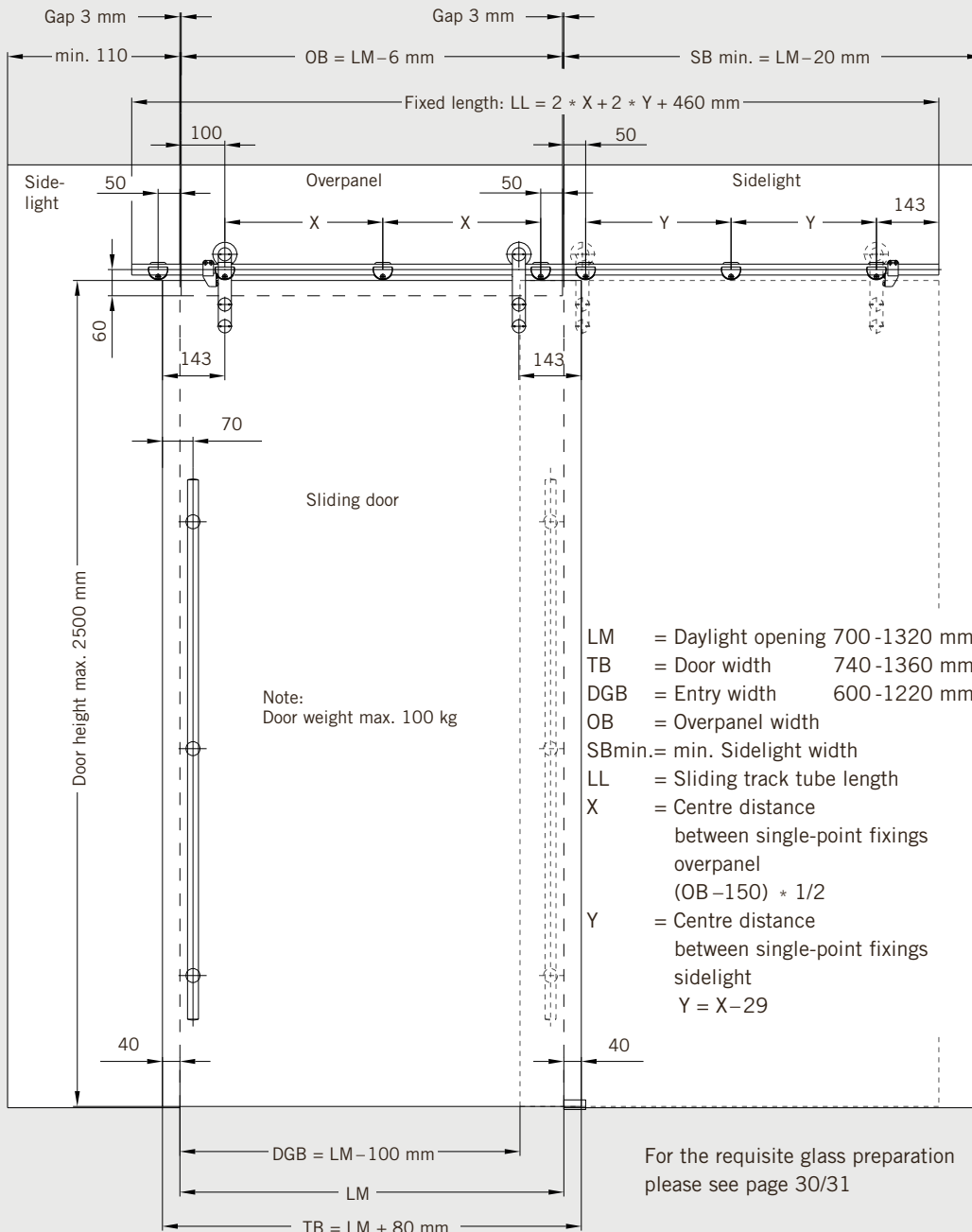
Sliding door MANET COMPACT for installation to glass, sidelights on both sides

for sliding door 8 - 12 mm glass,
fixed elements 10 - 12 mm glass



Set 6.1
with countersunk single-point fixings

Set 6.2
with clamping disc single-point fixings



Set 6.1 / 6.2

Sliding door MANET COMPACT for installation to glass, sidelight on both sides, for sliding door 8 - 12 mm Glass, fixed elements 10 - 12 mm glass

Set 6.1 / Set 6.2

consisting of

- 7 Clamp fixings
fixing to glass
- 2 Roller carriers CLASSIC
incl. single-point fixings for 8 - 12 mm glass
- 1 Door stop left hand
- 1 Door stop right hand
- 1 Floor guide AGILE
- Installation tools

Not covered by the set:

Intermediate tube in fixed length*

Options for Set 6.1 / Set 6.2

Sliding track tube, inclusive end cups,
stock length 3000 mm

Pull handles	Length	350 mm
	Length	720 mm
	Length	1240 mm
	Length	1760 mm
Pair of pull handles	Length	350 mm
	Length	720 mm
	Length	1240 mm
	Length	1760 mm

Door knob
back-to-back for 8 - 12 mm glass

Door knob
one side fixing for 8 - 12 mm glass

Corner lock

Corner lock
with rose on one lock side

Profile cylinder for
corner lock 8.21.448/449.700.99

Eccentric bushing for
corner lock 8.21.448/449.700.99

Aluminium guide rail with brush seals
stock length 3000 mm
stock length 6000 mm

Ceiling connector (bearing function)

Assembling tool for MANET single-point fixing

5 pcs. clip-on cover f. single-point fixings

Ordering information

**Set 6.1
with single-point fixings
countersunk**

Art. No. 8.29.920.700.99

**Set 6.2
with clamping disc
single-point fixings**

Art. No. 8.29.921.700.99

Art. No. 8.21.436.700.99

Art. No. 8.29.527.700.99

Art. No. 8.29.268.700.99	Art. No. 8.21.240.700.99
Art. No. 8.29.271.700.99	Art. No. 8.21.241.700.99
Art. No. 8.29.274.700.99	Art. No. 8.21.242.700.99
Art. No. 8.29.277.700.99	Art. No. 8.21.243.700.99
Art. No. 8.21.267.700.99	Art. No. 8.21.267.700.99
Art. No. 8.21.270.700.99	Art. No. 8.21.270.700.99
Art. No. 8.21.273.700.99	Art. No. 8.21.273.700.99
Art. No. 8.21.276.700.99	Art. No. 8.21.276.700.99

Art. No. 8.21.423.700.99

Art. No. 8.21.422.700.99 Art. No. 8.21.426.700.99

Art. No. 8.21.448.700.99

Art. No. 8.21.449.700.99

Art. No. 8.14.206.000.99

Art. No. 8.05.194.000.99

Art. No. 8.21.432.100.99

Art. No. 8.21.430.100.99

Art. No. 8.21.337.700.99 Art. No. 8.21.338.700.99

Art. No. 8.21.134.000.99

Art. No. 8.29.217.700.99

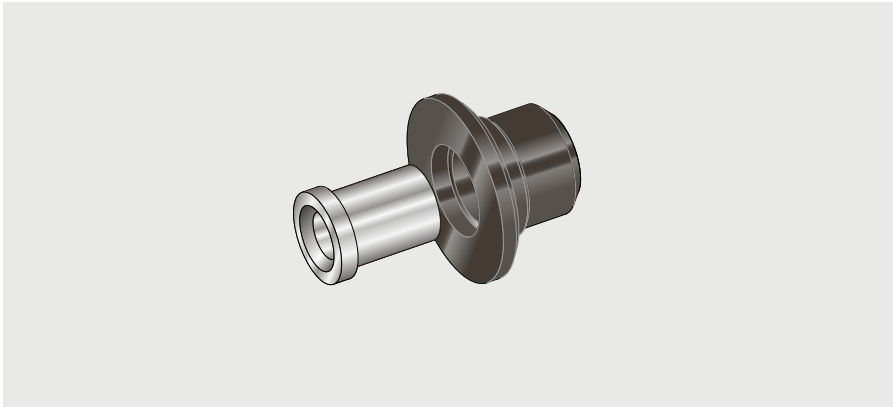
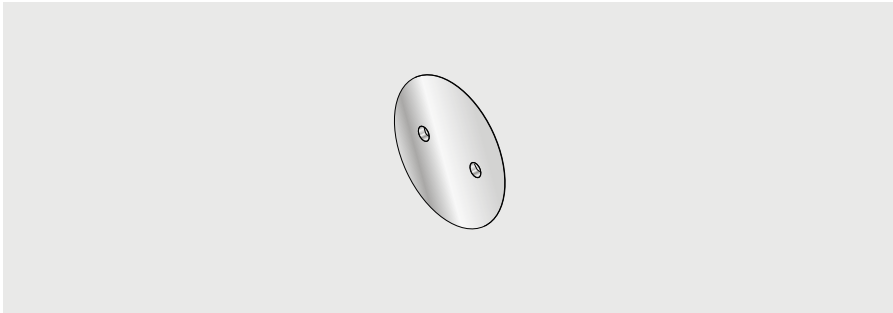
* When ordering please indicate the necessary length! For calculation please see the adjoining page.





Inhalt	
Accessories	52

Installation tools/accessories



Ordering information

**Clip-on cover for
single-point fixing
with spring, 5 pieces**
Art. No. 8.29.217.700.99

**Assembling tool for
MANET single-point fixing**
(can also be used as attach-
ment for torque wrench)
Art. No. 8.21.137.000.99

Sample case
Art. No. 8.21.995.000.99

Planning tool



For planning of intelligent glass solutions we offer you several planning tools which allow you to create secure and professional solutions for any kinds of glass doors and toughend glass assemblies.

The **planning tools DGES and MANET COMPACT** enable you to prepare designs and cost calculations quickly, reliably and professionally. The software provides you with all necessary documentation such as dimensioned technical drawings, glass sizes and preparation measures.

Your benefits:

- Easy to operate
- Professional and error-free preparation of offers
- Rapid response to incoming requests for quotations
- Highly reduced planning costs for time and money savings

DGES Fittings
(for internal doors and toughend glass assemblies),
Art. No. 800.51.249.6.32

DGES HSW
(for horizontal sliding walls),
Art. No. 800.51.247.6.32

DGES Showers
(for glass shower cubicles),
Art. No. 800.51.424.6.32

MANET COMPACT planning tool (for MANET pivoting and sliding doors),
Art. No. 800.51.329.6.32

Subject to change without notice.

For practical planning, please use our drawings DORMA-Glas DETAIL.



DORMA GlasTec GmbH
Leonardo-da-Vinci-Weg 6 - 8
D-32760 Detmold
Tel. +49 5231 308030
Fax +49 5231 3080310
www.dorma-glastec.de