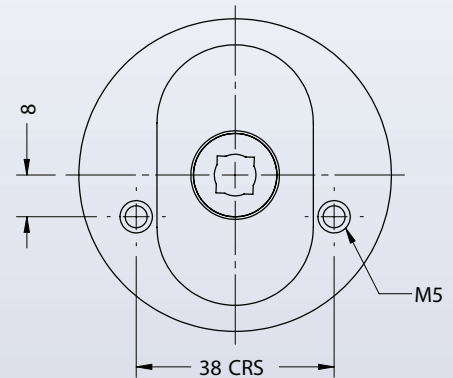
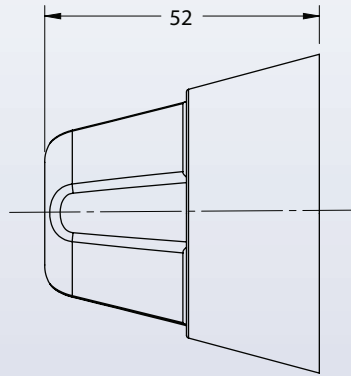
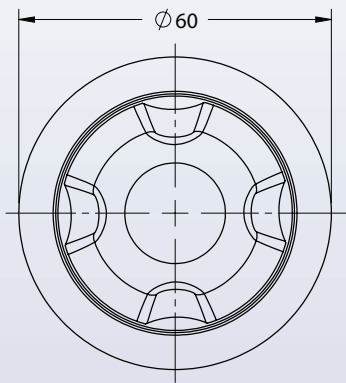
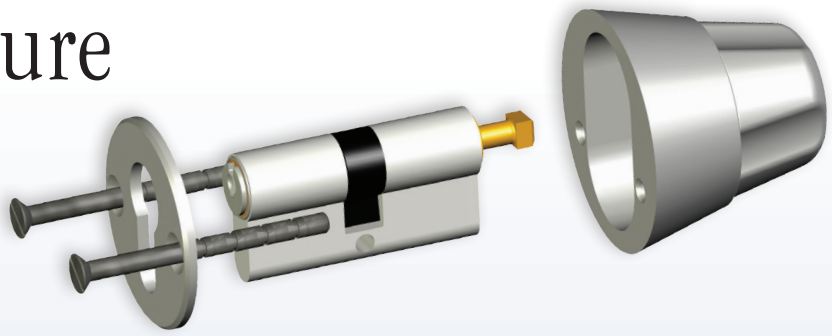


Kaba Anti-ligature Thumbturn



KABA[®]

Combining Safety & Security

- Tested independently to DHF TS001 specification making the Kaba anti-ligature thumbturn Grade 4 for safety and Grade 2 corrosion resistant.
- Rounded Thumbturn shape to reduce ligature points.
- Secure bolt-through fixings provide strength and resistance in abusive environments.
- Clutch mechanism provides key override functionality at all times.
- Suitable for use in secure detention centres, hospitals, care facilities.
- Suitable for use with both Kaba and Gege cylinder systems.
- The square drive slides inside the anti-ligature knob providing automatic adjustment for 44 or 54mm doors.
- Unique 'stop' mechanism ensures key can be freely inserted and turned should knob be held from within (kaba cylinders only).
- Unique staff safety feature, in a duress situation the internal knob is disabled by insertion of key until assistance arrives.
- The anti-ligature thumbturn and cylinder should be checked for correct functionality with the intended lockcase before specifying this product

Kaba Ltd
Lower Moor Way
Tiverton Business Park
Devon
EX16 6SS
Tel: 0870 000 5625
Fax: 0870 000 5397
Email: info@kaba.co.uk
www.kaba.co.uk