



Mortise locks for wide-stile doors

170/XX series

170 Plus/XX series

200 series

300 series

450 series

Dormakaba locks offer the very highest standard of quality and functional reliability. With the use of high-grade materials, precise production techniques and a comprehensive quality management system, all dormakaba locks meet demanding technical specifications. Additionally, locks conforming to the technical requirements of DIN and EN standards also offer unbeatable ease of use and security features. They are also serving a wide range of application possibilities for both private and public buildings. Locks from dormakaba are also offered as a set. Then the package contains the Mortice lock with screws and striking plate.

Content

04	170/XX series
06	170 Plus/XX series
08	200 series
10	300 series
12	450 series

The mortise lock 170/XX series

Mortise locks for wide-stile doors

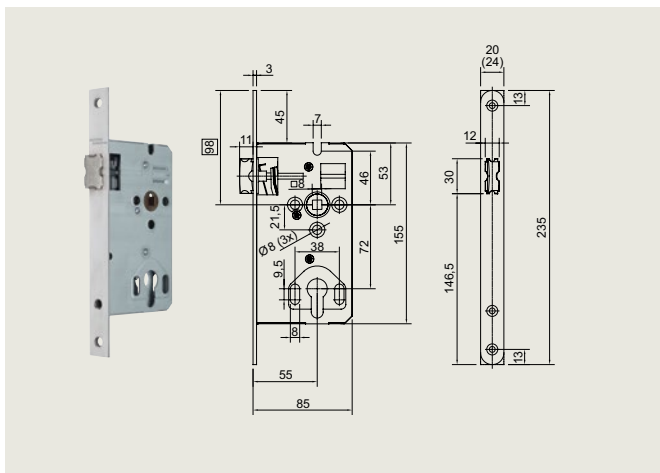
The mortise lock range 170 at a glance:

- Technical specifications to DIN 18251-1, Class 2/3
- Forend finish satin-brushed stainless steel
- Optional : includes striking plate and screws
- Forend width 20 or 24mm
- Forend round or square
- Nickel-plated key (only 170/BB)
- Non handed

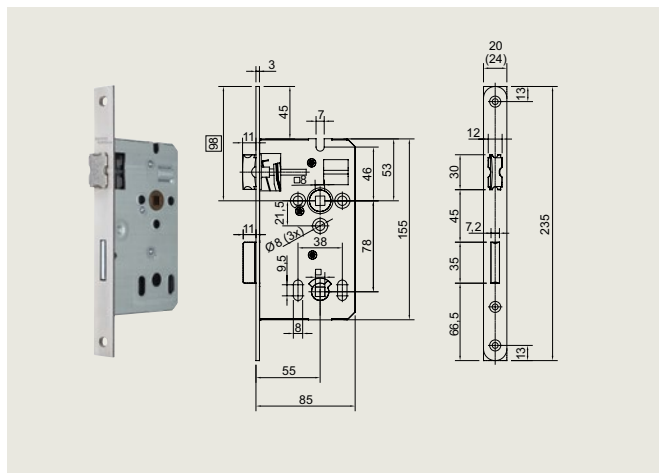


Features	170/WZ 170/WZa	170/BB	170/WC 170/WCa	170/RI 170/R1a	170/FA 170/FAa	170/WZ -F 170/WZa -F	170/WC -F 170/WCa -F	170/FA -F 170/FAa -F	170/RI -F 170/R1a -F
Follower 8mm	●	●	●	-	●	●	●	●	-
Centre distance: 72 mm	●	●	-	-	-	●	-	-	-
Centre distance: 78 mm	-	-	●	-	-	-	●	-	-
For Europrofile cylinders	●	BB	-	●	-	●	-	-	●
Bathroom/WC, thumbturn 8 mm	-	-	●	-	-	-	●	-	-
Bolt projection (mm)	22	22	11	22	-	22	11	-	22
Backset (mm)	55	55	55	55	55	55	55	55	55
Latch bolt retractable by handle or cylinder	●	-	-	-	-	●	-	-	-
For fire-rated doors (30 min)	-	-	-	-	-	●	●	●	●

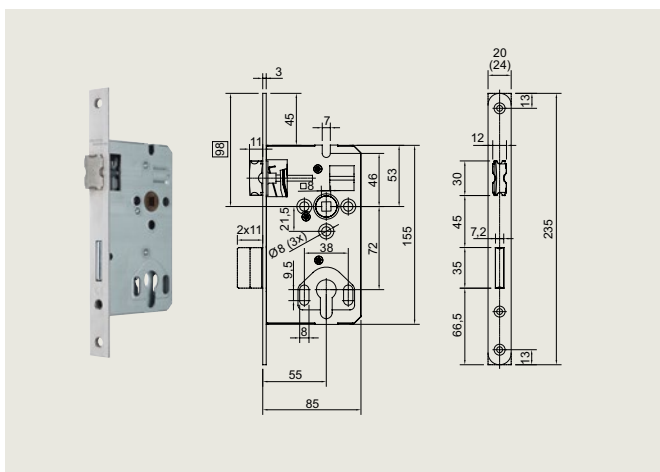
170 FA



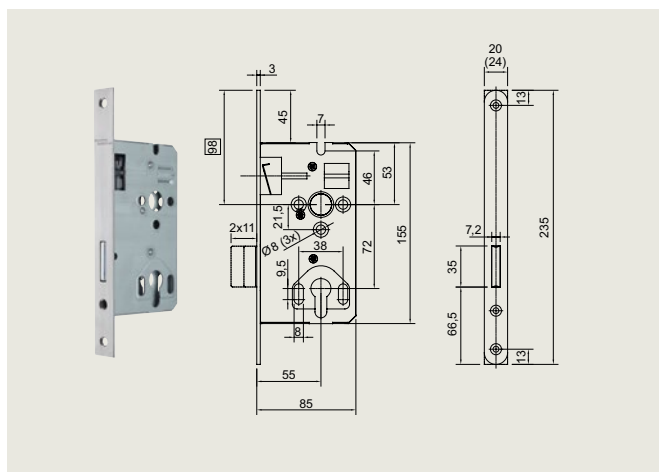
170 WC



170 WZ



170 RI



The mortise lock 170 Plus/XX series

Mortise locks for wide-stile doors

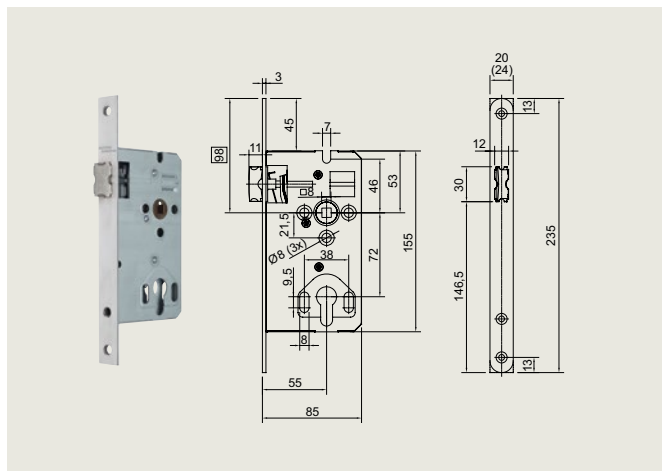
The mortise lock range 170 Plus at a glance:

- Technical specifications to DIN 18251-1, Class 2/3
- Forend finish satin-brushed stainless steel
- Optional : includes striking plate and screws
- Forend width 20 or 24mm
- Forend round or square
- Non handed
- Latch stainless steel
- For five rated doors (90 min)
- Clamp Follower
- Drilling protection sleeves

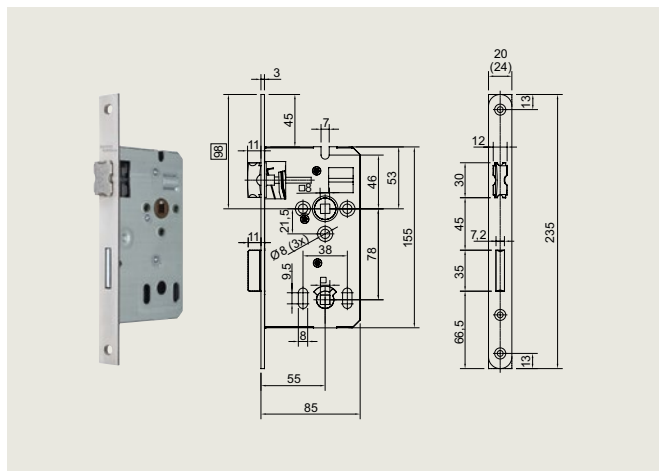


Features	170Plus/WZ 170Plus/WZa	170Plus/WC 170Plus/WCa	170Plus/ PZ/RI 170Plus/ PZ/Ria	170Plus/FA 170Plus/FAa	170Plus/ WZa -F	170Plus/ WCa -F	170Plus/ FAa -F	170Plus/ PZ/Ria -F
Follower 8mm	●	●	-	●	●	●	●	-
Centre distance: 72 mm	●	-	-	-	●	-	-	-
Centre distance: 78 mm	-	●	-	-	-	●	-	-
For Europrofile cylinders	●	-	●	-	●	-	-	●
Bathroom/WC, thumbturn 8 mm	-	●	-	-	-	●	-	-
Bolt projection (mm)	22	11	22	-	22	11	-	22
Backset (mm)	55-60	55-60	55-60	55-60	55-60	55-60	55-60	55-60
Latch bolt retractable by handle or cylinder	●	-	-	-	●	-	-	-
For fire-rated doors (90 min)	-	-	-	-	●	●	●	●

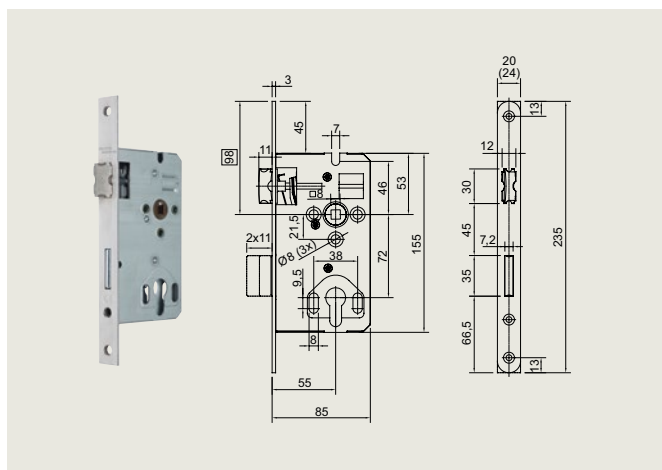
170 Plus FA



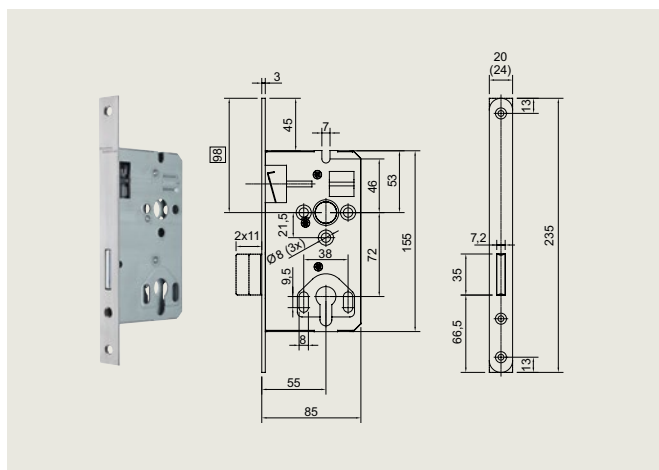
170 Plus WC



170 Plus WZ



170 Plus RI



The mortise lock 200 series

Mortise locks for wide-stile doors

The mortise lock range 232-290 at a glance:

- Lock case size DIN 18251-1
- Grade 2-EN 12209
- Closed case, zinc plated, latch and deadbolt stainless steel
- Reversible latch without tools
- Forend satin stainless steel
- Forend width 20 or 24mm
- Forend round or square
- AISI 304
- Optinal (additional a): with square strikeplate, strikebox and screws
- 281-290: CE certified
- 281-290: Approved for fire-rated doors

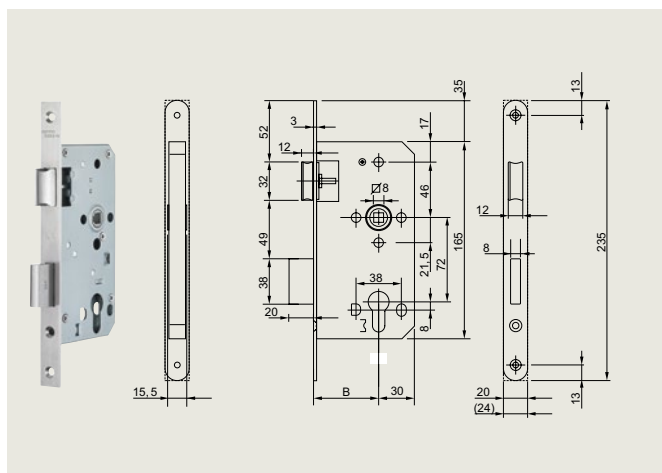
208/209:

- Grade 2-EN 12209
- Small lock case
- Closed case, zinc plated, latch and deadbolt zinc, nickel plated
- Forend round or square
- Forend width 20 or 24 mm
- Forend satin stainless steel
- AISI 304
- Reversible latch without tools (only 209)
- Non handed: reversible latch without any tools

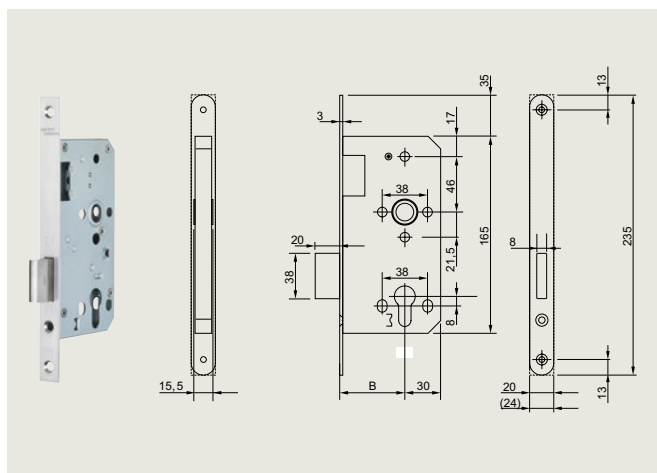


Features	208	209	232	233	235	271	275	278	279	281	285	288	289	290
follower, 8 mm steel blade		●			●	●	●		●	●	●		●	●
Centre distance: 72 mm					●	●				●				●
Centre distance: 78 mm							●				●			
For Europrofile cylinders	●		●			●		●		●		●		●
Bathroom/WC				●	●		●				●			
Bolt projection (mm)	20		10	20	10	20	10	20		20	10	20		
Fire-rated door										●	●	●	●	●
Backset (mm)	55	55	55	55	55	55-80	55-80	55-80	55-80	55-80	55-80	55-80	55-80	55-80
Latch bolt retractable by handle or cylinder					●	●	●			●				●

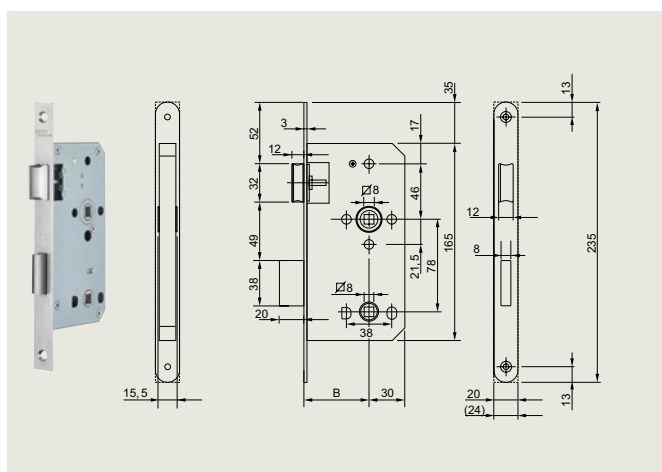
281



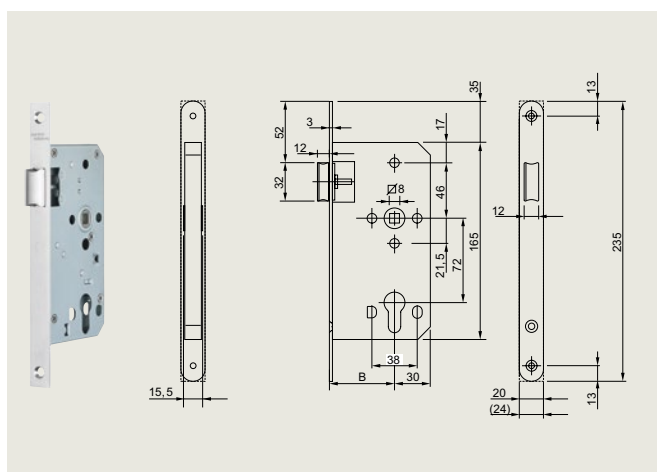
288



285



289



The mortise lock 300 series

Mortise locks for wide-stile doors

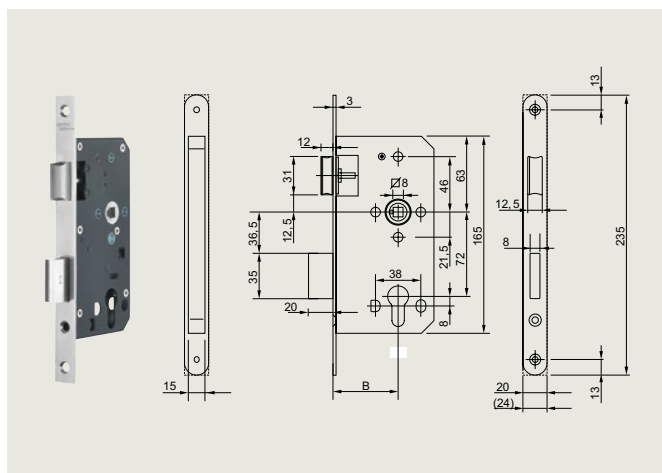
The mortise lock range 371-393 at a glance:

- Reversible latch without tools
- Closed, painted lockcase
- High quality satin stainless steel surface, including bolts
- Anti-saw protection, in deadbolts
- Robust maintenance-free lock mechanism
- under difficult operating conditions
- EN 12209 grade 3
- Lock case size DIN 18251-1
- CE certified
- Approved for fire-rated doors
- Forend material: AISI 316
- Forend round or square
- Forend width 20 or 24 mm
- Optional including strike plate and screws available
- Non handed locks to be changed with out tools

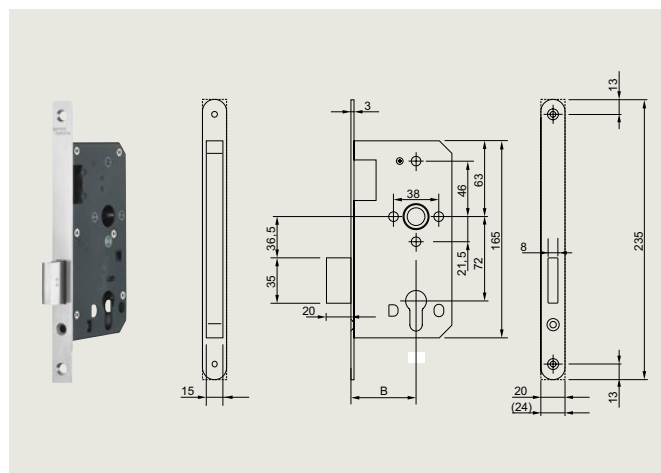


Features	371	375	378	379	381	385	388	389	391	392	393
Clamp follower, stainless steel, 8 mm, with separate bush bearing	●	●	-	●	●	●	-	●	●	●	-
Center distance PC: 72 mm	●	-	-	-	●	-	-	-	●	●	●
For Europrofile cylinders	●	-	●	-	●	-	●	-	●	●	●
Daylatch operable by cylinder	●	-	-	-	●	-	-	-	●	●	●
Center distance bathroom: 78 mm	-	●	-	-	-	●	-	-	-	-	-
Bathroom/WC, thumbturn 8 mm	-	●	-	-	-	●	-	-	-	-	-
Bolt projection (mm)	20	10	20	-	20	10	20	-	20	-	-
Dead bolt: AISI 316, anti saw protected	●	●	●	-	●	●	●	-	●	-	-
Backset (mm)	55-80	55-80	55-80	55-80	55-80	55-80	55-80	55-80	55-80	55-80	55-60
Dead latched in closed position	-	-	-	-	-	-	-	-	●	●	●
Follower disabeld by cylinder	-	-	-	-	-	-	-	-	-	-	●
Handed	nein	nein	nein	nein	nein	nein	nein	nein	L/R	L/R	L/R
for fire rated doors					●	●	●	●	●	●	●
Anti pick protection									●	●	●

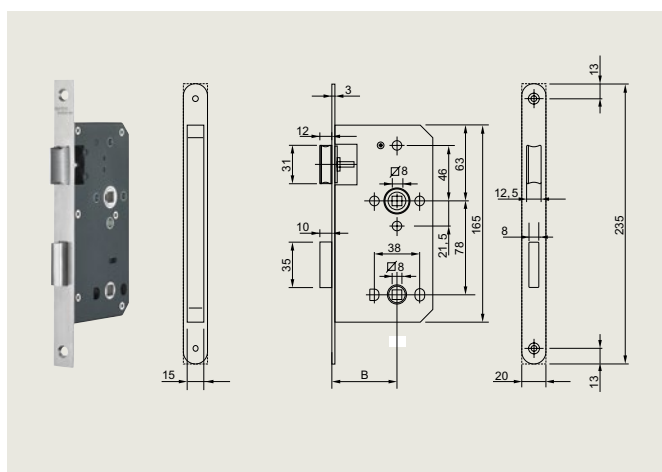
381



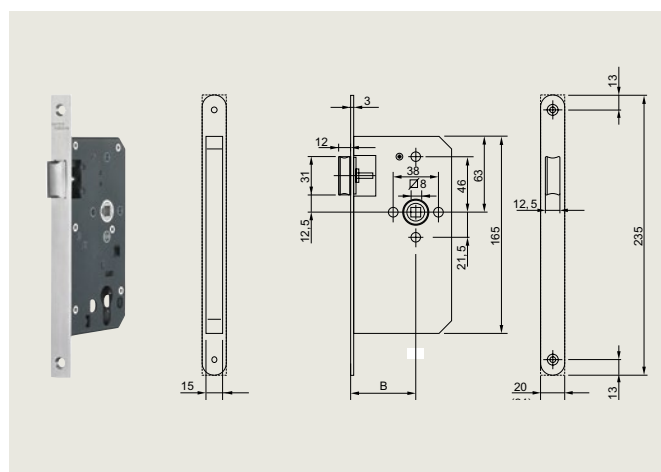
388



385



389



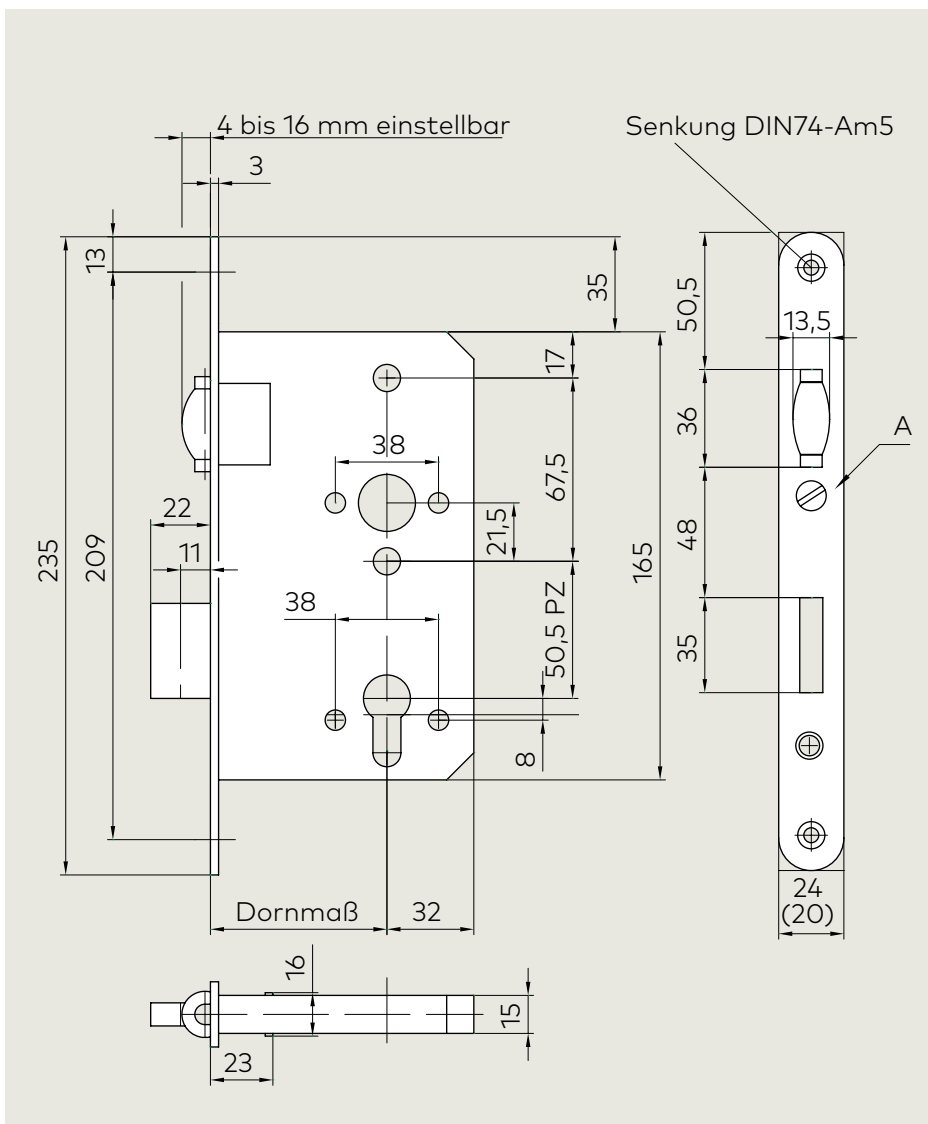
The mortise lock 450 series

Mortise locks for wide-stile doors

The mortise lock range 450 at a glance:

- Standard size (DIN 18251-1)
- Forend finish satin-brushed stainless steel
- For Europrofile cylinder
- Forend width 20 or 24mm
- Forend round or square
- Roller latch adjustable
- Striking plate included





Features	450
For Europrofile cylinders	●
Bolt projection (mm)	22
Backset (mm)	55-65
Handed	non



Space for your notes



**Door
Hardware**



**Electronic
Access & Data**



**Mechanical
Key Systems**



Lodging Systems



**Entrance
Systems**



**Interior Glass
Systems**



Safe Locks



Service

dormakaba
International Holding AG
Hofwisenstrasse 24
CH-8153 Rümlang
T +41 44 818 90 11
info@dormakaba.com
www.dormakaba.com