

A close-up photograph of a door's edge showing the installation of electric strike hardware. The hardware consists of a metal strike plate and a corresponding receiver on the door frame, secured with screws. The door has a wood-grain finish.

ELECTRIC STRIKES

Basic, Smoke, Fire, TV 5xx
ANSI ES Series

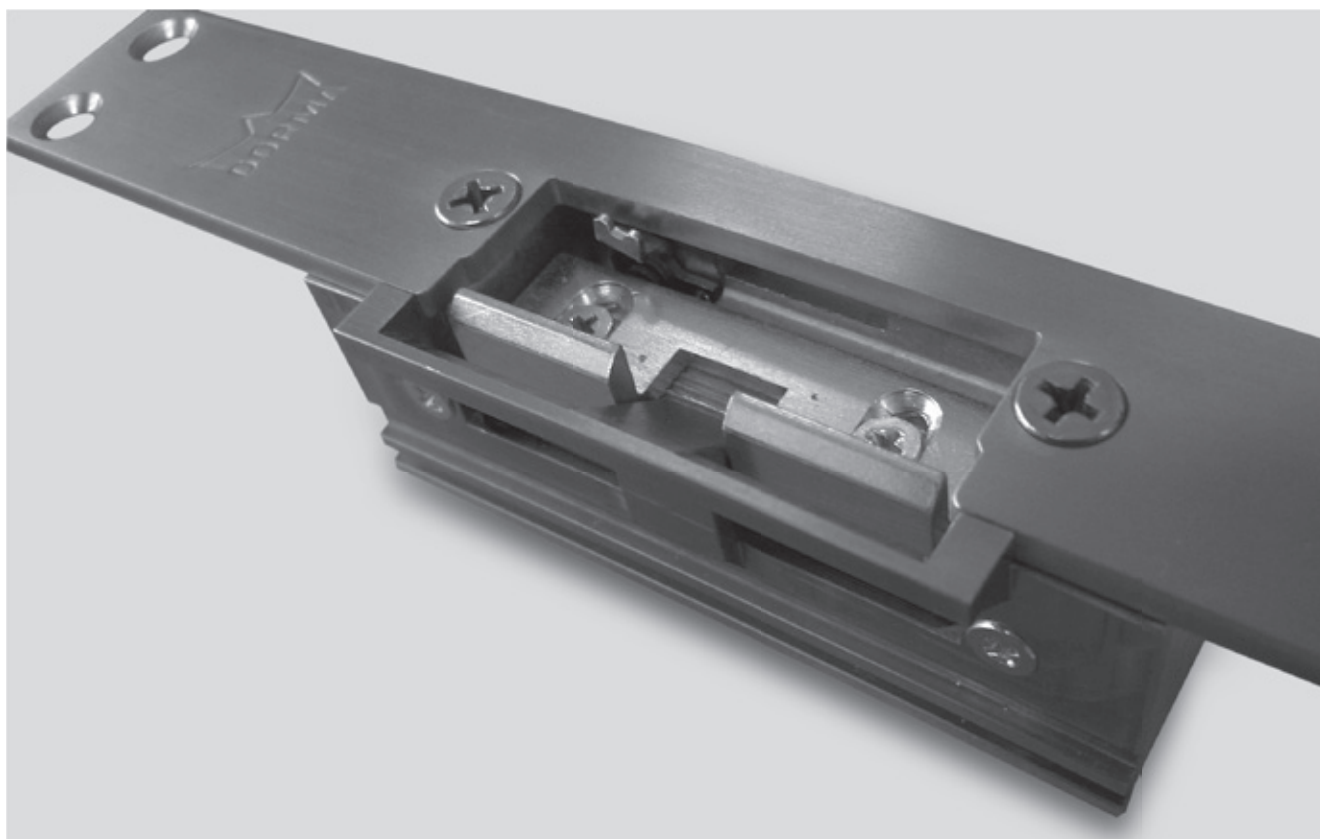
ACCESS AT THE PUSH OF A BUTTON

DORMA electric strikes ensure door security in private, public and commercial premises, are suitable for use with many different locks and door Types and are available in all conventional operating voltages.

Whether for standard doors, fire and smoke check doors or for doors in emergency and escape routes, you will be able to find the right model to match your particular requirements – all quality-assured by DORMA.

Benefits

- For over-rebated and flush-closing doors
- Modular construction system ensures flexibility
- Stainless steel strike plates
- Adjustable latch ensures optimal alignment to existing structural conditions
- Thanks to the Easy Adapt concept for electric strikes of the series Basic, Basic-Safe, Smoke, Fire 447 and Fire 448 there is no need for disruptive recesses in the door frame for the electric strike latch, so the door seal is left unbroken.
- Fail-secure and fail-safe models
- Series Fire 447 and Fire 448 for fire and smoke check doors with general approval covering any position
- Holding function, unlocking function and monitor contact depending on model



CONTENTS

| | | |
|------------------------------------|---|----|
| Electric Strikes | Data and features | 4 |
| | Dimensions | 6 |
| | Series Basic | |
| | Standard electric strikes | 8 |
| | Series Basic-Radius | |
| | Electric strikes with radius latch | 9 |
| | Series DES 7xx / Basic-Small | |
| | Doors with thermal-break profiles | 10 |
| | Series Smoke | |
| | Electric Strikes for Smoke Check Doors | 11 |
| | Series Fire | |
| | Electric Strikes for Fire and Smoke Check Doors | 12 |
| | Strike plates | 13 |
| | Series DES 300, DES 400 | |
| Security electric strike | 18 | |
| Series TV 5xx | | |
| Locking mechanisms | 20 | |
| Strike plates – Series TV 5xx | 22 | |
| Accessories | 28 | |
| Electric Strikes ANSI ES Series | Data and features | 32 |
| | Dimensions | 34 |
| | Series ES61 | 40 |
| | Series ES62, ES62F | 41 |
| | Series ES72F | 42 |
| | Series ES74F, ES79F | 43 |
| | Series ES84, ES86 | 44 |
| | Series ES96F | 46 |

Data and features

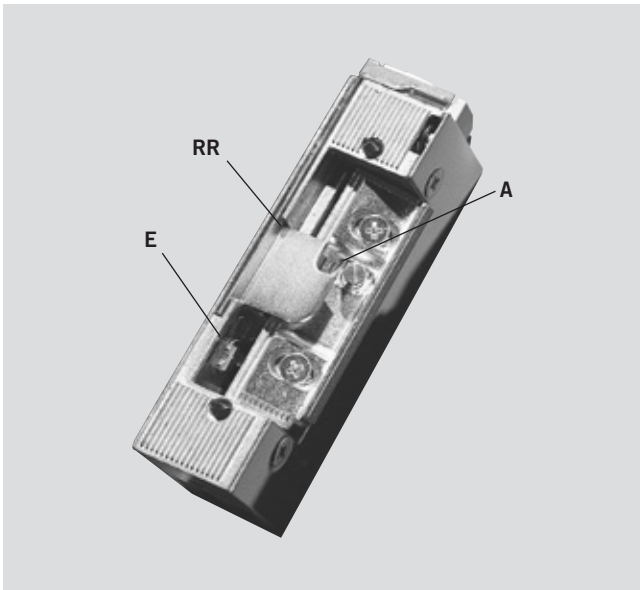
| Electric Strikes Series | Basic | Lucky Basic 448 | Basic-Safe | Basic-Radius | Basic-Radius Safe | DES 72x | DES 731 | Basic-Small | Smoke | Lucky Smoke 448 | Fire 447 | Lucky Fire 448 | DES 300 | DES 400 |
|-----------------------------------|-------|-----------------|------------|--------------|-------------------|---------|---------|-------------|-------|-----------------|----------|----------------|---------|---------|
| Standard doors | ● | ● | ● | ● | ● | ● | ● | - | - | - | - | - | - | - |
| Doors with thermal-break profiles | - | - | - | - | - | - | - | ● | - | - | - | - | - | - |
| Smoke protection doors | - | - | - | - | - | - | - | - | ● | ● | ● | ● | - | - |
| Fire protection doors | - | - | - | - | - | - | - | - | - | - | ● | ● | - | - |
| Symmetrical housing | ● | ● | ● | ● | ● | - | - | - | ● | ● | ● | ● | ● | ● |
| Asymmetrical housing | - | - | - | - | - | ● | ● | ● | - | - | - | - | - | - |
| Non-handed | ● | ● | ● | ● | ● | ● | ● | - | ● | ● | ● | ● | ● | ● |
| Radius latch | - | - | - | ● | ● | - | - | - | - | - | - | - | - | - |
| Fail-safe model | - | - | ● | - | ● | - | ● | - | - | - | - | - | - | - |
| Fail-secure model | ● | ● | - | ● | - | ● | - | ● | ● | ● | ● | ● | - | - |
| Fail-Safe/Fail-secure switchable | - | - | - | - | - | - | - | - | - | - | - | - | ● | ● |
| Unlocking function (E) | ● | - | - | ● | - | - | - | ● | - | - | - | - | - | - |
| Holding function (A) | ● | - | - | ● | - | - | - | - | - | - | - | - | - | - |
| monitor contact (RR) | ● | ● | ● | ● | ● | ● | ● | - | ● | ● | ● | ● | ● | ● |
| Latch guide Easy Adapt | ○ | ● | ○ | - | - | - | - | - | ○ | ● | ○ | ● | - | - |
| Anti-tamper contact | - | - | - | - | - | - | - | - | - | - | - | - | - | ● |

● = yes - = no ○ = option

In emergency and escape routes the DORMA TV5xx door locking mechanism must be used as an "electric strike".
(See pages 20).

| Electric Strikes | Voltage | Current | Resistance | ED |
|--|------------|---------|------------|-------|
| Basic, Basic-R, Smoke, Fire 447 | 6-12 V | 6 V AC | 6.5 Ω | |
| | | 6 V DC | | |
| | | 12 V AC | | |
| | | 12 V DC | | |
| Basic, Basic-R, Smoke, Fire 447 | 12 V AC | 0.44 A | 18.0 Ω | |
| Basic, Basic-Safe, Basic-R, Basic-R Safe, Smoke, Fire 447 | 12 V DC | 0.22 A | 51.0 Ω | 100 % |
| Basic, Basic-Safe, Basic-R, Basic-R Safe, Smoke, Fire 447 | 24 V DC | 0.13 A | 170.0 Ω | 100 % |
| Basic, Smoke, Fire 448 Lucky Strike | 12-24 V DC | 12 V DC | 7.5 Ω | 100 % |
| | | 24 V DC | | 100 % |
| Basic-Small | 6-12 V | 6 V AC | 7.5 Ω | |
| | | 6 V DC | | |
| | | 12 V AC | | |
| | | 12 V DC | | |
| DES 700 | 12/24 V DC | 12 V DC | | 100 % |
| | | 24 V DC | | 100 % |
| DES 300, DES 400 | 12/24 V DC | 12 V DC | | 100 % |
| | | 24 V DC | | 100 % |

The specifications for the alternating voltage (AC) are for a frequency of 50 Hz.
The pure ohmic resistance of the coil is stated.



A = Holding function

If the electric strike lever handle is activated momentarily, the mechanism in the electric strike responds, releasing the strike until after the door has been opened. Once-off entry is possible.

E = Unlocking

A small lever switches the electric strike off. The door is fully accessible without any signalling from the electric strike.

RR = monitor contact

A floating contact supplies "Door open" / "Door closed" status signals.



Function Lucky Strike

In addition to the standard product advantages indicated above, DORMA electric strikes featuring the Lucky Strike Module also offer the following:

- Switch-off of audible signal tone on activation
- Effective unlocking and release under pre-load
- 100% duty factor
- Multi-voltage capability: 12-24 V DC
- With the additional GL rectifier module, Lucky Strike units can also be operated with 12-24 V AC

Lucky Basic (standard-duty model)

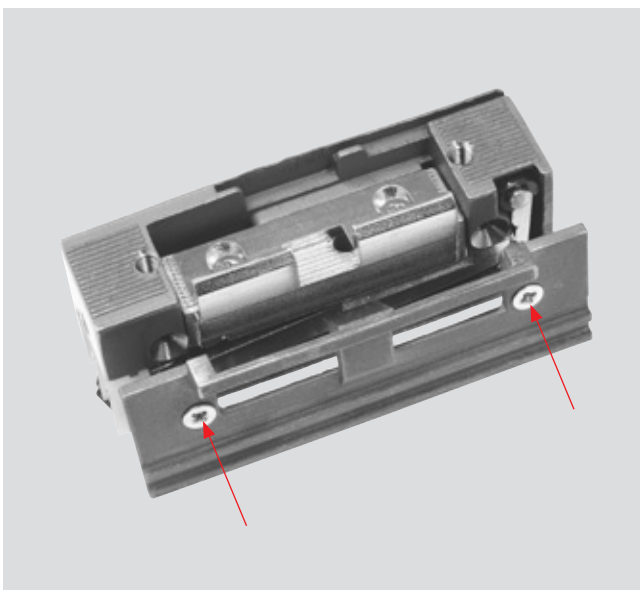
- Available as a fail-secure unit

Lucky Smoke (smoke-rated model)

- Certificate of approval as a reversible smoke-rated unit

Lucky Fire (fi re-rated model)

- Certificate of approval as a reversible fire-rated unit



Easy Adapt

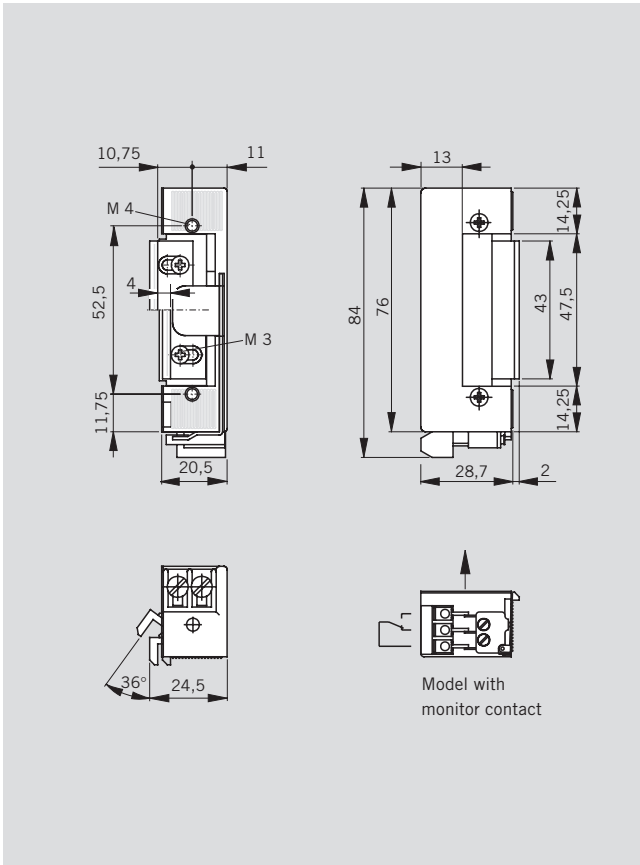
The Easy Adapt is a casing cover with a latch guide/keeper for electric strikes of the series Basic, Basic-Safe, Smoke and Fire 447/448. The cover is designed so that the lock latch is ideally guided and located without any danger of it becoming jammed. The Easy Adapt simply replaces the standard casing cover.

In the case of the Lucky Basic, Lucky Smoke and Lucky Fire 447/448 units, the Easy Adapt cover is part of the standard equipment.

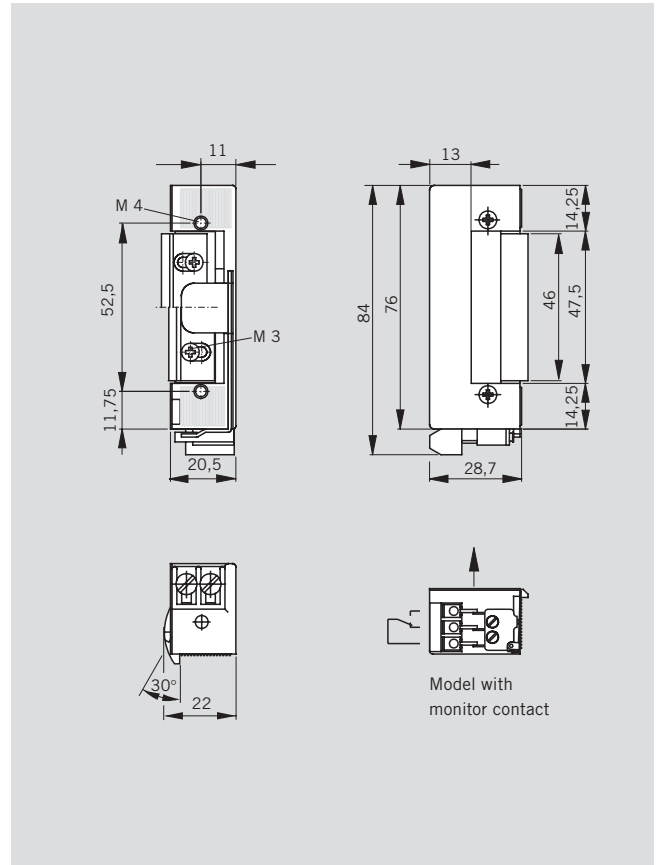
Thanks to the Easy Adapt concept, there is no need for disruptive recesses in the door frame for the electric strike latch, so the door seal is left unbroken.

ELECTRIC STRIKES

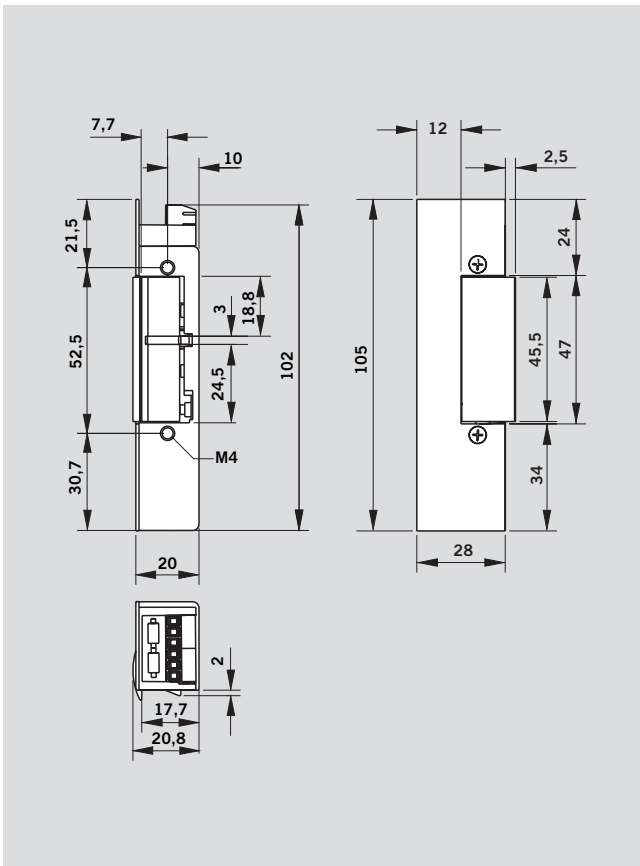
Basic / Basic-Safe / Smoke



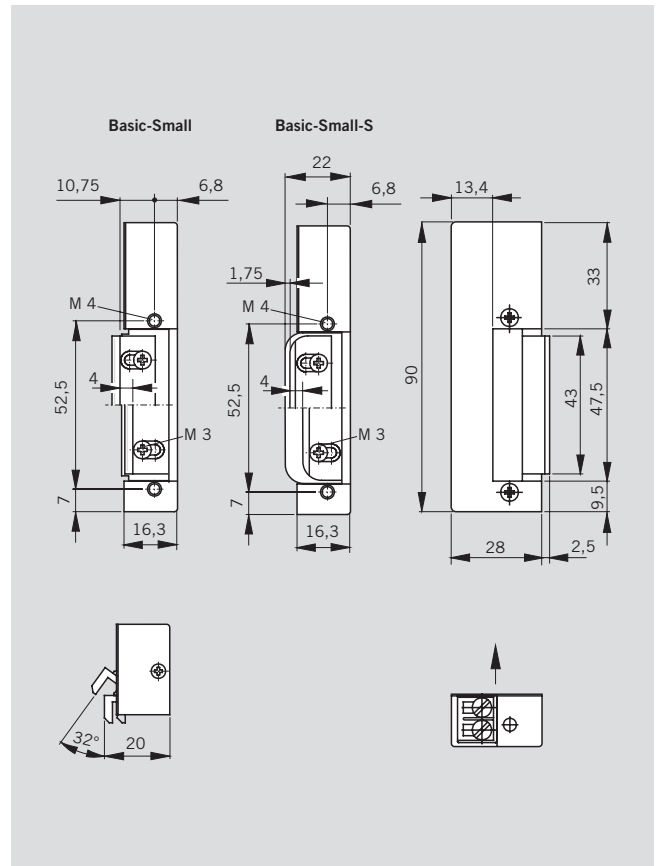
Basic-Radius / Basic-Radius Safe



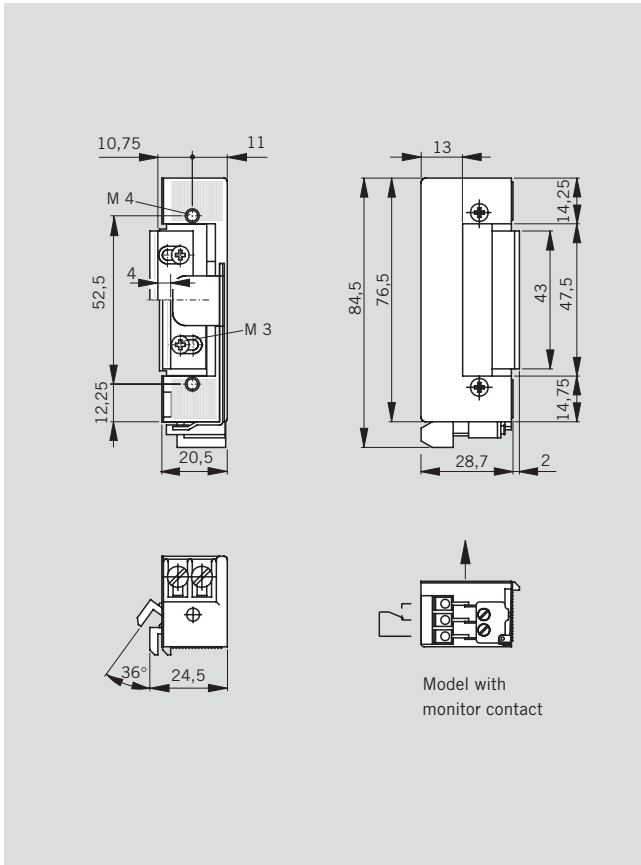
DES 7xx



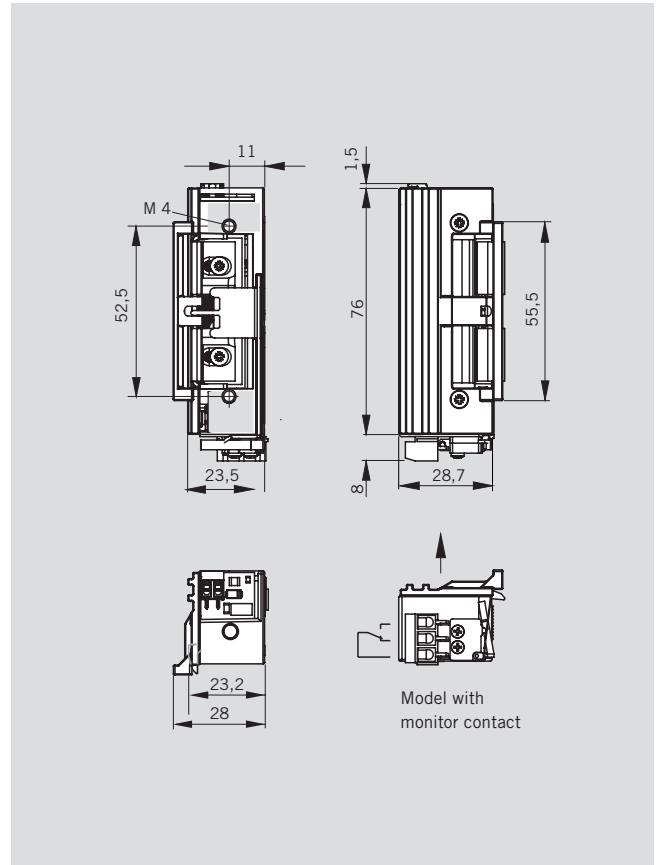
Basic-Small / Basic-Small-S



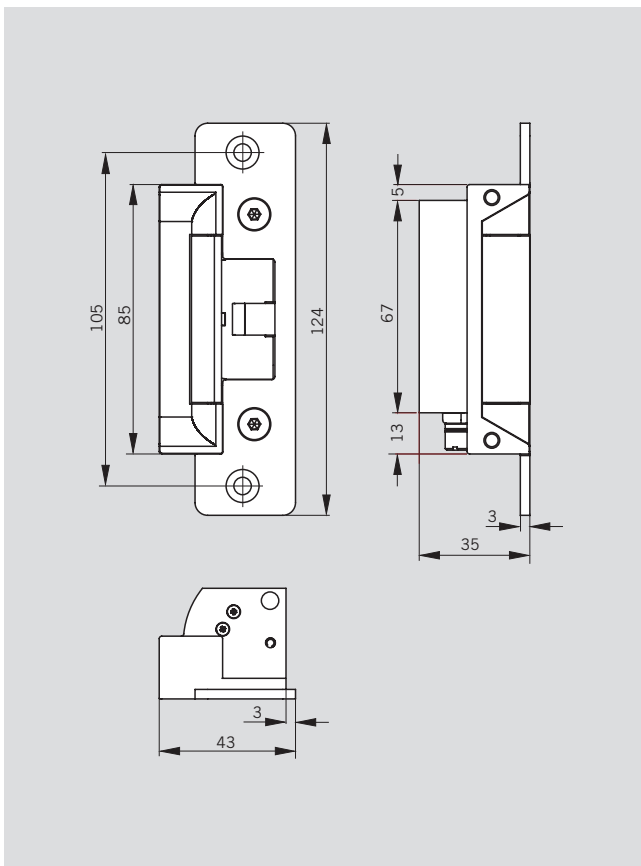
Fire 447 / Fire 448



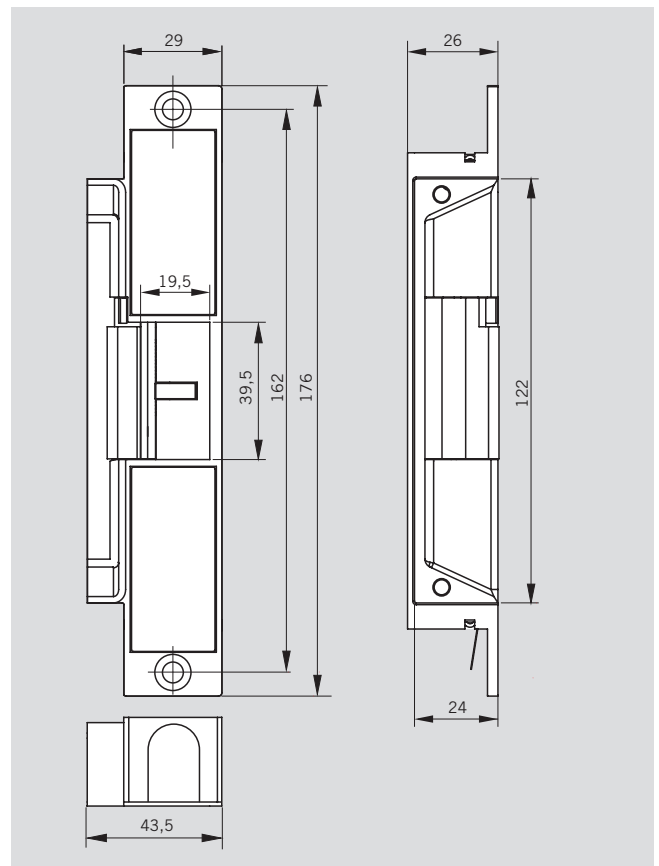
Fire 448 + Easy Adapt



DES 300



DES 400



STANDARD ELECTRIC STRIKES

| Series | Voltage | Unlocking function (E) | Holding function (A) | Monitor contact (RR) | Easy Adapt | Type | Order No. |
|--|--------------------------|------------------------|----------------------|----------------------|------------|----------|-----------|
| Basic | 6–12 V AC/DC | – | – | – | – | | 15117106 |
| | | ● | – | – | – | E | 15117206 |
| | | – | ● | – | – | A | 15117306 |
| | | ● | ● | – | – | AE | 15117406 |
| | | – | – | ● | – | RR | 15117506 |
| | | ● | – | ● | – | E-RR | 15117606 |
| | | – | ● | ● | – | A-RR | 15117706 |
| | | ● | ● | ● | – | AE-RR | 15117806 |
| | 12 V AC | – | – | ● | – | | 15117111 |
| | | ● | – | – | – | E | 15117211 |
| | | – | – | ● | – | | 15117112 |
| | | ● | – | – | – | E | 15117212 |
| | | – | ● | – | – | A | 15117312 |
| | | ● | ● | – | – | AE | 15117412 |
| | | – | – | ● | – | RR | 15117512 |
| | | ● | – | ● | – | E-RR | 15117612 |
| | 12 V DC 100% ED | – | – | ● | – | | 15117112 |
| | | ● | – | – | – | E | 15117212 |
| | | – | ● | – | – | A | 15117312 |
| | | ● | ● | – | – | AE | 15117412 |
| | | – | – | ● | – | RR | 15117512 |
| | | ● | – | ● | – | E-RR | 15117612 |
| | | – | ● | ● | – | A-RR | 15117712 |
| | | ● | ● | ● | – | AE-RR | 15117812 |
| | 24 V DC 100% ED | – | – | ● | – | | 15117124 |
| | | ● | – | – | – | E | 15117224 |
| | | – | ● | – | – | A | 15117324 |
| | | ● | ● | – | – | AE | 15117424 |
| – | | – | ● | – | RR | 15117524 | |
| ● | | – | ● | – | E-RR | 15117624 | |
| – | | ● | ● | – | A-RR | 15117724 | |
| ● | | ● | ● | – | AE-RR | 15117824 | |
| Basic 448 Lucky Strike | 12–24 V DC 100% ED | – | – | ● | – | | 15117148 |
| | | – | – | ● | – | RR | 15117548 |
| | | – | – | ● | ● | | 15117147 |
| | | – | – | ● | ● | RR | 15117547 |
| Basic 448 Lucky Strike incl. GL-Module | 12–24 V AC/DC 100% ED | – | – | ● | – | | 15117144 |
| | | – | – | ● | – | RR | 15117544 |
| | | – | – | ● | ● | | 15117143 |
| | | – | – | ● | ● | RR | 15117543 |
| Basic-Safe | 12 V DC 100% ED | – | – | ● | – | | 15137112 |
| | | – | – | ● | – | RR | 15137512 |
| | 24 V DC 100% ED | – | – | ● | – | | 15137124 |
| | | – | – | ● | – | RR | 15137524 |

Contact rating: max. 48 V, 1 A (RR model)

● = yes – = no

Specification text

Electric strike with adjustable latch, for over-rebated and flush-closing doors, non-handed.

Model: Basic

Fail-secure

 6–12 V AC/DC 12 V AC 12 V DC 24 V DC Lucky Strike 12–24 V DC Lucky Strike 12–24 V AC/DC incl. GL-Module with holding function with unlocking function with monitor contact**Model: Basic-Safe**

Fail-Safe

 12 V DC 24 V DC with monitor contact**Accessories**

(to be ordered separately)

Easy Adapt

(see page 30)

Stainless steel strike plate

(see page 13)

Lucky Strike Platine

(see page 30)

ELECTRIC STRIKES WITH RADIUS LATCH

| Series | Voltage | Unlocking function (E) | Holding function (A) | Monitor contact (RR) | Easy Adapt | Type | Order No. | |
|-------------------|--------------------|------------------------|----------------------|----------------------|------------|------|-----------|----------|
| Basic-Radius | 6–12 V AC/DC | – | – | – | – | | 15111106 | |
| | | ● | – | – | – | E | 15111206 | |
| | | – | ● | – | – | A | 15111306 | |
| | | ● | ● | – | – | AE | 15111406 | |
| | | – | – | ● | – | RR | 15111506 | |
| | Fail-secure | 12 V DC 100% ED | – | – | – | – | | 15111112 |
| | | | – | – | ● | – | RR | 15111512 |
| | | 24 V DC 100% ED | – | – | – | – | | 15111124 |
| | | | – | – | ● | – | RR | 15111524 |
| | | | – | – | ● | – | RR | 15111524 |
| Basic-Radius Safe | Fail-Safe | 12 V DC 100% ED | – | – | – | – | 15131112 | |
| | | | – | – | ● | – | RR | 15131512 |
| | 24 V DC 100% ED | – | – | – | – | | 15131124 | |
| | | – | – | ● | – | RR | 15131524 | |

Contact rating: max. 48 V, 1 A (RR model)

● = yes – = no

Specification text

Electric strike with adjustable latch, for over-rebated and flush-closing doors, non-handed.

Model: Basic-Radius

Fail-secure

- 6–12 V AC/DC
- 12 V DC
- 24 V DC

- with holding function
- with unlocking function
- with monitor contact

Model: Basic-Radius Safe

Fail-Safe

- 12 V DC
- 24 V DC

- with monitor contact

Accessories

(to be ordered separately)

Stainless steel strike plate (see page 13)

ASYMMETRIC ELECTRIC STRIKES

| Series | Voltage | Unlocking function (E) | Holding function (A) | Monitor contact (RR) | Easy Adapt | Type | Order No. |
|---------|---------------------------|------------------------|----------------------|----------------------|------------|------|--------------|
| DES 720 | Fail-secure 12/24 V DC | - | - | - | - | L/R | 703000002943 |
| DES 721 | | - | - | ● | - | L/R | 703000002944 |
| DES 731 | Fail-Safe 12/24 V DC | - | - | ● | - | L/R | 703000002945 |

● = yes - = no

Specification text

Electric strike with permanent keeper (not adjustable) for normal demands, for over-rebated and flush-closing doors, non-handed.

Model:

- Fail-secure
12/24 V DC
 with monitor contact

- Fail-Safe
12/24 V DC
 with monitor contact

Accessories

(to be ordered separately)

Stainless steel strike plate
(see page 13)

| Series | Voltage | LH/ ISO 6 | RH/ ISO 5 | Unlocking function (E) | Holding function (A) | Easy Adapt | Type | Order No. |
|---------------|-----------------------------|--------------|--------------|------------------------|----------------------|------------|------|-----------|
| Basic-Small | Fail-secure 6-12 V AC/DC | ● | - | - | - | - | L | 15119106 |
| | | ● | - | ● | - | - | LE | 15119206 |
| | | - | ● | - | - | - | R | 15118106 |
| Basic-Small-S | Fail-secure 6-12 V AC/DC | - | ● | ● | - | - | RE | 15118206 |
| | | ● | - | ● | - | - | LE | 15121206 |
| | | - | ● | ● | - | - | RE | 15120206 |

● = yes - = no

Specification text

Electric strike of compact design for thermal-break profiles, with adjustable latch, for over-rebated and flush-closing doors.

Model:

- Fail-secure
 6-12 V AC/DC
 ISO 6
 ISO 5
 with unlocking function

Basic-Small-S

with lip seal for covering the recess in the profile

- Fail-secure
 6-12 V AC/DC
 ISO 6
 ISO 5
 with unlocking function

Accessories

(to be ordered separately)

Stainless steel strike plate
(see page 13)

ELECTRIC STRIKES FOR SMOKE CHECK DOORS

| Series | Voltage | Unlocking function (E) | Holding function (A) | Monitor contact (RR) | Easy Adapt | Type | Order No. |
|--|--------------------------|------------------------|----------------------|----------------------|------------|------|-----------|
| Smoke | 6–12 V AC/DC | – | – | – | – | | 15117006 |
| | | – | – | ● | – | RR | 15117906 |
| | 12 V AC | – | – | – | – | | 15117011 |
| | | – | – | ● | – | RR | 15117911 |
| | 12 V DC 100% ED | – | – | – | – | | 15117012 |
| | | – | – | ● | – | RR | 15117912 |
| Smoke 448 Lucky Strike | 24 V DC 100% ED | – | – | – | – | | 15117024 |
| | | – | – | ● | – | RR | 15117924 |
| | 12–24 V DC 100% ED | – | – | – | – | | 15117048 |
| | | – | – | ● | – | RR | 15117948 |
| | | – | – | – | ● | | 15117047 |
| | | – | – | ● | ● | RR | 15117947 |
| Smoke 448 Lucky Strike incl. GL-Module | 12–24 V AC/DC 100% ED | – | – | – | – | | 15117044 |
| | | – | – | ● | – | RR | 15117944 |
| | | – | – | – | ● | | 15117043 |
| | | – | – | ● | ● | RR | 15117943 |

Contact rating: max. 48 V, 1 A (RR model)

● = yes – = no

Advice

Security electric strikes may only be used in conjunction with door closers in accordance with DIN EN 1154, DIN 18263-1 and DIN 18263-4 on swing/pivoting doors.

In the case of doors that exert increased pressure on the electric strike latch in the closed position as a result of design factors (e.g. seals), the models must be operated using alternating current (AC).

This applies in particular if the door is equipped with a swing door operator.

F Approval certification

The DORMA security electric strike has been tested by the State Material Testing Authority of North Rhine-Westphalia, Germany for use with smoke check doors (general approval covering any position).

An approval certificate is also required for the smoke check door to be used with the DORMA.

Specification text

Security electric strike for use on fire and smoke check doors, with adjustable latch, for over-rebated and flush closing doors, non-handed.

Model: Smoke

- Fail-secure
- 6–12 V AC/DC
 - 12 V AC
 - 12 V DC
 - 24 V DC
 - Lucky Strike 12–24 V DC
 - Lucky Strike 12–24 V AC/DC incl. GL-Module

- with monitor contact

Accessories

(to be ordered separately)

- Easy Adapt (see page 30)
- Stainless steel strike plate (see page 13)

ELECTRIC STRIKES FOR FIRE AND SMOKE CHECK DOORS

| Series | Voltage | Unlocking function (E) | Holding function (A) | Monitor contact (RR) | Easy Adapt | Type | Order No. |
|---|--------------------------|------------------------|----------------------|----------------------|------------|----------|-----------|
| Fire 447 | 6–12 V AC/DC | – | – | – | – | | 15147106 |
| | | – | – | ● | – | RR | 15147506 |
| | 12 V AC | – | – | – | – | | 15147111 |
| | | – | – | ● | – | RR | 15147511 |
| | 12 V DC 100% ED | – | – | – | – | | 15147112 |
| | | – | – | ● | – | RR | 15147512 |
| Fire 448 Lucky Strike | 12–24 V DC 100% ED | – | – | – | – | | 15147148 |
| | | – | – | ● | – | RR | 15147548 |
| | – | – | – | ● | | 15147147 | |
| | – | – | ● | ● | RR | 15147547 | |
| | 12–24 V AC/DC 100% ED | – | – | – | – | | 15147144 |
| | | – | – | ● | – | RR | 15147544 |
| Fire 448 Lucky Strike incl. GL-Module | 12–24 V AC/DC 100% ED | – | – | – | ● | | 15147143 |
| | | – | – | ● | ● | RR | 15147543 |

Contact rating: max. 48 V, 1 A (RR model)

● = yes – = no

Advice

Security electric strikes may only be used in conjunction with door closers in accordance with DIN EN 1154, DIN 18263-1 and DIN 18263-4 on swing/pivoting doors.

In the case of doors that exert increased pressure on the electric strike latch in the closed position as a result of design factors (e.g. seals), the models must be operated using alternating current (AC).

This applies in particular if the door is equipped with a swing door operator.

F Approval certification

The DORMA Fire 447 and Fire 448 security electric strike has been tested by the State Material Testing Authority of North Rhine-Westphalia, Germany for use with fire and smoke check doors (general approval covering any position). An approval certificate is also required for the fire and smoke check door to be used with the respective DORMA door strike.

Specification text

Security electric strike for use on fire and smoke check doors, with adjustable latch, for over-rebated and flush closing doors, non-handed.

Model: Fire 447/448

- Fail-secure
- 6–12 V AC/DC
 - 12 V AC
 - 12 V DC
 - 24 V DC
 - Lucky Strike 12–24 V DC
 - Lucky Strike 12–24 V AC/DC incl. GL-Module

- with monitor contact

Accessories

(to be ordered separately)

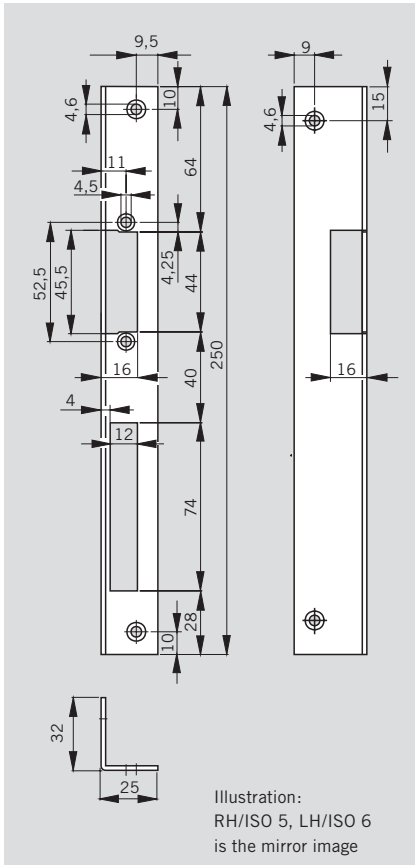
- Easy Adapt (see page 30)
- Stainless steel strike plate (see page 13)

Stainless steel strike plates for electrical strikes

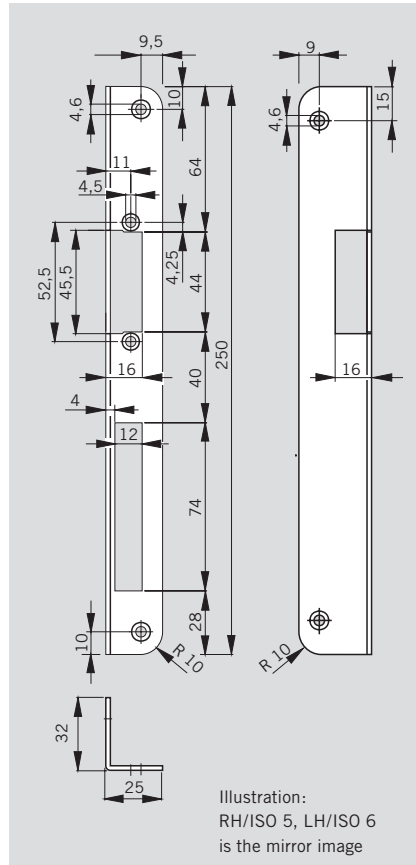
| | Electric Strikes | | | | | | | Characteristics | | | | | Order No. |
|---|------------------|----------------------------------|--------------|-------------------|-------------|---|---------------------------------|------------------------------|--|------------------|----|-------------|-----------|
| | DES 7xx | Basic, Lucky Basic Basic Safe | Basic-Radius | Basic-Radius Safe | Basic Small | Smoke Lucky Smoke Fire 447 / Fire 448 Lucky Fire 448 | Dimensions mm | R = RH/ISO 5 L = LH/ISO 6 | Edges radiused (for wooden doors) with holes for bolt locking contact | Drawing see page | | | |
| Rebated strike plates | | | | | | | | | | | | | |
| WR 25 | - | ● | ● | - | ● | ● | 25x32x250x3 | R | - | - | 14 | 15170025 | |
| WL 25 | - | ● | ● | - | ● | ● | 25x32x250x3 | L | - | - | 14 | 15171025 | |
| WR 25-R | - | ● | ● | - | ● | ● | 25x32x250x3 | R | ● | - | 14 | 15170125 | |
| WL 25-R | - | ● | ● | - | ● | ● | 25x32x250x3 | L | ● | - | 14 | 15171125 | |
| WR 25-R-RK | - | ● | ● | - | ● | ● | 25x32x250x3 | R | ● | ● | 14 | 15170225 | |
| WL 25-R-RK | - | ● | ● | - | ● | ● | 25x32x250x3 | L | ● | ● | 14 | 15171225 | |
| Flanged strike plates | | | | | | | | | | | | | |
| FKH 24 | ● | ● | ● | - | ● | ● | 24x135x3 | L/R | - | - | 14 | 15180324 | |
| FKM 24 | ● | ● | ● | - | ● | ● | 24x135x3 | L/R | - | - | 14 | 15180424 | |
| FL 22 | ● | ● | ● | ● | ● | ● | 22x250x3 | L/R | - | - | 15 | 15180022 | |
| FLH 24 | ● | ● | ● | - | ● | ● | 24x250x3 | L/R | - | - | 15 | 15180124 | |
| FLH 24-94 | ● | ● | ● | - | ● | ● | 24x250x3 | L/R | - | - | 15 | 15181124 | |
| FLM 24 | ● | ● | ● | - | ● | ● | 24x250x3 | L/R | - | - | 15 | 15180224 | |
| FLM 24-94 | ● | ● | ● | - | ● | ● | 24x250x3 | L/R | - | - | 15 | 15181224 | |
| FLM 24-RK | ● | ● | ● | - | ● | ● | 24x250x3 | L/R | - | ● | 15 | 15180724 | |
| FLM-131 | ● | ● | ● | - | ● | ● | 25x280x3 | L/R | - | - | 16 | 16500000149 | |
| FLM131-RK | ● | ● | ● | - | ● | ● | 25x280x3 | L/R | - | ● | 16 | 16500000166 | |
| Strike plates for use in combination with "Easy Adapt" | | | | | | | | | | | | | |
| FLM25 Easy Adapt | - | ● | - | - | ● | ● | 25x250x3 (Lap 40 / 80 mm) | L/R | - | - | 16 | 15180925 | |
| FLM26 Easy Adapt | - | ● | - | - | ● | ● | 25x250x3 (Lap 40 / 100 mm) | L/R | - | - | 16 | 15180926 | |
| FLM28 Easy Adapt | - | ● | - | - | ● | ● | 28x250x3 | L/R | - | - | 16 | 15180928 | |
| FLR25 Easy Adapt | - | ● | - | - | ● | ● | 25x250x3 (Lap 40 / 80 mm) | L/R | ● | - | 16 | 16500000090 | |
| FLR30 Easy Adapt | - | ● | - | - | ● | ● | 30x250x3 (Lap 37.5 / 100 mm) | L/R | ● | - | 16 | 15180930 | |
| FLR30-RK Easy Adapt | - | ● | - | - | ● | ● | 30x250x3 (Lap 37.5 / 100 mm) | L/R | ● | ● | 17 | 15180830 | |
| FLM34 Easy Adapt | - | ● | - | - | ● | ● | 34x250x3 | L/R | - | - | 17 | 16500000106 | |
| FLM34-RK Easy Adapt | - | ● | - | - | ● | ● | 34x250x3 | L/R | - | - | 17 | 16500000107 | |
| FL34 Easy Adapt | - | ● | - | - | ● | ● | 34x250x3 | L/R | - | - | 17 | 15180934 | |
| FL34-RK Easy Adapt | - | ● | - | - | ● | ● | 34x250x3 | L/R | - | ● | 17 | 15180834 | |
| FL35-RK Easy Adapt | - | ● | - | - | ● | ● | 35x280x3 | L/R | - | ● | 17 | 16500000165 | |

● = yes - = no

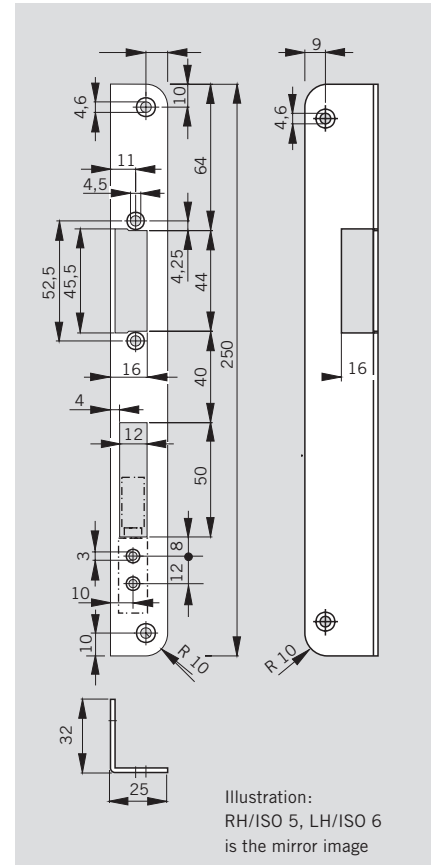
WR 25 / WL 25



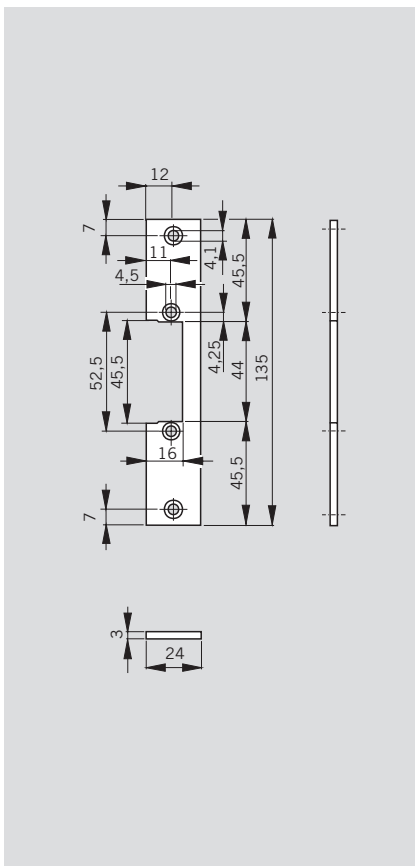
WR 25-R / WL 25-R



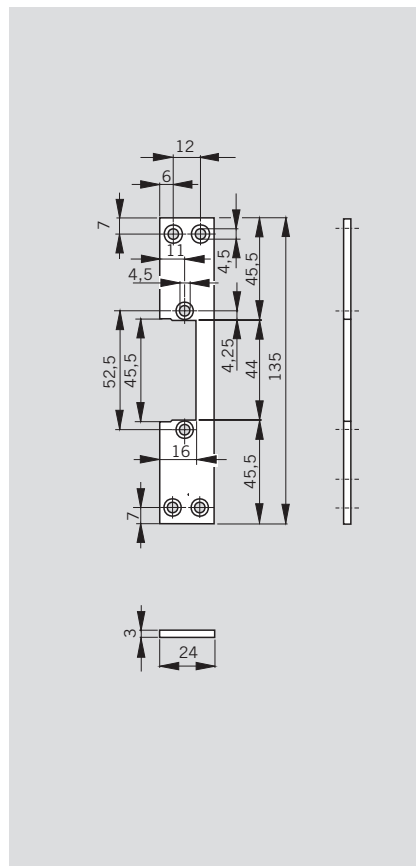
WR 25 / WL 25-RK



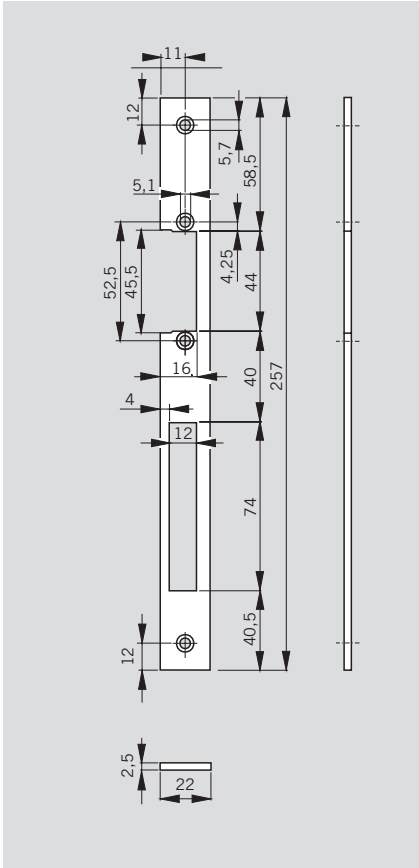
FKH 24



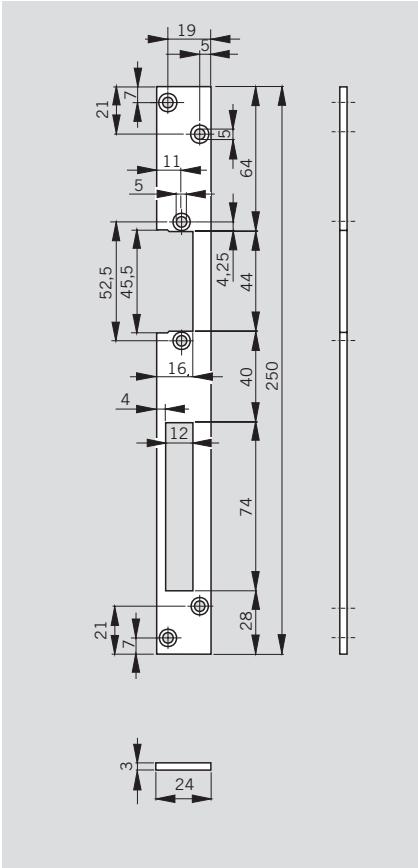
FKM 24



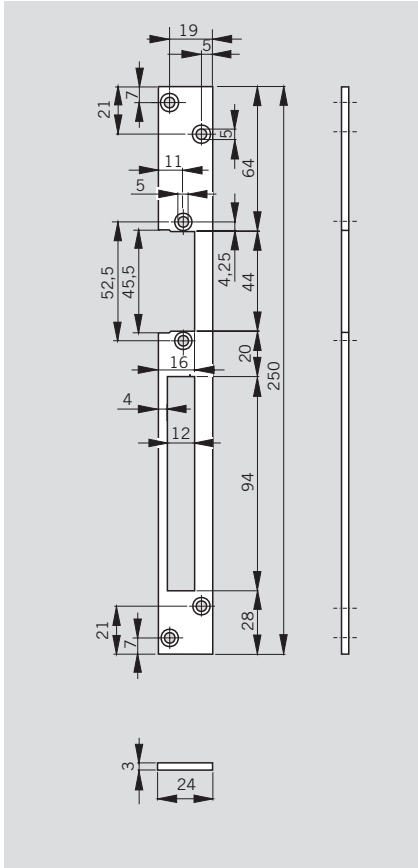
FL 22



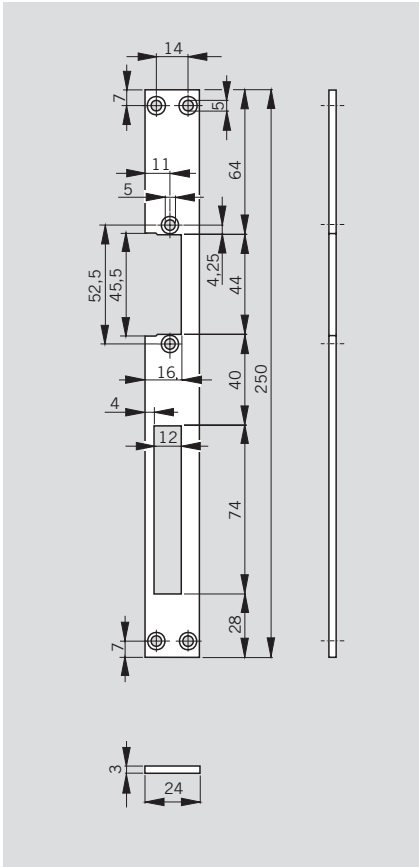
FLH 24



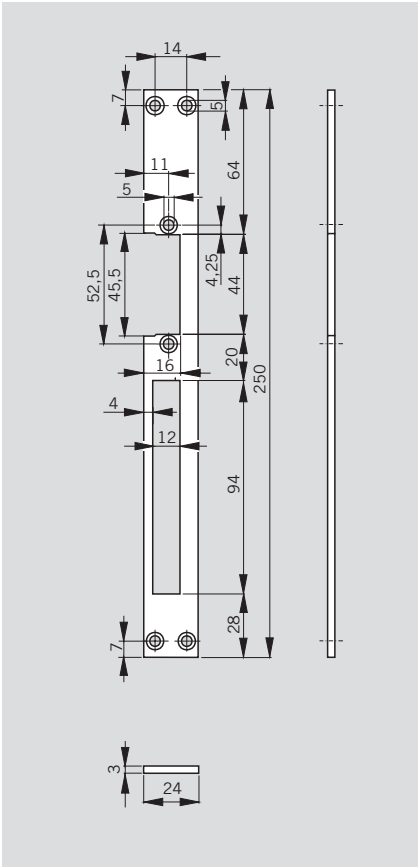
FLM 24-94



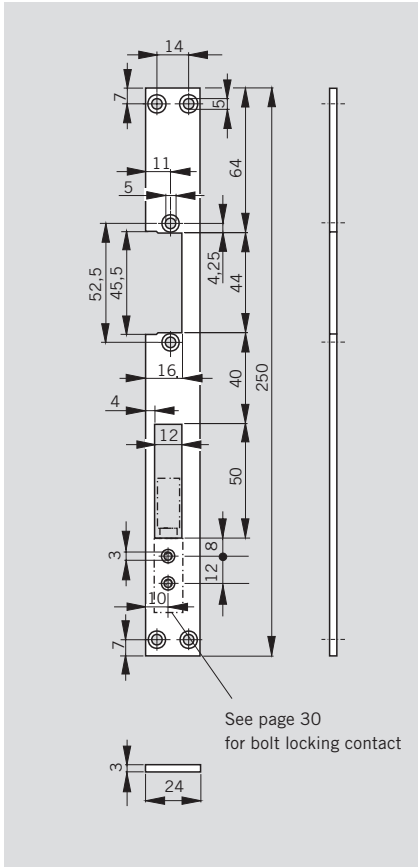
FLM 24



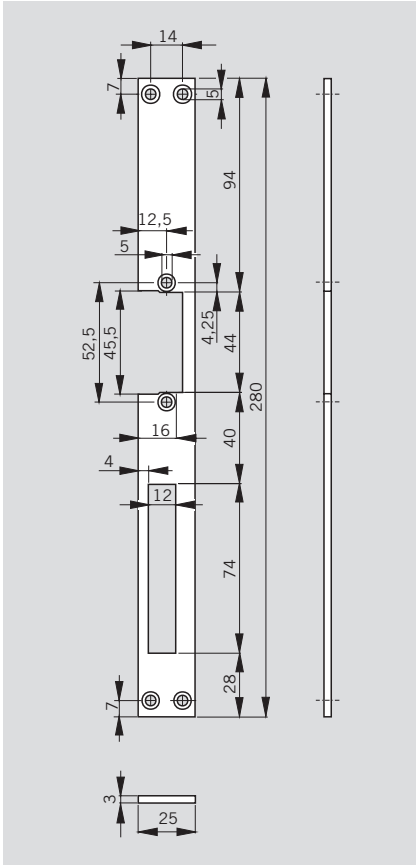
FLM 24-94



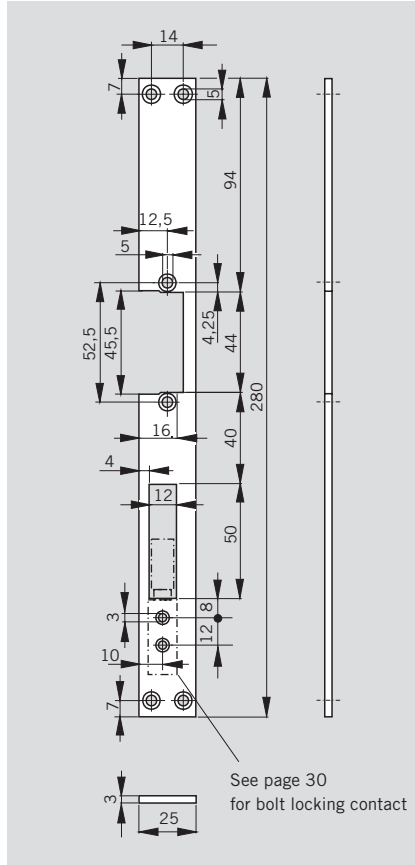
FLM 24 RK



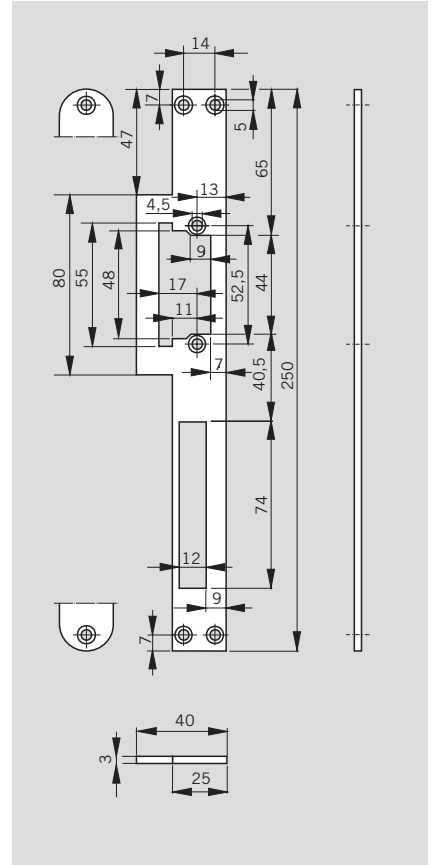
FLM 131



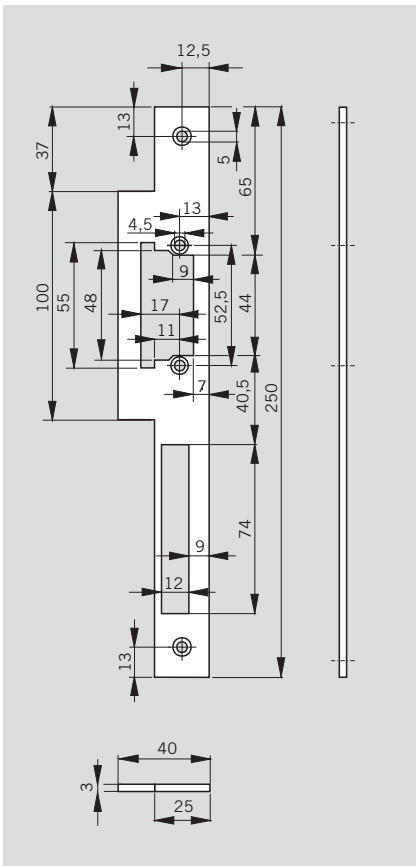
FLM 131-RK



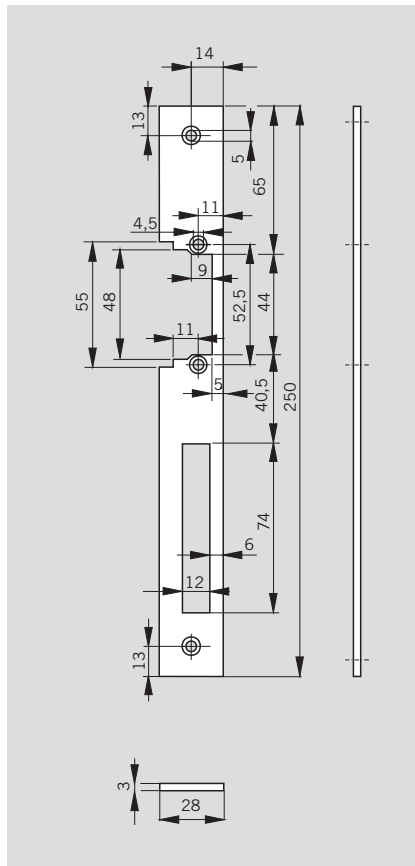
FLR 25 / FLM 25



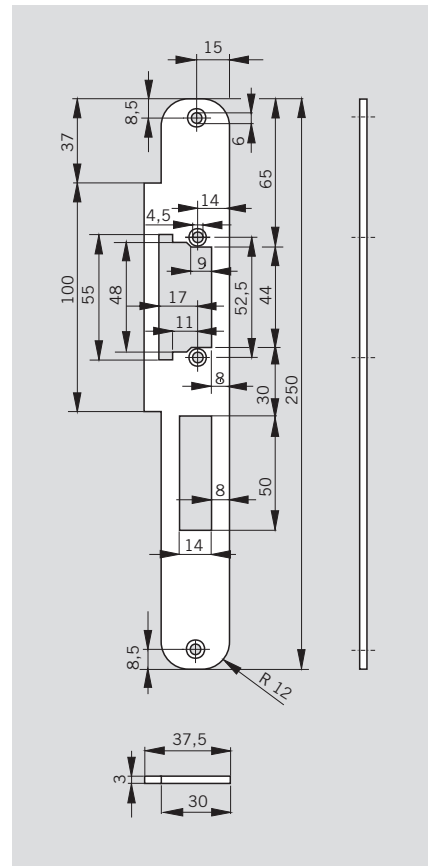
FLM 26



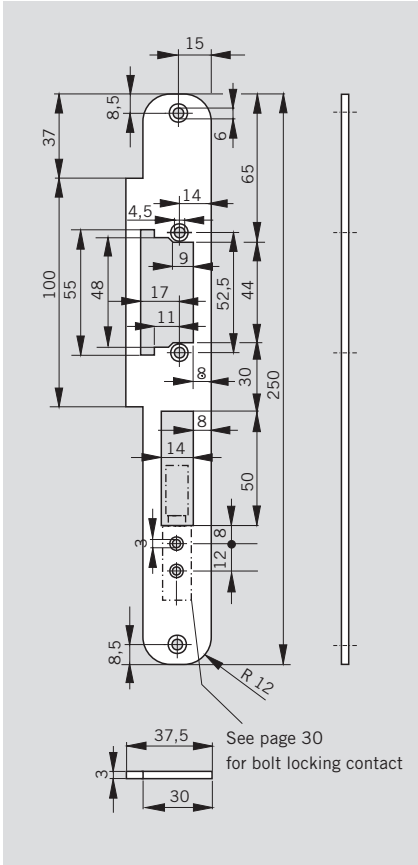
FLM 28



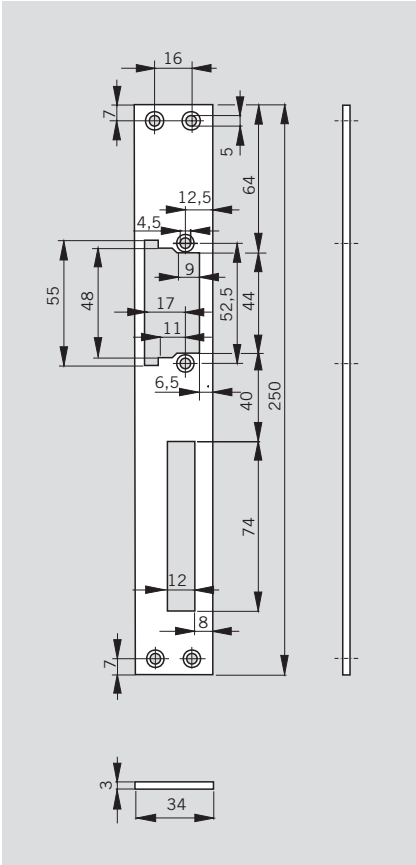
FLR 30



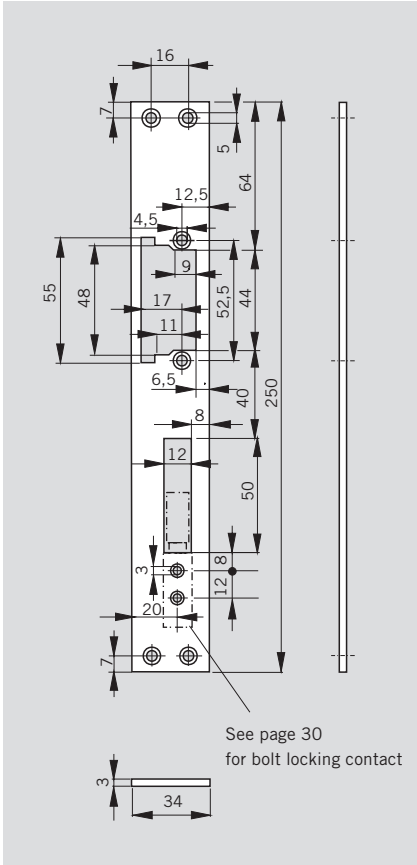
FLR 30-RK



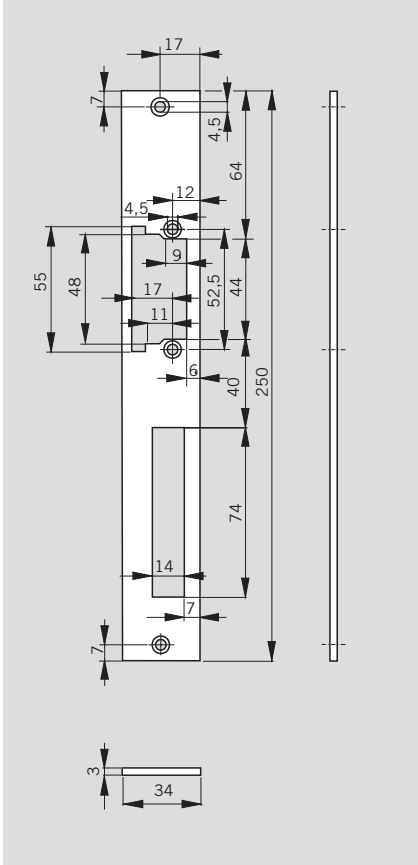
FLM 34



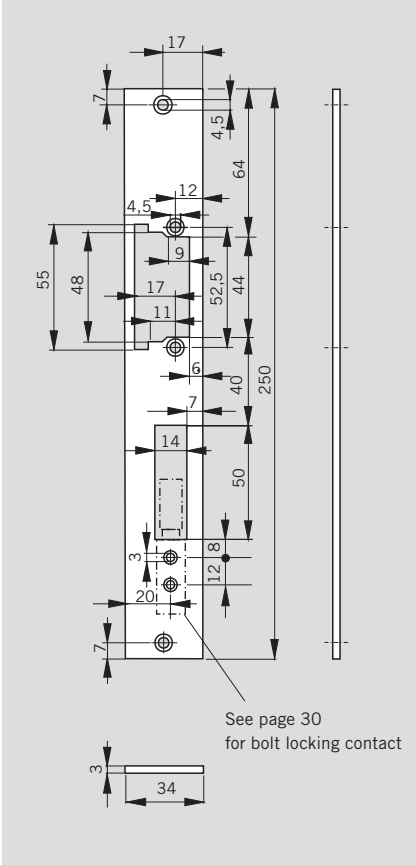
FLM 34-RK



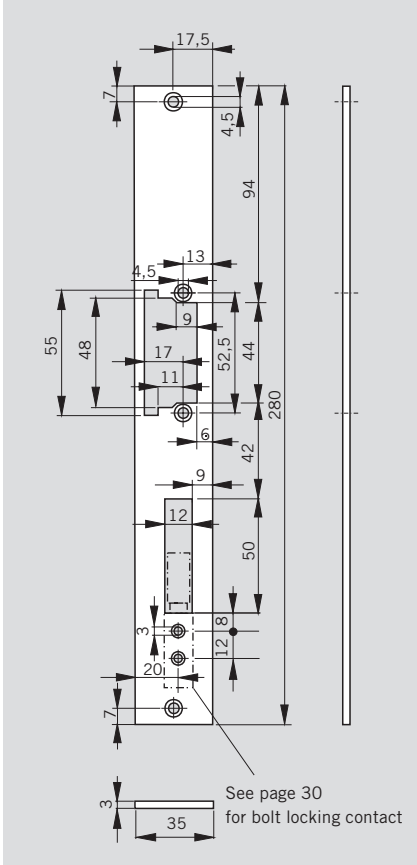
FL 34



FL 34-RK



FL 35-RK



SECURITY ELECTRIC STRIKES

| Series | Voltage | Anti-tamper contact | Monitor contact (RR) | Type | Order No. |
|---------|-----------------------|---------------------|----------------------|------|-----------|
| DES 300 | 12–24 V DC 100% ED | – | – | | 15112124 |
| | | – | ● | RR | 15115424 |
| DES 400 | 12–24 V DC 100% ED | – | – | | 15115124 |
| | | ● | ● | RR | 15115524 |

Contact rating: max. 48 V AC/30 V DC, 2A (RR model)

● = yes – = no

Electric Strike for heavy-duty applications.

Due to the robust construction this model is for use in doors with high level of security

- Superiour holding force
- Voltage field selectable 12V / 24 V DC
- Fail safe / fail secure, easy to adjust
- Monitoring contacts available
- Monitoring contact "door closed" available
- Anti tamper contact (DES400 only)

Specification text

Electric strikes for use in doors with high securtity demands. Voltage field selectle 12V / 24V. Fail safe or fail secure adjustable, stainless steel - strike plate included. For use LH and RH.

Model:

DES 300

with monitor contact

DES 400

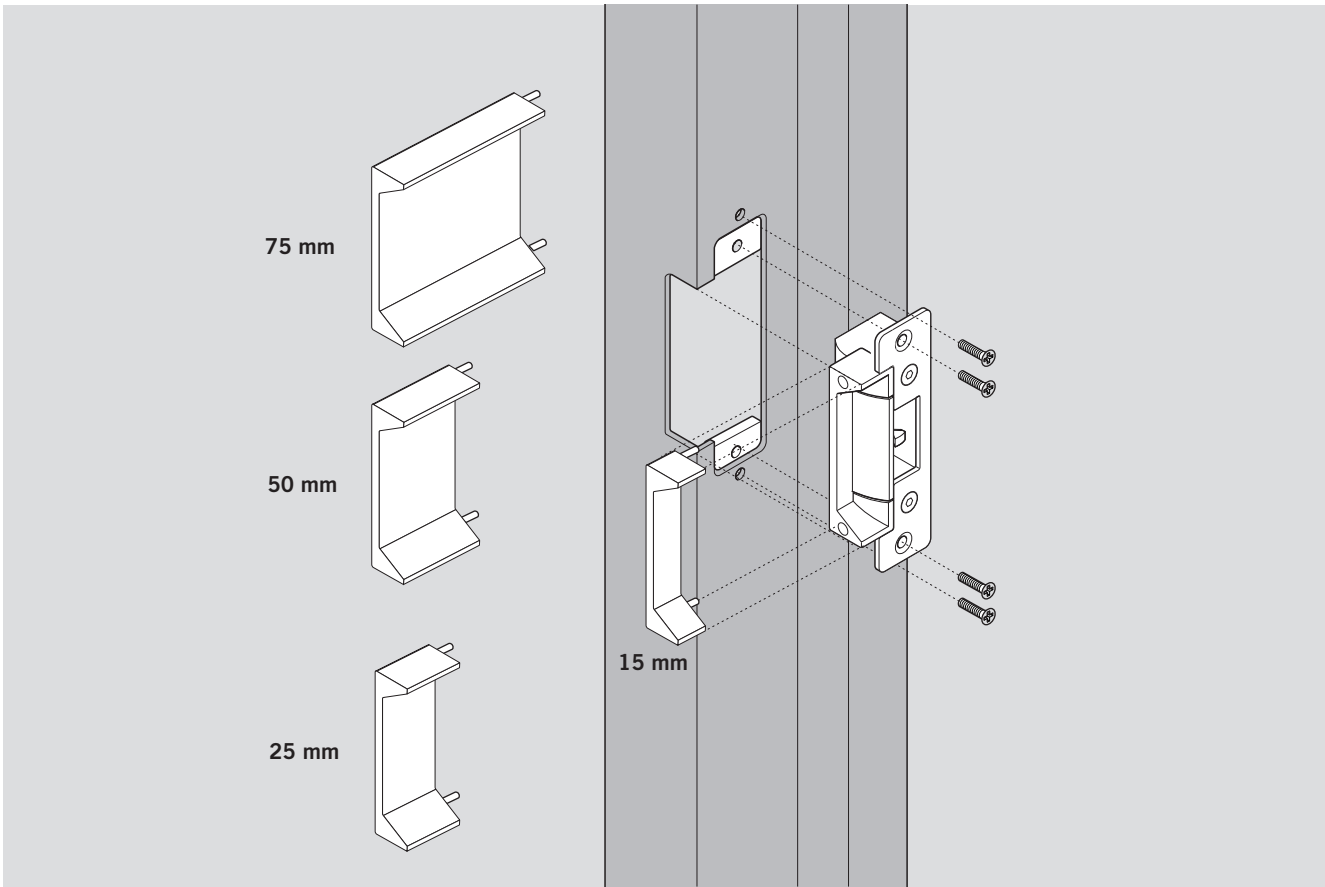
with monitor contact

Accessories

(to be ordered separately)

Extension lips

| Extension lips | | | |
|------------------|---------------|-----------|-----------|
| Electric Strikes | Extension lip | Extension | Order No. |
| DES 300 | DES 315 | 15 mm | 15115215 |
| | DES 325 | 25 mm | 15115225 |
| | DES 350 | 50 mm | 15115250 |
| | DES 375 | 75 mm | 15115275 |
| DES 400 | DES 415 | 15 mm | 15115015 |
| | DES 425 | 25 mm | 15115025 |
| | DES 450 | 50 mm | 15115050 |
| | DES 475 | 75 mm | 15115075 |



LOCKING MECHANISMS



Door locking mechanisms for concealed jamb installation. Can also be used as electric strikes for emergency exits. Integral monitor contacts for signalling active/inactive status. For over-rebated and flush-closing doors.

Maximum holding force in accordance with "Requirements for electrical locking systems on doors in emergency escape routes" (EItVTR Version 12/97).

Technical data

| | |
|---------------------|--|
| Operating voltage | 24 V DC, +/-5% |
| Power input | ca. 58 mA |
| Contact rating | 24 V, 500 mA inductive 24 V DC, 1.0 A ohmic |
| Recommended cabling | I-Y(ST) Y4 x 2 x 0.6 |

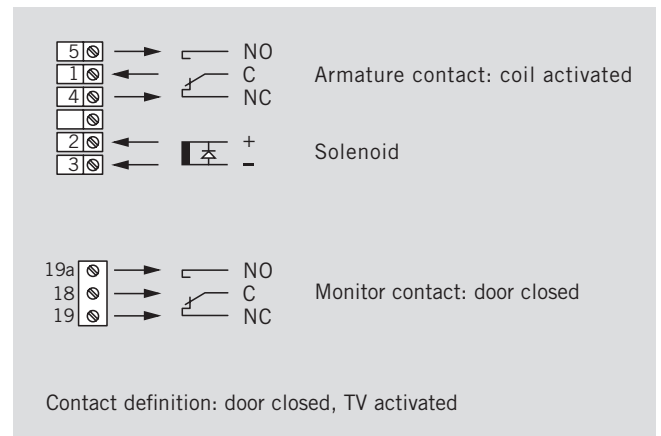
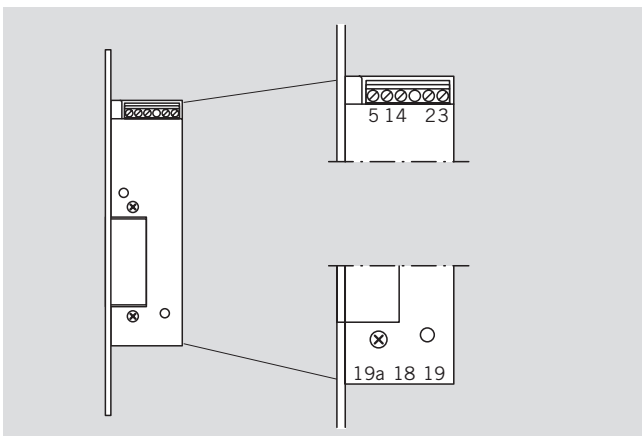
Benefits

- MPA certificated safety for use in emergency exits.
- Reduced energy, only 58 mA
- Optic advantage, the product is for sealed mounting
- Flexible use because of the adjustable latch.

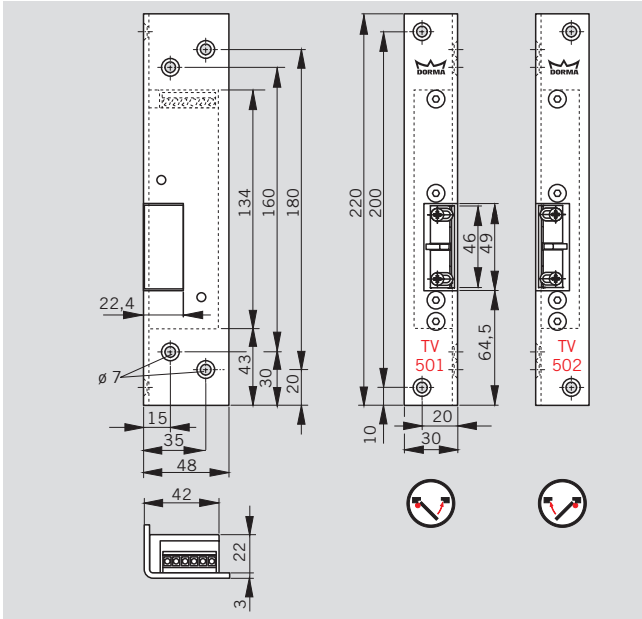
F Approval certification

Installation on fire and smoke check doors is only permitted where these doors are proven to be suitable and the associated service qualification assessment criteria are satisfied.

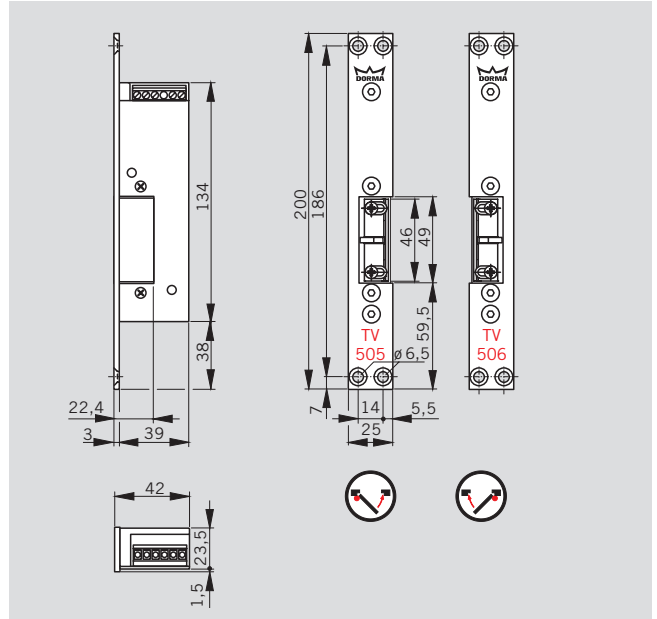
Terminal assignment and functions



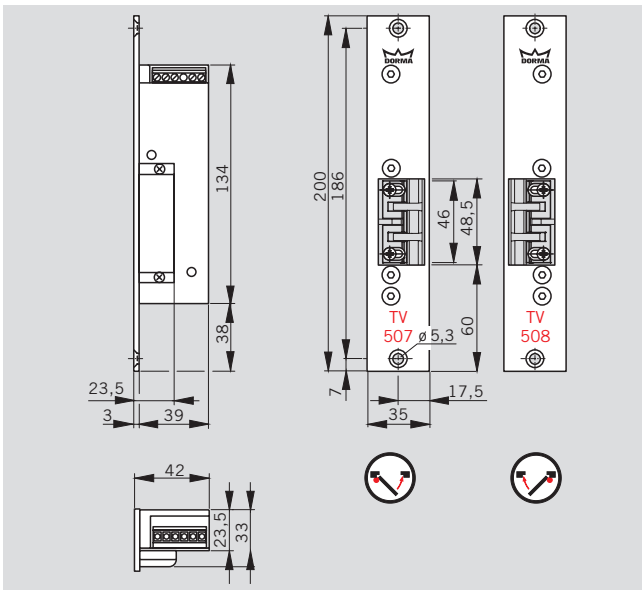
TV 501 / 502



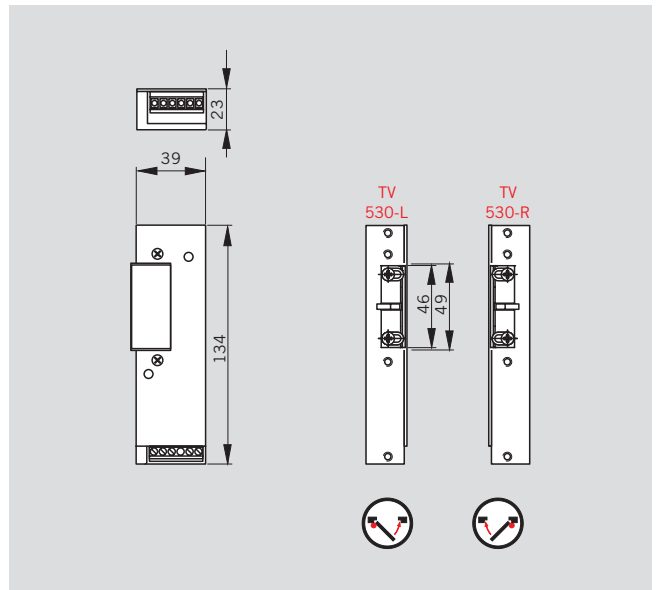
TV 505 / 506



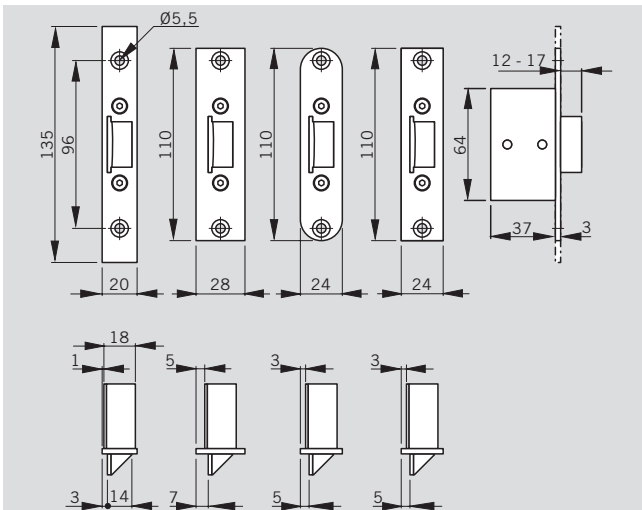
TV 507 / 508



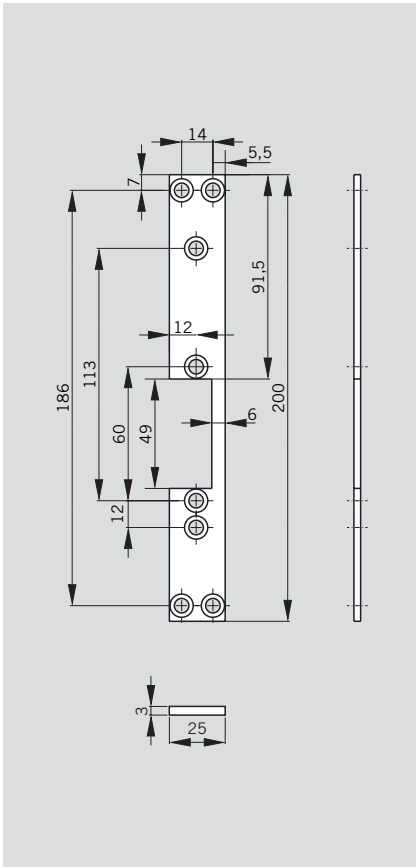
TV 530



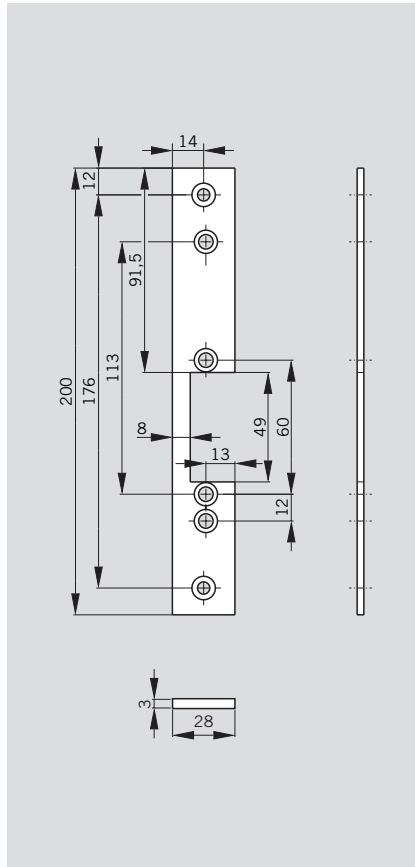
TV-Z 510



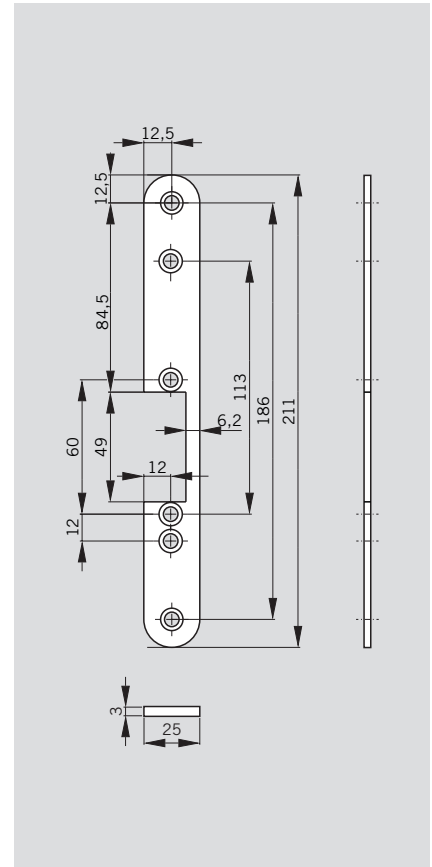
FKM 505/506 25-200



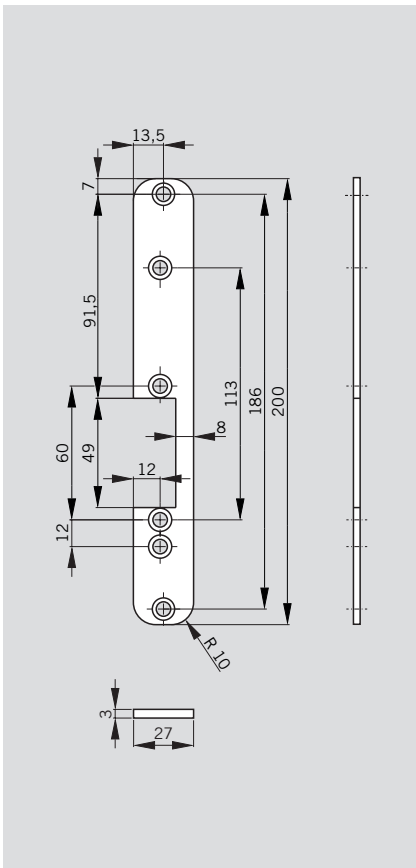
FKM 505/506 28-200



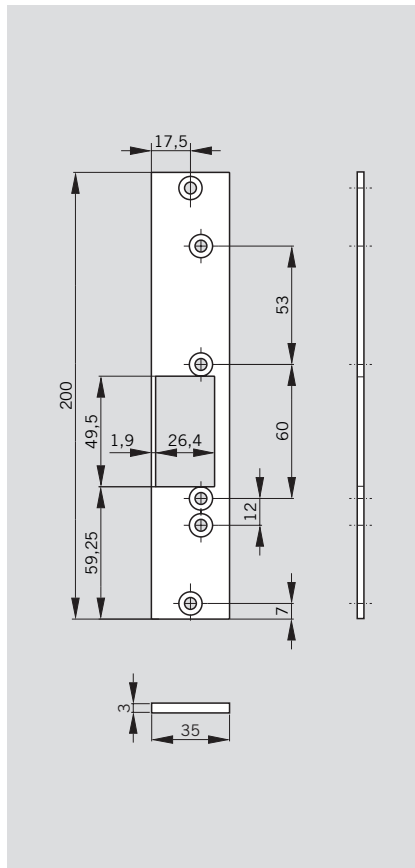
FKR 505/506 25-210



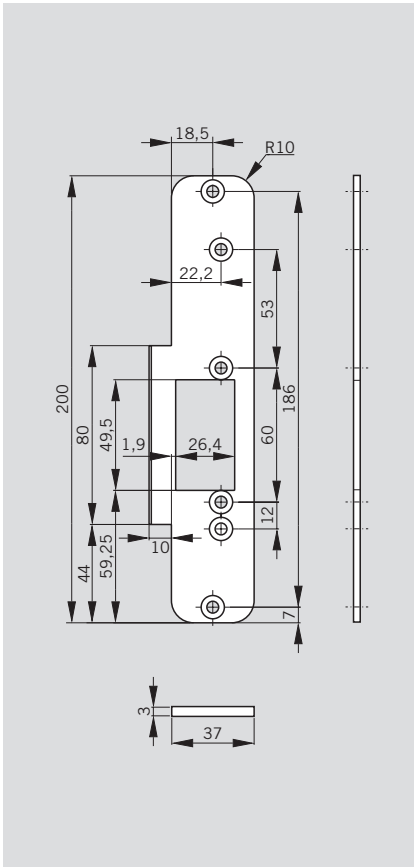
FKR 505/506 27-200



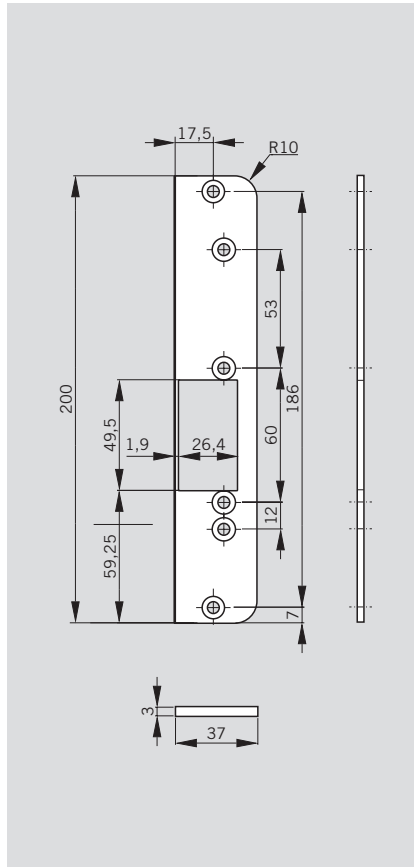
FK 507/508 35-200



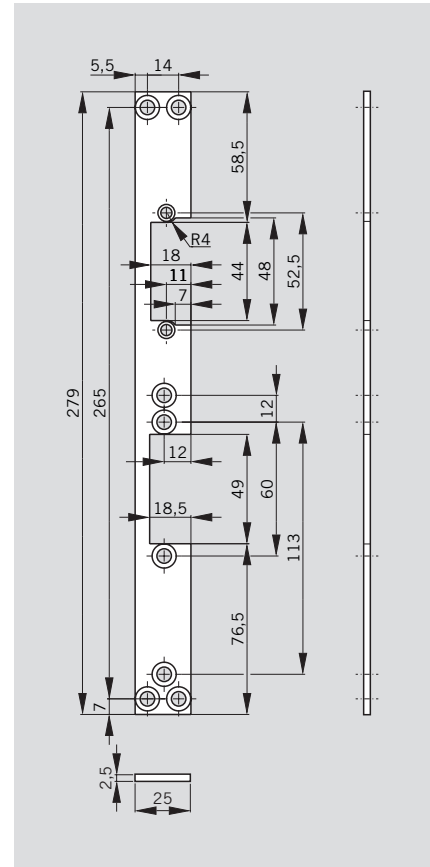
FKR 507/508 37-200



FK 507/508 37-200



FKM 530 25-280



| Series | Voltage | LH/ ISO 6 | RH/ ISO 5 | Easy Adapt | Strike plate | Type | Order No. | |
|---|---|--------------|--------------|---------------|-----------------|---------------------|-----------|----------|
| TV 50x with strike plate | 24 V DC | ● | – | – | Angle | TV 501 | 15150124 | |
| | | – | ● | – | Angle | TV 502 | 15150224 | |
| | – | ● | – | – | Flat | TV 505 | 15150524 | |
| | | – | ● | – | Flat | TV 506 | 15150624 | |
| | | ● | – | ● | Flat | TV 507 | 15150724 | |
| | | – | ● | ● | Flat | TV 508 | 15150824 | |
| TV 50x without strike plate | 24 V DC | ● | – | – | – | TV 500-L | 15150924 | |
| | | – | ● | – | – | TV 500-R | 15150024 | |
| | 12 V DC | ● | – | – | – | TV 500-L | 15150912 | |
| | | – | ● | – | – | TV 500-R | 15150012 | |
| | 24 V DC | ● | – | ● | – | TV 500-L Easy Adapt | 15150974 | |
| | | – | ● | ● | – | TV 500-R Easy Adapt | 15150074 | |
| | 12 V DC | ● | – | ● | – | TV 500-L Easy Adapt | 15150972 | |
| | | – | ● | ● | – | TV 500-R Easy Adapt | 15150072 | |
| | TV 510 without strike plate without armature contact | 24 V DC | ● | – | – | – | TV 510-L | 15151924 |
| | | | – | ● | – | – | TV 510-R | 15151024 |
| 12 V DC | | ● | – | – | – | TV 510-L | 15151912 | |
| | | – | ● | – | – | TV 510-R | 15151012 | |
| TV 520 without strike plate without armature contact without monitor contact | 24 V DC | ● | – | – | – | TV 520-L | 15152924 | |
| | | – | ● | – | – | TV 520-R | 15152024 | |
| | 12 V DC | ● | – | – | – | TV 520-L | 15152912 | |
| | | – | ● | – | – | TV 520-R | 15152012 | |
| TV 530 without strike plate mounting upside down | 24 V DC | ● | – | – | – | TV 530-L | 15153924 | |
| | | – | ● | – | – | TV 530-R | 15153024 | |
| | 12 V DC | ● | – | – | – | TV 530-L | 15153912 | |
| | | – | ● | – | – | TV 530-R | 15153012 | |

● = yes – = no

| Accessories | Dimensions | LH/ ISO 6 | RH/ ISO 5 | Edges radiused | Type | Order No. | |
|---------------------------|---------------------------------|-------------------|--------------|-------------------|----------------|----------------|-------------|
| TV-Z 510 | Forend 24 x 110 mm | – | – | – | TV-Z 510-24 | 15198124 | |
| Mortice latch lock | Forend 24 x 110 mm | – | – | ● | TV-Z 510-24 R | 15198224 | |
| | Forend 28 x 110 mm | – | – | – | TV-Z 510-28 | 15198128 | |
| | Forend 20 x 135 mm | – | – | – | TV-Z 510-20 | 15198120 | |
| | Flanged strike plate for | 25 x 200 x 3 mm | ● | – | – | FKM 505 25-200 | 15190505 |
| TV 500 | 25 x 200 x 3 mm | – | ● | – | FKM 506 25-200 | 15190506 | |
| TV 510 | 28 x 200 x 3 mm | ● | – | – | FKM 505 28-200 | 16500000017 | |
| TV 520 | 28 x 200 x 3 mm | – | ● | – | FKM 506 28-200 | 16500000018 | |
| | 25 x 210 x 3 mm | ● | – | ● | FKR 505 25-210 | 16500000349 | |
| | 25 x 210 x 3 mm | – | ● | ● | FKR 506 25-210 | 16500000350 | |
| | 27 x 200 x 3 mm | ● | – | ● | FKR 505 27-200 | 16500000351 | |
| | 27 x 200 x 3 mm | – | ● | ● | FKR 506 27-200 | 16500000352 | |
| | Flanged strike plate | 35 x 200 x 3 mm | ● | – | – | FK 507 35-200 | 15190507 |
| | Easy Adapt for | 35 x 200 x 3 mm | – | ● | – | FK 508 35-200 | 15190508 |
| | TV 500 | 37 x 200 x 3 mm | ● | – | ● | FKR 507 37-200 | 16500000282 |
| TV 520 | 37 x 200 x 3 mm | – | ● | ● | FKR 508 37-200 | 16500000281 | |
| | 37 x 200 x 3 mm | ● | – | ● ¹⁾ | FR 507 37-200 | 16500000347 | |
| | 37 x 200 x 3 mm | – | ● | ● ¹⁾ | FR 508 37-200 | 16500000346 | |
| | Flanged strike plate for | 25 x 279 x 2.5 mm | ● | – | – | FLM 530-L | 15190530 |
| TV 530 | 25 x 279 x 2.5 mm | – | ● | – | FLM 530-R | 15190531 | |

¹⁾ Two edges radiused

● = yes – = no

Specification text**DORMA TV 50x**

Door locking mechanism with integral monitor contacts for signalling active/inactive status.

Supplied with flanged strike plate and pack of fixings.

Maximum holding force in accordance with EltVTR with side-load-independent release

Model:

- with rebated strike plate 30 x 48 x 220 x 3 mm for Falztüren**
 - TV 501 ISO 6, 24 V DC
 - TV 502 ISO 5, 24 V DC
- with flanged strike plate 25 x 200 x 3 mm for flush-closing doors**
 - TV 505 ISO 6, 24 V DC
 - TV 506 ISO 5, 24 V DC
- with flanged strike plate 35 x 200 x 3 mm for latched model with flush-closing doors**
 - TV 507 ISO 6, 24 V DC
 - TV 508 ISO 5, 24 V DC
- without strike plate**
 - TV 500-L, ISO 6, 24 V DC
 - TV 500-R, ISO 5, 24 V DC
 - TV 500-L, ISO 6, 12 V DC
 - TV 500-R, ISO 5, 12 V DC
 - TV 500-L, ISO 6, Easy Adapt, 24 V DC
 - TV 500-R, ISO 5, Easy Adapt, 24 V DC
 - TV 500-L, ISO 6, Easy Adapt, 12 V DC
 - TV 500-R, ISO 5, Easy Adapt, 12 V DC
- without strike plate, without armature contact**
 - TV 510-L, ISO 6, 24 V DC
 - TV 510-R, ISO 5, 24 V DC
 - TV 510-L, ISO 6, 12 V DC
 - TV 510-R, ISO 5, 12 V DC
- without strike plate, without monitor contact, without armature contact**
 - TV 520-L, ISO 6, 24 V DC
 - TV 520-R, ISO 5, 24 V DC
 - TV 520-L, ISO 6, 12 V DC
 - TV 520-R, ISO 5, 12 V DC
- mounting upside down without strike plate**
 - TV 530-L, ISO 6, 24 V DC
 - TV 530-R, ISO 5, 24 V DC
 - TV 530-L, ISO 6, 12 V DC
 - TV 530-R, ISO 5, 12 V DC

Accessories**DORMA TV-Z 510**

Mortice latch lock, fixed in door leaf for interfacing with the TV 50x.

- Forend 24 x 110 x 3
- Forend 24 x 110 x 3, Edges radiused
- Forend 28 x 110 x 3
- Forend 20 x 135 x 3

Flanged strike plate for TV 50x door locking mechanism.

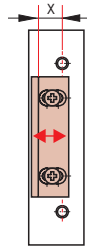
- | | |
|---|---|
| <input type="checkbox"/> FKM 505 25-200 | <input type="checkbox"/> FKM 506 25-200 |
| <input type="checkbox"/> FKM 505 28-200 | <input type="checkbox"/> FKM 506 28-200 |
| <input type="checkbox"/> FKR 505 25-210 | <input type="checkbox"/> FKR 506 25-210 |
| <input type="checkbox"/> FKR 505 27-200 | <input type="checkbox"/> FKR 506 27-200 |
| <input type="checkbox"/> FK 507 35-200 | <input type="checkbox"/> FK 508 35-200 |
| <input type="checkbox"/> FKR 507 35-200 | <input type="checkbox"/> FKR 508 35-200 |
| <input type="checkbox"/> FKR 507 37-200 | <input type="checkbox"/> FKR 508 37-200 |
| <input type="checkbox"/> FR 507 37-200 | <input type="checkbox"/> FR 508 37-200 |
| <input type="checkbox"/> FLM 530-L | <input type="checkbox"/> FLM 530-R |

Easy Adapt-TV500

Set to build up a latchguide TV500.
(see page 30)

| Electric Strikes Series | Electric Strikes Series | | | | | | | | | | | | | | |
|-----------------------------|-------------------------|-----------------|------------|--------------|-------------------|---------|---------|-------------|-------|-----------------|----------|----------------|---------|---------|--------|
| | Basic | Lucky Basic 448 | Basic-Safe | Basic-Radius | Basic-Radius Safe | DES 72x | DES 731 | Basic-Small | Smoke | Lucky Smoke 448 | Fire 447 | Lucky Fire 448 | DES 300 | DES 400 | TV 5xx |
| Electric strikes keeper | ● | ● | ● | ● | ● | - | - | ● | ● | ● | ● | ● | - | - | - |
| Easy Adapt | ● | ● | ● | - | - | - | - | - | ● | ● | ● | ● | - | - | - |
| Easy Adapt – TV 500 | - | - | - | - | - | - | - | - | - | - | - | - | - | - | ● |
| GL-Module (only DC variant) | - | ● | - | - | - | - | - | - | - | ● | - | ● | - | - | - |
| Strike Prep 447 | ● | ● | ● | - | - | - | - | - | ● | ● | ● | ● | - | - | - |
| RK | ● | ● | ● | ● | ● | ● | ● | ● | ● | ● | ● | ● | ● | ● | ● |
| TK 311 | ● | ● | ● | ● | ● | ● | ● | ● | ● | ● | ● | ● | ● | ● | ● |
| TK 304 | ● | ● | ● | ● | ● | ● | ● | ● | ● | ● | ● | ● | ● | ● | ● |
| TK 411 | ● | ● | ● | ● | ● | ● | ● | ● | ● | ● | ● | ● | ● | ● | ● |
| TK 404 | ● | ● | ● | ● | ● | ● | ● | ● | ● | ● | ● | ● | ● | ● | ● |

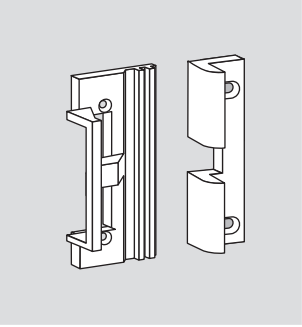
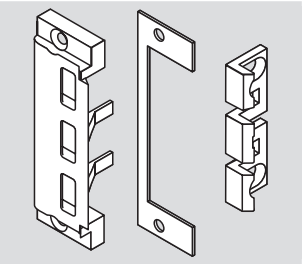
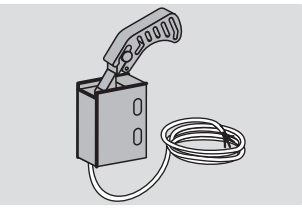
● = yes - = no





Electric strikes keeper

| | X = | Basic | Basic-Radius | Basic-Small | Basic-Small S | Smoke | Fire 447 | Order No. |
|-------------------------|---------------|-------|--------------|-------------|---------------|-------|----------|-------------|
| Basic-AE K50 | 5.7 – 9.7 mm | ○ | - | - | - | ○ | ○ | 16500000111 |
| Basic-AE K60 | 4.7 – 8.7 mm | ○ | - | - | - | - | - | 16500000112 |
| Basic-R K50 | 6.2 – 8.2 mm | - | ○ | - | - | - | - | 16500000114 |
| Basic-S K50 | 5.7 – 9.7 mm | - | - | ○ | - | - | - | 16500000113 |
| Basic-R K33 | 9.2 – 11.2 mm | - | ● | - | - | - | - | 15110506 |
| Basic-R K30 | 6.2 – 8.2 mm | - | ● | - | - | - | - | 15110406 |
| Basic-R K40 | 6.2 – 8.2 mm | - | ● | - | - | - | - | 15110606 |
| BasicK10 | 7.7 – 10.7 mm | ○ | - | - | - | - | - | 16500000115 |

● = Electric strike, complete Type E, 6–12 V AC/DC - = no ○ = Accessories, optional

| | Specification text | Order No. |
|---|--|-----------|
|  | <p>Easy Adapt Electric strike casing cover with latch guide for upgrading DORMA electric strikes as latch-guided units. Suitable for electric strikes of the series Basic, Basic-Safe, Smoke and Fire 447 and the functional versions "Mechanical deactivation" and "Monitoring contact". Tolerance compensation is effected using the adjustable latch of the electric strike.</p> <p>Integrated cable conduit for fixing the connection wires to the casing cover with the aid of an adhesive strip included in the pack.</p> <p>Dimensions: approx. 3.6 x 76 x 31.6 mm</p> | 15198010 |
|  | <p>Easy Adapt-TV500 Electric strike casing cover with latch guide for upgrading TV500 as latch-guided units. Suitable for TV500, TV510, TV520. Tolerance compensation is effected using the adjustable latch of the TV500.</p> <p>For use LH and RH.</p> <p>Dimensions: approx. 68 x 20 x 10mm</p> | 15198011 |
|  | <p>GL Module Rectifiers - Module for use with an DC voltage electric strike in combination with AC voltage</p> <p>Input - voltage: 12V – 24 V AC output - voltage: 12V – 24 V DC Current: max. 700mA</p> | 15199001 |
|  | <p>Strike Prep 447 Dummy electric strike. Symmetrical insert for preparation of installation and subsequent retrofitting of electric strikes.</p> <p>With adjustable latch, non-handed, suitable for both over-rebated and flush-closing doors.</p> <p>Dimensions: 76 x 20 x 18.5 mm</p> | 15147000 |
|  | <p>RK bolt locking contact VDS class C no. G 193 082 with a potential free change-over contact for monitoring of the door locking.</p> <p>Degree of protection: IP 68 Connection cable: 4 m LIYY 3 x 0.14 mm², Switching power: 30 V DC, 200 mA</p> | 15198000 |

| | Specification text | Order No. |
|--|--|---|
|  | <p>TK 311 / TK 411 Electromechanical door contact for monitoring the opening of doors. The spring-mounted ball is operated mechanically when the door is closed and thus ensures that the contact operates very reliably. Floating (no-volt) changeover contact, incl. 4 m connection cable (TK 411 only) Contact rating: 5 A/30 V Colour: white Forend dimensions (W x H x D): approx. 22.5 x 42 mm Dimensions of base section (O x D): approx. 20 x 25 mm</p> <p><input type="checkbox"/> TK 311 square forend <input type="checkbox"/> TK 311-R rounded edges</p> <p><input type="checkbox"/> TV 411 square forend, 4m connection cable included <input type="checkbox"/> TV 411-R rounded edges, 4m connection cable included</p> | <p>15198311 15198321 15198411 15198421</p> |
|  | <p>TK 304 / TK 404 Electromechanical door contact for monitoring the opening of doors. The spring-mounted ball is operated mechanically when the door is closed and thus ensures that the contact operates very reliably. You may adjust the contact inside the forend (adjustment range: 13 mm) Floating (no-volt) changeover contact, incl. 4 m connection cable (TK 404 only) Contact rating: 5 A/30 V Colour: metal-coloured Forend dimensions (W x H x D): approx. 23 x 42 mm Dimensions of base section (O x D): approx. 18 x 33 mm</p> <p><input type="checkbox"/> TK 304 square forend <input type="checkbox"/> TK 404 square forend, 4m connection cable included</p> | <p>15198304 15198404</p> |

ES SERIES ELECTRIC STRIKES

The ES Series electric strikes ensure door security in private, public and commercial premises, are suitable for use with many different locks and door types and are available in all conventional operating voltages. Whether for standard doors, fire and smoke check doors or for doors in emergency and escape routes, you will be able to find the right model to match your particular requirements - all quality - assured by DORMA.

ES61 Electric Strike

The architecturally attractive ES61 features a hazard-free radius design. This stainless steel strike is designed especially to

operate with rim exit devices and accommodates hollow metal, aluminum and wood doors.

ES62 Electric Strike

This rim electric strike is completely surface mounted, eliminating frame cutting. The one piece conventional keeper design promotes even load distribution in the event of attempted forced entry.

ES62F Electric Strike

Designed especially to operate with rim exit devices, this 3-hour fire rated, rugged stainless steel strike accommodates hollow metal, aluminum, and wood doors.

ES72F Electric Strike

Designed for heavy-duty applications requiring fire-rated electric strikes this unique anti-vibration design prevents manipulation by vibration. The ES72F is reliable, durable and economical.

ES74F & ES79F Electric Strikes

Ideal for fire-rated and heavy-duty applications these strikes are designed features a saddle-mounted housing, and a tamper-resistant guard for increased strength and durability.

ES84 & ES86 Electric Strike

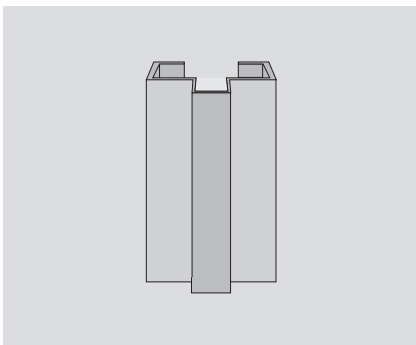
All-In-One centerline latch entry electric strike provides standard

features that include a multi voltage single solenoid, selectable lock mode, horizontal adjustment, and plug-in wire connectors. Installation is fast and easy and distributors can cut their strike inventory because this one strike does it all.

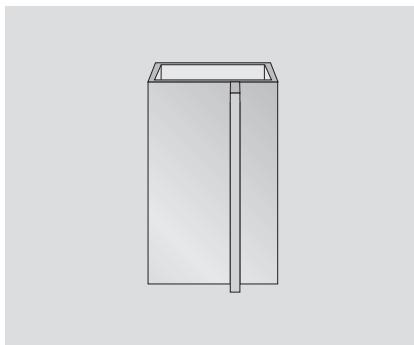
ES96F Electric Strike

Fire-rated offset and centerline latch entry electric strike combines strength and convenience in an attractive design.

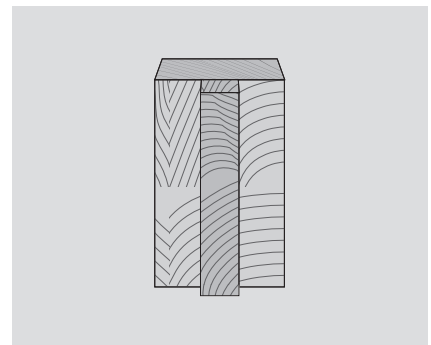
Door Frame Type



Hollow Metal

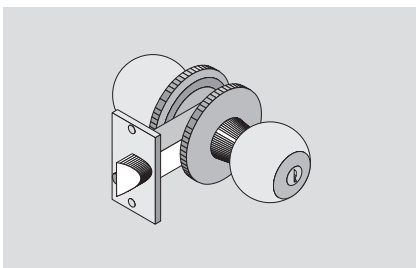


Aluminum

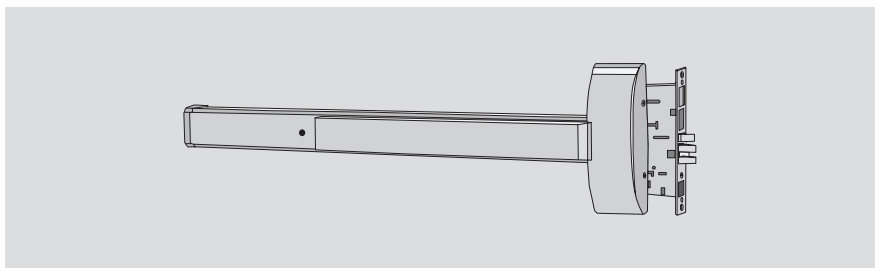


Wood

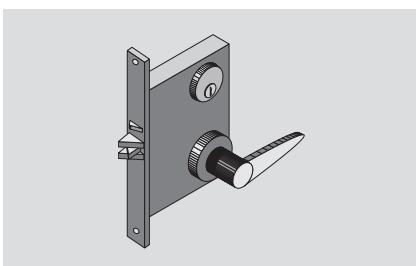
Door Lock Type



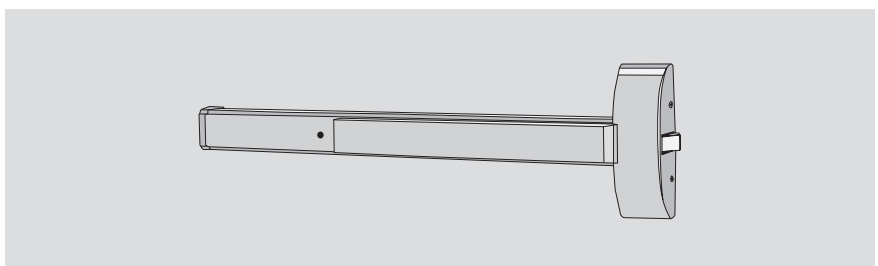
Cylindrical



Mortise Exit Device



Mortise



Rim Exit Device

| Data and features | | | | | | | | | |
|--|-------|-------|--------|--------|-------|-------|------|-------|--------|
| | ES 61 | ES 62 | ES 62F | ES 72F | ES74F | ES79F | ES84 | ES 86 | ES 96F |
| Functions | | | | | | | | | |
| Surface mounted | – | ● | ● | – | – | – | – | – | – |
| Non handed | ● | ● | ● | ● | ● | ● | ● | ● | ● |
| Fail secure | ● | ● | ● | ● | ● | ● | – | – | ● |
| Fail safe / fail secure Field selectable | – | – | – | – | – | – | ● | ● | – |
| Monitor switch | – | – | – | – | – | – | ○ | ○ | – |
| Door lock type | | | | | | | | | |
| Cylindrical | – | – | – | ● | ● | ● | ● | – | ● |
| Mortice | – | – | – | ● | ● | ● | – | ● | ● |
| Mortice exit device | – | – | – | ● | ● | ● | – | ● | ● |
| Rim exit device | ● | ● | ● | – | – | – | – | – | – |
| Door frame type | | | | | | | | | |
| Hollow metal | ● | ● | ● | ● | ● | ● | ● | ● | ● |
| Aluminium | ● | ● | ● | ● | ● | ● | ● | – | ● |
| Wood | ● | ● | ● | – | – | ● | ● | ● | ● |
| Voltage | | | | | | | | | |
| 12V ac/dc | ● | – | – | ● | ● | ● | ● | ● | ● |
| 24V ac/dc | ● | – | – | ● | ● | ● | ● | ● | ● |
| 12V / 24v field selectable | – | ● | ● | – | – | – | – | – | – |
| Listing | | | | | | | | | |
| Ansi / bhma 156.31 Grade 1 pending | ● | ● | ● | ● | ● | ● | ● | ● | ● |
| UL/cul listing | ● | ● | ● | ● | ● | ● | ● | ● | ● |
| Fire rated | – | – | ● | ● | ● | ● | – | – | ● |

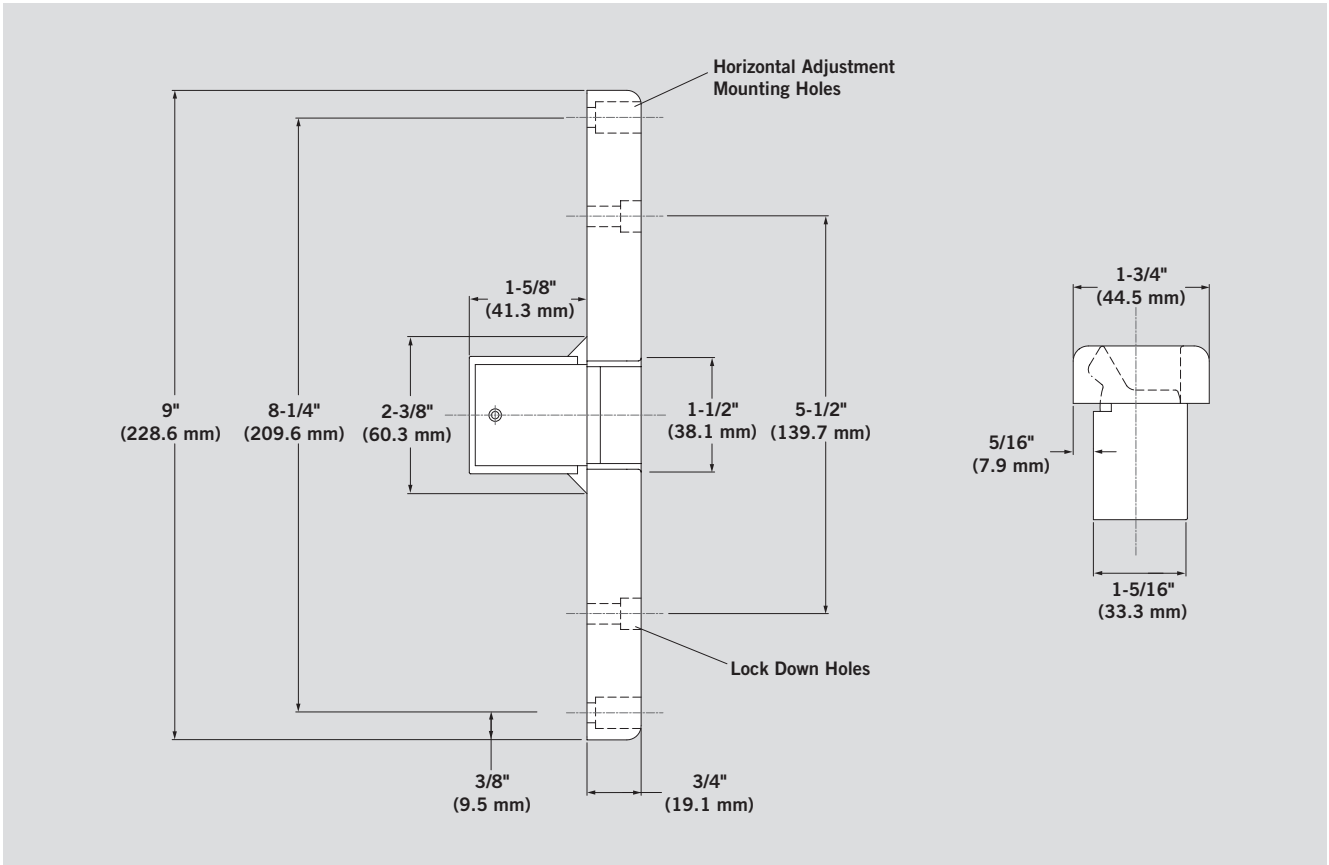
● = yes – = no ○ = option

| Series | Mode | Operating voltage | Duty | Sound | Amps | Ohms |
|-------------------|------------------|-------------------|--------------|--------|--------|-------|
| ES 61 F | Fail secure | 12 V AC | Intermittent | Buzz | 150 mA | 61 Ω |
| | | 12 V DC | Continuous | Silent | 200 mA | 61 Ω |
| | | 24 V AC | Intermittent | Buzz | 70 mA | 215 Ω |
| | | 24 V DC | Continuous | Silent | 110 mA | 215 Ω |
| ES 62 / ES 62 F | Fail secure | 12 V AC | Intermittent | Buzz | 330 mA | 22 Ω |
| | | 12 V DC | Continuous | Silent | 500 mA | 22 Ω |
| | | 24 V AC | Intermittent | Buzz | 640 mA | 22 Ω |
| | | 24 V DC | Continuous | Silent | 240 mA | 89 Ω |
| | | 11 V AC | Intermittent | Buzz | 320 mA | 22 Ω |
| ES 72 F | Fail secure | 12 V AC | Intermittent | Buzz | 150 mA | 61 Ω |
| | | 12 V DC | Continuous | Silent | 200 mA | 61 Ω |
| | | 24 V AC | Intermittent | Buzz | 70 mA | 215 Ω |
| | | 24 V DC | Continuous | Silent | 110 mA | 215 Ω |
| ES 74 F / ES 79 F | Fail secure | 12 V AC | Intermittent | Buzz | 280 mA | 37 Ω |
| | | 12 V DC | Continuous | Silent | 375 mA | 37 Ω |
| | | 24 V AC | Intermittent | Buzz | 565 mA | 37 Ω |
| | | 24 V DC | Continuous | Silent | 190 mA | 148 Ω |
| ES 84 F / ES 86 | Fail secure | 12 V AC | Intermittent | Buzz | 280 mA | 37 Ω |
| | Field selectable | 12 V DC | Continuous | Silent | 375 mA | 37 Ω |
| | Fail secure | 24 V AC | Intermittent | Buzz | 565 mA | 37 Ω |
| | Field selectable | 24 V DC | Continuous | Silent | 190 mA | 148 Ω |
| ES 96 F | Fail secure | 12 V AC | Intermittent | Buzz | 280 mA | 37 Ω |
| | | 12 V DC | Continuous | Silent | 375 mA | 37 Ω |
| | | 24 V AC | Intermittent | Buzz | 565 mA | 37 Ω |
| | | 24 V DC | Continuous | Silent | 190 mA | 148 Ω |

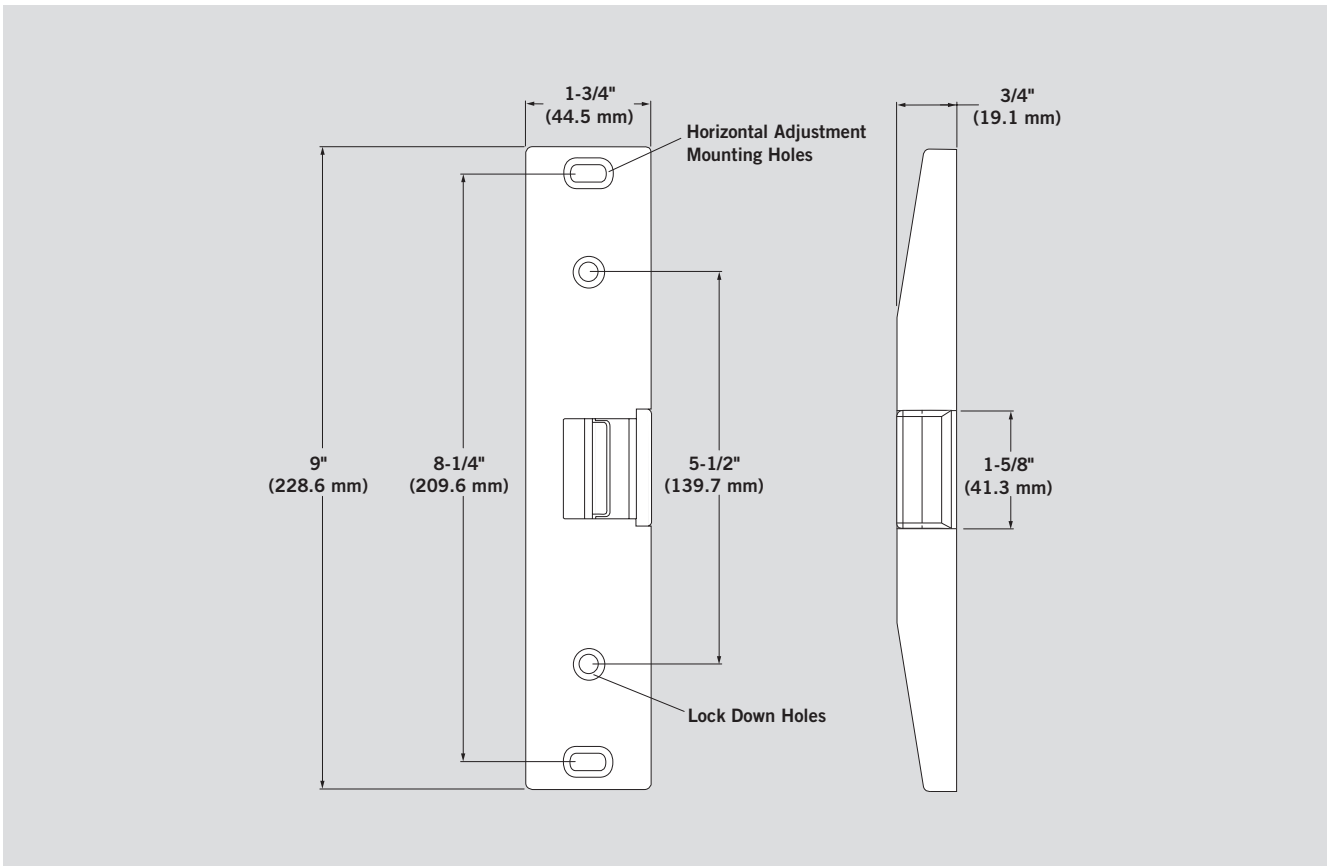
* Intermittent duty = energized less than 1 minute with duty ratio 1:5

Continuous duty = energized 1 minute or more

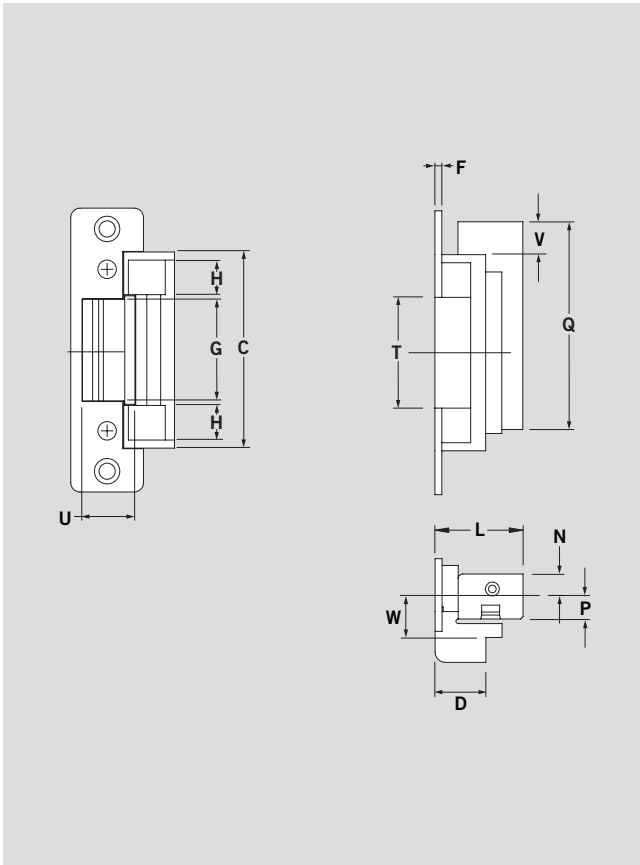
ES 61



ES 62 / ES 62 F

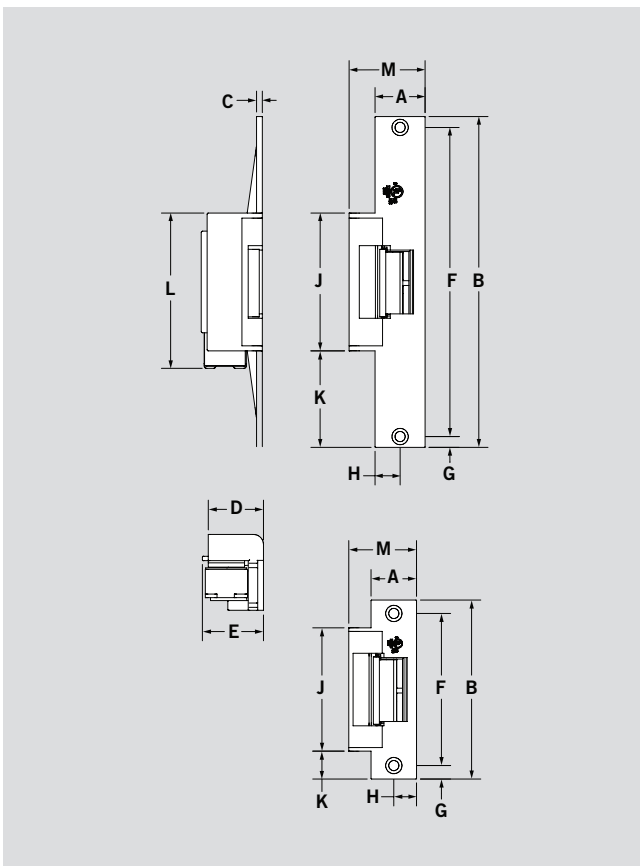


ES 72F



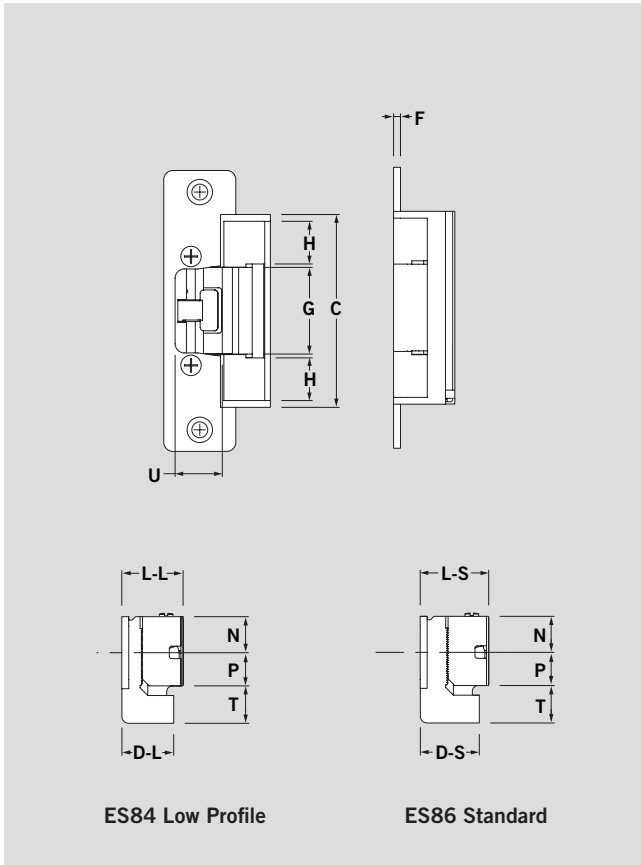
| Dimensions | ES72F |
|------------|------------------|
| C | 3-3/8" (85.7 mm) |
| D | 7/8" (22.2 mm) |
| F | 1/8" (3.2 mm) |
| G | 1-3/4" (44.5 mm) |
| H | 9/16" (14.3 mm) |
| L | 1-1/2" (38.1 mm) |
| N | 13/32" (10.3 mm) |
| P | 13/32" (10.3 mm) |
| Q | 3-5/8" (92.1 mm) |
| T | 1-7/8" (47.6 mm) |
| U | 15/16" (23.8 mm) |
| V | 17/32" (13.5 mm) |
| W | 3/4" (19.1 mm) |

ES74F / ES79F



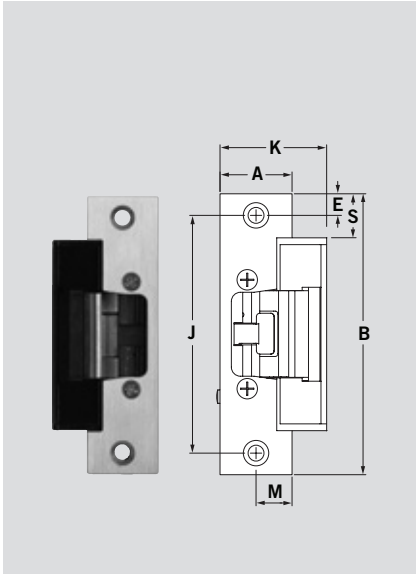
| Dimensions | ES74F | ES79F |
|------------|--------------------|--------------------|
| A | 1-1/4" (31.3 mm) | 1-3/8" (34.9 mm) |
| B | 4-7/8" (123.3 mm) | 9" (228.6 mm) |
| C | 1/8" (3.2 mm) | 3/16" (4.8 mm) |
| D | 1-1/2" (38.1 mm) | 1-1/2" (38.1 mm) |
| E | 1-5/8" (41.3 mm) | 1-5/8" (41.3 mm) |
| F | 4-1/8" (104.8 mm) | 8-3/8" (212.7 mm) |
| G | 3/8" (9.5 mm) | 5/16" (7.9 mm) |
| H | 5/8" (15.9 mm) | 11/16" (17.5 mm) |
| J | 3-3/8" (85.7 mm) | 3-3/4" (95.3 mm) |
| K | 3/4" (19.1 mm) | 2-5/8" (66.7 mm) |
| L | 4" (101.6 mm) | 4-3/16" (106.3 mm) |
| M | 1-13/16" (46.0 mm) | 2-1/16" (52.4 mm) |

ES 84 / ES 86

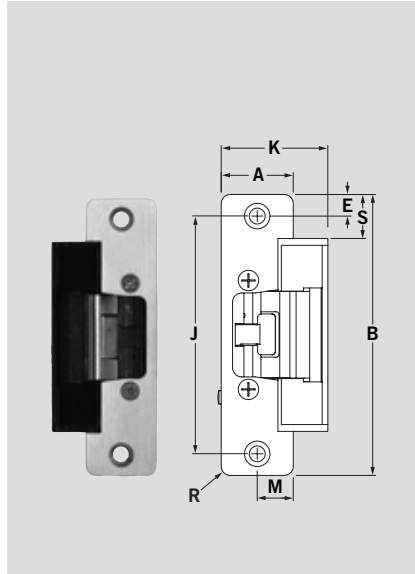


| Dimensions | ES84 | ES86 |
|------------|--|--|
| C | 3-11/32" (84.9 mm) | 3-11/32" (84.9 mm) |
| D-S | N/A | 1-5/32" (29.4 mm) |
| D-L | 1-1/16" (27 mm) | N/A |
| F | 1/8" (3.2 mm) | 1/8" (3.2 mm) |
| G | 1-1/2" (38.0 mm) | 1-1/2" (38.1 mm) |
| H | 47/64" (18.7 mm) | 47/64" (18.7 mm) |
| L-S | N/A | 1-3/16" (30.2 mm) |
| L-L | 1-1/16" (27 mm) | N/A |
| N | 5/8" (15.9 mm) | 5/8" (15.9 mm) |
| P | 37/64" (14.7 mm) | 37/64" (14.7 mm) |
| T | Default 21/32" (16.7 mm) Min 1/2" (12.7 mm) Max 49/64" (19.5 mm) | Default 21/32" (16.7 mm) Min 1/2" (12.7 mm) Max 49/64" (19.5 mm) |
| U | Default 13/16" (20.6 mm) Min 45/64" (17.9 mm) Max 31/32" (24.6 mm) | Default 13/16" (20.6 mm) Min 45/64" (17.9 mm) Max 31/32" (24.6 mm) |

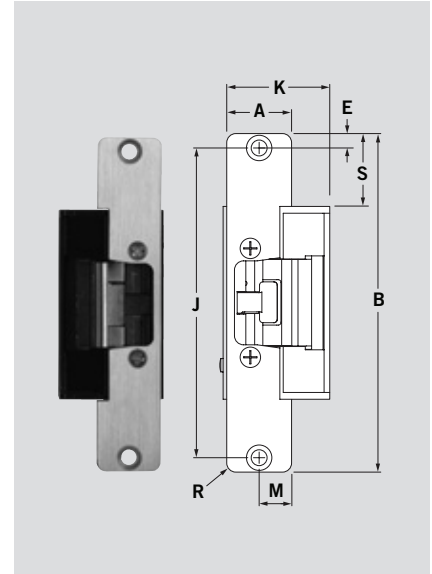
Strike Plate Options (ES86 shown)



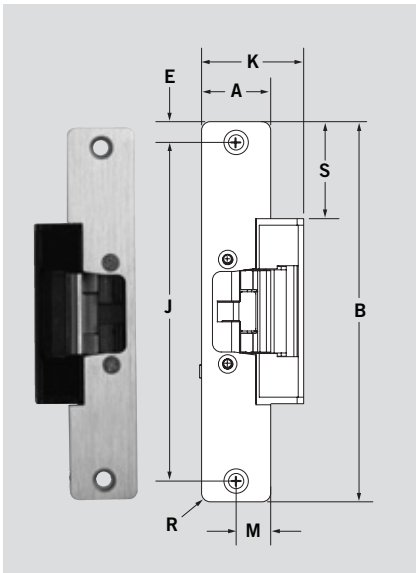
S4S Hollow Metal Strike Plate



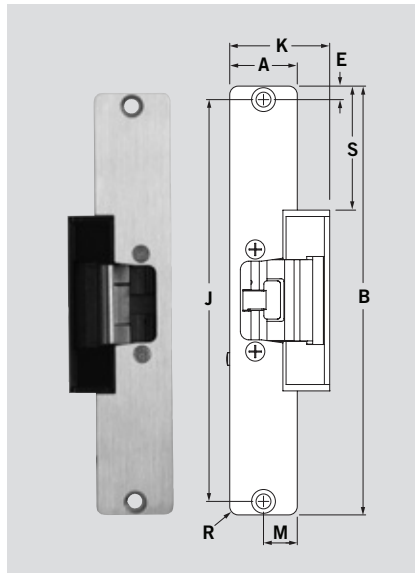
S4 Aluminum Strike Plate



S5 Aluminum or Wood Strike Plate



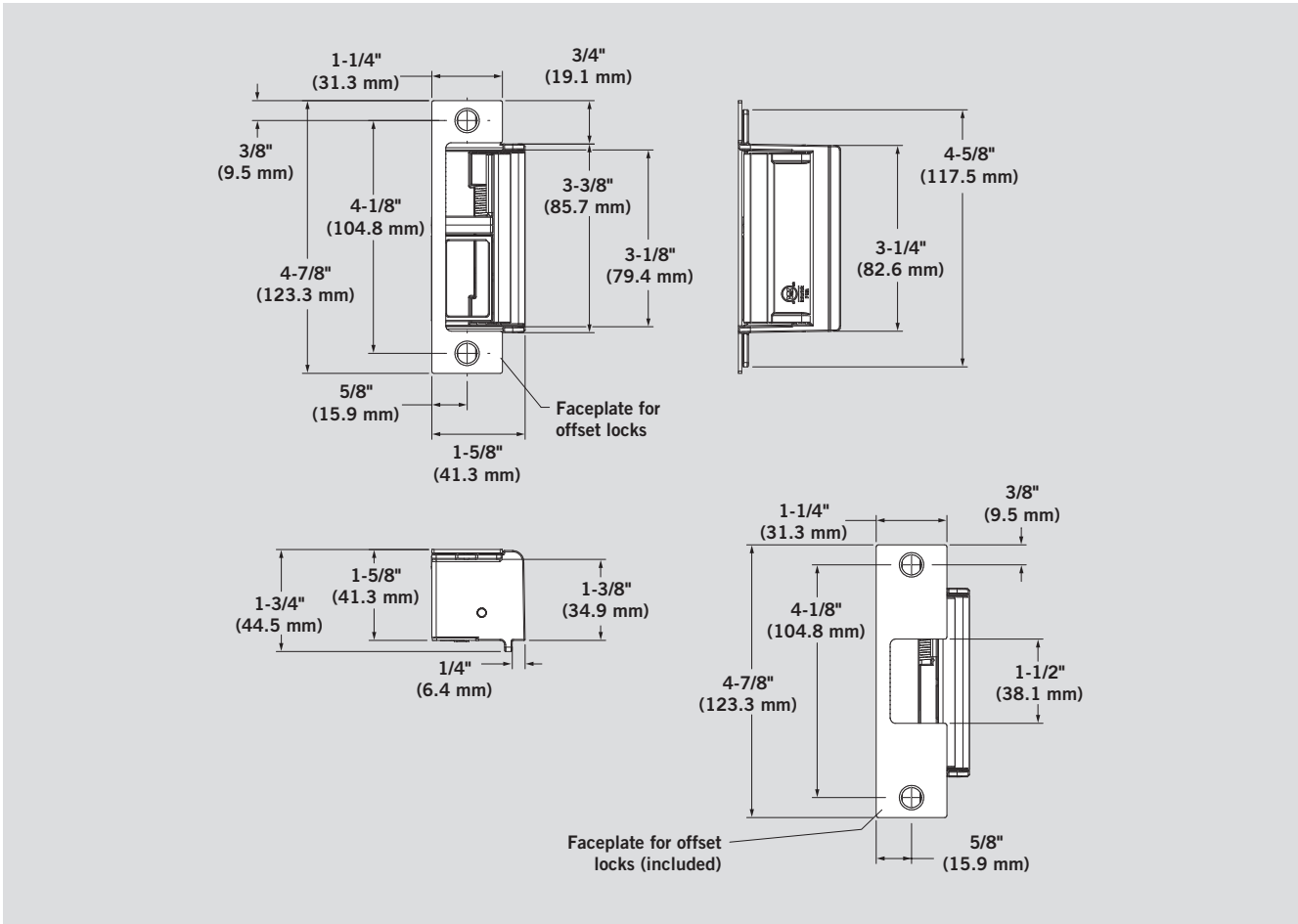
S6 Aluminum or Wood Strike Plate



S7 Aluminum or Wood Strike Plate

| Dimensions | S4S | S4 | S5 | S6 | S7 |
|------------|--------------------|--------------------|--------------------|--------------------|---------------------|
| A | 1-1/4" (31.8 mm) | 1-1/4" (31.8 mm) | 1-1/8" (28.6 mm) | 1-1/4" (31.8 mm) | 1-7/16" (36.5 mm) |
| B | 4-7/8" (123.8 mm) | 4-7/8" (123.8 mm) | 5-7/8" (149.2 mm) | 6-7/8" (174.6 mm) | 7-15/16" (201.6 mm) |
| E | 3/8" (9.5 mm) | 3/8" (9.5 mm) | 1/4" (6.4 mm) | 3/8" (9.5 mm) | 1/4" (6.4 mm) |
| J | 4-1/8" (104.8 mm) | 4-1/8" (104.8 mm) | 5-3/8" (136.5 mm) | 6-1/8" (155.6 mm) | 7-7/16" (188.9 mm) |
| K | 1-27/32" (46.8 mm) | 1-27/32" (46.8 mm) | 1-25/32" (45.3 mm) | 1-51/64" (45.6 mm) | 1-15/16" (49.26 mm) |
| M | 5/8" (15.9 mm) | 5/8" (15.9 mm) | 35/64" (13.9 mm) | 5/8" (15.9 mm) | 23/32" (18.3 mm) |
| R | N/A | 5/32" (4 mm) | 5/32" (4 mm) | 5/32" (4 mm) | 5/32" (4 mm) |
| S | 49/64" (19.5 mm) | 49/64" (19.5 mm) | 1-17/64" (32.2 mm) | 1-49/64" (44.9 mm) | 2-9/32" (57.9 mm) |

ES 96F



ES61



The architecturally attractive ES61 electric strikes feature a hazard-free radius design.

This stainless steel strike is designed especially to operate with rim exit devices and accommodates hollow metal, aluminum, and wood doors. Slotted horizontal holes on the ES61 faceplate allow correct alignment with the exit device

before final installation. Locking socket Allen head cap screws prevent loosening and misalignment which can occur with continual door usage. Crossed wires are never a problem, as the coil is not polarity-conscious.

Solutions

- 1000 lb (455 kg) holding force
- Accommodates rim exit devices with pullman latch projections from 1/2" to 3/4" (12.7 mm to 19.1 mm)
- The 1-5/8" deep electrical insert* may be horizontally adjusted after final installation to correct door misalignments without altering the original faceplate location
- AC or DC input acceptable to all models
- Non-handed
- 630 stainless steel finish

Listings & Approvals

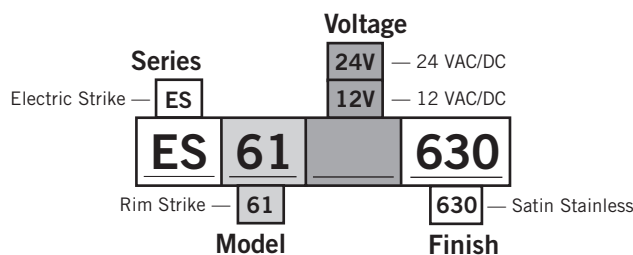
- UL/CUL listed under their continuing reinspection programs and conforms to standards UL 1034 and CVXY for burglary resistant electric door strikes
- ANSI/BHMA 156.31, Grade 1 pending
- CSFM pending
- Contributes to U.S. Green Building Council, LEED® MR Credits 2.1, 4.1, 4.2, and 5.1

Options & Accessories

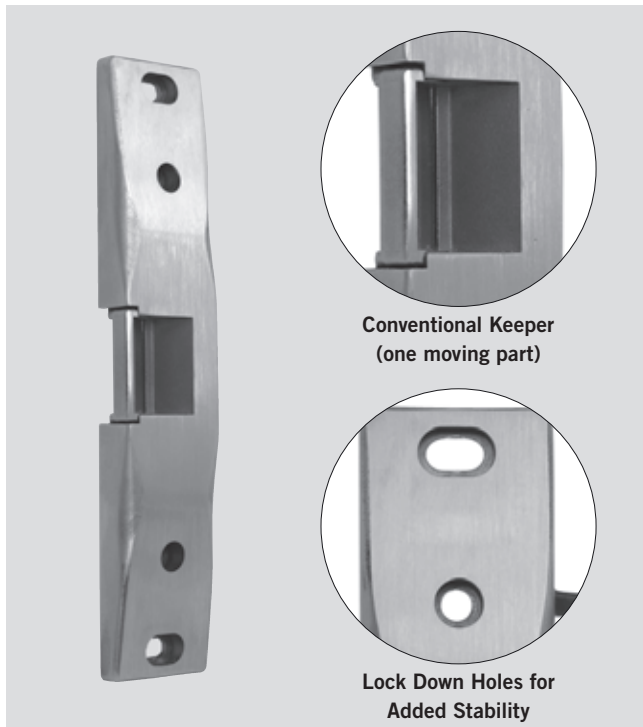
- **61DPH**
Double door housing

*A minimum frame depth of 1-5/8" for surface-mounted installations.

How to Order ES61 Series



ES62, ES62F



The ES62 / ES62F rim electric strikes are completely surface mounted, eliminating frame cutting.

Designed especially to operate with rim exit devices, this rugged stainless steel strike accommodates hollow metal, aluminum, and wood doors. The one piece conventional keeper design promotes even load distribution in the event of

attempted forced entry. The heavy-duty housing of the ES62F is reinforced to eliminate twisting in the case of imperfect frames. The smooth radiused corners are esthetically pleasing, while reducing personal injury due to catch hazards.

Solutions

- 1500 lb (680 kg) holding force
- No frame cutting required – surface mounted
- Conventional keeper design – promotes even load distribution
- Higher grade stainless steel ensures superior keeper strength
- Compatible with most exit devices
- Accommodates exit devices with latch projections from 1/2" to 3/4" (12.7 mm to 19.1 mm)
- Ensures proper latch alignment with horizontal adjustment up to 1/4" (6.4 mm) to compensate for door misalignments
- Field selectable voltage input – 12 or 24 V DC, 12 to 24 V AC, 11 to 16 V AC
- Horizontal solenoid prevents manipulation from the vibration
- Modular plug-in wire connectors for fast hook-up
- 630 stainless steel finish
- Non-handed

- Allen head cap screws for added support and tamper-resistance
- Mounting spacer include to provide enhance to latch engagement

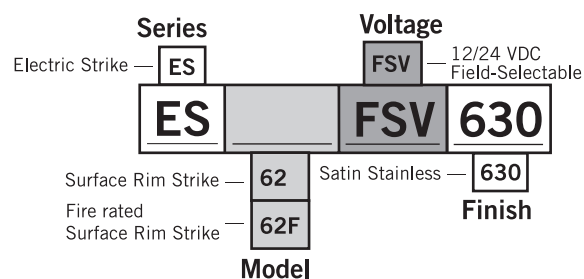
Listings & Approvals

- UL/CUL listed under their continuing reinspection programs and conforms to standards UL 1034 and CVXY for burglary resistant electric door strikes.
- ES62F conforms to UL10C GXAY for positive pressure fire testing, 3 hour rated
- ANSI/BHMA 156.31, Grade 1 pending
- CSFM pending
- Contributes to U.S. Green Building Council, LEED® MR Credits 2.1, 4.1, 4.2, and 5.1

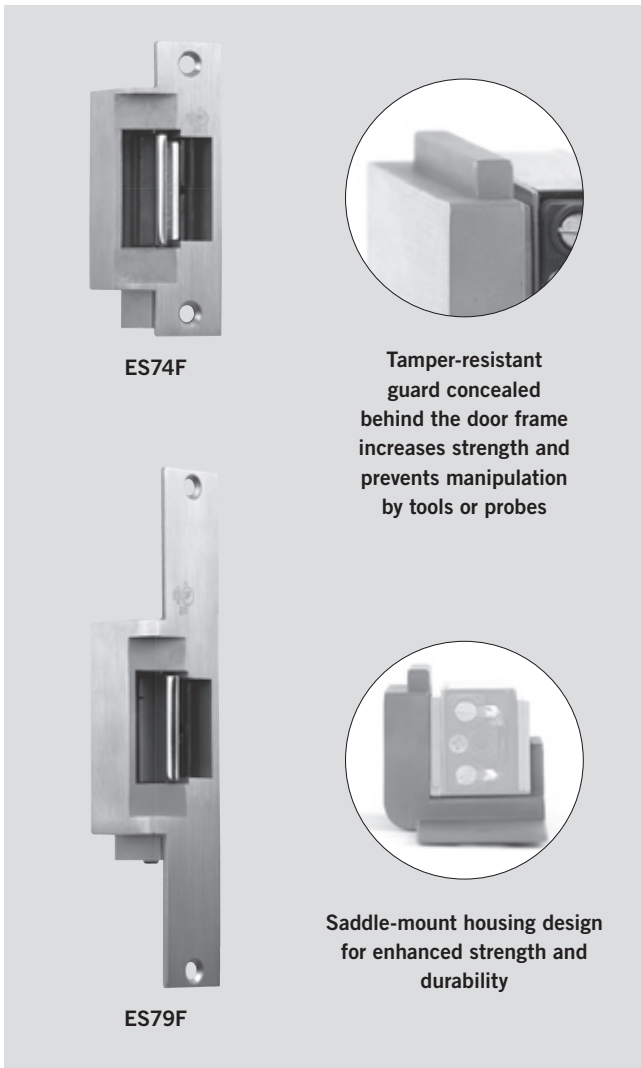
Options & Accessories

- **62DPH**
Double door housing
- **MSK62**
Mounting spacer kit
1/16" (1.5 mm)
(Additional spacer included)

How to Order ES62 Series



ES74F, ES79F



ES74F

Tamper-resistant guard concealed behind the door frame increases strength and prevents manipulation by tools or probes

ES79F

Saddle-mount housing design for enhanced strength and durability

The ES74F & ES79F electric strikes are ideal for fire-rated or heavy-duty applications.

The ES74F and ES79F electric strikes are designed with a unique built-in anti-vibration feature, a saddle-mounted housing, and a tamper-resistant

guard for increased strength and durability. Crossed wires are never a problem, as the coil is not polarity-conscious.

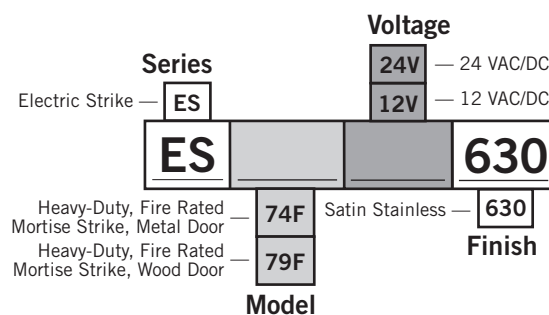
Solutions

- 1500 lb (680 kg) holding force
- Accommodates 1/2" (12.7 mm), 5/8" (15.9 mm), or 3/4" (19.1 mm) latch projection (pullman design not included)
- Horizontal adjustment (up to 1/4" or 6.4 mm) relieves side-load pressure, ensuring proper latch alignment
- Saddle-mount housing design for enhanced strength and durability
- Unique anti-vibration design prevents manipulation
- Tamper-resistant guard concealed behind the door frame increases strength and prevents manipulation by tool attack
- Heavy-duty solid cast stainless steel housing design
- Energy efficient coil design
- Dual monitor switch (optional)
- Modular plug-in wire connectors for fast hook-up
- Internally mounted solenoid for easier installation
- Non-handed
- Standard mounting tabs, shims, and fasteners included
- 630 stainless steel finish

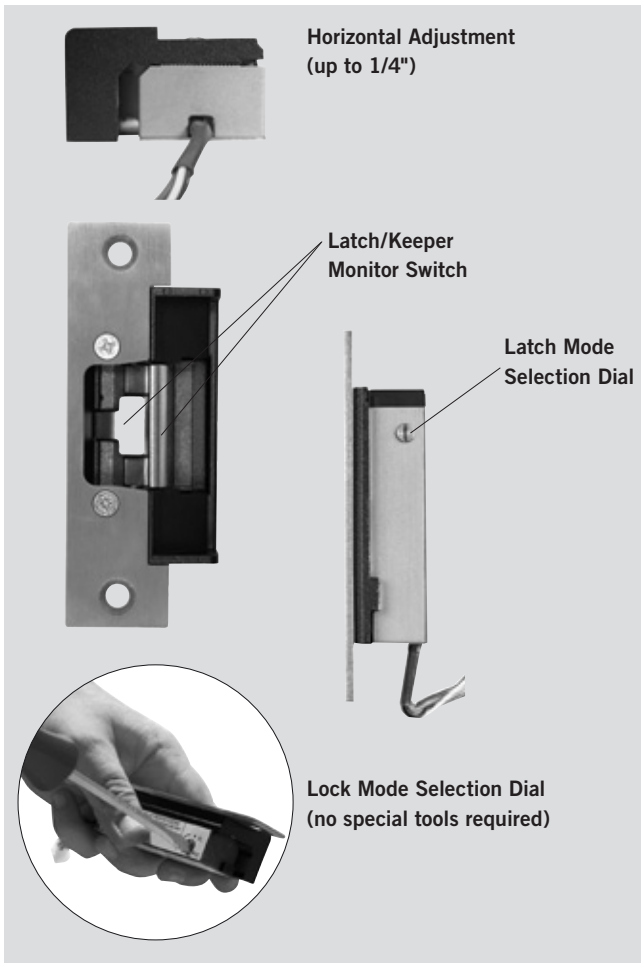
Listings & Approvals

- UL/CUL listed under their continuing reinspection programs and conforms to standards UL 1034 and CVXY for burglary resistant electric door strikes, UL10C GXAY for positive pressure fire testing, 3 hour rated
- ANSI/BHMA 156.31, Grade 1 pending
- CSFM pending
- Contributes to U.S. Green Building Council, LEED® MR Credits 2.1 4.1, 4.2, and 5.1

How to Order ES74F/ES79F Series



ES84, ES86



The EES84 & ES86 all-in-one centerline latch entry electric strikes combine several requested key features.

Standard features include a multi voltage single solenoid, selectable lock mode (no tools necessary), horizontal adjustment, and plug-in wire connectors. An optional monitor switch is also available. The ES84 low profile version accepts 1/2" or 5/8" latch projection (perfect for narrow

stile aluminum frames).

The ES86 standard version is ideal when you require 3/4" latch projection.

Not only will installations be faster and easier, distributors and installers can cut their strike inventory significantly, because one strike does it all.

Solutions

- 1500 lb (680 kg) holding force
- Field selectable lock mode – choose fail secured or fail safe with the turn of a dial (fail safe mode requires DC voltage)
- Field selectable voltage input – accommodates 12 or 24 V DC and 12 to 24 V AC (even 16 V AC) in one strike
- 1/4" horizontal adjustment
- Dual monitor switch (optional)
- Modular plug-in wire connectors for fast hook-up
- Modular faceplate designs for a variety of frame types and cut outs
- 1-3/16" (ES86), 1-1/16" (ES84) frame depth
- Universal strike kit includes 3 faceplates – S4, S4S, S7
- 630 stainless steel faceplate
- Non-handed
- Trim plate included

Listings & Approvals

- UL/CUL listed under their continuing reinspection programs and conforms to standards UL 1034 and CVXY for burglary resistant electric door strikes
- ANSI/BHMA 156.31, Grade 1 pending
- CSFM pending
- Contributes to U.S. Green Building Council, LEED® MR Credits 2.1, 4.1, 4.2, and 5.1

Options & Accessories

- **LKM**
Latch/keeper monitor switch (status)
- **84LE1/2/3 & 86LE1/2/3**
Low or standard profile lip extension kit for retrofit (specify 1, 2, 3)
- **84JIG/86JIG**
Low or standard profile frame prep jig
- **84HK/86HK**
Standard strike mounting hardware kit
- **86LG**
High profile latch guard
- **84TPS**
Low profile trim plate, 5 pack
- **86TPS**
Standard profile trim plate, 5 pack

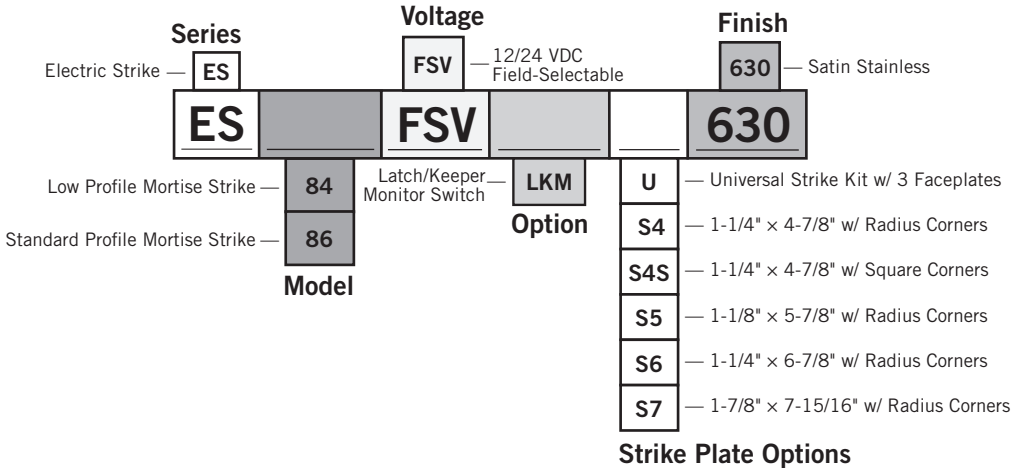


ES86U standard profile & ES84U low profile with universal strike kit

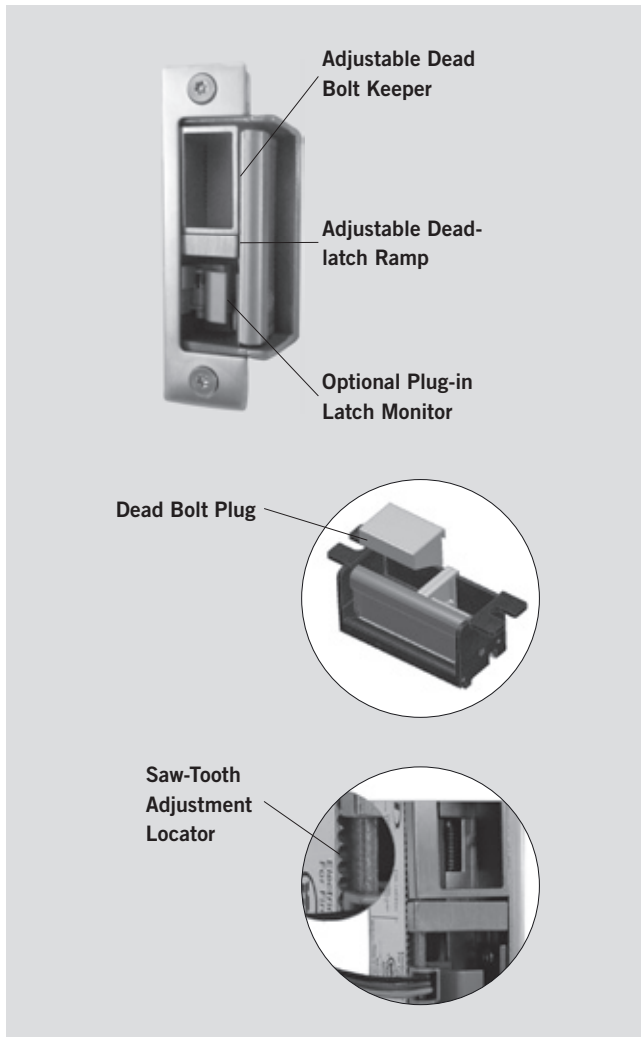
Includes 3 faceplates

- **S4**
1-1/4" × 4-7/8" ANSI round corner (aluminum frames)
- **S4S**
1-1/4" × 4-7/8" ANSI square corner (hollow metal frames)
- **S7**
1-7/16" × 7-15/16" ANSI round corner (aluminum or wood frames)

How to Order ES84/ES86 Series



ES96F



The ES96F fire-rated offset and centerline latch entry electric strike combines strength and convenience in an attractive design.

The unique saw-tooth adjustment locator design of the ES96F allows the installer to move the dead bolt keeper, or plug and deadlatch ramp vertically to align with a wide variety of mortise locks with offset latches. There is no need to order special faceplates – the strike can be adjusted to work with any mortise lock. Everything needed is in the box, including a separate faceplate for centerline latch entry.

For easy installation, the strike's shim design adjusts vertically on the keeper to align with any latch location, providing up to 1/8" horizontal adjustment. Also included are a trim plate for inconsistent frame cuts, a hands-free adhesive backed template, and all the needed drivers to install the strike. The plug-in latch monitor switch option can be added in the field if monitoring is specified after installation.

Solutions

- 1500 lb (680 kg) holding force
- Modular design allows compatibility with most locks without having to order special faceplates
- Adjustable dead bolt keeper and deadlatch ramp
- Accommodates 3/4" (19.1 mm) latch projection
- Horizontal adjustment (up to 1/4" or 6.4 mm) relieves side-load pressure, ensuring proper latch alignment
- Faceplate included for centerline latch entry
- Unique sliding shim design for up to 1/8" (3.2 mm) horizontal adjustment for misaligned frames
- Vertical adjustability of strike for precise positioning of lockset
- Accommodates up to 1" dead bolt*
- Field-selectable voltage input—12 or 24 V DC or 12–24 V AC
- Anti-tamper security screws
- All installation drivers included
- Optional latch monitor kit
- Low current draw (0.19 A/24 V DC)
- Plug-in wire connector
- Trim plate included
- Non-handed
- 630 stainless steel finish

Listings & Approvals

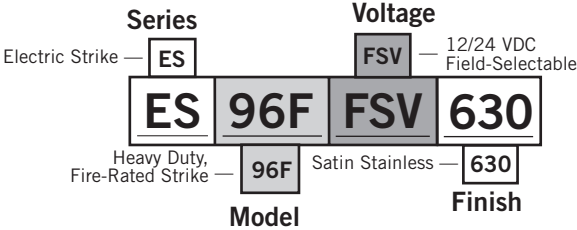
- UL/CUL listed under their continuing reinspection programs and conforms to standards UL 1034 and CVXY for burglary resistant electric door strikes, UL10C GXAY for positive pressure fire testing, 3 hour rated
- ANSI/BHMA 156.31, Grade 1 pending
- CSFM pending
- Contributes to U.S. Green Building Council, LEED® MR Credits 2.1, 4.1, 4.2, and 5.1

Options & Accessories

- **96LM**
Latch monitor kit with SPDT switch, can be mounted anywhere in strike cavity to correspond to latch position, rated 2 A/24 V DC

* Night-latch function only, bolt will not release.

How to Order ES96F Series





DORMA GmbH+Co. KG
DORMA Platz 1
58256 ENNEPETAL
GERMANY
Phone +49 2333 793-0
Fax +49 2333 793-4950
www.dorma.com

DORMA Americas
DORMA Drive, Drawer AC
Reamstown, PA 17567-0411
Phone (800) 523-8483
Fax (800) 274-9724
E-mail archdw@dorma-usa.com
www.dorma-usa.com