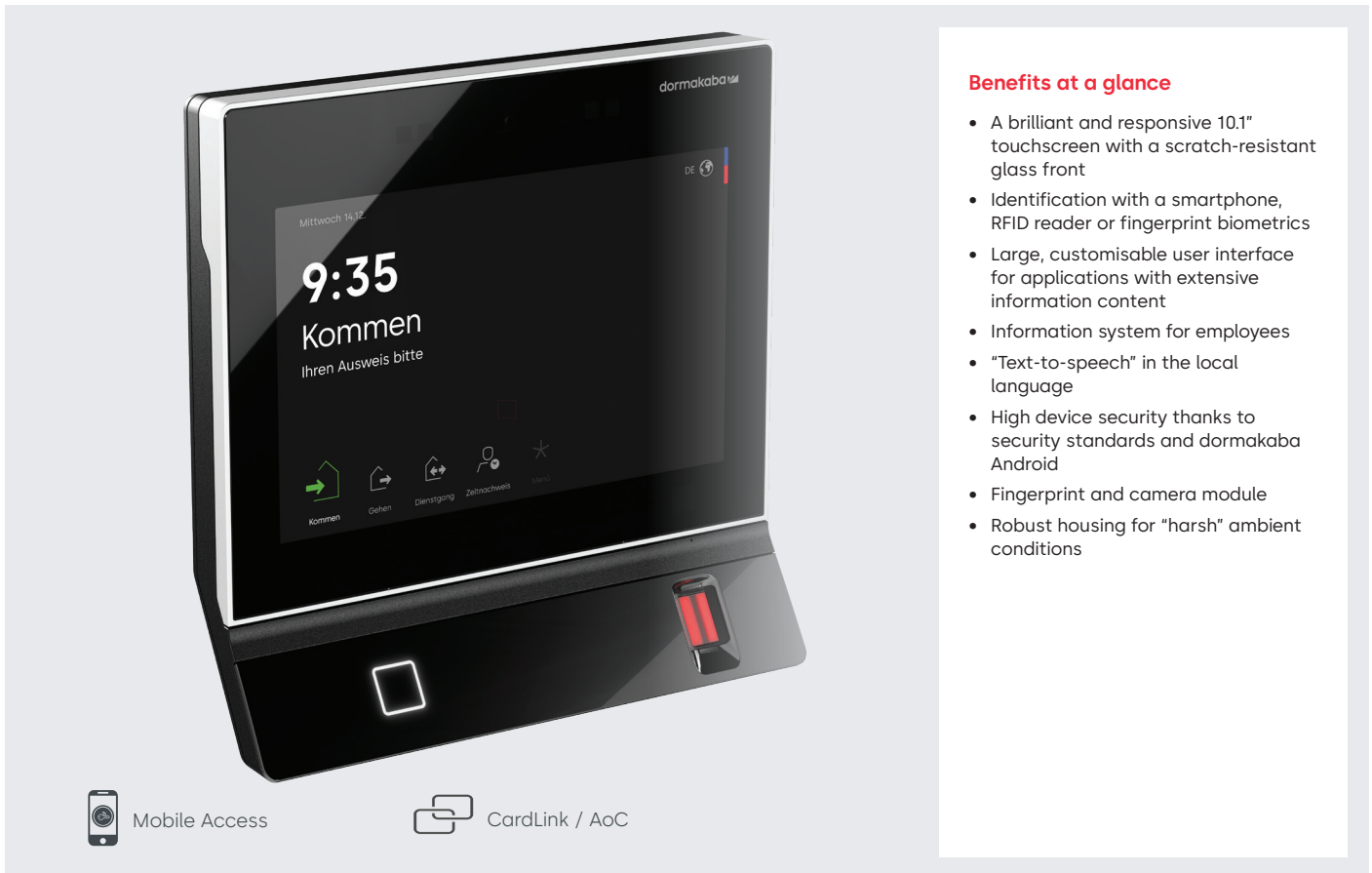


dormakaba terminal 98 00

The highest standard of time recording



Benefits at a glance

- A brilliant and responsive 10.1" touchscreen with a scratch-resistant glass front
- Identification with a smartphone, RFID reader or fingerprint biometrics
- Large, customisable user interface for applications with extensive information content
- Information system for employees
- "Text-to-speech" in the local language
- High device security thanks to security standards and dormakaba Android
- Fingerprint and camera module
- Robust housing for "harsh" ambient conditions

Immerse yourself in the highest standard of time recording with the dormakaba terminal 98 00, the premium model from the new K7 terminal generation. It fulfils the requirements of demanding applications, allowing users to display both large selection lists and extensive informational content. With its advanced technology, the 98 00 terminal not only offers reliable time recording but also an impressive range of advanced functions and is therefore also suitable as a terminal for shop floor data collection.

The instantaneous and high-resolution 10.1" touchscreen sets standards for intuitive and user-friendly operation. The robust design not only ensures a long service life but also maximum reliability, even under demanding conditions.

Employees are identified using an RFID card or smartphone on the integrated multi-RFID reader. Alternatively, you can also opt for biometric identification which offers simplified user administration as well as improved convenience and protection against buddy-punching.

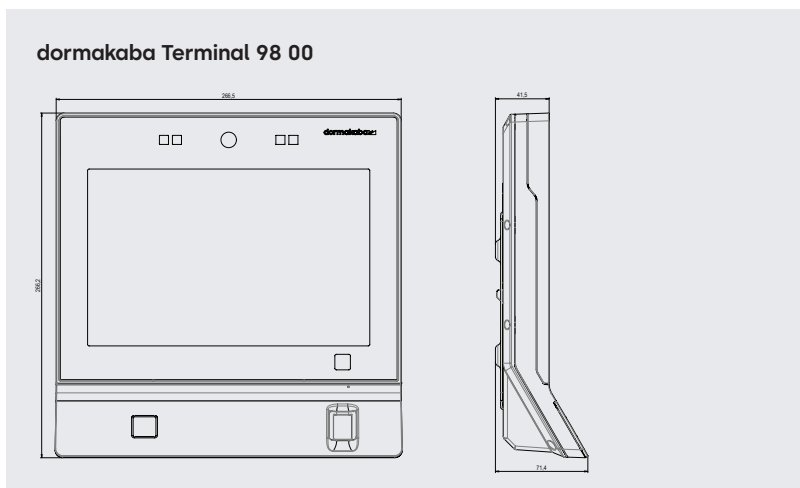
In addition to time recording, the dormakaba terminal 98 00 offers you the option of door control or can serve as a CardLink/AoC update terminal for your access solution.

Choose from different function variants:

Terminal 98 00 is available in the function variants 98 20, 98 40 and 98 60. This makes it quick and easy to select the required range of functions.

dormakaba terminal 9800-K7	98 20	98 25	98 40	98 60
Device software				
B-Client_HR40	●	–	●	●
B-Client_XML60	○	●	○	○
Identification				
Multi-RFID reader, LEGIC / MIFARE (SM6300)	○	○	○	○
HID - iCLASS SE, iCLASS, Prox, Prox II	○	○	○	○
Fingerprint biometrics (CBM)	○	○	○	○
Host interface				
10/100/1000 Ethernet interface (IPv4, IPv6)	●	●	●	●
WLAN	○	○	○	○
Applications				
Mobile Access	●	–	●	●
CardLink/Access on Card (AoC)	–	–	●	●
Door control	–	●	–	●
Loudspeaker	●	●	●	●
Microphone	●	●	●	●
Energy Saving Mode with proximity sensor	●	●	●	●
RGB camera	○	○	○	○
Memory Capacity				
50,000 master records	●	●	●	●

Standard ●
Optional ○
Not available –



Technical data

System

- 10.1" touchscreen 1,280 x 800 pixels
- CPU: i.MX8M Mini Quad Processor
- Memory: 4 GB RAM, 16 GB eMMC Flash
- Operating system: dormakaba Android (updateable)
- Audio: Integrated loudspeaker (1 W)
- Real-time clock
- Tamper switch

Interfaces

- Internal I/Os (2 digital inputs, 1 output)
- 1x USB 2.0, type C

Power supply

- PoE (IEEE 802.3at)
- Power class 0 (0.44–12.95 W)

Environment

- Ambient temperature: -5°C to +45°C
- Relative humidity: 5% to 85% (non-condensing)
- Class of protection according to IEC 60529: IP20/IP65 (depending on version)
- Impact resistance: IK06

Design and material

- Robust plastic housing with wall mounting plate
- Hardened-glass device front
- Cast metal back plate (ZAMAK)

Dimensions (W x H x D)

- 266.5 mm x 266.2 mm x 65.6

You will find further details and order information in the relevant dormakaba catalogues and system descriptions.

Subject to technical modifications.
© 2025 dormakaba. Edition 02/2025



Any questions? We will be happy to assist you.

dormakaba International Holding AG | Hofwisenstrasse 24 | CH-8153 Rümlang | info.de@dormakaba.com | dormakaba.com