

dormakaba terminal ONE

Time recording made easy



Benefits at a glance

- A brilliant, high-resolution 5" touchscreen with a scratch-resistant glass front
- Identification with RFID reader or fingerprint biometrics
- Freely configurable user interface
- "Text-to-speech" in the local language
- High device security thanks to security standards and dormakaba Android
- Fingerprint module
- Robust housing with cast metal back plate

The dormakaba terminal ONE from the new K7 terminal generation sets new standards in efficiency through the use of energy-saving hardware components and a proximity sensor. Modern technologies enable reliable time recording and offer a variety of intelligent functions such as "text to speech". The high-resolution touchscreen display reacts instantaneously and therefore enables intuitive operation while the robust design ensures durability and reliability.

The dormakaba terminal ONE impresses with its user-friendly interface and simple integration into existing systems.

Employees are identified using an RFID card on the integrated multi-RFID reader. Alternatively, you can also opt for biometric identification which offers simplified user administration as well as improved convenience and protection against buddy-punching.

In addition to time recording, the dormakaba terminal ONE offers the option of door control.

dormakaba terminal ONE-K7

ONE

Device software

B-Client_HR40



Identification

Multi-RFID reader, LEGIC / MIFARE (SM6300)



HID - iCLASS SE, iCLASS, Prox, Prox II



Fingerprint biometrics (CBM)



Host interface

10/100/1000 Ethernet interface (IPv4, IPv6)



WLAN



Applications

Mobile Access



CardLink/Access on Card (AoC)



Door control



Loudspeaker



Energy Saving Mode with proximity sensor



Memory Capacity

1,000 master records



Standard ●
Optional ○
Not available –

Technical data

System

- 5" touchscreen 1,080 x 720 pixels
- CPU: i.MX8M Mini Quad Processor
- Memory: 4 GB RAM, 16 GB eMMC Flash
- Operating system: dormakaba Android (updateable)
- Audio: Integrated loudspeaker (1 W)
- Real-time clock
- Tamper switch

Interfaces

- Internal I/Os (2 digital inputs, 1 output)
- 1x USB 2.0, type C

Power supply

- PoE (IEEE 802.3at)
- Power class 0 (0.44–12.95 W)

Environment

- Ambient temperature: -20°C to +55°C
- Relative humidity: 5% to 85% (non-condensing)
- Class of protection according to IEC 60529: IP20/IP65 (depending on version)
- Impact resistance: IK08

Design and material

- Robust plastic housing with wall mounting plate
- Hardened-glass device front
- Cast metal back plate (ZAMAK)
- Mounting with VESA mount VESA MIS-D possible

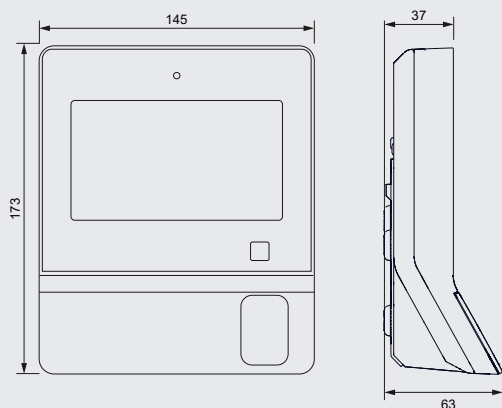
Dimensions (W x H x D)

- 145 mm x 173 mm x 63 mm

You will find further details and order information in the relevant dormakaba catalogues and system descriptions.

Subject to technical modifications.
© 2024 dormakaba. Edition 09/2024

dormakaba terminal ONE



Any questions? We will be happy to assist you.

dormakaba International Holding AG | Hofwisenstrasse 24 | CH-8153 Rümlang | info.de@dormakaba.com | dormakaba.com