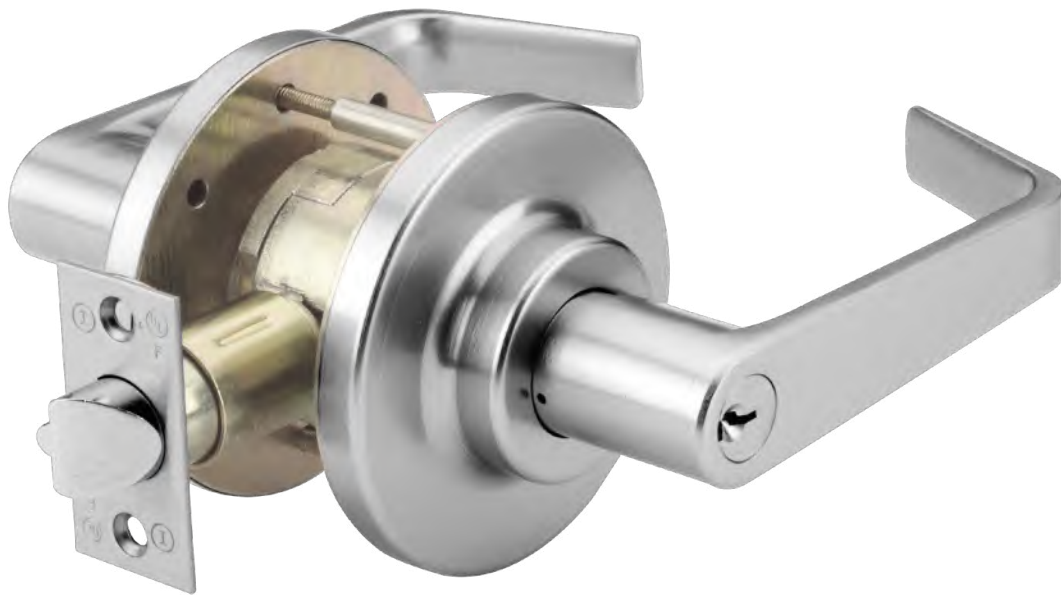
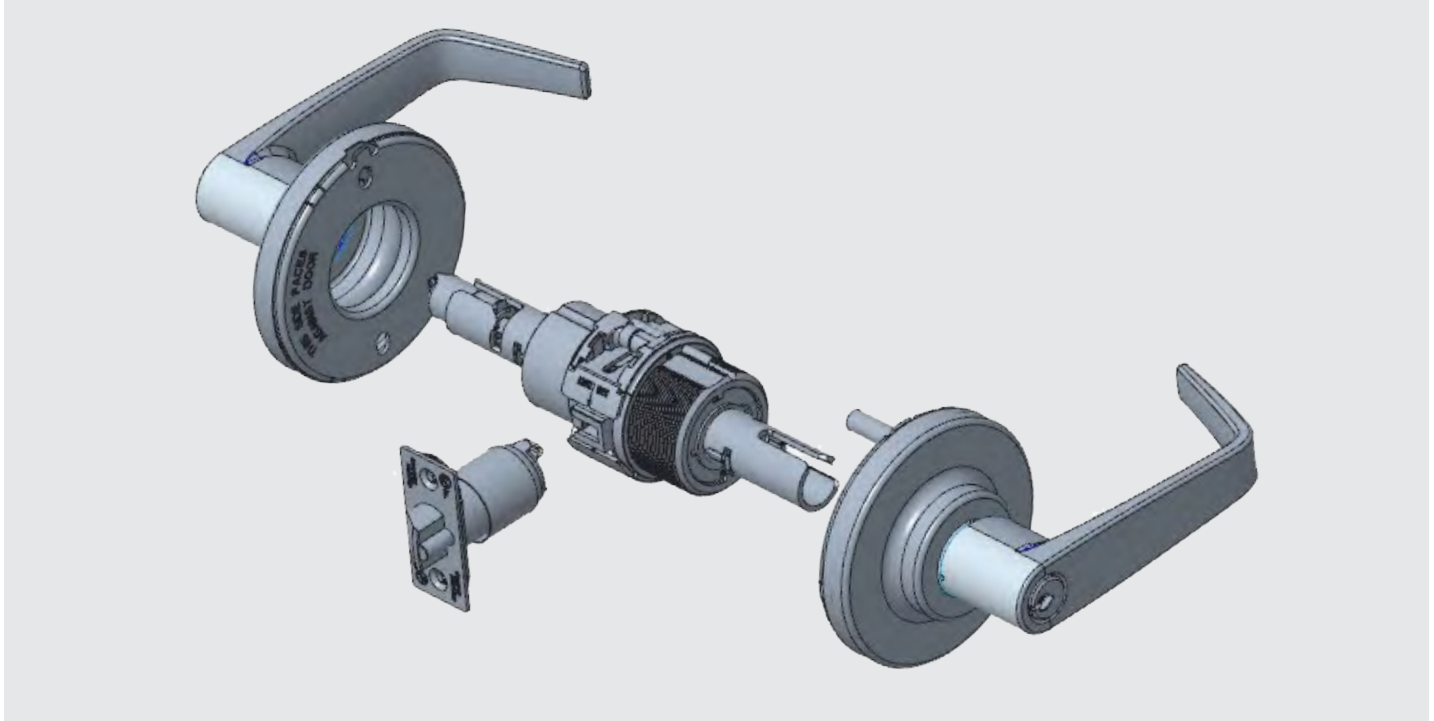


C200 Series

Grade 2 cylindrical locksets

We make access in life smart and secure





C200 Series Heavy-duty cylindrical lock

Contents

Grade 2 Heavy-duty cylindrical locksets

- 02 Features
- 03 Technical details/Specifications
- Ordering guide**
- 04 Locks
- 05 Keyways
- Functions**
- 06 Available functions
- 07 Latch options
- Trim options**
- 06 C500 LR Lever
- 06 C500 LC Lever
- 06 C500 LG Lever
- Lock options**
- 07 Strikes
- 07 1/2" Throw latch bolt

C200 Series Grade 2 heavy-duty cylindrical lockset

Exceptional security, enhanced aesthetics, and rugged dependability. These premium locks are built with a high performance cylindrical chassis for all applications where ANSI/BHMA A156.2 Series 4000 Grade 2 products are required. To meet the aesthetic needs of your project, these versatile locks are available in a range of trim designs..

Features

- C200 Series locks feature advanced design concepts for extreme reliability and are manufactured with the finest materials for exceptional durability.
- C200 Series locks are easy to install in both wood and hollow metal doors with ANSI/BHMA Standard A156.115 preparations for cylindrical locks.
- C200 Series lever handle locks include special spring assemblies designed to hold the levers in the correct position.
- C200 Series lever locks are through-bolted for additional strength and reliability.
- C200 Series lever locks are easily adjustable to accommodate doors from 1-3/8"–2" thick without spacers or special tools.

Recommended applications

- Hotels
- Apartments
- Churches
- Municipal Buildings
- Retail Complexes
- Offices

Technical details

- Non-handed for simple installation.
- Auxiliary deadlocking latch bolt.
- Lock chassis constructed of steel and stainless steel components for superior strength and corrosion resistance..

Cylinders and keying

- Unless otherwise specified, cylinders will be provided in standard keyway with two (2) nickel silver keys.
- Optional patented key system available.
- Refer to Price List for full details and options such as master keying, retrofit cylinders and keyways, and small format and full size interchangeable cores.

Finishes

- Brass: 605 (Bright), or 606 (Satin)
- Bronze: 612 (Satin) or 613 (Dark Oxidized Satin)
- Chrome: 625 (Bright) or 626 (Satin)

Special finish notes

ANSI/BHMA A156.18 standards describe 613 Dark Oxidized Satin Bronze finish as a category B finish. B category finishes, "do not match from one alloy or form of material to the next and from one manufacturer to the next." The 613 finish may vary between manufacturers' products and models.

In some instances, for customer convenience, the most appropriate BHMA finish symbols are used to indicate similarity of appearance, regardless of base metal or finishing process. Finishes of latches, strikes, cylinders/cores, and visible mounting screws, though similar in appearance, may differ from the finish of the trim. Finish designations in the 600 numbers are the BHMA (Builders Hardware Manufacturers Association) industry standard.

Security screws

Torx® tamper-resistant screws are available for all exposed screws. Specify TX.

Certifications

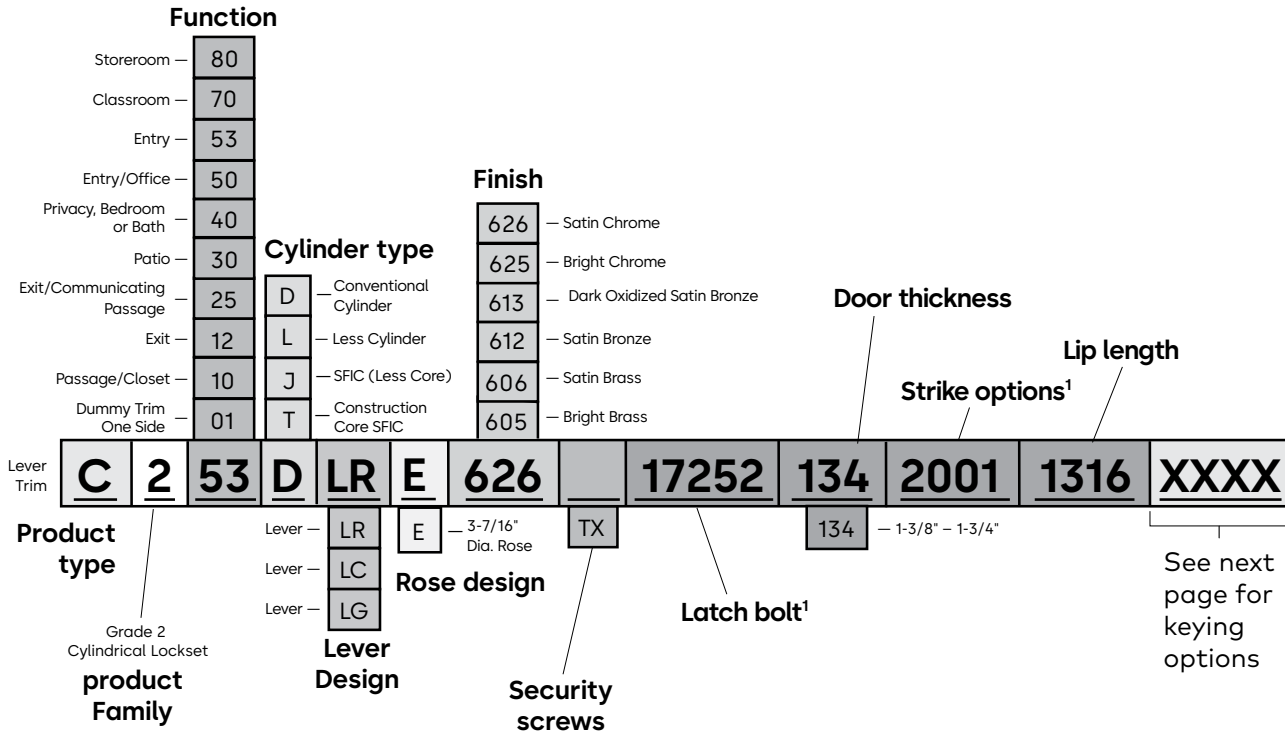
- ANSI/BHMA A156.2 Grade 2 certified.
- Meets A117.1 accessibility code and ADA requirements for barrier-free accessibility.
- UL listed 3 hour fire rated. Locks with 1/2" throw latch bolts are listed for A label and lesser class doors, 4'0" x 8'0" maximum per leaf.

Warranty

For details, refer to Warranty Statement.



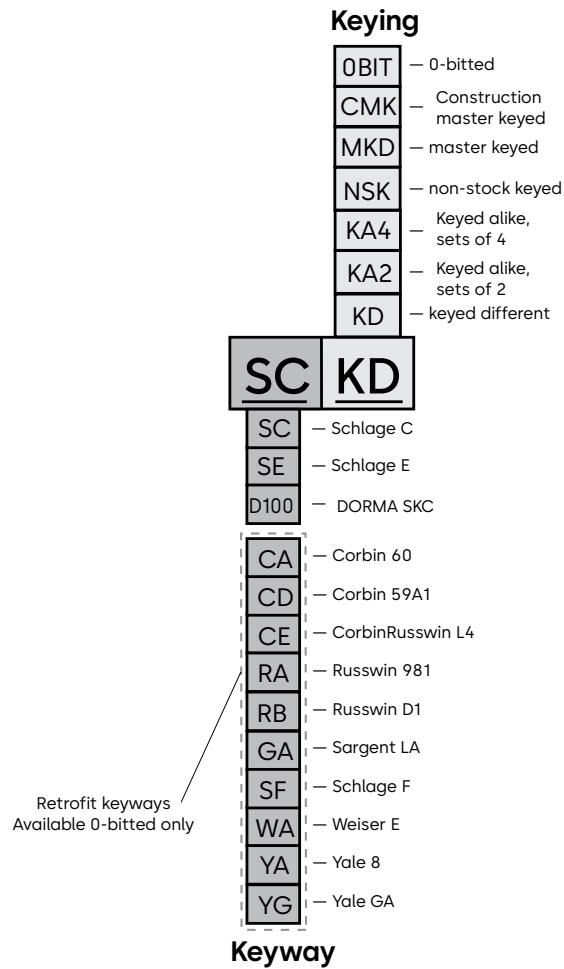
How to order C200 series lock



1. Example shows default values.
Refer to Lock Options section or price book for full details.

Standard keyways

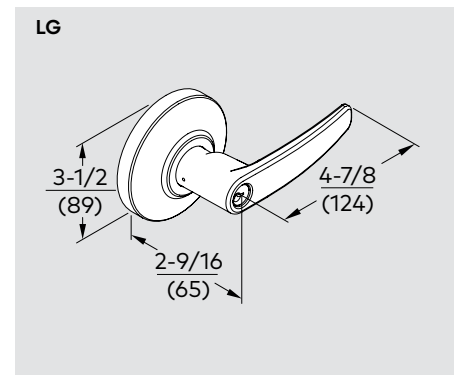
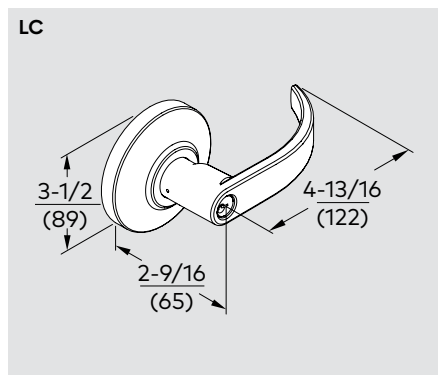
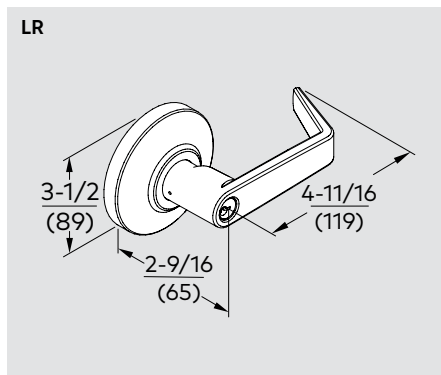
IC Keyways



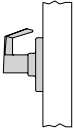
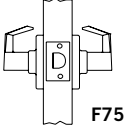
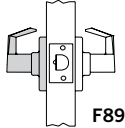
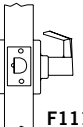
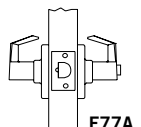
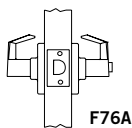
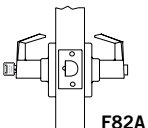
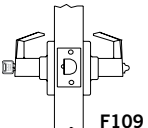
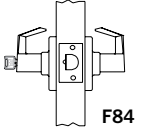
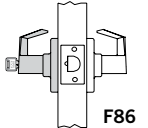
Note: All cores are ordered as a separate line item.

Trim options

Lever designs



Functions

Function	Series	Outside/Inside	Description
Dummy trim one side	C201		<ul style="list-style-type: none"> Used as pull or matching trim on pairs of doors. Trim is surface mounted.
Passage/Closet	C210	 F75	<ul style="list-style-type: none"> Latch bolt operated by trim from either side at all times.
Exit	C212	 F89	<ul style="list-style-type: none"> Deadlocking latch bolt retracted by trim from inside at all times. Outside trim always rigid. Inside trim always unlocked.
Exit/Communicating passage	C225	 F111	<ul style="list-style-type: none"> Deadlocking latch bolt operated by inside trim. Blank plate outside. Minimum clearance 1" on single doors and 2" between double doors.
Patio	C230	 F77A	<ul style="list-style-type: none"> Deadlocking latch bolt operated by trim from either side. Outside trim locked by push button or locking device inside. Outside trim unlocked by inside trim. Outside trim unlocked by closing door. Inside trim always unlocked. Do not use in rooms that have no other entrance.
Privacy, bedroom or bath	C240	 F76A	<ul style="list-style-type: none"> Latch bolt operated by trim from either side. Outside trim locked by push button or locking device inside. Outside trim unlocked by emergency release from outside. Outside trim unlocked by inside trim. Outside trim unlocked by closing door. Inside trim always unlocked.
Entry/Office	C250	 F82A	<ul style="list-style-type: none"> Deadlocking latch bolt operated by trim from either side, except when outside trim locked by push button inside. Key outside releases push button, unlocking outside trim. Operating inside trim releases push button, unlocking outside trim. Inside trim always operates latch bolt.
Entry	C253	 F109	<ul style="list-style-type: none"> Deadlocking latch bolt operated by trim from either side, except when outside trim locked by push button inside. Key outside releases push button, unlocking outside trim, except when inside button pushed and turned to keep outside trim locked. Operating inside trim releases push button, unlocking outside trim, except when inside button pushed and turned to keep outside trim locked. Inside button must be turned to unlock outside trim. Inside trim always operates latch bolt.
Classroom	C270	 F84	<ul style="list-style-type: none"> Deadlocking latch bolt operated by trim from either side, except when outside trim locked by key from outside. When outside trim locked, latch bolt is operated by key in outside trim. When outside trim locked, latch bolt operated by inside trim.
Storeroom	C280	 F86	<ul style="list-style-type: none"> Deadlocking latch bolt retracted by key in outside trim. Deadlocking latch bolt operated by inside trim. Outside trim always inoperable.

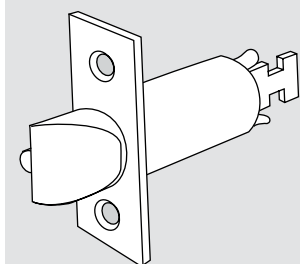
 Indicates rigid lever.

Lock options

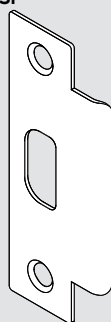
Available latches

Ref. #	Throw	Backset	Face	Functions
17150	1/2"	2-3/8"	1", Square Corner	212, 250, 270, 280, 253, 225, 210
17151	1/2"	2-3/8"	1", 1/4" Radius	212, 250, 270, 280, 253, 225, 210
17152	1/2"	2-3/8"	1-1/8", Square Corner	212, 250, 270, 280, 253, 225, 210
17180	1/2"	2-3/8"	1", Square Corner	230, 240
17181	1/2"	2-3/8"	1", 1/4" Radius	230, 240
17182	1/2"	2-3/8"	1-1/8", Square Corner	230, 240
17250	1/2"	2-3/4"	1", Square Corner	212, 250, 270, 280, 253, 225, 210
17251	1/2"	2-3/4"	1", 1/4" Radius	212, 250, 270, 280, 253, 225, 210
17252	1/2"	2-3/4"	1-1/8", Square Corner	212, 250, 270, 280, 253, 225, 210
17280	1/2"	2-3/4"	1", Square Corner	230, 240
17281	1/2"	2-3/4"	1", 1/4" Radius	230, 240
17282	1/2"	2-3/4"	1-1/8", Square Corner	230, 240
17350	1/2"	3-3/4"	1", Square Corner	212, 250, 270, 280, 253, 225, 210
17351	1/2"	3-3/4"	1", 1/4" Radius	212, 250, 270, 280, 253, 225, 210
17352	1/2"	3-3/4"	1-1/8", Square Corner	212, 250, 270, 280, 253, 225, 210
17380	1/2"	3-3/4"	1", Square Corner	230, 240
17381	1/2"	3-3/4"	1", 1/4" Radius	230, 240
17382	1/2"	3-3/4"	1-1/8", Square Corner	230, 240
17550	1/2"	5"	1" Square Corner	212, 250, 270, 280, 253, 225, 210
17551	1/2"	5"	1", 1/4" Radius	212, 250, 270, 280, 253, 225, 210
17552	1/2"	5"	1- 1/8" Square Corner	212, 250, 270, 280, 253, 225, 210
17580	1/2"	5"	1" Square Corner	230, 240
17581	1/2"	5"	1", 1/4" Radius	230, 240
17582	1/2"	5"	1- 1/8" Square Corner	230, 240

1/2" Throw latch bolt



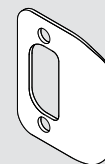
Standard - ANSI



Optional - T Strike



Optional - full lip



Notes:

- 2-3/4" backset with 1/2" throw is the C200 Series default.
- Links for 3-3/4" and 5" backset require 2-3/8" backset latches.

2001 — ANSI 1-1/4" x 4-7/8" strike. 1-3/16" lip length. Default strike for all C200 Series locks.

71547007 ANSI plastic dust box for 2001 ANSI strike.

Dust box included.

2101 — 1-1/8" x 2-3/4" square T-strike. 1-1/8" lip length. Optional for C200 Series locks.

2102 — 1-1/8" x 2-3/4" T-strike with radiused corners. 1-1/8" lip length. Optional for all C200 Series locks. For optional 1-1/2" lip length, specify 2101-112 or 2102-112.

2201 — 1-5/8" x 2-1/4" full curved lip strike with square corners. 1-1/8" lip length. Optional for all C200 Series locks.

2202 — 1-5/8" x 2-1/4" full curved lip strike with 1/4" radiused corners. 1-1/8" lip length. Optional for all C200 Series locks.

Our Sustainability Commitment

We are committed to foster a sustainable development along our entire value chain in line with our economic, environmental and social responsibilities toward current and future generations. Sustainability at product level is an important, future-oriented approach in the field of construction. In order to give quantified disclosures of a product's environmental impact through its entire life cycle, dormakaba provides Environmental Product Declarations (EPD), based on holistic life cycle assessments. <https://www.dormakabagroup.com/en/sustainability/product-declarations>.

Our offering

Access Automation Solutions

Entrance Automation
Entrance Security



Access Control Solutions

Electronic Access & Data
Escape and Rescue Systems
Lodging Systems



Access Hardware Solutions

Door Closers
Architectural Hardware
Mechanical Key Systems



Services

Technical Support
Installation and commissioning
Maintenance and Repair



Key & Wall Solutions

Key Systems
Movable / Sliding Walls



Safe Locks

Electronic Safe Locks
Mechanical Safe Locks
Boltworks and Accessories



Glass systems

Manual door systems
Glass fittings
Horizontal Sliding Walls



DHW_1686_BR_EN CEI 0225
Subject to change without notice

dormakaba USA Inc.
6161 E 75th Street
Indianapolis, IN 46250
1-800-523-8483
dormakaba.us



dormakaba.com