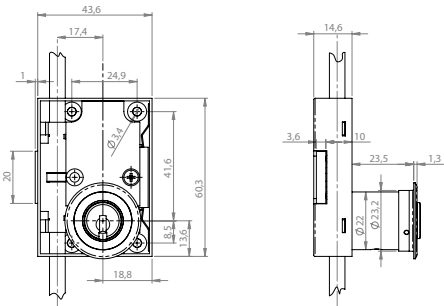


Espagnolette lock

MES.2345



Application:

For left and right hinged wardrobe doors
Replaces discontinued espagnolette locks 1345, 78-4-007 and piccolo nova.

Specification:

Housing supplied in solid natural brass with nickel plating
Reversible key made from nickel silver

Included with the lock:

Furniture cylinder 1008C (see page K.108)
2 reversible keys (See "Special Functions and Keys" for key options)
Plastic key clip in dark red for Kaba penta, in dark blue for all other systems
1 lock hook (right or left)
2 ea joint bolts, rod sleeves and drive rods
Security Card for ownership registration and ordering duplicate keys
Installation and Maintenance Instructions

Premier Systems: **6** Kaba penta **7** Kaba quattro pluS **12** Kaba gemini pluS
Patent expired systems **4** Kaba quattro S **2** Kaba gemini S
Old systems **3** Kaba quattro¹⁾ **1** Kaba gemini¹⁾
Dealer systems **5** Kaba experT²⁾ **19** Kaba maTriX²⁾
Old dealer system **9** Kaba gemini T²⁾

Cylinder length Standard - 25 to 75mm in 5 mm steps, 60mm on request only

Options (See „Special Functions and Keys“ for details)

BAZ	Construction key	BAZ3	Construction key 3		
RE	Right hinged door	LI	Left hinged door		
1,9	1930mm rod length	2,2	2130mm rod length	2,5	2500mm rod length

O.DREHSTANGEN	Without drive rods	O.ZUB.	Without Accesories
---------------	--------------------	--------	--------------------

Accessories

MZU.747.NI	1ea locking hook left and right, 2 pins, 2 rod guides
MZU.731.WV.1930	Drive rod 1930mm long
MZU.731.WV.2130	Drive rod 2130mm long
MZU.731.WV.2500	Drive rod 2500mm long

Cylinder Length	Door Thickness
25	19.5
30	24.5
35	29.5
40	34.5
45	39.5
50	44.5
55	49.5
60	64.5
65	59.5
70	64.5
75	69.5

Standard Surface Finishes (for lock cylinder)

NI - Nickel plated	MS - Brass natural	
--------------------	--------------------	--

Optional Surface Finishes

BH - brown light	MP - Brass polished	CR - Chrome standard
BM - brown medium	MSA - Brass antique	CRM - Chrom dull
BD - brown dark		CRP- Chrome polished
NIC - chemically nickel plated		
GO - gold plated		

Order Code System

System Code.Lock.Type.Cylinder length.Surface finish.Rod lenght.Hinge side.Option

Example:

6.MES.2345.25.NI.2,5.RE = penta.furniture lock.2345.cylinder length 25mm.nickel plated. 2500mm drive rods.right hinged door

Please note that certain options, finishes and dimensions may be subject to extended factory lead times. Please contact our office via email on sales.uk@kaba.com or telephone (0) 870 000 5625.

¹⁾ Kaba gemini and Kaba quattro are only offered for existing master key systems.

²⁾ Kaba experT, Kaba maTriX and Kaba gemini T are only sold to authorized dealers.