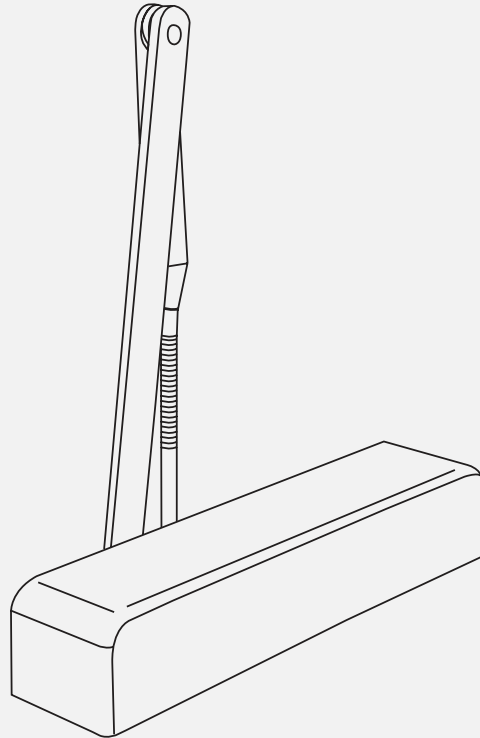


STA 8900 Series Closer



Applications:

The STA 8900 Series is designed for use in severe climatic conditions, or where there is exposure to salt laden or other corrosive environments. Recommended applications include seashore/swimming pool areas, offshore installations, ships, chemical plants, sewage treatment facilities... anywhere rust and corrosion typically present problems. It is available in adjustable spring sizes 1-6 and 5-6 +50%.

Listings and approvals:

- ANSI Grade 1
- UL and ULC
- UL10C for positive pressure UBC 7.2 1997
- CSFM
- M.E.A.

Warranty: 25 Years

Range of door sizes:

- Exterior door widths to 48" (1219mm)
- Interior door widths to 48" (1219 mm)
- Door heights to 96" (2438 mm)
- Door weights to 250 lb (114 kg).
- Can be adjusted to meet ADA maximum 5 lb opening force on properly hung interior doors.

Finishes:

Standard sprayed finishes

- 689 (Aluminum)
- 690 (Dark Statuary Bronze)
- 691 (Dull Bronze)
- 693 (Black)
- 695 (Dark Duranodic Bronze)
- 696 (Satin Brass)

Custom painted finishes

Submit sample.
Customer approval required.

Architectural plated finishes

- 629 (Polished Stainless)
- 630 (Polished Satin)

Closer mounting options:

(based on arm selection)

- Regular pull side of the door
- Top jamb push side of the door
- Parallel arm on push side of the door

Arm functions:

- Regular, Top Jamb or Parallel Arm

Closer functions:

- Adjustable power
- Adjustable backcheck intensity
- Adjustable backcheck positioning
- Adjustable sweep speed
- Adjustable latch speed
- Optional delayed closing from maximum opening angle to approximately 70°.

Cover options:

- Standard full plastic cover.
- Optional full plastic slotted cover.
- Optional full stainless steel metal cover (required for architectural finishes).

ANSI A156.4 Grade 1 selector chart

Arm(s)	Hingeside	Parallel arm	Top jamb
FT4 function options	A, B, B, D, F, H, J	A, B, C, D, F, H, J	A, B, C, D, F, H, J
With cover	CO2011	C02021	C02041



Any questions? We would be happy to advise you.

Contact us at: 1-800-523-8483