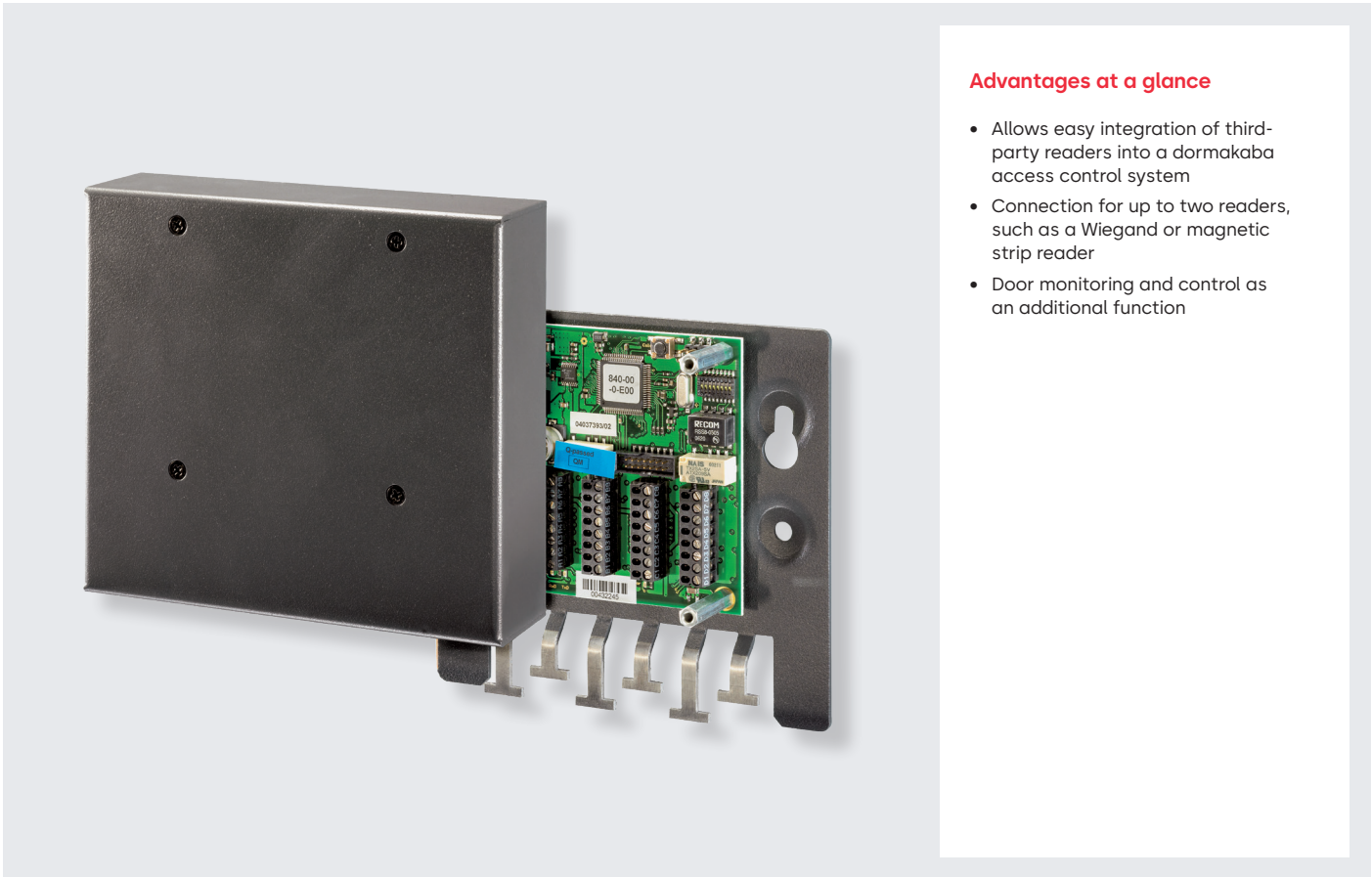


dormakaba interface 90 10 for integrating third-party readers



Advantages at a glance

- Allows easy integration of third-party readers into a dormakaba access control system
- Connection for up to two readers, such as a Wiegand or magnetic strip reader
- Door monitoring and control as an additional function

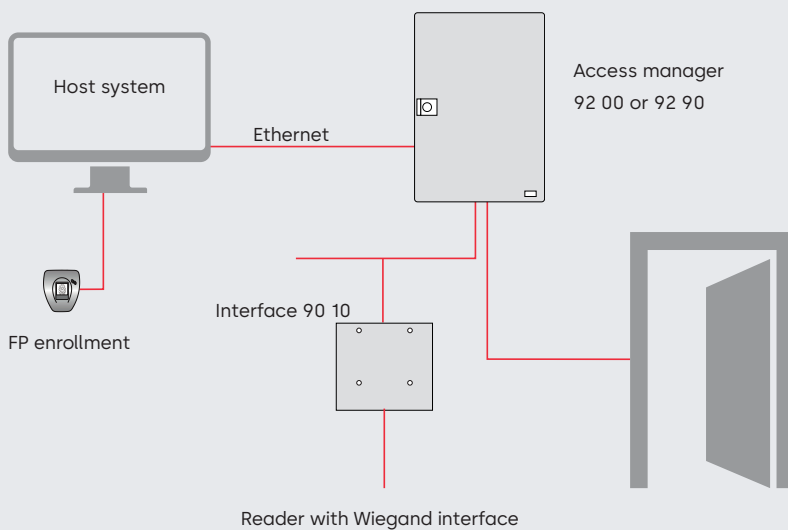
The sub-terminal Interface 90 10 is used to connect components such as readers with a Wiegand or serial interface to a dormakaba access control system. It functions as a converter and commutes

reader data into the dormakaba protocol. Interface 90 10 functions in the same way as the other sub-terminals for dormakaba access control. It is connected either via terminals or Access Manager 92 00, 92 30

and 92 90. The door management function allows it to open and monitor two doors. It is easily parametrised to perform this function.

- **Future-proof investment:** compatibility with several dormakaba access managers and access systems enables you to operate this sub-terminal in mixed mode with existing dormakaba systems and any extensions
- **Operating modes: online:** Online mode in connection with a control unit
- **Interfaces/integration:** the sub-terminal dormakab interface 90 10 uses a RS-485 port to connect either to an access management control unit, thus integrating it into an access control system, or to a time recording system where doors are simply opened.
- **Reader method:** reads Wiegand data and magnetic strip reader or serial reader data and converts it into the dormakaba BPA/9 or KCP protocols
- **I/Os:** Interface 90 10 is equipped with two relays to open doors and four digital inputs, two of which are monitored, e.g. to monitor a door using a frame contact or electric strike

Note: The product's range of available functions depends on the system context in which it is used.



Technical specification

Power supply

- Wide-range voltage input between 10 and 34 V DC

Environment

- Ambient temperature: -25 °C to +55 °C
- Relative humidity: 8 to 85%, non-condensing
- Class of protection as per BS EN 60529: IP20, IP65 (optionally)

Housing

- Metal housing

Dimensions

- Width 134 mm
- Height 121 mm
- Depth 38 mm

You will find further details and order information in the relevant dormakaba catalogues or system descriptions.

Subject to change without notice.
©2023 dormakaba. Version 08/2023

Any questions? We will be happy to assist you.

dormakaba International Holding AG | Hofwisenstrasse 24 | CH-8153 Rümlang | info.de@dormakaba.com | dormakaba.com