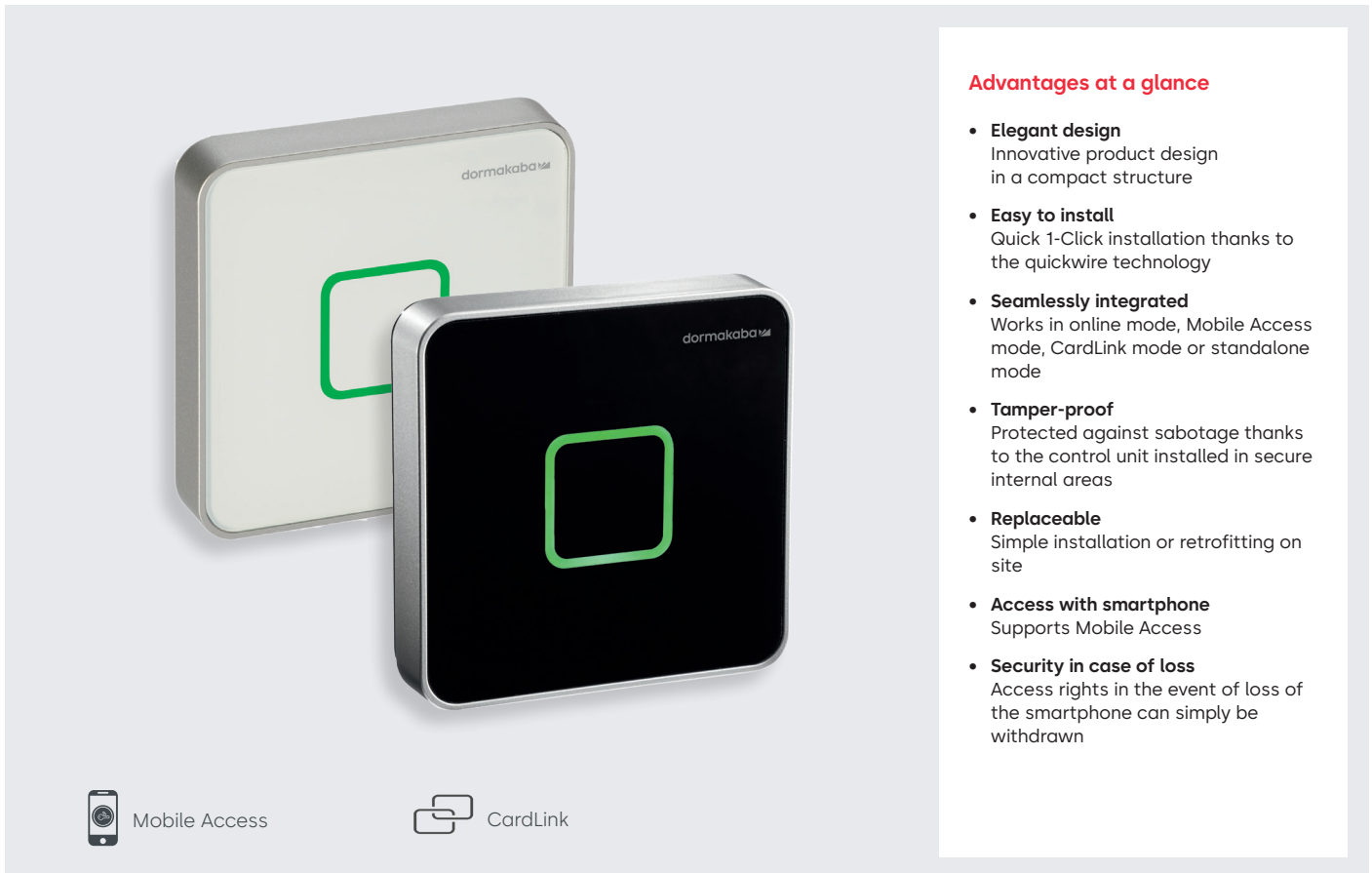


# dormakaba registration unit 90 01



## Advantages at a glance

- **Elegant design**  
Innovative product design in a compact structure
- **Easy to install**  
Quick 1-Click installation thanks to the quickwire technology
- **Seamlessly integrated**  
Works in online mode, Mobile Access mode, CardLink mode or standalone mode
- **Tamper-proof**  
Protected against sabotage thanks to the control unit installed in secure internal areas
- **Replaceable**  
Simple installation or retrofitting on site
- **Access with smartphone**  
Supports Mobile Access
- **Security in case of loss**  
Access rights in the event of loss of the smartphone can simply be withdrawn

### The reliable access solution

The dormakaba registration unit 90 01 is separate to the control unit. Regardless of the installation location, the respective unit can be installed in a tamper-proof area. Communication between the dormakaba registration unit and the dormakaba control unit is encrypted, offering a high level of security.

### One-Click Exchange

Thanks to the innovative quickwire technology, installation is quick and efficient. An upgrade from a registration unit 90 01 to 90 01 with the option BLE is very easy without wiring changes due to the quickwire technology. Your existing infrastructure can thus be preserved, which leads to the security of your investment.

### Function

Employees can be identified using card, key fob or smartphone. The visual and acoustic signalisation let users know if access has been granted or denied.

### Areas of application

The dormakaba registration unit 90 01 is designed for harsh operating conditions and can be used in both inside and outside. The scratch-resistant surface, aesthetic design and complete product portfolio also protect your investment.

### Innovative product design

The registration unit possesses an innovative design, comprising a silver frame and a high-gloss black front.

### User prompting

An acoustic signal and a light symbol (green/red) indicate whether access has been granted or denied. The access media are held up to the light symbol without needing contact. With Mobile Access, your mobile phone acts as the identification medium and permissions are assigned to the user/mobile phone. The identification process is controlled by a dormakaba app and the LEGIC cloud.

### Installation

The registration unit can be installed on various surfaces, including directly onto metal, in internal and protected external areas. It is designed for surface cable mounting using a spacer frame and flush cable mounting using a rear panel. This allows the registration unit to be installed directly onto the wall or using a flush mounting box. The quickwire technology makes installation quick and secure.

### Quickwire technology

With the state-of-the-art quickwire technology, the entire wiring is separated from the electronics in the rear panel or spacer frame. The electronics are only clicked into the unit when it is commissioned – a practical concept that makes installation easier (1-Click installation).

### Compatibility

The dormakaba registration unit 90 01 operates using the following dormakaba control devices:

- dormakaba access manager 92 xx
- dormakaba remote reader 91 15
- dormakaba remote reader 91 25

**Note:** The product's range of available functions depends on the system context in which it is used and whether the 9001-K5 or 9001-K6 Version is used.

### Technical specification

#### Options

- RFID & Mobile Access NFC
- RFID & Mobile Access NFC & BLE

#### Terminal

- communication via 50 Ω coaxial cable (RG 174/U recommended)

#### Environmental conditions

- temperature: -25°C to +70°C
- humidity: 0 to 95%, non-condensing
- protection class: IP54 (with rear panel & sealingmat) IP40 (with spacer frame)

#### Design / material

- rear panel/spacer frame: material: PC/ABS colour: RAL 9005 (black), RAL 9016 (white)
- frame: material: PC/ABS colour: RAL 9006, NCS S2502-B
- front: material: autotex polyester film in PMMA colour: RAL 9005 (black), RAL 9016 (white)

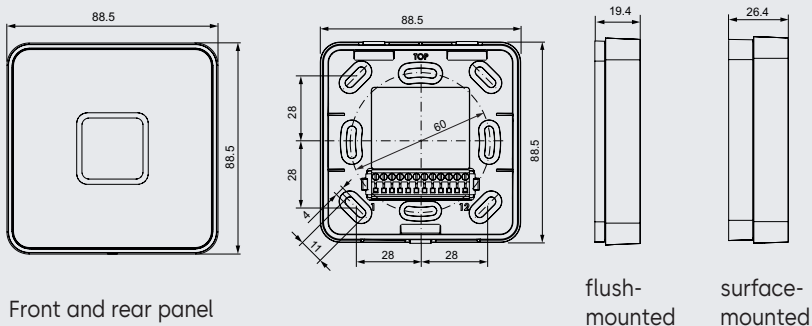
#### Dimensions (W x H x D)

- with rear panel: 88.5 x 88.5 x 19.4 mm
- with spacer frame: 88.5 x 88.5 x 26.4 mm

Further details and order information can be found in the relevant dormakaba catalogues or system descriptions.

dormakaba registration unit 90 01

Side views



Front and rear panel

flush-mounted

surface-mounted

Subject to change without notice.  
© 2023 dormakaba. Version 05/2023



**Any questions? We will be happy to assist you.**

dormakaba International Holding AG | Hofwisenstrasse 24 | CH-8153 Rümlang | info.de@dormakaba.com | dormakaba.com