

# ED100LE

## Low energy swing door operator



### Operator types and configurations

- 2-3/4" x 5-1/8" Fine Cover
- Surface applied
- Kits include Operator, Arm and 27" Header
- ED100LE PULL ARM KIT  
Clear Anodized Finish  
Wesco Part #: CS485245
- ED100LE PUSH ARM KIT,  
Clear Anodized Finish  
Wesco Part #: CS485141

The ED100LE is dormakaba's most versatile operator—functioning as either a low energy operator or a power operated pedestrian unit, the ED100LE operator is ideal for ADA-compliant entrance applications.

The ED100LE is field adjustable to work as a "knowing act" low energy operator, or a power operated pedestrian "full energy" unit with required additional equipment. With a multitude of adjustable features, you have the flexibility to fine tune the operator to meet opening requirements.

The ED100LE is a high adjustable, smartly engineered operator system at home in a variety of door systems, meeting the stringent requirements of ANSI 156.10, ANSI 156.19, UL325 and UL 10B.

#### Standards of compliance

Upon installation, the ED100LE can be configured to meet ANSI/BHMA A156.19, U.S. Standard for Power Assist and Low Energy Power Operated Doors, or ANSI/BHMA A156.10, U.S. Standard for Power Operated Pedestrian Doors (\*additional equipment required).

#### Low energy power operated door

A door with a power mechanism that opens the door upon receipt of a knowing act activating signal, does not generate more kinetic energy than specified in ANSI A156.19, and includes provisions to reduce the chance of user injury or entrapment. In an A156.19 application, this is achieved utilizing the following design factors:

- Reduced dynamic door panel contact forces
- Reduced static door panel contact forces
- Time delays
- Low opening and closing speeds
- Force limitations
- Signage

## ED100LE Technical specifications

### Configuration

Header dimensions (H x D x L)	2-3/4" x 5-1/8" x 27" (Fine)		
Operator weight	26.5 lb		
Internal power supply available for accessories	24 volts DC ± 5% 1.5 Amps		
Maximum door opening angle	110° (door stop recommended)		
Maximum wire size	16 AWG for incoming power 18 AWG for all other connections		
Maximum door weight* Based on prevailing conditions at the opening.	600 lb at maximum door width of 48"		
Door width	Minimum by operator type 28" for surface applied Maximum 48"		
Axle extensions	13/16" (20 mm) 1-3/16" (30 mm) 2-3/8" (60 mm)		
Reveal depth for pull arm with track	1-3/16" (30 mm)		
Reveal depth for standard push arm	0 to 9-3/4"		
Handing	Non-Handed		
<b>Required operating conditions</b>			
Ambient temperature	5°F – 122°F		
Power supply	115 volts AC ± 10%, 50/60 Hz Maximum 6.6 Amps, (SELV)		
Branch circuit protection (provided by others)	Maximum 15 Amps, dedicated branch circuit		
Protection class	NEMA 1		
Power wiring:black, white, bare copper (ground)	12 AWG		
Operating noise	Maximum 50 db(A)		
<b>Inputs</b>			
Activation inputs	<b>X4*</b>	Interior, exterior Normally open contact	
Safety sensors	<b>X5</b>	Swing, approach sides, normally closed contact	
Night/bank (intercom system)	<b>X10</b> 57, 57a	8 to 24 volts DC/volts AC + 5%	
Night/bank (key switch)	<b>X1</b> 35, 3	d2 parameter	Configure for Normally Open or Normally Closed
Deactivation of drive function	<b>X6</b> 4, 4a	d1 parameter	Configure for Normally Open or Normally Closed
<b>Outputs</b>			
Door status	<b>X7</b> 97, 98, 99	Sr parameter Door closed Door open Door closed, locked	Common Normally open normally closed

### NOTES

1 Speeds automatically limited depending on door weight, set during learn cycle.

2 In push version of slide channel with track installation type, forces are reduced by approximately 33%.

### Operating specifications

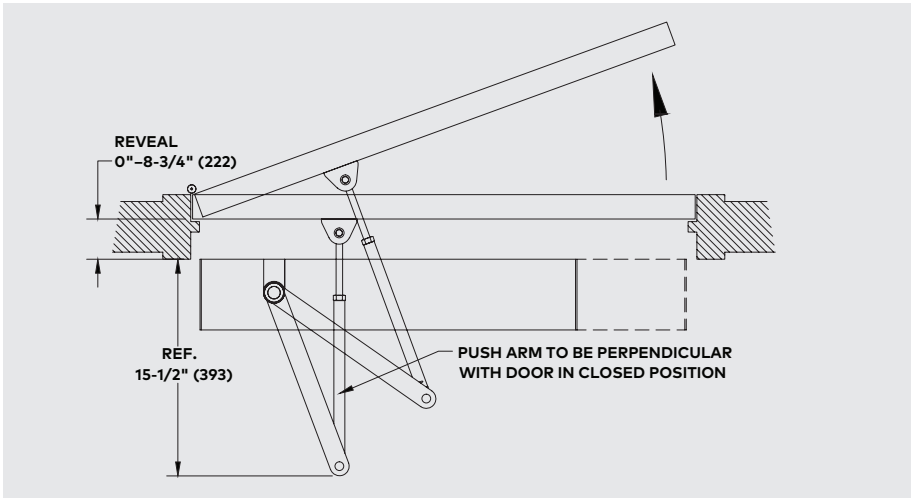
Automatic closing torque, lbf-ft 2	Minimum 14.8 lb f	Maximum 49 lb f
Manual closing torque, lbf-ft 2	Minimum 9.6 lb f	Maximum 27.3 lb f
Maximum opening speed, degrees per second 1	27 °/s	
Maximum closing speed, degrees per second 1	27 °/s	
<b>Door closer modes</b>		
Automatic mode	Designed for automatic access following pulse generation by a motion detector or pushbutton.	
Push-N-Go Mode	Door opens automatically following a slight manual movement of the door.	
Power assist	Available only in door closer mode (hd=1), manual opening. Drive support is automatically adjusted to operator size.	
<b>Integrated functions</b>		
<b>Hold open time</b>		
Automatic opening	<b>dd</b> parameter	0 to 30 seconds
Night/bank	<b>dn</b> parameter	0 to 30 seconds
Manual opening	<b>do</b> parameter	0 to 30 seconds
Door blocking behavior	<b>hd</b> parameter	Automatic, manual door modes
Electric strike delayed opening for locking mechanism	Ud parameter	0 to 4 seconds
Locking device feedback	<b>X3</b> 43, 3	Motor lock
Wind load control, maximum	<b>Fo, Fc</b> parameters	33.7 lb f 150 N
Voltage independent braking circuit	Adjustable with potentiometer	
LED status indicators Service manual	Green Red Yellow	24 Vdc power Error codes Service interval
Program & Exit Only switches	Auto, Close, Open, Exit Only; Off, On	
User interface	4-button keypad, 2-digit display	
Slot for dormakaba upgrade cards	Extension of range of functions	
TMP, temperature management program Service manual	Overload protection	
IDC, initial drive control	Driving phase optimization	
Cycle counter	<b>CC</b> parameter	0 to 1,000,000
Power assist function	<b>hA, hF, hS</b> parameters	Drive support for manual opening door
Push & go function	<b>PG</b> parameter	Auto opening of door at 4° open

# ED100 Fine cover surface applied

## Plan view

Single push operator

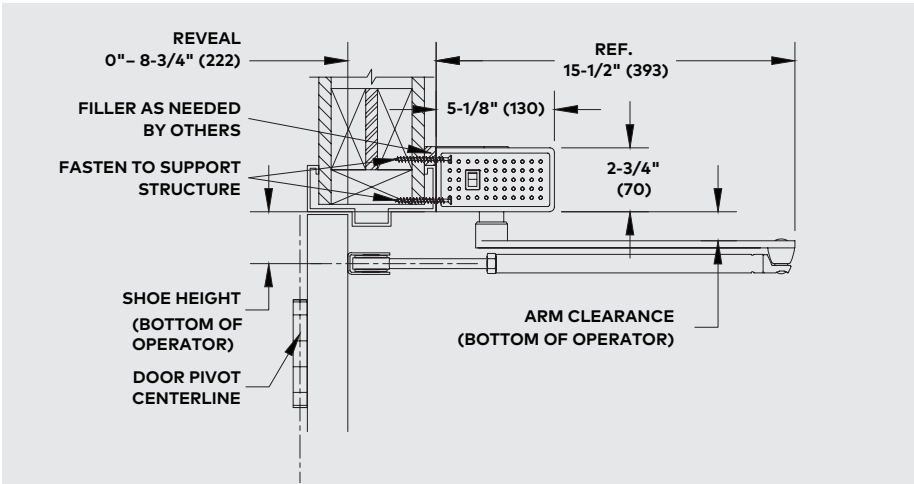
Left hand door shown (right hand opposite)



## Section view

Push operator

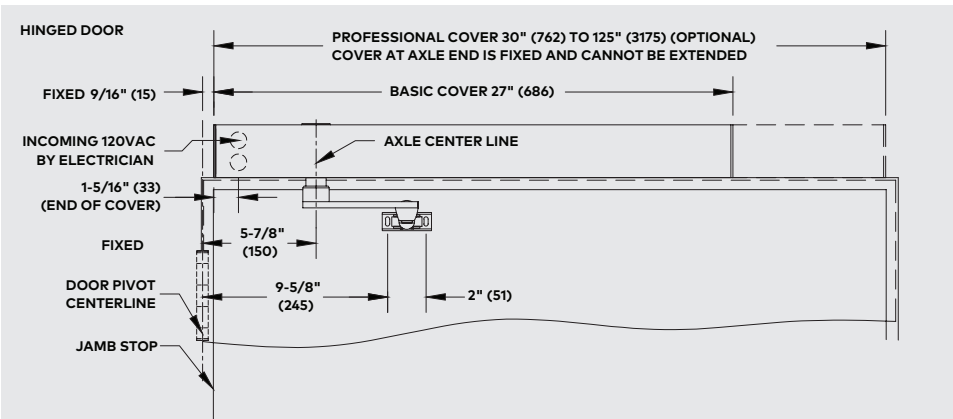
Left hand door shown (right hand opposite)



## Elevation view

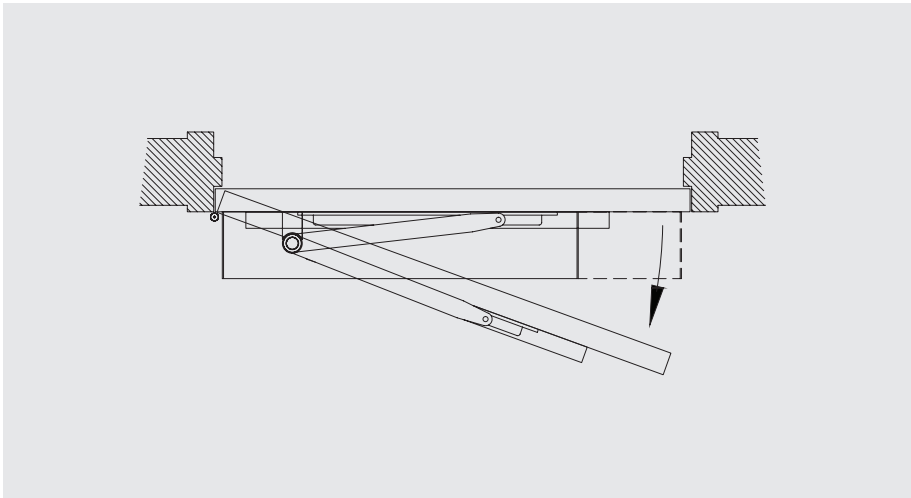
Single push operator

Left hand door shown (right hand opposite)

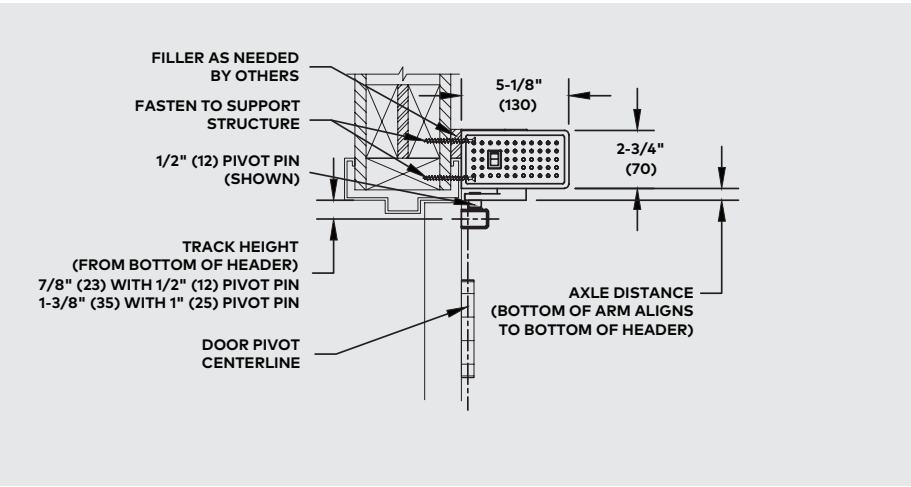


# ED100LE Fine cover surface applied

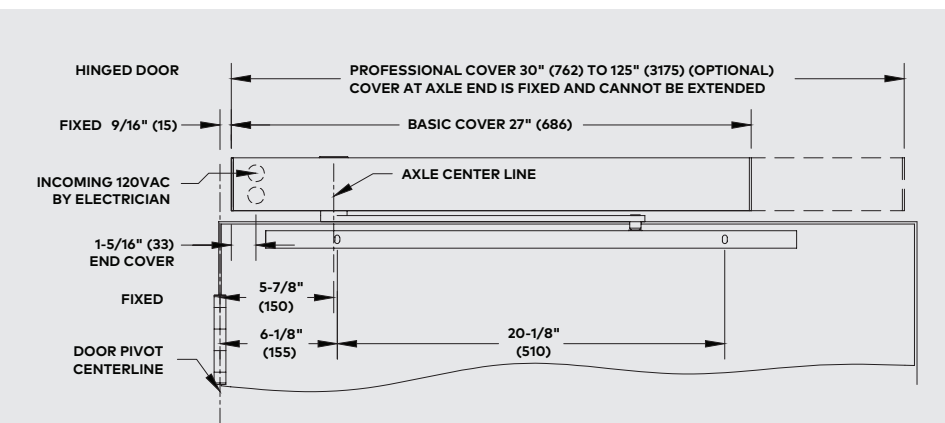
Plan view  
 Single pull operator  
 Right hand door shown (left hand opposite)



Section view  
 Pull operator  
 Right hand door shown (left hand opposite)



Elevation view  
 Single pull operator  
 Right hand door shown (left hand opposite)



## Accessories



### 912 Series Wireless, battery powered, touch free actuators

The 912 Series wireless, battery-powered, actuators utilize proven infrared motion detection technology to ensure consistent, dependable touch-free activation. Adjustable to comply with ANSI A156.19 knowing act applications.

#### The 912 Series is available in three models:

912-WBT (Double Gang)	Wesco Part # CS134254
912-WBT (Double Gang)	Wesco Part # CS134257
912GL-WBT (Surface Applied)	Wesco Part # CS134259



### 910TC Touch-free switch for the activation of automatic doors

The 910 Series are available with three plate designs, touch-free, healthcare and stainless steel. The unique low-profile touchless actuator plate utilizing capacitive technology for the activation of automatic doors. The aesthetically pleasing design provides hands-free door operation when used in conjunction with a low energy swing door operator to help reduce the spread of germs and bacteria..

#### The 910 Series is available in three models:

910TC (Wave)	Wesco Part # 992107
910TC-HC (ADA)	Wesco Part # CS134234
910TC-SS (Stainelss Steel)	Wesco Part # CS134224
910TC (Wave) - French	Wesco Part #: 10480172

© dormakaba 2025 Information on this sheet is intended for general use only. dormakaba reserves the right to alter designs and specifications without notice or obligation.

---

**Any questions? We would be happy to advise you.**

Contact us at: 1-800-523-8483

dormakaba USA Inc. | 6161 E. 75th St. Indianapolis, IN 46250 | [dormakaba.us](https://dormakaba.us)