

8005 Straight Square Entrance Pull Handles



Advantages at a glance

- 316 Marine Grade Stainless Steel
- Designed with your project's needs in mind
- High durability with concealed fixings
- Standard finishes: SSS and PSS
- Powdercoat and custom finishes available on request



AS1428 Compliant

dormakaba's straight square entrance pull handles epitomize the high quality ambitions of the dormakaba brand - designed for excellence down to the very last detail and exuding fine craftsmanship. They offer genuine quality, characterised by clearly defined features - irrespective of shape or size.

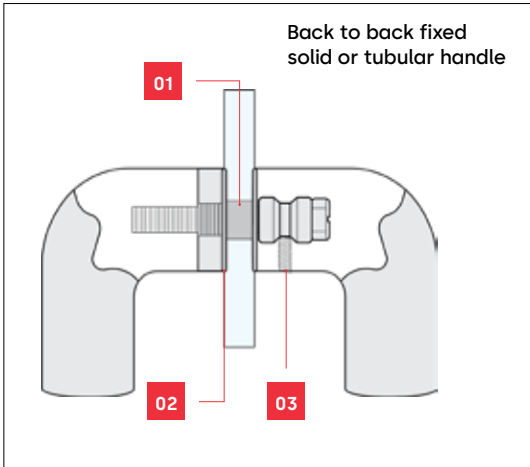
Created in premium 316 Marine Grade Stainless Steel offering superior corrosion resistance for internal and external use in high traffic buildings. The square section allows for a secure grip of the handle.

The 8005 entrance pull handles are an ideal choice for residential and commercial applications and are suitable for use on glass, timber and aluminium doors.

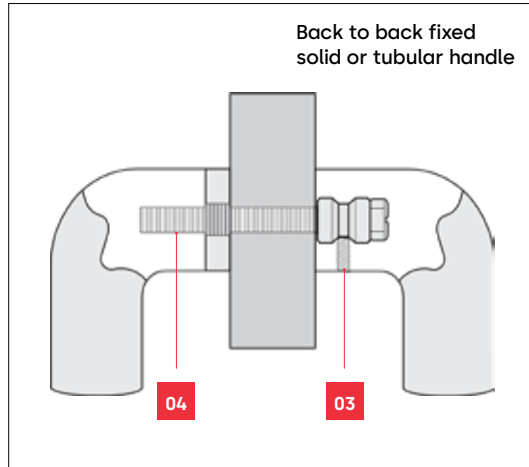
Refer to ordering details for a range of optional accessories to suit:

- Back to back extended fixing for timber doors
- Back to back fixing for glass doors
- Disc fixing for timber doors
- Disc fixing for glass doors

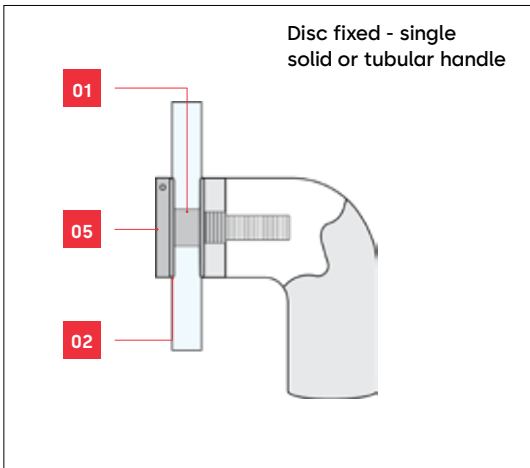
Fixing options



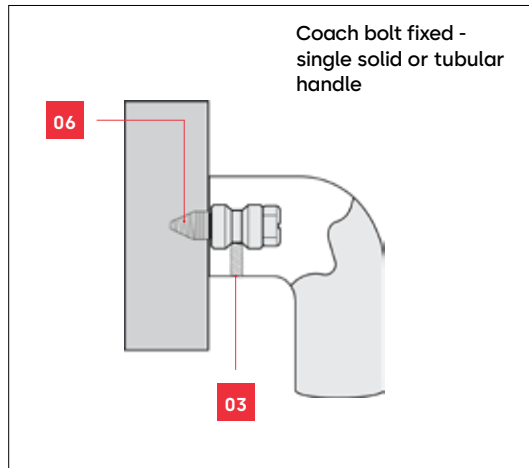
GD FIX - glass doors



TM FIX - timber or metal doors



D FIX - glass, metal or timber doors



C FIX - timber doors only

TIMBER DOOR FIXING

Material Size	Bolt Size
14mm Ø	5mm
16mm Ø	5mm
19mm Ø	8mm
25mm Ø	8mm
32mm Ø	8mm

METAL DOOR FIXING

Material Size	Bolt Size
14mm Ø	5mm
16mm Ø	5mm
19mm Ø	8mm
25mm Ø	8mm
32mm Ø	8mm

GLASS DOOR FIXING

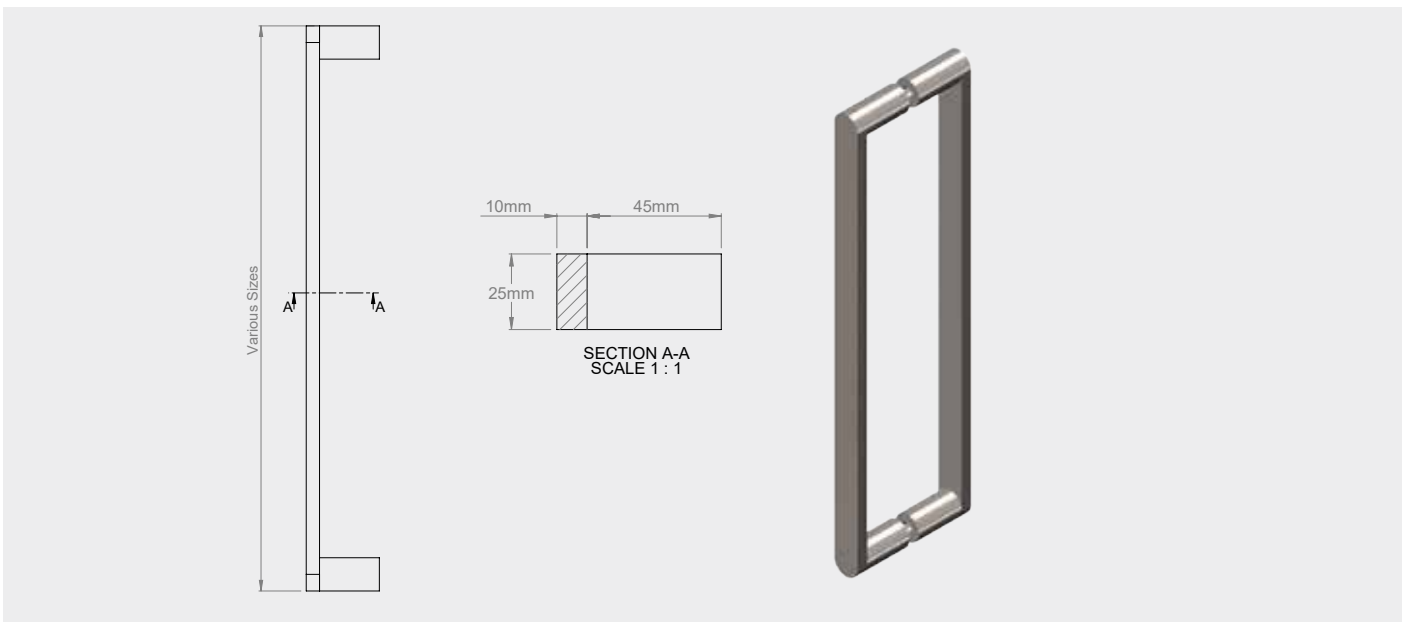
Material Size	Bolt Size
14mm Ø	12mm Ø
16mm Ø	12mm Ø
19mm Ø	12mm Ø
25mm Ø	12mm Ø
32mm Ø	12mm Ø

Note

Nylon spacers and washers are included with handle for glass door fixing option.

Legend

- 01 Spacer
- 02 Washer
- 03 Grub Screw
- 04 Bolt
- 05 Disc
- 06 Coach Bolt



8005 Straight Square dimensions

Ordering details

Item	Article Number	Description	Rail Section	Length	Fixing Centers	Projection
BACK TO BACK FIXING						
B8005/300/25X10/SF	940000016446	B8005/300/25X10 OA 325 CTC 300 SF	25mm x 10mm	325mm	300mm	55mm
B8005/300/25X10/PSS	9458002844102	B8005/300/25X10 OA 325 CTC 300 PSS	25mm x 10mm	325mm	300mm	55mm
B8005/300/25X10/SSS	9458002844101	B8005/300/25X10 OA 325 CTC 300 PSS	25mm x 10mm	325mm	300mm	55mm
B8005/450/25X10/SF	940000016447	B8005/450/25X10 OA 475 CTC 450 SF	25mm x 10mm	475mm	450mm	55mm
B8005/450/25X10/PSS	9458003954102	B8005/450/25X10 OA 475 CTC 450 PSS	25mm x 10mm	475mm	450mm	55mm
B8005/450/25X10/SSS	9458003954101	B8005/450/25X10 OA 475 CTC 450 PSS	25mm x 10mm	475mm	450mm	55mm
B8005/600/25X10/SF	940000016448	B8005/600/25X10 OA 625 CTC 600 SF	25mm x 10mm	625mm	600mm	55mm
B8005/600/25X10/PSS	9458004734102	B8005/600/25X10 OA 625 CTC 600 PSS	25mm x 10mm	625mm	600mm	55mm
B8005/600/25X10/SSS	9458004734101	B8005/600/25X10 OA 625 CTC 600 PSS	25mm x 10mm	625mm	600mm	55mm
B8005/900/25X10/SF	940000016449	B8005/900/25X10 OA 925 CTC 900 SF	25mm x 10mm	925mm	900mm	55mm
B8005/900/25X10/PSS	9458006234102	B8005/900/25X10 OA 925 CTC 900 PSS	25mm x 10mm	925mm	900mm	55mm
B8005/900/25X10/SSS	9458006234101	B8005/900/25X10 OA 925 CTC 900 PSS	25mm x 10mm	925mm	900mm	55mm

ACCESSORIES - EXTENDED FIXINGS - sold as a pair

TM/M8/50	9459508058200	M8/50 FERULE HEAD BOLT TM FIX	<p>Note: When ordering extended fixings please use the below formula.</p> <p>Door thickness + 20mm for the Ferule + 10mm in to the other handle = round up to the nearest size offered.</p>
TM/M8/75	9459758078200	M8/75 FERULE HEAD BOLT TM FIX	
TM/M8/90	940000012887	M8/90 BOLT & 16MM FERULE TM FIX	
TM/M8/100	940000012888	M8/100 BOLT & 16MM FERULE TM FIX	
TM/M8/110	9459118118200	M8/110 BOLT & 16MM FERULE TM FIX	
TM/M8/120	9459128128200	M8/120 BOLT & 16MM FERULE TM FIX	
TM/M8/130	9459138138200	M8/130 BOLT & 16MM FERULE TM FIX	
TM/M8/150	9459158158200	M8/150 BOLT & 16MM FERULE TM FIX	

ACCESSORIES - GLASS FIXINGS - sold as a pair

GF25/M8/50 RND	9459502588301	25 DIA RND GLASS FIXING PAIRS
----------------	---------------	-------------------------------

ACCESSORIES - GLASS FIXINGS - sold as a pair

GDF25/M8/50 PSS	9459502588102	25MM GLASS DISK FIX PSS PAIR M8X50MM
GDF25/M8/50 SSS	9459502588101	25MM GLASS DISK FIX SSS PAIR M8X50MM

Ordering details

ACCESSORIES - DISC FIX & CONCEALED FIXING KITS

94000000 16706	DISK FIX KIT 25MM SF
94000000 16707	DISK FIX KIT 32MM SF
94000000 16703	DISK FIX KIT 25MM
94000000 16704	DISK FIX KIT 32MM
94000000 16705	CONCEALED FIXING KIT

Any questions? We would be happy to advise you.

dormakaba Australia | info.au@dormakaba.com | T 1800 675 411 | www.dormakaba.com.au
dormakaba New Zealand | info.nz@dormakaba.com | T 0800 436 762 | www.dormakaba.co.nz

Subject to change without notice 000223 | 10.24