

2525 Straight Square Entrance Pull Handles



Advantages at a glance

- 316 Marine Grade Stainless Steel
- Designed with your project's needs in mind
- High durability with concealed fixings
- Standard finishes: SSS and PSS
- Powdercoat and custom finishes available on request



AS1428 Compliant

dormakaba's Straight Square Entrance Pull Handles crafted with precision and excellence in mind, these handles are designed to elevate your space with their superior quality and attention to detail.

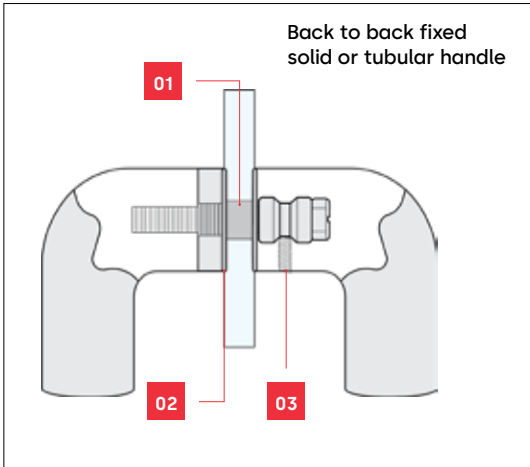
Made from premium 316 Marine Grade Stainless Steel, these handles are built to withstand the test of time, offering unmatched corrosion resistance for both indoor and outdoor use, even in high traffic areas. The straight square section design ensures effortless functionality, providing comfortable grip and ease of use.

Ideal for a variety of settings, from residential to commercial, these handles are versatile enough to be installed on glass, timber, and aluminium doors. Elevate your entrances with dormakaba's Straight Square Entrance Pull Handles and experience genuine quality that stands out in any space.

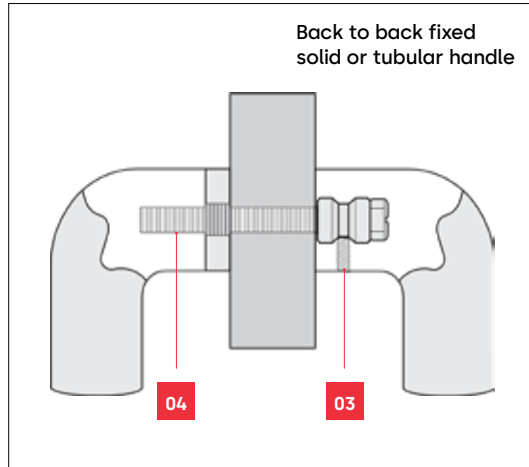
Refer to ordering details for a range of optional accessories to suit:

- Back to back extended fixing for timber doors
- Back to back fixing for glass doors
- Disc fixing for timber doors
- Disc fixing for glass doors

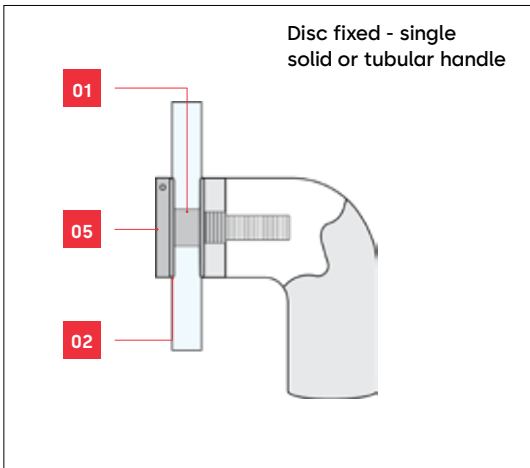
Fixing options



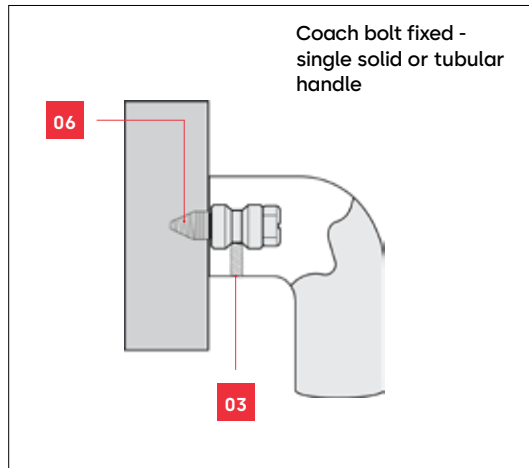
GD FIX - glass doors



TM FIX - timber or metal doors



D FIX - glass, metal or timber doors



C FIX - timber doors only

TIMBER DOOR FIXING

Material Size	Bolt Size
14mm Ø	5mm
16mm Ø	5mm
19mm Ø	8mm
25mm Ø	8mm
32mm Ø	8mm

METAL DOOR FIXING

Material Size	Bolt Size
14mm Ø	5mm
16mm Ø	5mm
19mm Ø	8mm
25mm Ø	8mm
32mm Ø	8mm

GLASS DOOR FIXING

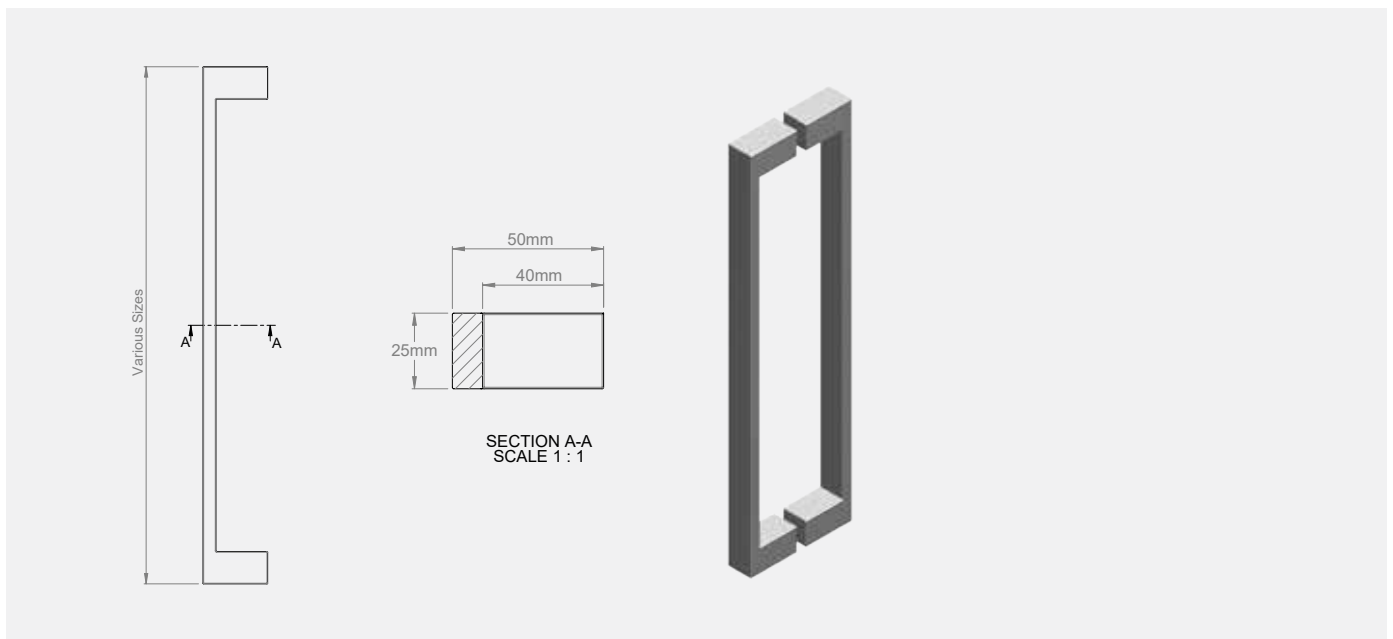
Material Size	Bolt Size
14mm Ø	12mm Ø
16mm Ø	12mm Ø
19mm Ø	12mm Ø
25mm Ø	12mm Ø
32mm Ø	12mm Ø

Note

Nylon spacers and washers are included with handle for glass door fixing option.

Legend

- 01 Spacer
- 02 Washer
- 03 Grub Screw
- 04 Bolt
- 05 Disc
- 06 Coach Bolt



Item	Article Number	Description	Diameter	Stand off	Length	Fixing Centers	Projection
BACK TO BACK FIXING							
2525/200/PSS	9452525242402	2525/200/25X12 OA 225 CTC 200 PSS	12mm x 25mm	25mm x 25mm	225mm	200mm	50mm
2525/200/SSS	9452525242401	2525/200/25X12 OA 225 CTC 200 SSS	12mm x 25mm	25mm x 25mm	225mm	200mm	50mm
B2525/200/SF	9400000016426	B2525/200/ 25X12 OA 225 CTC 200 SF	12mm x 25mm	25mm x 25mm	225mm	200mm	50mm
B2525/200/PSS	9457522184102	B2525/200/ 25X12 OA 225 CTC 200 PSS	12mm x 25mm	25mm x 25mm	225mm	200mm	50mm
B2525/200/SSS	9457522184101	B2525/200/25X12 OA 225 CTC 200 SSS	12mm x 25mm	25mm x 25mm	225mm	200mm	50mm
B2525/300/SF	9400000016427	B2525/300/ 25X12 OA 325 CTC 300 SF	12mm x 25mm	25mm x 25mm	325mm	300mm	50mm
B2525/300/PSS	9457522844102	B2525/300/ 25X12 OA 325 CTC 300 PSS	12mm x 25mm	25mm x 25mm	325mm	300mm	50mm
B2525/300/SSS	9457522844101	B2525/300/25X12 OA 325 CTC 300 SSS	12mm x 25mm	25mm x 25mm	325mm	300mm	50mm
B2525/450/SF	9400000016428	B2525/450/ 25X12 OA 475 CTC 450 SF	12mm x 25mm	25mm x 25mm	475mm	450mm	50mm
B2525/450/PSS	9457523954102	B2525/450/ 25X12 OA 475 CTC 450 PSS	12mm x 25mm	25mm x 25mm	475mm	450mm	50mm
B2525/450/SSS	9457523954101	B2525/450/25X12 OA 475 CTC 450 SSS	12mm x 25mm	25mm x 25mm	475mm	450mm	50mm
B2525/600/SF	9400000016429	B2525/600/ 25X12 OA 625 CTC 600 SF	12mm x 25mm	25mm x 25mm	625mm	600mm	50mm
B2525/600/PSS	9457524734102	B2525/600/ 25X12 OA 625 CTC 600 PSS	12mm x 25mm	25mm x 25mm	625mm	600mm	50mm
B2525/600/SSS	9457524734101	B2525/600/25X12 OA 625 CTC 600 SSS	12mm x 25mm	25mm x 25mm	625mm	600mm	50mm

ACCESSORIES - EXTENDED FIXINGS - sold as a pair

TM/M8/50	9459508058200	M8/50 FERULE HEAD BOLT TM FIX	<p>Note: When ordering extended fixings please use the below formula.</p> <p>Door thickness + 20mm for the Ferule + 10mm in to the other handle = round up to the nearest size offered.</p>				
TM/M8/75	9459758078200	M8/75 FERULE HEAD BOLT TM FIX					
TM/M8/90	9400000012887	M8/90 BOLT & 16MM FERULE TM FIX					
TM/M8/100	9400000012888	M8/100 BOLT & 16MM FERULE TM FIX					
TM/M8/110	9459118118200	M8/110 BOLT & 16MM FERULE TM FIX					
TM/M8/120	9459128128200	M8/120 BOLT & 16MM FERULE TM FIX					
TM/M8/130	9459138138200	M8/130 BOLT & 16MM FERULE TM FIX					
TM/M8/150	9459158158200	M8/150 BOLT & 16MM FERULE TM FIX					

ACCESSORIES - GLASS FIXINGS - sold as a pair

GF25/M8/50 SQU	9459502588302	25 DIA SQU GLASS FIXING PAIRS
----------------	---------------	-------------------------------

Ordering details

ACCESSORIES - DISC FIX & CONCEALED FIXING KITS

94000000 16706	DISK FIX KIT 25MM SF
94000000 16707	DISK FIX KIT 32MM SF
94000000 16703	DISK FIX KIT 25MM
94000000 16704	DISK FIX KIT 32MM
94000000 16705	CONCEALED FIXING KIT

Any questions? We would be happy to advise you.