

8050 Offset Square Entrance Pull Handles



Advantages at a glance

- 316 Marine Grade Stainless Steel
- Designed with your project's needs in mind
- High durability with concealed fixings
- Standard finishes: SSS and PSS
- Powdercoat and custom finishes available on request



AS1428 Compliant

dormakaba's Offset Square Entrance Pull Handles crafted with precision and excellence in mind, these handles are designed to elevate your space with their superior quality and attention to detail.

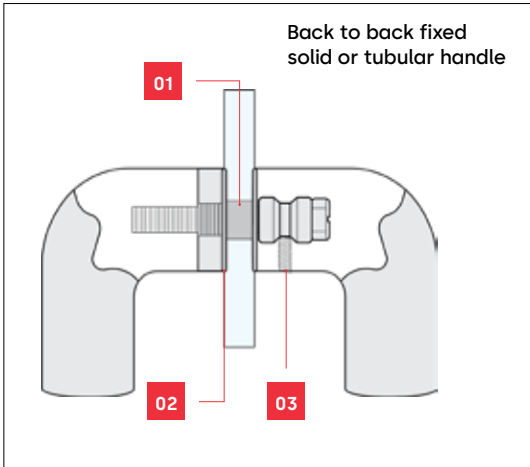
Made from premium 316 Marine Grade Stainless Steel, these handles are built to withstand the test of time, offering unmatched corrosion resistance for both indoor and outdoor use, even in high traffic areas. The offset square section design ensures effortless functionality, providing comfortable grip and ease of use.

Ideal for a variety of settings, from residential to commercial, these handles are versatile enough to be installed on glass, timber, and aluminium doors. Elevate your entrances with dormakaba's Offset Square Entrance Pull Handles and experience genuine quality that stands out in any space.

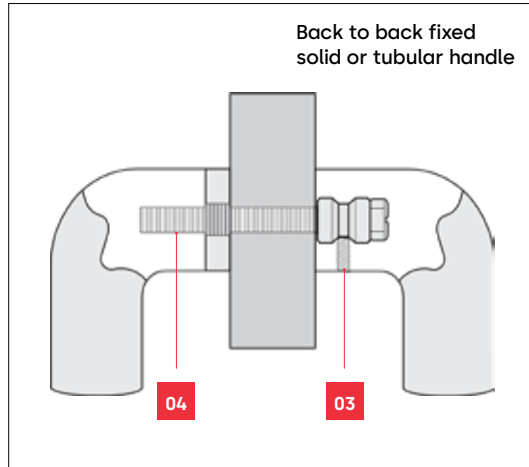
Refer to ordering details for a range of optional accessories to suit:

- Back to back extended fixing for timber doors
- Back to back fixing for glass doors
- Disc fixing for timber doors
- Disc fixing for glass doors

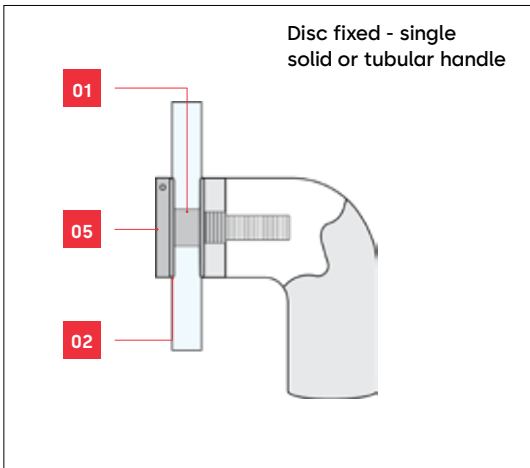
Fixing options



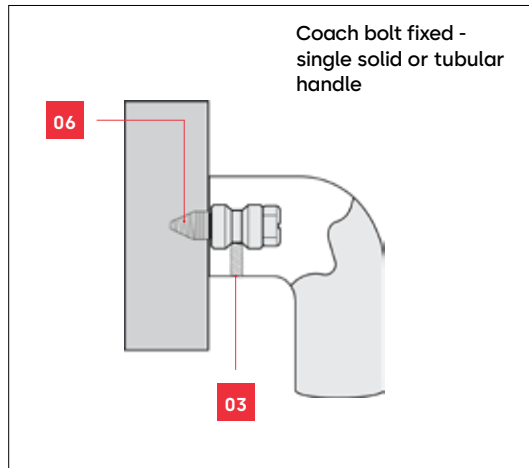
GD FIX - glass doors



TM FIX - timber or metal doors



D FIX - glass, metal or timber doors



C FIX - timber doors only

Note

Nylon spacers and washers are included with handle for glass door fixing option.

Legend

- 01 Spacer
- 02 Washer
- 03 Grub Screw
- 04 Bolt
- 05 Disc
- 06 Coach Bolt

TIMBER DOOR FIXING

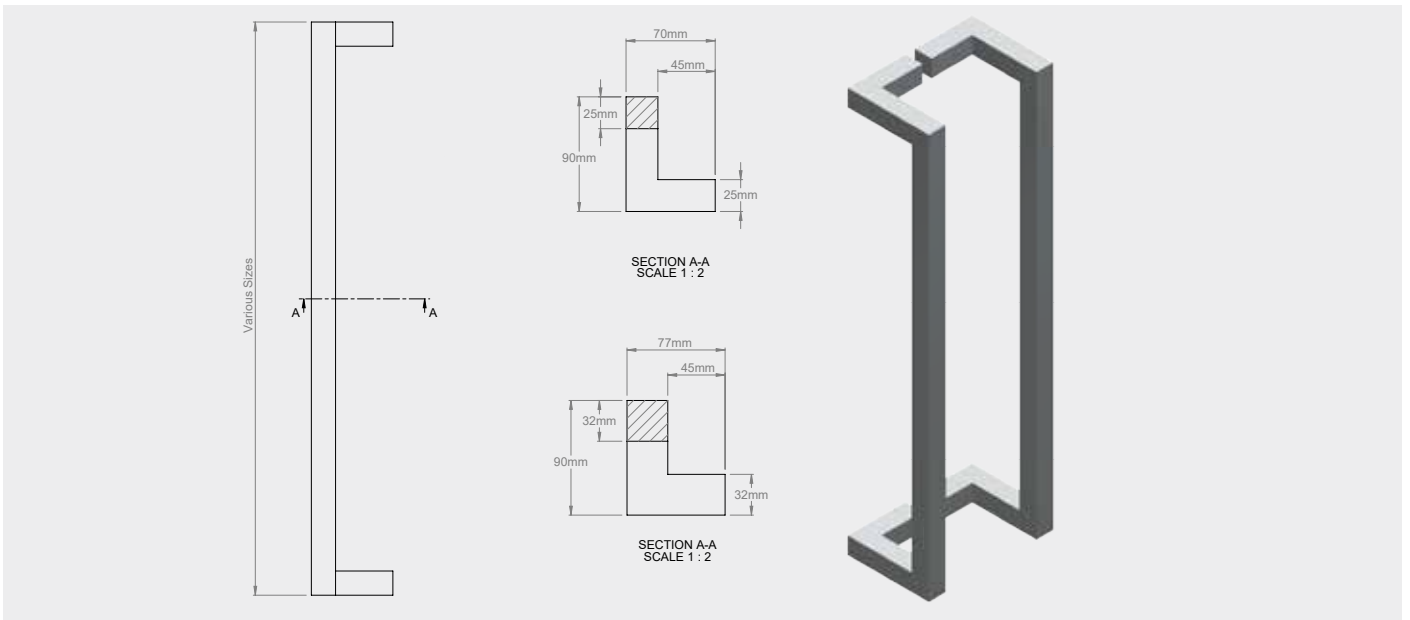
Material Size	Bolt Size
14mm Ø	5mm
16mm Ø	5mm
19mm Ø	8mm
25mm Ø	8mm
32mm Ø	8mm

METAL DOOR FIXING

Material Size	Bolt Size
14mm Ø	5mm
16mm Ø	5mm
19mm Ø	8mm
25mm Ø	8mm
32mm Ø	8mm

GLASS DOOR FIXING

Material Size	Bolt Size
14mm Ø	12mm Ø
16mm Ø	12mm Ø
19mm Ø	12mm Ø
25mm Ø	12mm Ø
32mm Ø	12mm Ø



8050 Offset Square dimensions

Ordering details

Item	Article Number	Description	Square Tube	Width	Length	Fixing Centers	Projection
BACK TO BACK FIXING							
B8050/400/25/SF	9400000016461	B8050/400/25 OA 425 CTC 400 SF	25mm	90mm	425mm	400mm	60mm
B8050/400/25/SSS	9458053534 101	B8050/400/25 OA 425 CTC 400 SSS	25mm	90mm	425mm	400mm	60mm
B8050/400/32/SF	9400000016462	B8050/400/32 OA 432 CTC 400 SF	32mm	90mm	432mm	400mm	65mm
B8050/400/32/SSS	9458053535 101	B8050/400/32 OA 432 CTC 400 SSS	32mm	90mm	432mm	400mm	65mm
B8050/600/25/SF	9400000016463	B8050/600/25 OA 625 CTC 600 SF	25mm	90mm	625mm	600mm	60mm
B8050/600/25/SSS	9458054734 101	B8050/600/25 OA 625 CTC 600 SSS	25mm	90mm	625mm	600mm	60mm
B8050/600/32/SF	9400000016464	B8050/600/32 OA 632 CTC 600 SF	32mm	90mm	632mm	600mm	65mm
B8050/600/32/SSS	9458054735 101	B8050/600/32 OA 632 CTC 600 SSS	32mm	90mm	632mm	600mm	65mm
B8050/800/25/SF	9400000016465	B8050/800/25 OA 825 CTC 800 SF	25mm	90mm	825mm	800mm	60mm
B8050/800/25/SSS	9458055814 101	B8050/800/25 OA 825 CTC 800 SSS	25mm	90mm	825mm	800mm	60mm
B8050/800/32/SF	9400000016466	B8050/800/32 OA 832 CTC 800 SF	32mm	90mm	832mm	800mm	65mm
B8050/800/32/SSS	9458055815 101	B8050/800/32 OA 832 CTC 800 SSS	32mm	90mm	832mm	800mm	65mm

ACCESSORIES - EXTENDED FIXINGS - sold as a pair

TM/M8/50	9459508058200	M8/50 FERULE HEAD BOLT TM FIX	<p>Note: When ordering extended fixings please use the below formula.</p> <p>Door thickness + 20mm for the Ferule + 10mm in to the other handle = round up to the nearest size offered.</p>
TM/M8/75	9459758078200	M8/75 FERULE HEAD BOLT TM FIX	
TM/M8/90	9400000012887	M8/90 BOLT & 16MM FERULE TM FIX	
TM/M8/100	9400000012888	M8/100 BOLT & 16MM FERULE TM FIX	
TM/M8/110	9459118118200	M8/110 BOLT & 16MM FERULE TM FIX	
TM/M8/120	9459128128200	M8/120 BOLT & 16MM FERULE TM FIX	
TM/M8/130	9459138138200	M8/130 BOLT & 16MM FERULE TM FIX	
TM/M8/150	9459158158200	M8/150 FERULE HEAD BOLT TM FIX	

ACCESSORIES - GLASS FIXINGS - sold as a pair

GF25/M8/50 SQU	9459502588302	25 DIA SQU GLASS FIXING PAIRS
GF32/M8/50 SQU	9459503288302	32 DIA SQU GLASS FIXING PAIRS

ACCESSORIES - GLASS FIXINGS - sold as a pair

GDF25/M8/50 PSS	9459502588102	25MM GLASS DISK FIX PSS PAIR M8 X 50MM
GDF25/M8/50 SSS	9459502588101	25MM GLASS DISK FIX SSS PAIR M8 X 50MM
GDF32/M8/50 PSS	9459503288102	32MM GLASS DISK FIX PSS PAIR M8 X 50MM
GDF32/M8/50 SSS	9459503288101	32MM GLASS DISK FIX SSS PAIR M8 X 50MM

Ordering details

ACCESSORIES - DISC FIX & CONCEALED FIXING KITS

9400000016706	DISK FIX KIT 25MM SF
9400000016707	DISK FIX KIT 32MM SF
9400000016703	DISK FIX KIT 25MM
9400000016704	DISK FIX KIT 32MM
9400000016705	CONCEALED FIXING KIT

Any questions? We would be happy to advise you.

dormakaba Australia | info.au@dormakaba.com | T 1800 675 411 | www.dormakaba.com.au
dormakaba New Zealand | info.nz@dormakaba.com | T 0800 436 762 | www.dormakaba.co.nz

Subject to change without notice 000225 | 10.24