

# Padlock and Enclosure Locking Solutions



# dormakaba Padlock Range

dormakaba offers a range of padlocks to suit a wide variety of applications, providing high levels of physical security combined with market-leading key control procedures.

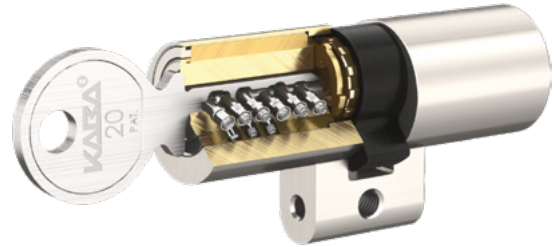
**Typical applications:**

- Roadside and railside cabinets
- Containers
- Telecommunications cabinets
- Inspection hatches and covers
- Portable buildings
- Vehicle doors
- Perimeter gates
- Switchgear control
- Plant and machinery lockout

# dormakaba Padlock Systems

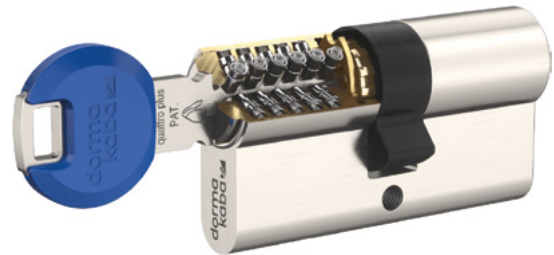
## Kaba 20

The engineering excellence of the kaba 20 cylinder is combined with the strong milled kaba key, which is easy to use as it can enter the cylinder either way. The controlled issue of duplicate keys affords high copy protection with copies only available direct from the dormakaba factory, thus giving our customers absolute confidence in the integrity of their locking system. The system complies to BS EN 1303 Grade 6, offering over 100 million key codes and extensive master keying.



## quattro plus

This high performance patent protected cylinder is suitable for large master key systems. The dormakaba quattro plus guarantees optimum protection against vandalism with the system being tested to BS EN 1303 Grade 6 and will withstand manipulation, bumping and drilling. The key can only be reproduced with specialist key milling machines due to its special milled design within the controlled dormakaba factory environment.



## expert plus

The dormakaba expert plus is a patented, highly secure reversible key locking system with Kitemark approval. Tested and approved by the BSI and MLA, it meets BS EN 1303 requirements for Key Related Security Grade 6. Duplicate keys may only be produced by authorised dormakaba dealers



## pextra Q

pextra Q is a high-security mechanical key system ideal for a wide range of applications, including residential, public, and industrial buildings. It features a patented double branch groove in the key, providing robust protection against unauthorized key duplication and various forms of tampering, such as drilling, picking, and bumping. The system is highly versatile, allowing customization with options like different numbers of tumbler pins and additional security elements. It complies with international security standards like EN 1303 and DIN 18252, ensuring a high level of protection and durability.



# High Security Padlock

## P4661 CEN 3



**Description:**

Suitable for universal indoor and outdoor use. High security applications including remote sites within the utility and infrastructure sectors, security and access control on control panels and enclosures.

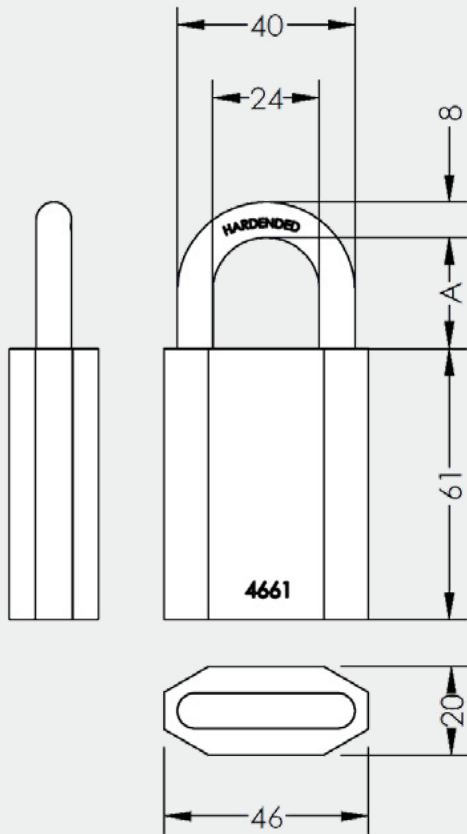
**Features:**

- 46 mm brass bodied padlock with stainless steel shackle.
- Chrome plated
- 8 mm diameter open shackle.
- Spring-loaded, self-locking and manual locking available
- Shackles available with 25mm, 60mm or 110 mm clearance
- EN 12320 Grade: 3 (CEN 3)
- Double-locking hardened stainless steel ball bearing.
- Uses a snowman cylinder
- Padlock Retention chain available

**PDS-018-03**

## Padlock Information

---



### Dimension A

- 25mm
- 60mm
- 110mm

### Available Patented Systems:

- quattro plus (K85)
- expert plus (K83)
- pextraQ (PXQ & PXQA)

### Available Legacy Systems:

- quattro Plus (K58)
- expert (K56)
- pextra+ (PXP & PXPA)

# High Security Padlock

## P6062 CEN 4



**Description:**

High security applications including remote sites within the utility and infrastructure sectors as well as general perimeter security and security on track side/road side enclosures and cabinets.

A key is required to open and lock the shackle.

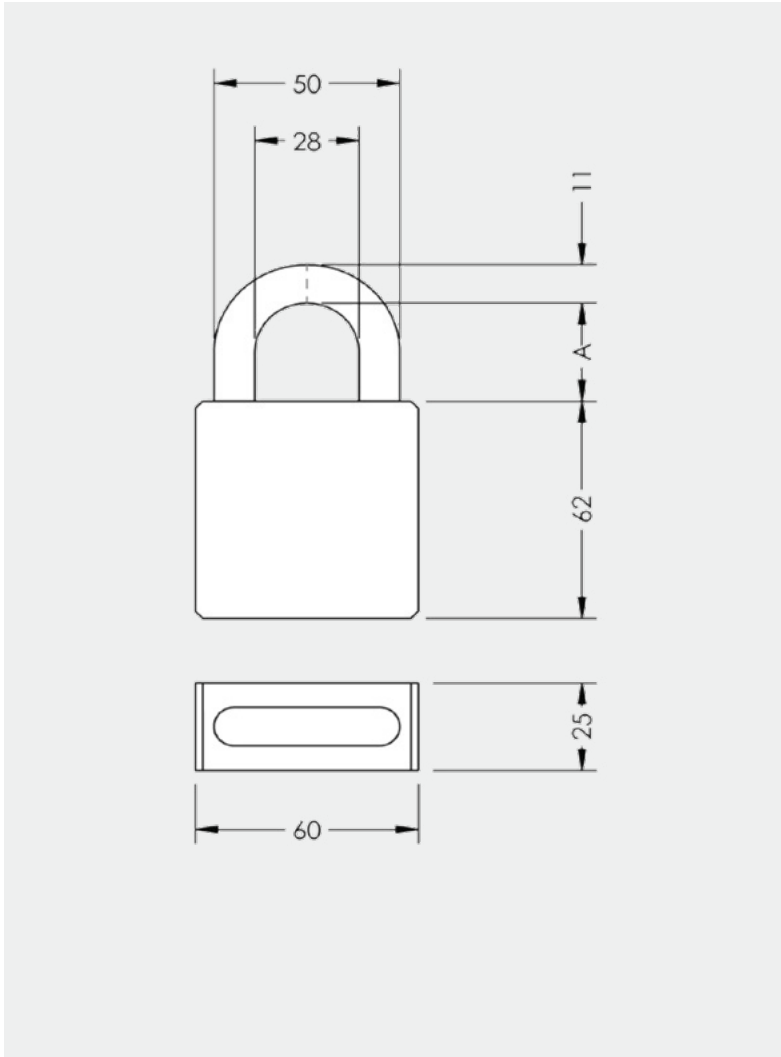
Suitable for universal indoor and outdoor use.



**Features:**

- 60 mm body - hardened steel padlock and shackle
- Chrome plated
- 11 mm diameter open shackle
- Shackles available with 28 & 50 mm clearance
- EN 12320 Grade 4 (CEN4)
- Double locking hardened stainless steel ball bearing
- Available in fixed and removable shackles
- Uses a Swedish oval cylinder
- LPCB approved (LPS 1654: Issue 1 SR2) with Key Systems pextra (+), expert (plus), Quattro plus (+) and Kaba 20
- Padlock Retention chain available separately

**PDS-019-03**



**Padlock Information**

---

**Dimension A**

- 28mm or 50mm

**Available Patented Systems:**

- Kaba 20 (K37)
- quattro plus (K85)
- expert plus (K83)
- pextra Q (PXQ & PXQA)

**Available Legacy Systems:**

- Kaba 20 (P1)
- quattro Plus (K58)
- expert (K56)
- pextra+ (PXP & PXPA)

# High Security IP68 Rated Padlock

## P6062 CEN 4



### Description:

High security applications including remote sites within the utility and infrastructure sectors as well as general perimeter security and security on track side/road side enclosures and cabinets.

A key is required to open and lock the shackle.

Suitable for universal indoor and outdoor use.

### Features:

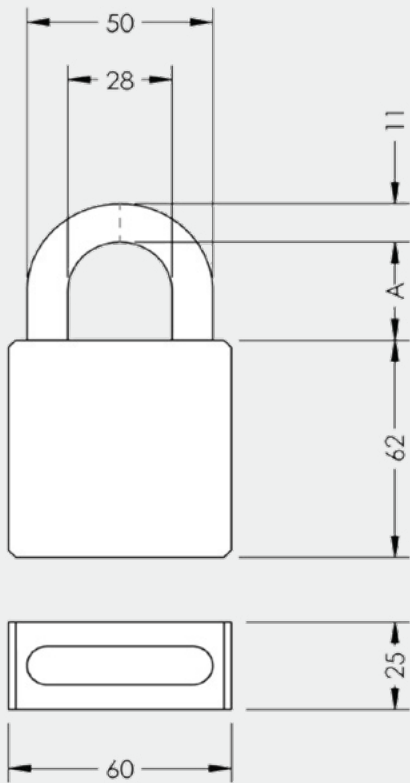
- 60 mm body - hardened steel padlock and shackle
- Chrome plated
- 11 mm diameter open shackle
- IP68 Standard: EN 60529:1991 + A1:2000 + A2:2013. IEC 60529:1989 + A1:1999 + A2:2013.
- Shackles available with 28 & 50 mm clearance
- EN 12320 Grade 4 (CEN4)
- Double locking hardened stainless steel ball bearing
- Uses a Swedish oval cylinder
- Padlock Retention chain available separately
- Rubber seal is delivered in black as standard

PDS-071-02



## Padlock Information

---



### Dimension A

- 28mm or 50mm

### Available Patented Systems:

- Kaba 20 (K37)
- quattro plus (K85)
- expert plus (K83)
- pextra Q (PXQ & PXQA)

### Available Legacy Systems:

- Kaba 20 (P1)
- quattro Plus (K58)
- expert (K56)
- pextra+ (PXP & PXPA)

# High Security Padlock

## P8065 CEN 5



**Description:**

High security applications including remote sites within the utility and infrastructure sectors as well as general perimeter security and security on track side/road side enclosures and cabinets.

A key is required to open and lock the shackle.

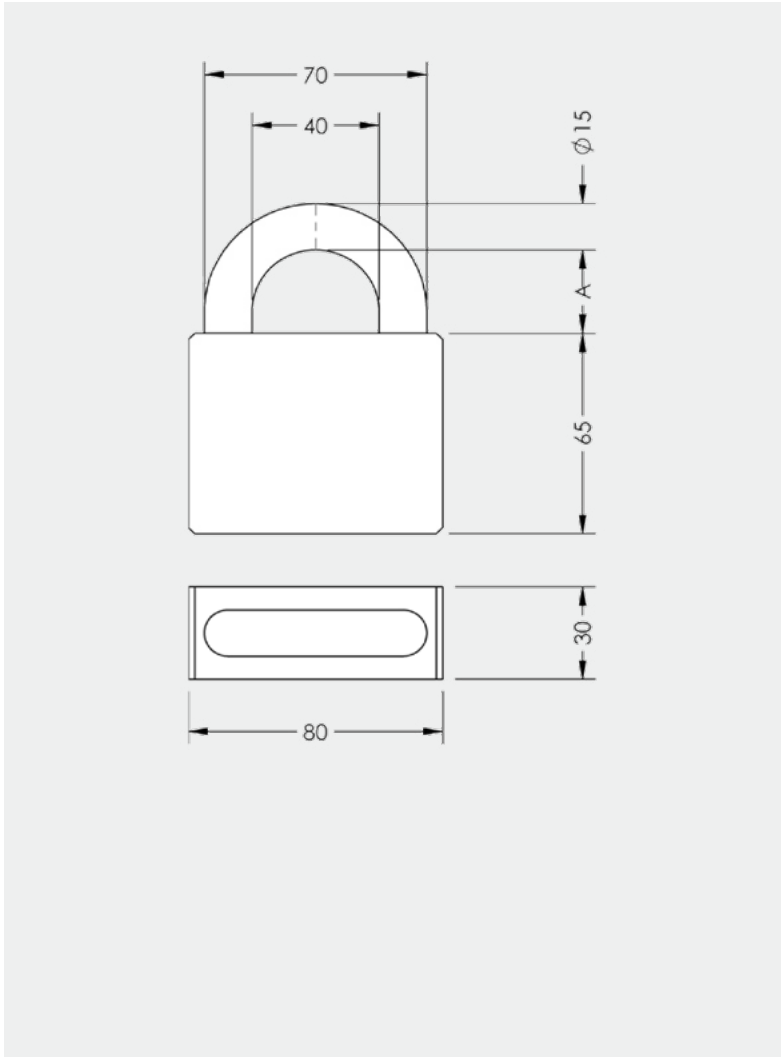
Suitable for universal indoor and outdoor use.



**Features:**

- 80mm hardened steel padlock and shackle
- Chrome plated
- 15mm diameter open shackle
- Available with a removable or fixed shackle
- Available with a 27mm or 50mm shackle clearance
- EN 12320 Grade 5 (CEN 5)
- Cylinder is protected by a 5mm thick hardened plate
- Double locking hardened stainless steel ball bearing
- Uses a Swedish oval cylinder
- LPCB approved (LPS 1654: Issue 1 SR3) with Key Systems expert(plus), quattro plus (+) and Kaba 20
- Padlock Retention chain available separately

**PDS-020-03**



**Padlock Information**

---

**Dimension A**

- 27mm or 50mm

**Available Patented Systems:**

- Kaba 20 (K37)
- quattro plus (K85)
- expert plus (K83)
- pextra Q (PXQ & PXQA)

**Available Legacy Systems:**

- Kaba 20 (P1)
- quattro Plus (K58)
- expert (K56)
- pextra+ (PXP & PXPA)

# High Security IP68 Rated Padlock

## P8065 CEN 5



### Description:

High security applications including remote sites within the utility and infrastructure sectors as well as general perimeter security and security on track side/road side enclosures and cabinets.

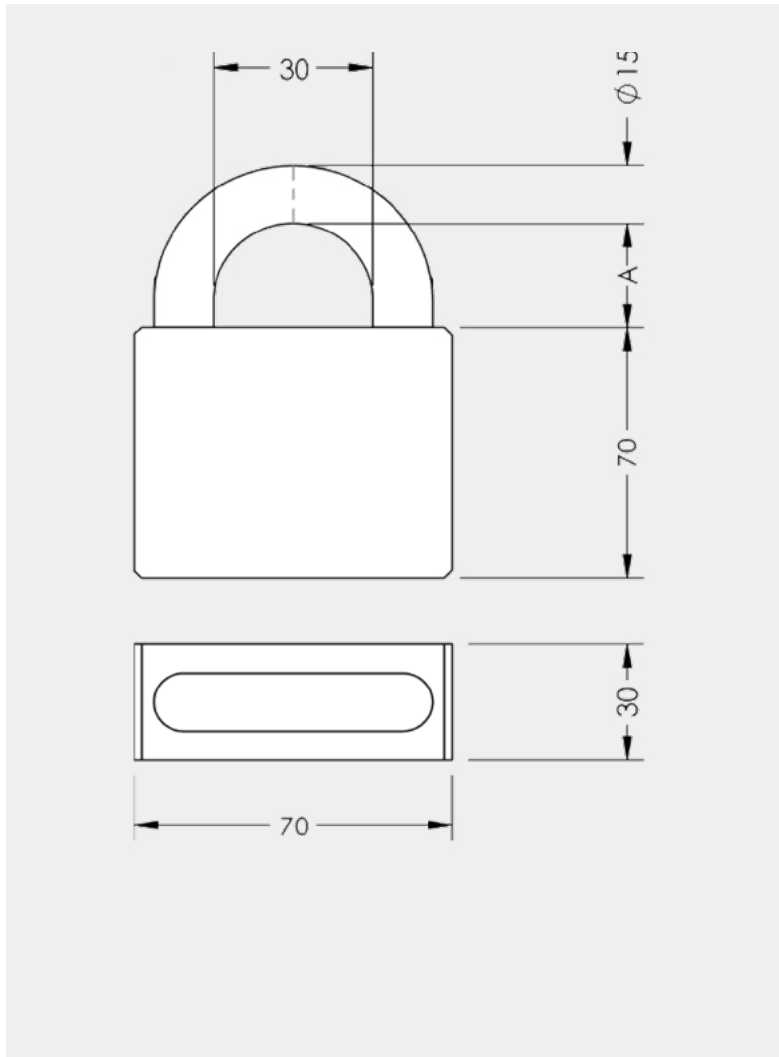
A key is required to open and lock the shackle.

Suitable for universal indoor and outdoor use.

### Features:

- 70mm hardened steel padlock and shackle
- Chrome plated
- 15mm diameter open shackle
- IP68 Standard: EN 60529:1991 + A1:2000 + A2:2013. IEC 60529:1989 + A1:1999 + A2:2013.
- Available with a 27mm or 50mm shackle clearance
- EN 12320 Grade 5 (CEN 5)
- Double locking hardened stainless steel ball bearing
- Uses a Swedish oval cylinder
- LPCB approved (LPS 1654: Issue 1 SR3) with Key Systems expert (plus), quattro plus (+) and Kaba 20
- Padlock Retention chain available separately
- Rubber seal is delivered in black as standard

**PDS-072-02**



## Padlock Information

---

### Dimension A

- 27mm or 50mm

### Available Patented Systems:

- Kaba 20 (K37)
- quattro plus (K85)
- expert plus (K83)
- pextra Q (PXQ & PXQA)

### Available Legacy Systems:

- Kaba 20 (P1)
- quattro Plus (K58)
- expert (K56)
- pextra+ (PXP & PXPA)

# High Security Padlock

## P8093 CEN 6



**Description:**

Maximum Security applications including remote sites within the utility and infrastructure sectors as well as general perimeter security, and security on track side/road side enclosures and cabinets.

A key is required to open and lock the shackle.

Suitable for universal use indoor and outdoor.



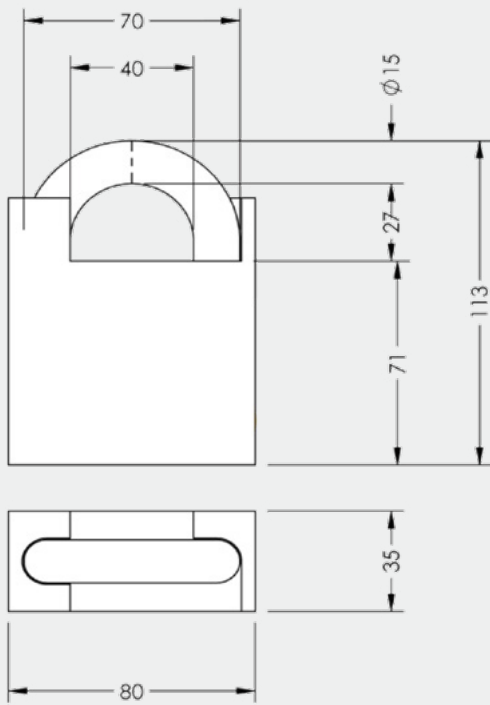
**Features:**

- 80mm hardened steel padlock and shackle
- Electroless nickel plated
- 15mm diameter closed shackle
- Available with a removable or fixed shackle
- Available with a 27mm vertical clearance shackle
- EN 12320 Grade 6 (CEN 6) – the highest grade possible
- Cylinder is protected by an 11mm thick hardened plate.
- Double locking hardened stainless steel ball bearing.
- Uses a standard 30mm euro profile single-cylinder
- LPCB approved (LPS 1654: Issue 1 SR3) with Key Systems expert and quattro plus
- Padlock Retention chain available separately

**PDS-021-03**

## Padlock Information

---



### Dimension A

- 27mm

### Available Patented Systems:

- Kaba 20 (K37)
- quattro plus (K85)
- expert plus (K83)
- pextra Q (PXQ & PXQA)

### Available Legacy Systems:

- Kaba 20 (P1)
- quattro Plus (K58)
- expert (K56)
- pextra+ (PXP & PXPA)

# High Security IP68 Rated Padlock

## P8093 CEN 6



**Description:**

Maximum Security applications including remote sites within the utility and infrastructure sectors as well as general perimeter security, and security on track side/road side enclosures and cabinets.

A key is required to open and lock the shackle.

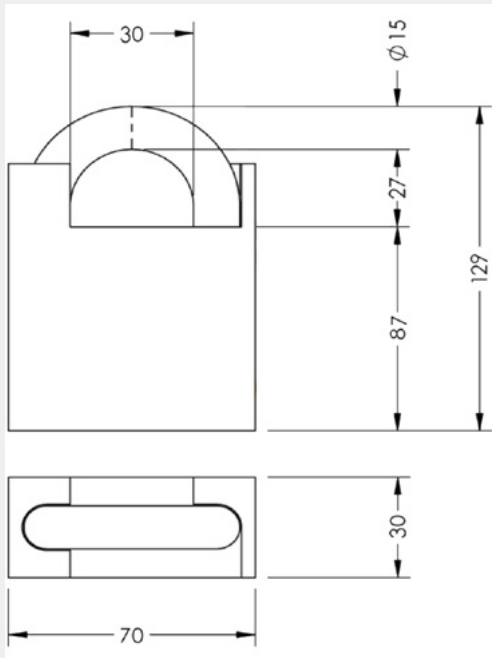
Suitable for universal use indoor and outdoor.

**Features:**

- 70mm hardened steel padlock and shackle
- Electroless nickel plated
- 15mm diameter closed shackle
- IP68 Standard: EN 60529:1991 + A1:2000 + A2:2013. IEC 60529:1989 + A1:1999 + A2:2013
- Available with a 27mm vertical clearance shackle
- EN 12320 Grade 6 (CEN 6) – the highest grade possible
- Double locking hardened stainless steel ball bearing.
- Uses a Swedish Oval cylinder
- Padlock Retention chain available separately
- Rubber seal is delivered in black as standard

**PDS-073-02**





## Padlock Information

---

### Available Patented Systems:

- Kaba 20 (K37)
- quattro plus (K85)
- expert plus (K83)
- pextra Q (PXQ & PXQA)

### Available Legacy Systems:

- Kaba 20 (P1)
- quattro Plus (K58)
- expert (K56)
- pextra+ (PXP & PXPA)

# High Security Padlock Enclosure Guard



**Description:**

High quality guard for high security applications including remote sites within the utility and infrastructure sectors.

A key is required to open and lock the shackle.

Suitable for universal indoor and outdoor use.

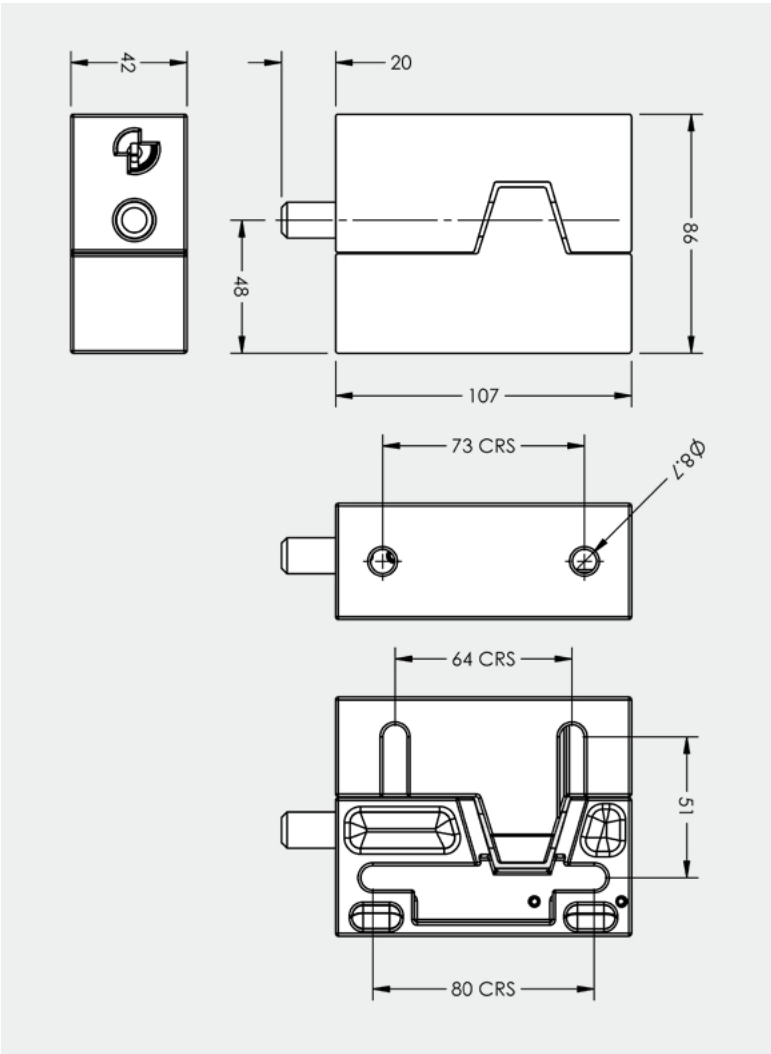
**Applications**

- Telecommunication cabinets
- Roadside cabinets & enclosures
- Infrastructure enclosures
- Utility enclosures
- Rail and Track-side enclosures/cases/cabinets
- Site storage containers
- Security doors
- Mesh cages
- Security kiosks
- Containers
- Portable buildings

**Features:**

- 98 mm Solid stainless steel body
- 13 mm stainless steel locking bolt
- Key retained when unlocked, ensures device is not left open
- Successful history, tried and tested by various third parties

**PDS-016-03**



## Padlock Information

---

### Dimension A

- 28mm or 50mm

### Available Patented Systems:

- Kaba 20 (K37)
- quattro plus (K85)
- expert plus (K83)

### Available Legacy Systems:

- Kaba 20 (P1)
- quattro Plus (K58)
- expert (K56)

# High Security Padlock Thorlock



**Description:**

High security solution designed to deter the most determined of unauthorised attack.

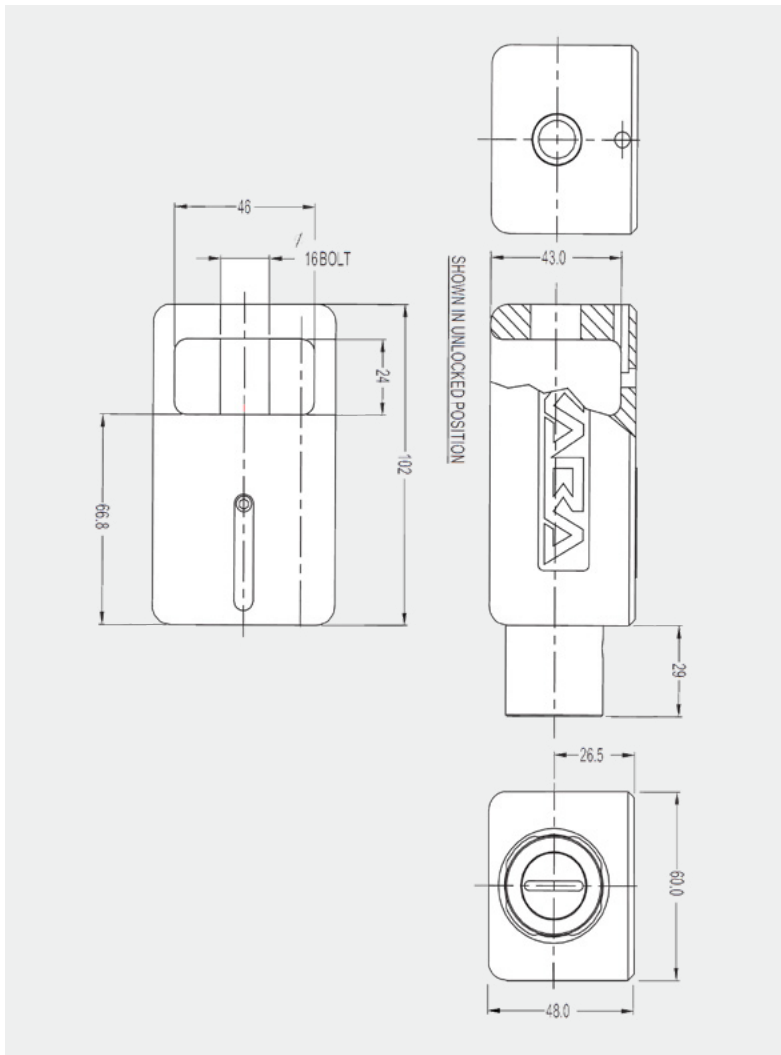
Suitable for use on remote sites within the utility and infrastructure sectors. dormakabas Thorlock protects vulnerable padlock shackles,

inspection hatches and covers, vehicle doors and containers.

**Features:**

- 48mm solid stainless-steel body.
- 16mm stainless steel locking bolt.
- Cylinder is protected by a spinning guard.
- Key retained when unlocked, ensures device is not left open.
- LPCB approved (LPS1175 SR4) when used with approved security products.
- EN 12320 Grade 4 (CEN 4)

**PDS-017-03**



## Padlock Information

---

### Available Patented Systems:

- Kaba 20 (K37)
- quattro plus (K85)
- expert plus (K83)

### Available Legacy Systems:

- Kaba 20 (P1)
- quattro Plus (K58)
- expert (K56)

# Security Padlock

## 2001



**Description:**

Suitable for universal indoor and outdoor use. A key is required to open and lock the shackle. High quality padlock for light to medium security applications including remote sites within the utility and infrastructure sectors.

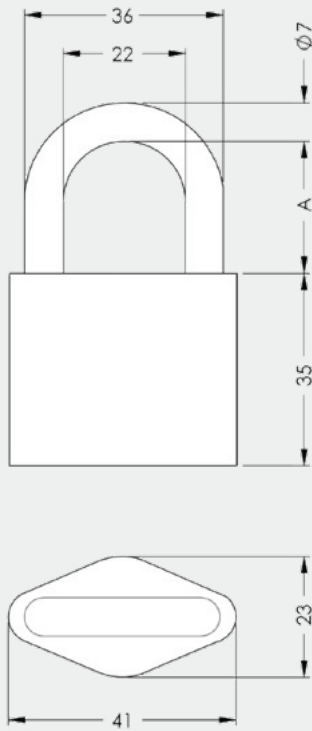
**Features:**

- 41mm brass bodied padlock
- Nickel plated
- 7mm diameter open shackle
- 6mm diameter stainless steel open shackle available upon request
- Shackles available in stainless steel or hardened
- Shackle Clearances available: 24mm, 40mm, 70mm, 100mm.
  - 24mm & 40mm shackles are available in Stainless Steel & Hardened Steel options.
  - 70mm & 100mm shackles are available in Stainless Steel only.

**PDS-022-02**

## Padlock Information

---



A = 24 / 40 / 70 or 100 mm

### Dimension A

- 28mm
- 40mm
- 70mm
- 100mm

### Available Patented Systems:

- Kaba 20 (K37)
- quattro plus (K85)
- expert plus (K83)

### Available Legacy Systems:

- Kaba 20 (P1)
- quattro Plus (K58)
- expert (K56)

# Security Padlock

## 2010



**Description:**

Suitable for universal indoor and outdoor use. High quality padlock for medium to high security applications including remote sites within the utility and infrastructure sectors.

**Features:**

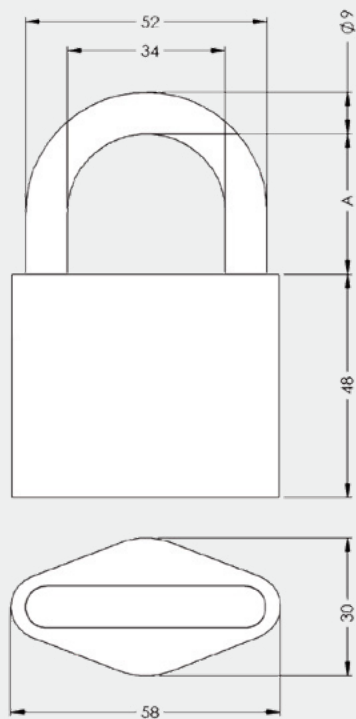
- 58mm brass bodied padlock
- Nickel plated
- 9mm diameter open shackle
- Shackles available in stainless steel or hardened
- Shackles available with 30 or 50 mm clearance

**PDS-023-02**



## Padlock Information

---



### Dimension A

- 30mm
- 50mm

### Available Patented Systems:

- Kaba 20 (K37)
- quattro plus (K85)
- expert plus (K83)

### Available Legacy Systems:

- Kaba 20 (P1)
- quattro Plus (K58)
- expert (K56)

## Retention chain ordering



## Padlock retention chain

- Helps ensure padlock is not mislaid or lost from installation when unlocked
- Length 500mm. Link diameter 5mm
- Not to be used as part of the security installation
- Supplied with built padlocks or as separate item

| Part number | Description                                   |
|-------------|---|
| 23005961    | Single Tube Chain P4661 Dia Link 5mm x L500mm |
| 23005962    | Single Tube Chain P6062 Dia Link 5mm x L500mm |
| 23005963    | Single Tube Chain P8065 Dia Link 5mm x L500mm |
| 23005964    | Double Tube Chain P4661 Dia Link 5mm x L500mm |
| 23005965    | Double Tube Chain P6062 Dia Link 5mm x L500mm |
| 23005966    | Double Tube Chain P8065 Dia Link 5mm x L500mm |

# dormakaba Cleaner



Item Reference: 8040 200

200ml aerosol

Item Reference: 8040 060

60ml pump spray

Due to higher environmental regulations for lubrication and cleaning agents, dormakaba took the opportunity to improve the formula for the dormakaba cleaner. The new improved formula has replaced the existing dormakaba cleaner and will replace GEGE spray when stocks are fully depleted. The new spray has the following features:

- Decades of practical experience
- Physical characteristics laboratory tested
- Low viscosity point, can be used at low temperatures
- Long lasting lubrication film, no thickening of the cleaner.
- Extraordinary corrosion resistance for steel, nickel siver and brass
- Suitable for all dormkaba products, as well for mechatronic products.
- Silicon-free
- Barium-free
- Two sizes available 60/200ml
- 60ml cans are pump spray (no gas aerosol)
- The packaging of the 60ml can be used as a counter display.
- The maintenance of dormakaba cylinders are very simple in normal use cylinders should be sprayed every 6 to 12 months.

dormakaba Cleaner is a white spirit based product that will flush out any dirt and grit from the cylinder, but most importantly it does not contain any form of solids which can stick to the components within the cylinder and attract dust, fluff and dirt, which over a period of time may cause failure of the cylinder due to clogging.

**Please never use oil, graphite or other products such as WD-40 and any other cleaning spray or agent containing oily substances. dormakaba spray is environmentally-safe, a grease-free lubrication and cleaning agent for metal care, with a natural gas mix of dormakaba propane/butane, with no ozone harming effects.**

## COSHH Details upon Request

Should you have any questions please do not hesitate to contact our support office on 0870 000 5625.

---

**Any questions? We would be happy to assist you and look forward to hearing from you.**

**dormakaba UK & Ireland** | Lower Moor Way | Tiverton | Devon | T +44 (0)870 000 5625 | [info.gb@dormakaba.com](mailto:info.gb@dormakaba.com) | [www.dormakaba.co.uk](http://www.dormakaba.co.uk)