



TS 97 FL XEA
TS 97 FLR-K XEA
EN 3-6

Fail-safe slide
channel door closers
in XEA design

For freely movable fire and smoke doors and secure closure in the event of a fire

The TS 97 FL XEA in XEA design for door widths up to 1,400 mm is a hold-open system with fail-safe for a door opening angle of > 0° that is used as a hold-open system along with a smoke detector system (e.g. RMZ XEA). The TS 97 FLR-K XEA is used as a complete solution with fail-safe for a door opening angle of > 0° including a smoke detector system.

For both systems, the door is freely movable thanks to fail-safe. The door is securely locked by the door closer in the event of an alarm or during power failure.

ISO 9001 certified.

Benefits – point by point

For trade

- Optimum rounding off of the product range.
- Simple material planning due to a clear programme structure.

For fitters

- Quick, easy installation.
- Flexible operation with DIN-left and DIN-right use, as well as installation on door leaf and lintel.

For planners

- Covers a wide range of applications for door widths up to 1,400 mm.
- Compliance with statutory requirements for barrier-free building thanks to the proven EASY OPEN technology – in accordance with DIN 18040 and DIN SPEC 1104 (CEN/TR 15894).
- Universally suitable for single-leaf or double-leaf doors.
- Uniform appearance in the dormakaba XEA design.

For the end user

- Intuitive use of the door – fail-safe is put into force on the first door operation irrespective of the door opening angle.
- Unresistant opening of doors in the area of preventive fire protection.
- Highest application security.
- High comfort of use and fully-controlled, reliable closing with adjustable latching action

F Certificate of suitability

TS 97 FL XEA

The TS 97 FL XEA has been tested and certified as per EN 1155 by the MPA NRW testing centre in Dortmund. A certificate of suitability is required for the respective fire or smoke door if the TS 97 FL XEA is fitted in lintel mounting on the opposite hinge side.

TS 97 FLR-K XEA

The TS 97 FLR-K XEA has been tested and certified as per EN 1155 by the MPA NRW testing centre in Dortmund. Approval as hold-open system according to the general design certification from DIBt, Berlin. Acceptance inspection mandatory.

Note

According to the general requirements and test specifications for the approval process for hold-open systems by the DIBt (Institut für Bautechnik, German Institute for Construction Technology), Berlin, it is mandatory to use a manual release pushbutton (e.g. dormakaba HT) for free-swing door closers. This button must be red and bear the inscription "Close door". The button must be directly next to the shutter and must not be covered by the door when opened.

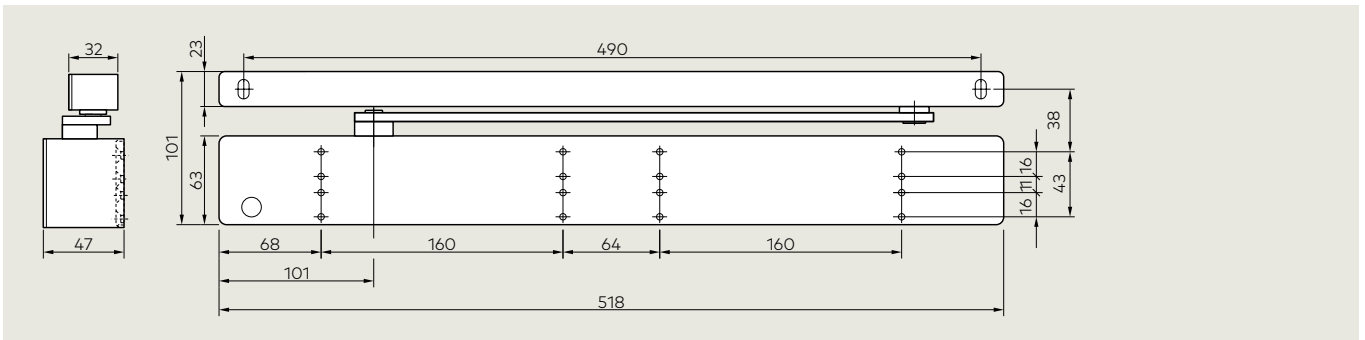
Data and features		TS 97 FL XEA	TS 97 FLR-K XEA
Continuously adjustable closing force	Size	EN 3–6	EN 3–6
General doors	1,400 mm	●	●
Fire and smoke doors	≤ 1,400 mm	●	●
Same design for DIN-L (left-handed door) and DIN-R (right-handed door)		●	●
Slide channel		●	●
Closing time continuously adjustable using valve		●	●
Latching action continuously adjustable using valve		●	●
Mechanical cushioned limit stay		○	○
Fail-safe from a door opening angle of > 0°		●	●
Weight in kg		5.2	5.7
Dimensions in mm (without slide channel)	Length	518	518
	Installation depth	47	47
	Height	63	63
Door closers tested in accordance with BS EN 1154		●	●
Hold-open system tested in accordance with BS EN 1155		●	●
Hold-open system tested in accordance with BS EN 14637		●	●
CE-Identification for construction products		●	●
Functions	Smoke detector	–	●
	Trigger element	●	●
	Power supply	–	●
Smoke detection	Photoelectric (optical)	–	●
Connection to other detectors		–	●
Total power input (max.) for additional detectors in W		–	7.8
LED indicators	Alarm	–	●
	Operation	–	●
	Maintenance	–	●
	Contamination	–	●
Input voltage		24 V DC ±15%	230 V AC +10%/–15%
Output voltage		–	24 V DC
Power consumption in W		3	14.8
Potential-free change-over contact Low voltage (SELV)		–	24 V AC/DC 1 A
Restore	Manual reset	–	●
Connections for external manual release device		–	●
Protection type		IP 54	IP 20

● Yes – No ○ Option

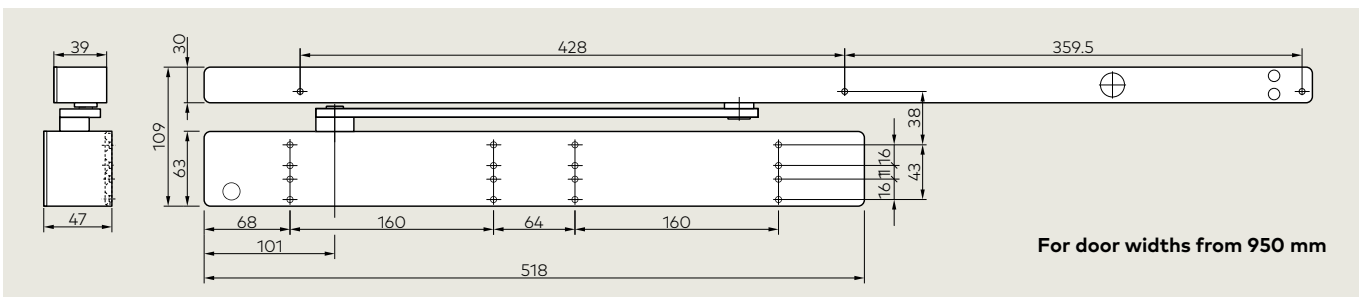
TS 97 FLR-K XEA

The smoke detector unit must be replaced after eight years according to BS EN 14677. Once the replacement deadline is reached, this is shown by a constantly glowing LED light.

TS 97 FL XEA

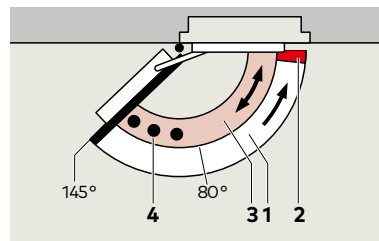


TS 97 FLR-K XEA

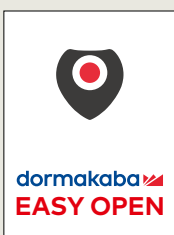


Fail-safe for door opening angles > 0°

When the door is opened, fail-safe is activated for a door opening angle of > 0°. Fail-safe enables an easy walking through the door as only the resistance of the door hinges counteracts for opening. The door remains freely movable and is not automatically closed, which is a relief when walking through doors in heavily frequented areas. In the event of fire or a power failure, the door is securely closed by the door closer. It is used for the securing of fire and smoke doors as well as common doors in old-age homes, centres for the handicapped, public buildings, e.g. educational institutions, and hospitals.



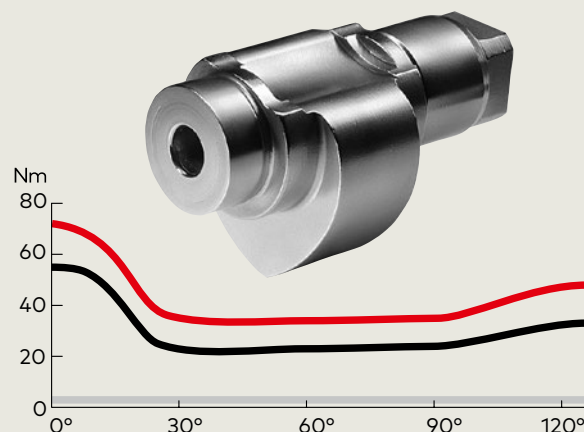
- 1 Fully controlled closing with adjustable speed (without power)
- 2 (Continuously) adjustable latching action
- 3 Fail-safe area
- 4 Cushioned limit stay



DIN SPEC 1104
CEN TR 15894

GERMAN
INDUSTRIAL
STANDARD
(DIN) 18040

For dormakaba free-swing door closers with EASY OPEN technology, the heart-shaped cam significantly reduces the opening torque to be overcome.

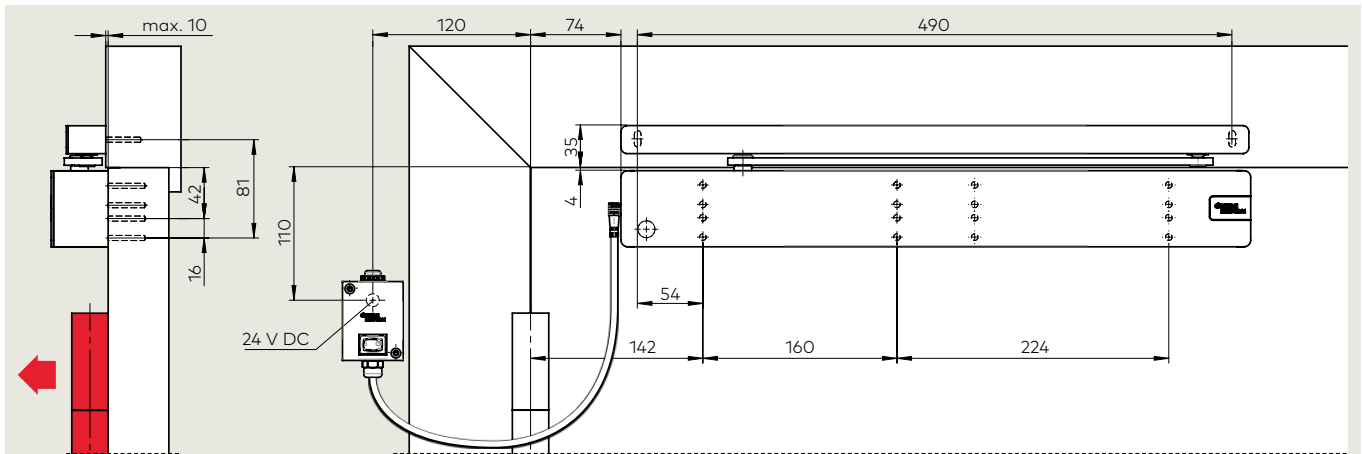


Torque characteristics of a slide channel door closer TS 97 FL XEA (size EN 3–6, max. closing force adjustment)

- Opening torque
- Closing torque

— TS 97 FL XEA free-swing door closer

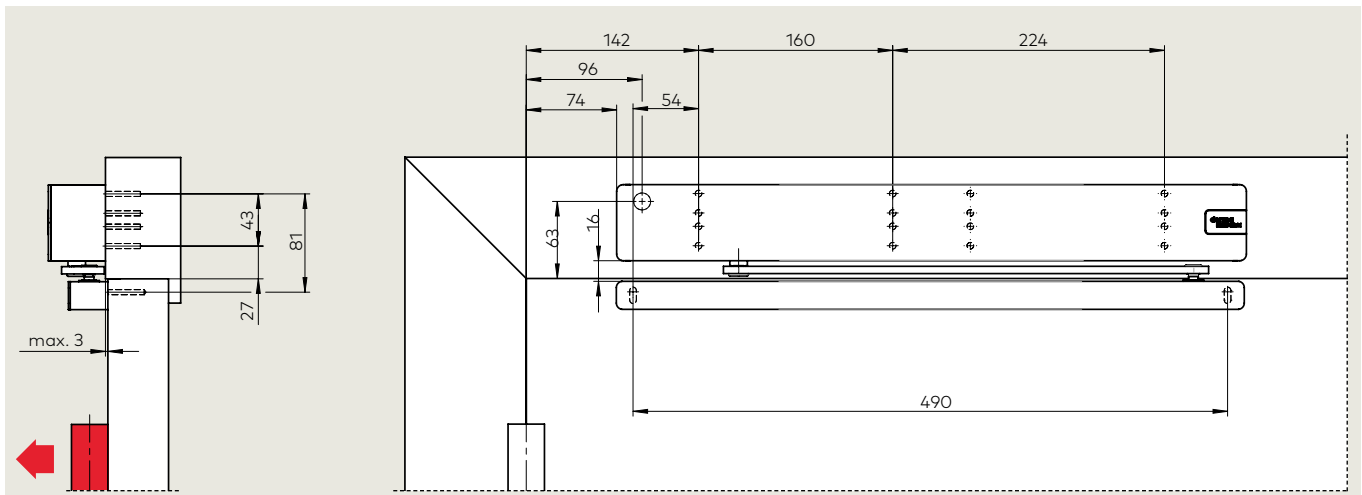
TS 97 FL XEA – Application and installation



Note: The distribution box can be omitted if power is supplied via the door leaf (using KÜ/LK 12).

Door closer **TS 97 FL XEA**, door-leaf mounting on hinge side

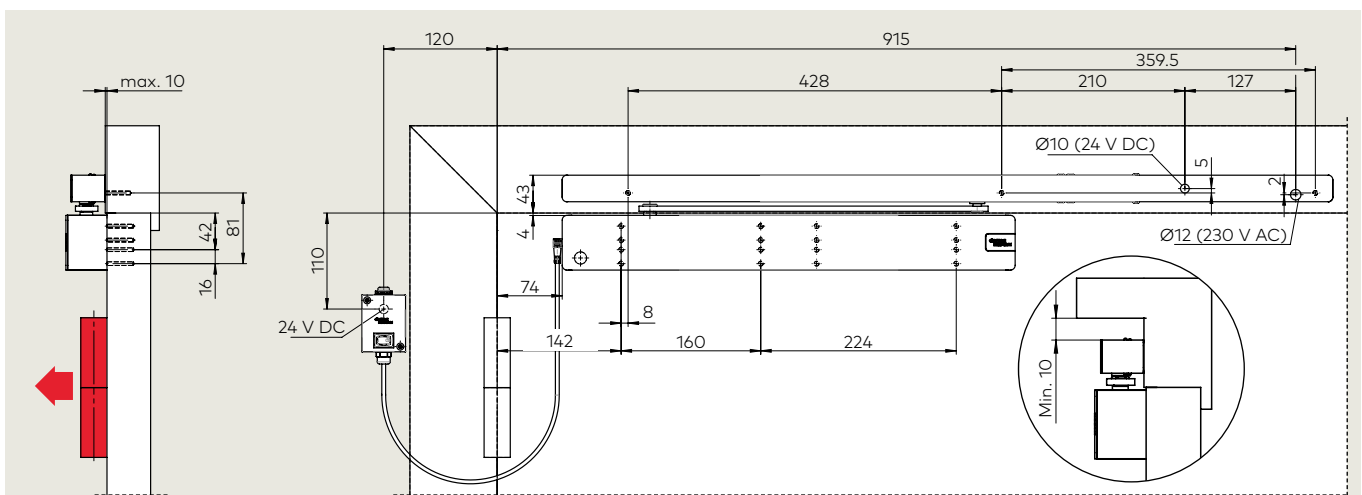
Examples: DIN-L door, DIN-R door; mirror image



Door closer **TS 97 FL XEA**, lintel mounting on hinge side

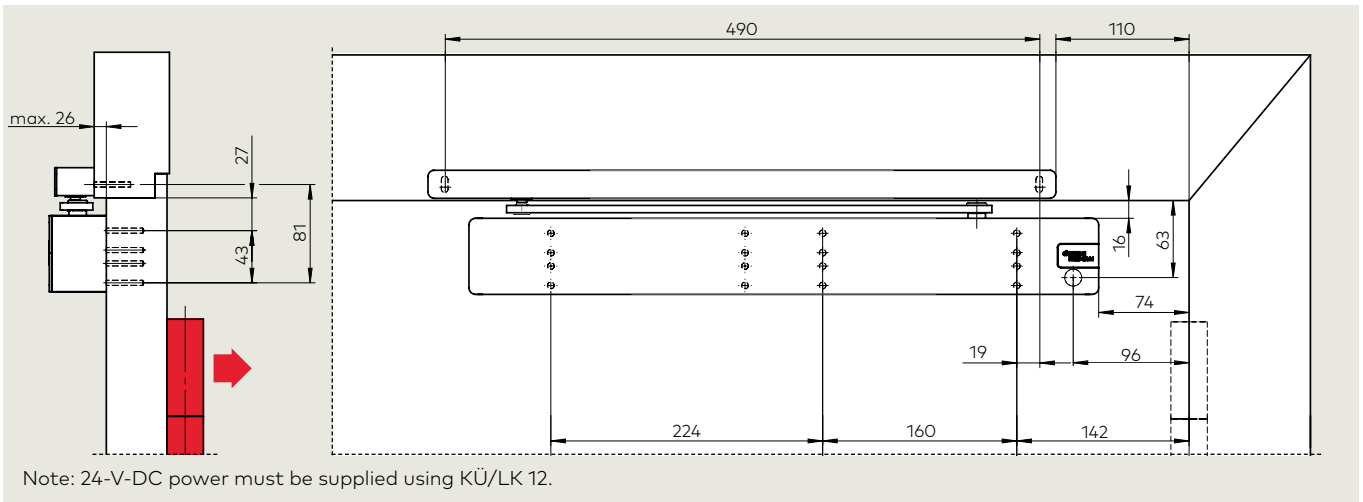
Examples: DIN-L door, DIN-R door; mirror image

TS 97 FLR-K XEA – Application and installation



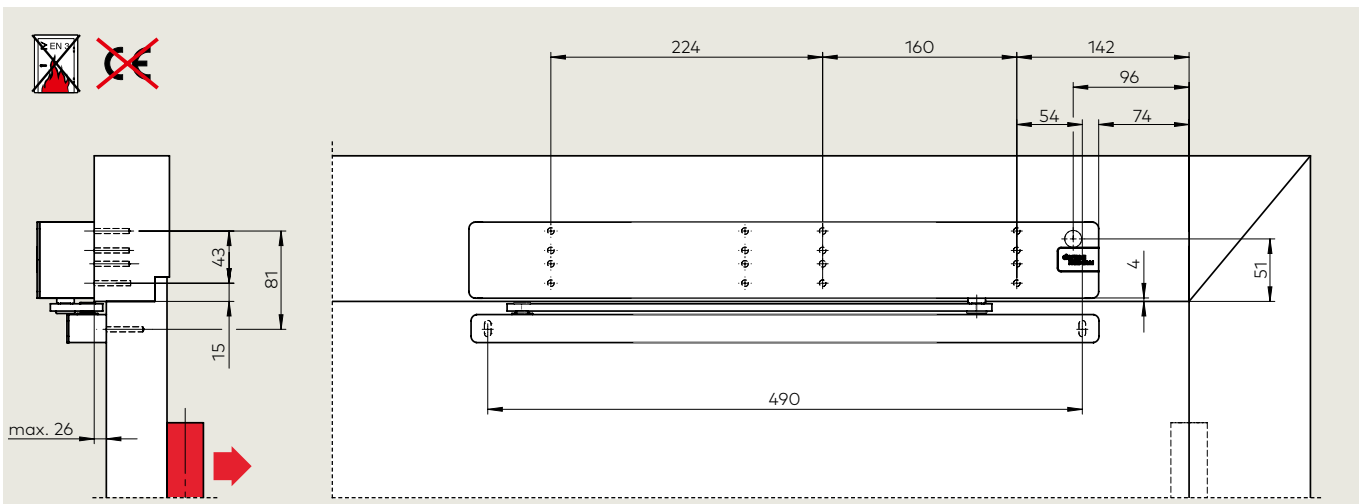
Door closer **TS 97 FLR-K XEA**, door-leaf mounting on hinge side

Examples: DIN-L door, DIN-R door; mirror image



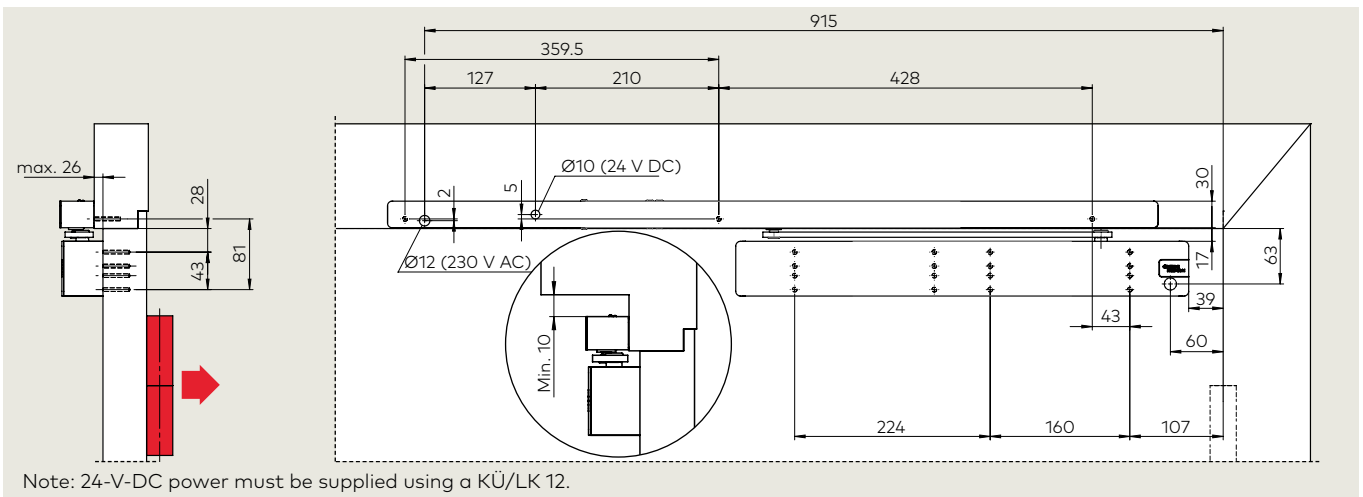
Door closer **TS 97 FL XEA**, door-leaf mounting on opposite hinge side

Examples: DIN-L door, DIN-R door; mirror image



Door closer **TS 97 FL XEA**, lintel mounting on opposite hinge side

Examples: DIN-L door, DIN-R door; mirror image



Door closer **TS 97 FLR-K XEA**, door-leaf mounting on opposite hinge side

Examples: DIN-L door, DIN-R door; mirror image

TS 97 FL XEA – Use on double-leaf doors on the hinge side

The modular TS 98 GSR XEA system also facilitates the use of TS 97 FL XEA EN 3–6 on the active door leaf.

When the door is opened, fail-safe is activated for a door opening angle of $> 0^\circ$ on the active door leaf. The door remains freely movable and is not closed automatically, which is a relief when walking through doors in heavily frequented areas. The GSR system ensures that double-leaf doors are closed in the right order: first the passive door leaf, then the active one. The push rods clamping system that is independent of the hydraulics of the door closer works with an overload protection. The trigger mechanism has been integrated in the slide channel.

TS 97 FL GSR XEA standard version – door coordinator with fail-safe on the active door leaf

The GSR system ensures that double-leaf doors are closed in the right order: first the passive door leaf, then the active one.

TS 97 FL GSR-EMF 1 XEA – door coordinator with fail-safe on the active door leaf and electromechanical hold-open of the passive door leaf

The GSR-EMF 1 XEA system ensures the closing of double-leaf doors in the correct order: first the passive door leaf, then the active one. It also enables the combined hold-open mechanism of the door leaves. The passive door leaf can be set to a hold-open point between 80° and 130° , the active door leaf can be set using the door coordinator at any angle up to max. 145° .

In the event of an alarm or during power failure, the hold-open mechanism is revoked and the door coordinator ensures the closing of door leaves in the correct order.

The actuation is done through external smoke detectors with integrated power pack (e.g. RMZ in XEA design). The RM-N can be connected as second and third detector. Thanks to the adjustable disengagement force (no tools necessary), the hold-open mechanism can easily also be triggered manually.

Note

The maximum door opening angle is always the hold-open point of the passive door leaf – set door stop.

TS 97 FL GSR-EMR 1 XEA – door coordinator with fail-safe on the active door leaf, electromechanical hold-open of the passive door leaf and integrated smoke detector with integrated power pack.

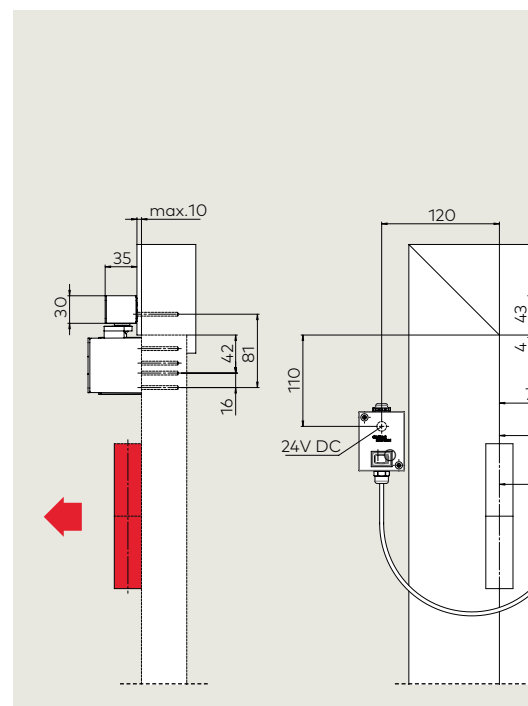
The GSR-EMR 1 XEA system ensures the closing of double-leaf doors in the correct order: first the passive door leaf, then the active one. It also enables the combined hold-open mechanism of the door leaves. The passive door leaf can be set to a hold-open point between 80° and 130° , the active door leaf can be set using the door coordinator at any angle up to max. 145° . The hold-open mechanism is revoked in the event of fire or during power failure.

The door coordinator ensures the closing of door leaves in the correct order. The actuation for GSR-EMR XEA is done using a smoke detector with integrated power pack integrated in the door coordinator. The RM-N can be connected as second and third detector. Thanks to the adjustable disengagement force (no tools necessary), the hold-open mechanism can easily also be triggered manually.

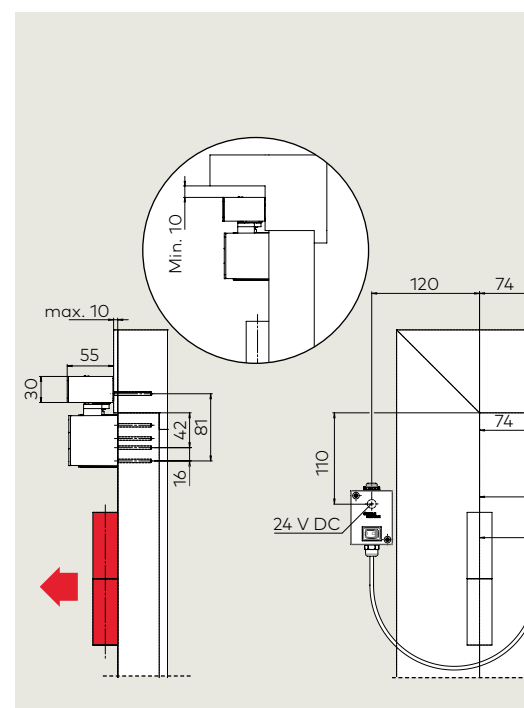
Note

The maximum door opening angle is always the hold-open point of the passive door leaf – set door stop.

The smoke detector unit must be replaced after eight years according to BS EN 14677. Once the replacement deadline is reached, this is shown by a constantly glowing LED light.



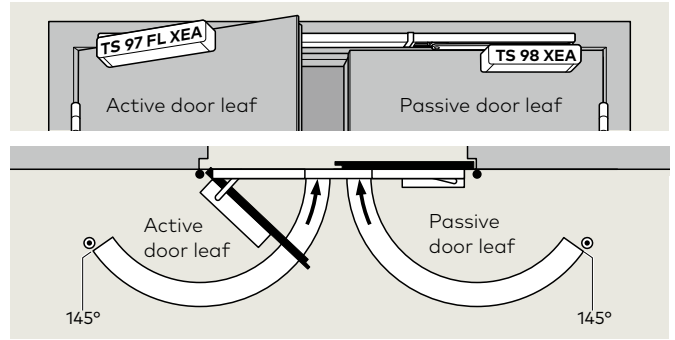
TS 97 FL GSR-EMF 1 XEA, hinge side



TS 97 FL GSR-EMR 1 XEA, hinge side

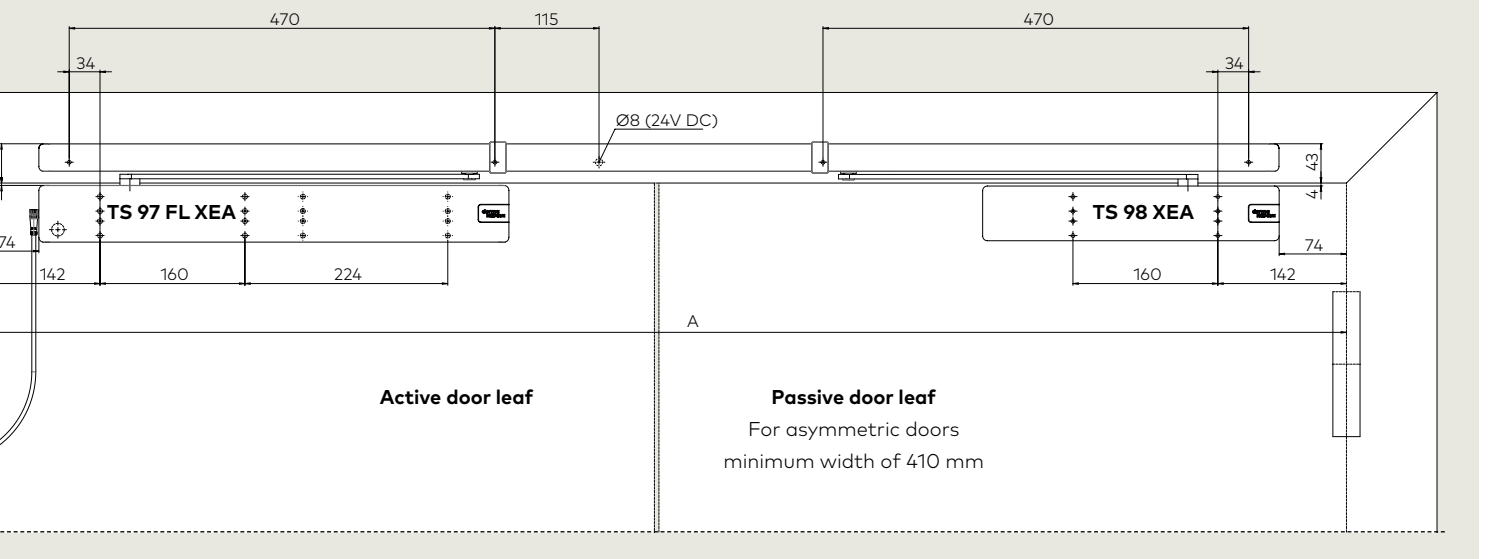
F Certificate of suitability

The TS 97 FL XEA GSR is tested and quality-monitored by the notified body MPA in Dortmund in accordance with BS EN 1158. An additional certificate of suitability is also required for the fire or smoke door concerned.



Note

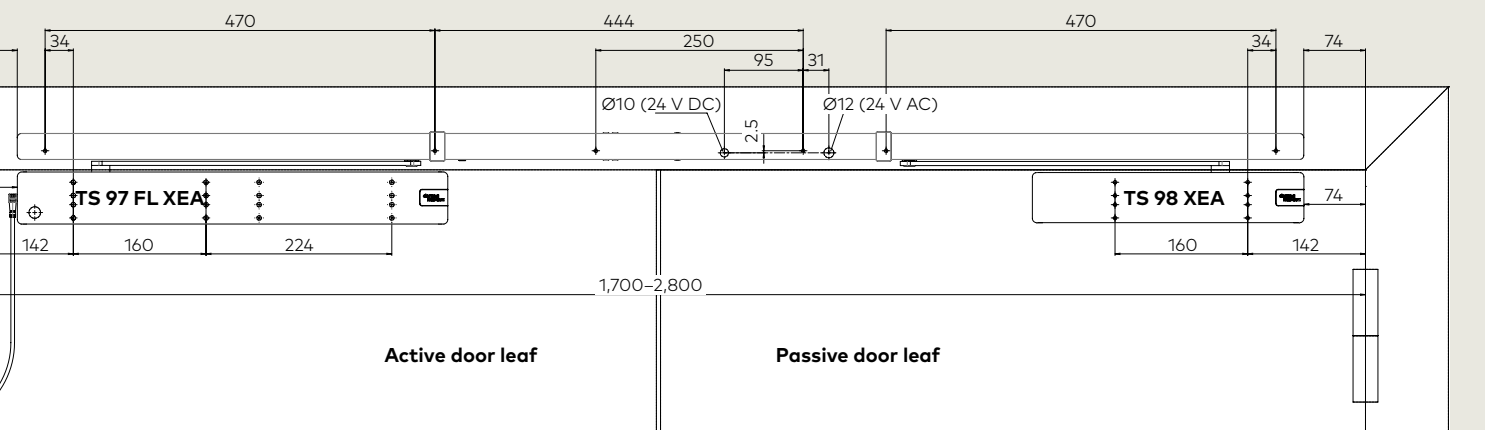
The distribution box can be omitted if power is supplied via the door leaf (using KÜ/LK 12).



Examples: Active door leaf LH door, active door leaf RH door, mirror image

Note

The distribution box can be omitted if power is supplied via the door leaf (using KÜ/LK 12).



Examples: Active door leaf LH door, active door leaf RH door, mirror image

TS 97 FL XEA – Use on double-leaf doors on the opposite hinge side

The modular TS 98 GSR XEA system also facilitates the use of TS 97 FL XEA EN 3–6 on the active door leaf.

When the door is opened, fail-safe is activated for a door opening angle of $> 0^\circ$ on the active door leaf. The door remains freely movable and is not closed automatically, which is a relief when walking through doors in heavily frequented areas. The GSR system ensures that double-leaf doors are closed in the right order: first the passive door leaf, then the active one. The push rods clamping system that is independent of the hydraulics of the door closer works with an overload protection. The trigger mechanism has been integrated in the slide channel.

TS 97 FL GSR XEA BG standard version – door coordinator with fail-safe on the active door leaf

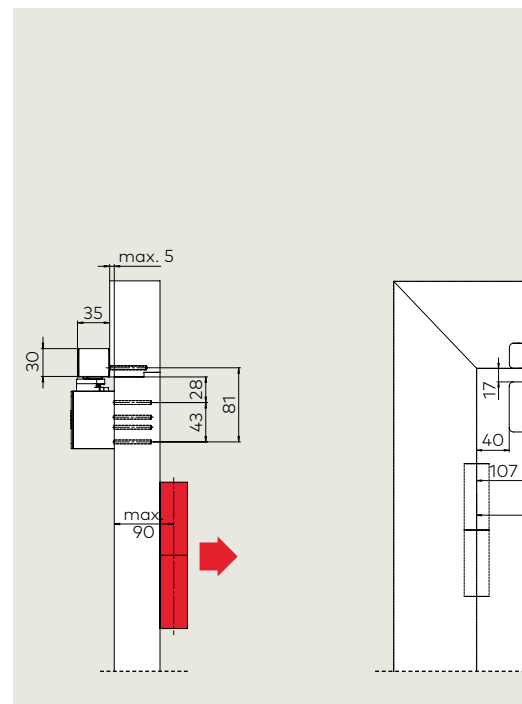
The GSR system ensures that double-leaf doors are closed in the right order: first the passive door leaf, then the active one.

TS 97 FL GSR-EMF 1 XEA BG – door coordinator with fail-safe on the active door leaf and electromechanical hold-open of the passive door leaf

The GSR XEA ensures that, in case of double-leaf doors, the active door leaf always closes after the passive door leaf. It is characterised by the fact that it is equipped with a push rods clamping system. This system works independent of the hydraulics of the door closer and therefore ensures extreme security and reliability.

An overload protection protects the door coordinator and the door construction from damage. The door coordinator GSR XEA can be used for LH doors as well as for RH doors and can be combined with the door closer TS 97 FL XEA on the active door leaf and the door closer TS 98 XEA on the passive door leaf.

The max. door opening angle is approx. 110° . To prevent the door or door closer from being damaged, a door stop must be set. For emergency application on fire and smoke doors, it is recommended to use the TS 97 FL XEA GSR on the hinge side.



TS 97 GSR-EMF 1 XEA, opposite hinge side

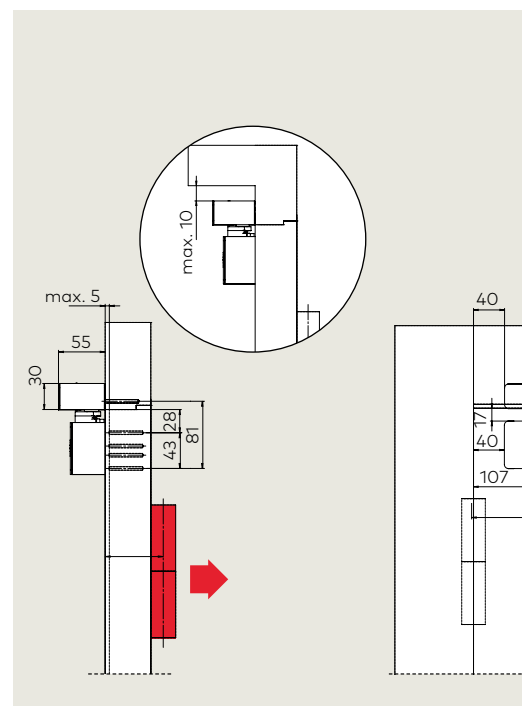
TS 97 FL GSR-EMR 1 XEA BG – door coordinator with fail-safe at the active door leaf, electromechanical hold-open of the passive door leaf and integrated smoke detector with integrated power pack

The GSR XEA ensures that, in case of double-leaf doors, the active door leaf always closes after the passive door leaf. It is characterised by the fact that it is equipped with a push rods clamping system. This system works independent of the hydraulics of the door closer and therefore ensures extreme security and reliability.

An overload protection protects the door coordinator and the door construction from damage. The door coordinator GSR XEA can be used for LH doors as well as for RH doors and can be combined with the door closer TS 97 FL XEA on the active door leaf and the door closer TS 98 XEA on the passive door leaf.

The max. door opening angle is approx. 110° . To prevent the door or door closer from being damaged, a door stop must be set.

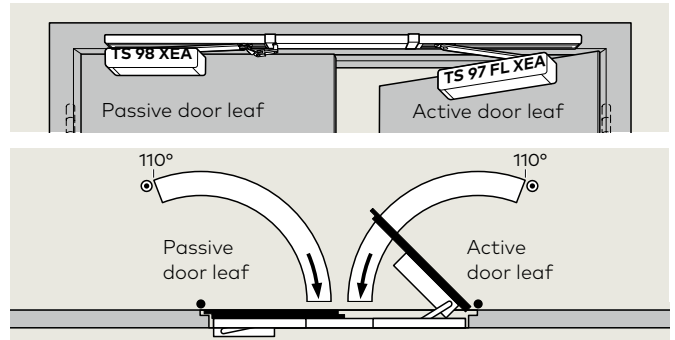
For emergency application on fire and smoke doors, it is recommended to use the TS 97 FL XEA GSR on the hinge side.



TS 97 FL GSR-EMR 1 XEA, opposite hinge side

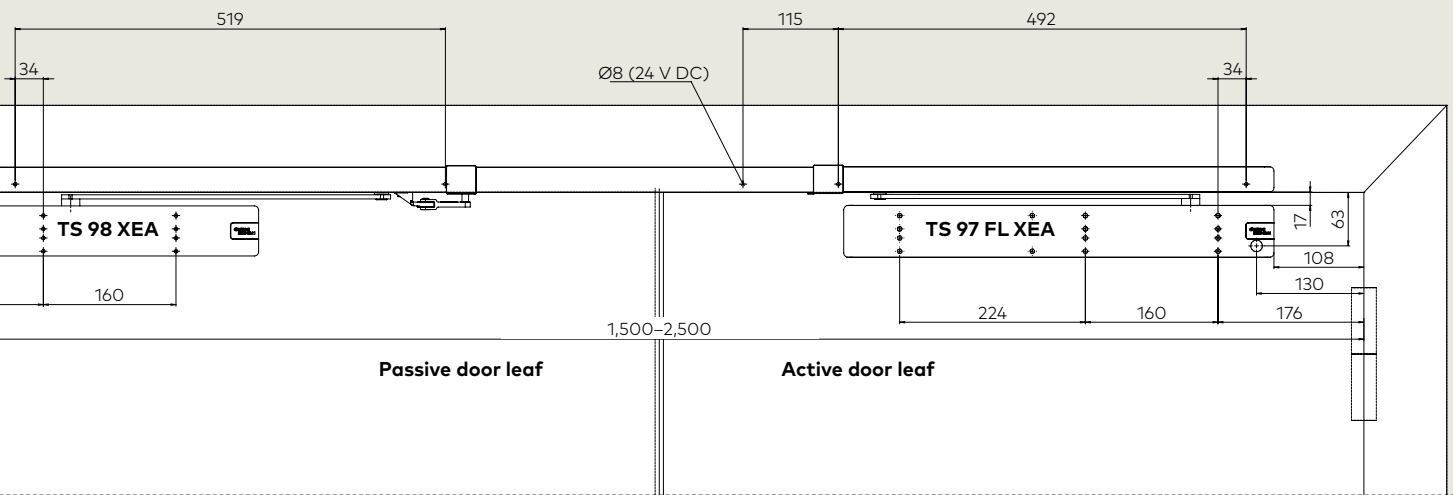
F Certificate of suitability

The TS 97 FL XEA GSR BG is tested and quality-monitored by the notified body MPA in Dortmund in accordance with BS EN 1158. An additional certificate of suitability is also required for the fire or smoke door concerned.



Note

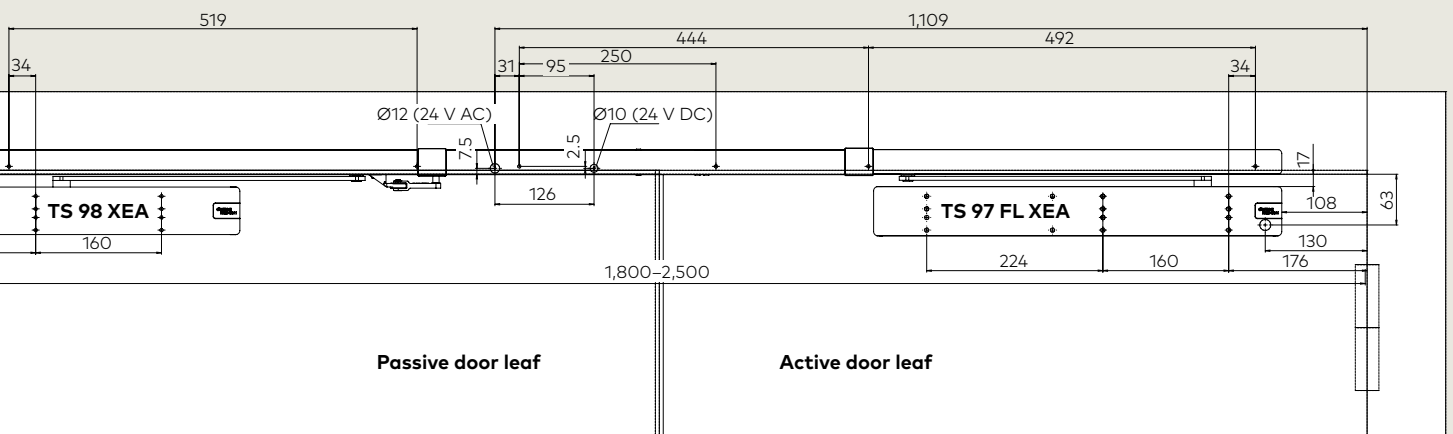
24-V-DC power must be supplied using a KÜ/LK 12.



Examples: Active door leaf LH door, active door leaf RH door, mirror image

Note

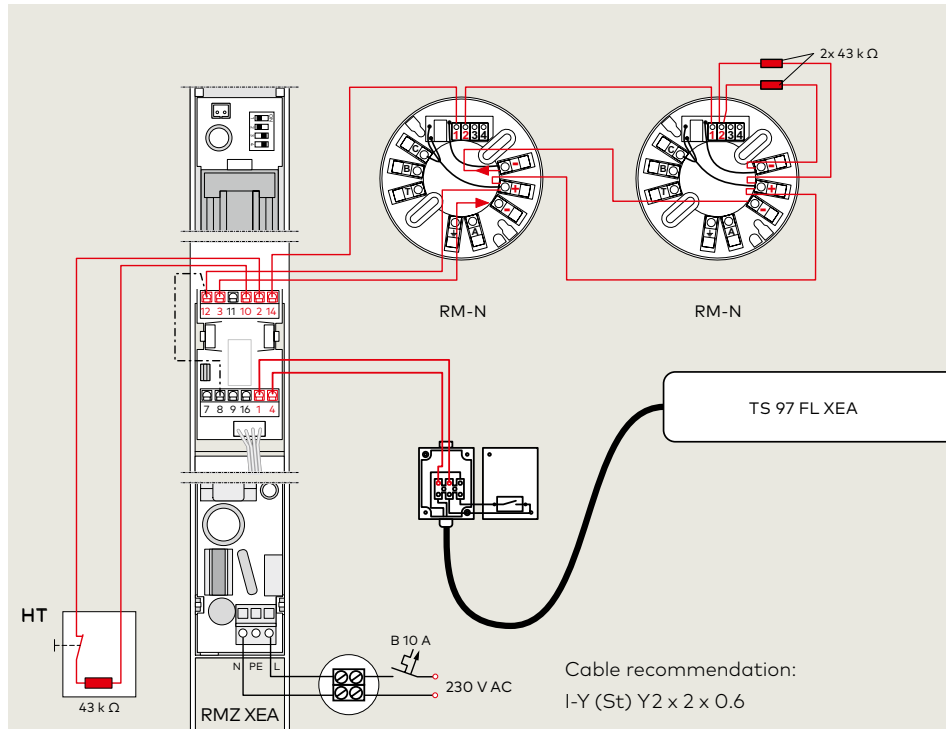
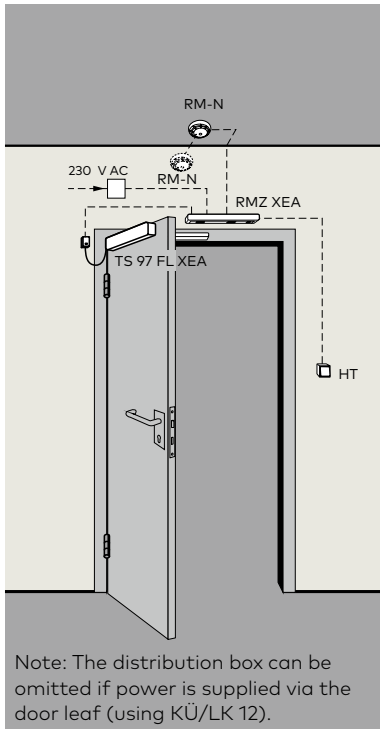
24-V-DC power must be supplied using a KÜ/LK 12.



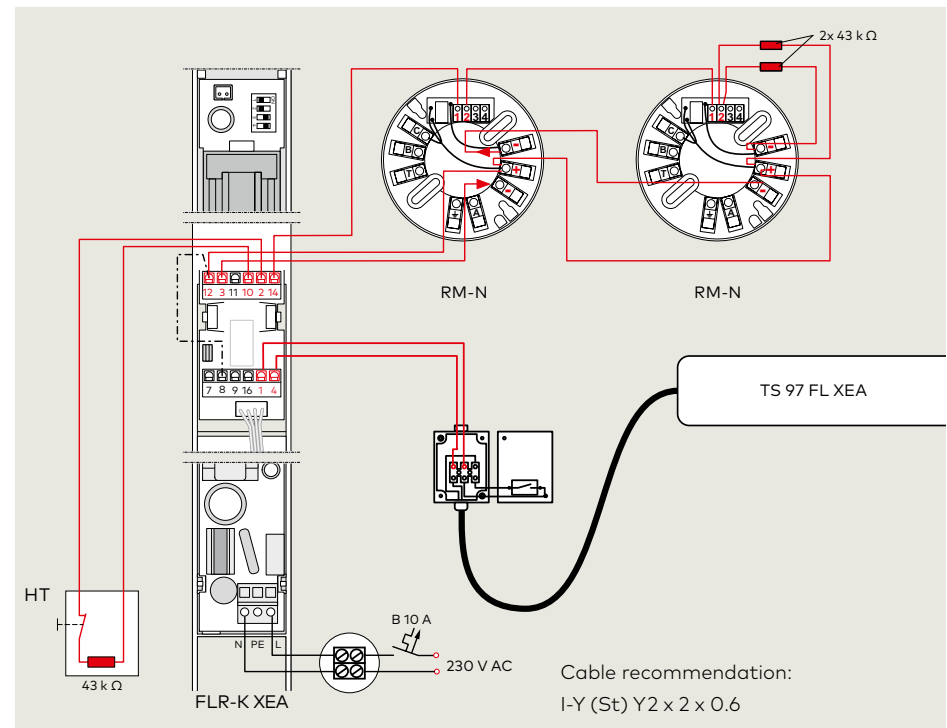
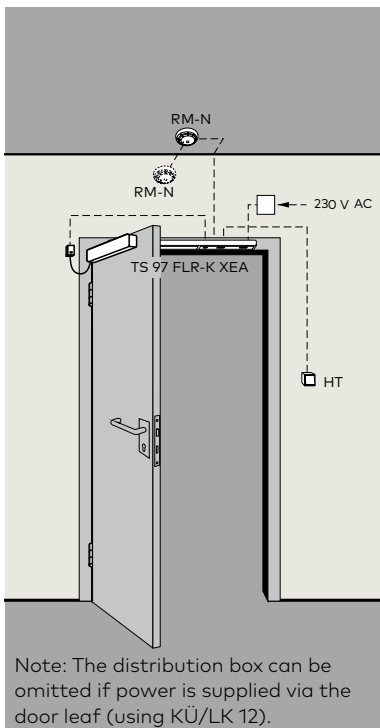
Examples: Active door leaf LH door, active door leaf RH door, mirror image

TS 97 FL XEA – Usage examples of hold-open system

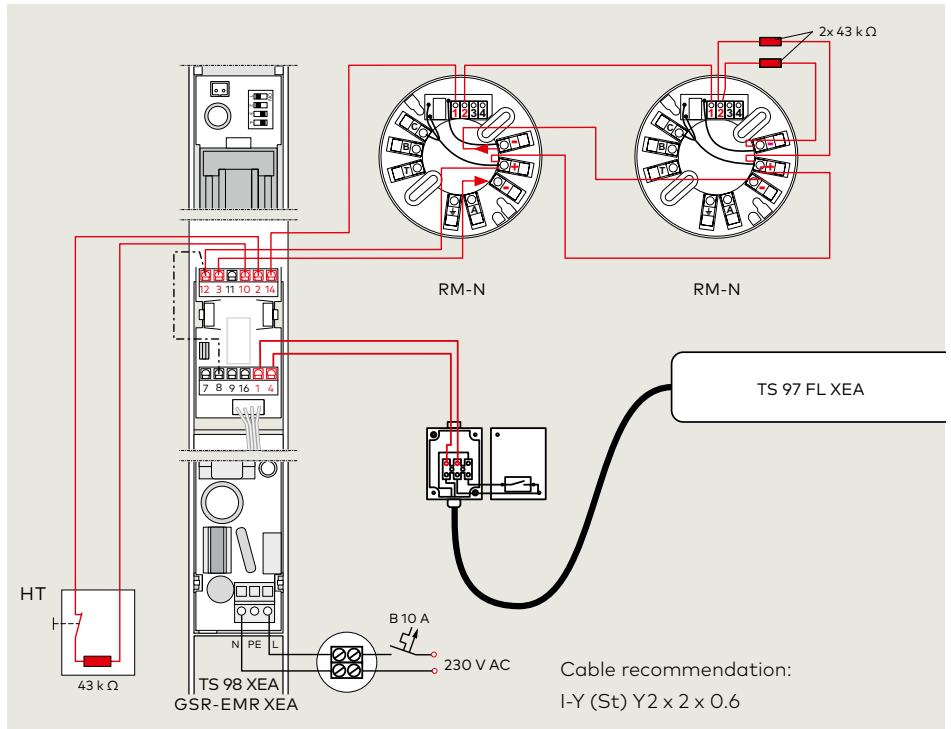
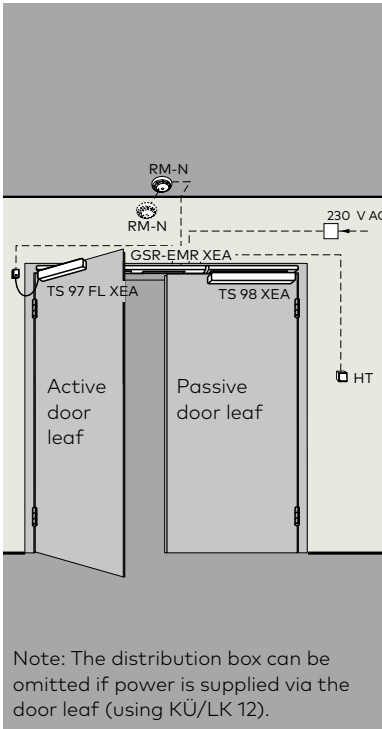
TS 97 FL XEA + RMZ XEA + 2x RM-N



TS 97 FLR-K XEA + 2x RM-N



TS 97 FL GSR-EMR 1 XEA + 2x RM-N



Smoke detector with integrated power pack/smoke detector

The RMZ XEA smoke detector with integrated power pack in XEA design and the RM-N smoke detector ideally supplement the TS 97 FL XEA system for preventive fire protection.

They are designed according to the latest guidelines from the Deutsches Institut für Bautechnik (German Institute for Construction Technology) and guarantee the optimal interaction of all systems to hold open fire and smoke doors under different conditions.

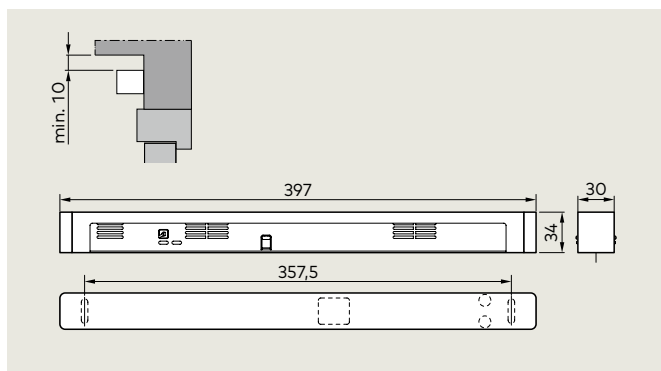
RMZ XEA

The RMZ XEA smoke detector with integrated power pack in XEA design supplies connected hold-open systems with a 24-V direct current and switches them off from power in the event of an alarm or during power failure (activation).

The reset is automatic but can be changed to manual reset (required in connection with the free-swing door closers TS 97 FL XEA and ITS 96 FL).

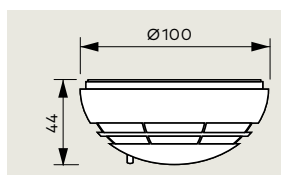
Connections are possible for other detectors and for an external manual release device, and a potential-free change-over contact is also available.

The smoke detector unit must be replaced after eight years according to BS EN 14677. Once the replacement deadline is reached, this is shown by a constantly glowing LED light.



RM-N

The RM-N smoke detector early detects both incipient fires and open fires with smoke emission and can be connected to all dormakaba hold-open systems.



Data and features		RMZ XEA	RM-N
Functions	Smoke detector	●	●
	Trigger element	●	-
	Power supply	●	-
Smoke detection	Photoelectric (optical)	●	●
Assembly	Lintel mounting	●	-
	Ceiling installation	-	●
Connection to other detectors		●	-
Total power input (max.) for hold-open systems and additional detectors in W		9.8	-
Power consumption internal detector in W		1.2	0.65
LED Advertisements	Alarm	●	●
	Operation	●	-
	Maintenance	●	-
	Dirt	●	-
Input voltage		230 V AC ±10%	24 V DC +15%, -10%
Output voltage		24 V DC	-
Detector operating voltage		24 V DC +15%, -10%	24 V DC
Power input (max.) in mA		75	20
Potential-free changeover contact Low voltage (SELV)		24 V AC/DC 1 A	30 V AC/DC 1 A
Restore	Automatic	●	●
	Can be changed to manual reset ¹⁾	●	-
Function check	Exhaust gas	●	●
Terminals for external manual release device		●	-
Protection type		IP30	IP 43
Ambient temperature in °C		-20, +40	-10, +60
Weight in kg		0.25	0.15
Dimensions in mm	Length	397	
	Depth	34	Ø 100
	Height	30	44
Tested in accordance with EN 54, Part 7		●	●
CE-identification for construction products		●	●

● yes - no

¹⁾ Required in connection with the free-swing door closers TS 97 FL XEA and ITS 96 FL

F Certificate of suitability

The RMZ XEA smoke detector with integrated power pack in XEA design and the RM-N smoke detector are approved by the Deutsches Institut für Bautechnik, Berlin, general building approval; acceptance inspection mandatory.

Requirements/instructions for hold-open systems

The use of hold-open systems is subject to special requirements due to the official approval provisions. They particularly apply to acceptance, ongoing monitoring and maintenance.

The below instructions are intended to inform all participants of the most important measures on using hold-open systems with regard to the official requirements.

See the following documents for further details:

- General requirements and test specifications for the approval process for hold-open systems by Deutsches Institut für Bautechnik, Berlin
- General design approvals from the Deutsches Institut für Bautechnik, Berlin for the respective hold-open system
- BS EN 1155
- BS EN 14637

1. General information

1.1 For doors held open by hold-open systems, the area required for closing must be kept clear at all times. This area must be clearly marked with a label, floor markings or similar. It may be necessary to ensure, using constructive measures, that cables, stored goods or components (for example lower ceilings or their components) cannot fall into the area to be kept clear.

1.2 Wherever possible, smoke detectors should be used for hold-open systems.

Smoke detectors must be used for hold-open systems for doors on escape routes.

1.3 It must also be possible to manually trigger every hold-open system without impairing the functional readiness of the triggering system.

In case of door closers with an electromagnetic hold-open mechanism, this can be easily lifted by applying light pressure to the door leaf. If hold-open magnets or free-swing door closers are used, these are triggered by a button. The manual trigger for this must be red and bear the label "Close door".

The button must be in the immediate proximity of the door and must not be covered by the door when opened.

2. Acceptance test

2.1 After installation at the location of use, proper functioning and installation in accordance with specifications must be ensured via an acceptance test. The acceptance test may only be performed by the manufacturer's specialists for monitoring systems and/or hold-open systems, by specialists authorised by such or by a testing body appointed for this.

2.2 After the acceptance test has been carried out, an approval sign (105 x 52 mm) with the inscription:

Hold-open system

Acceptance by

(company logo and month and year of acceptance) should be permanently mounted on the wall in close proximity to the shutter.

2.3 A certificate is to be issued to the facility operator concerning the successful acceptance test. It is to be retained by the facility operator.

3. Periodic monitoring

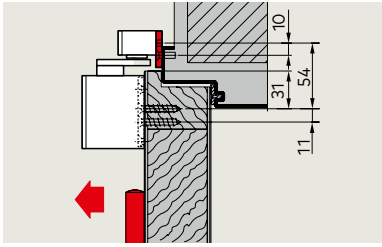
3.1 The facility operator must constantly keep the hold-open system ready for operation and check it for proper functioning at least once per month.

3.2 Moreover, the facility operator is obligated to perform a test for proper and fault-free interaction of all devices as well as maintenance or have such performed at least once per year, unless a shorter period of time is indicated in the approval decision. This test and maintenance may only be performed by a specialist or trained person.

3.3 Scope, results and time of periodic monitoring are to be registered. These registers are to be retained by the facility operator.

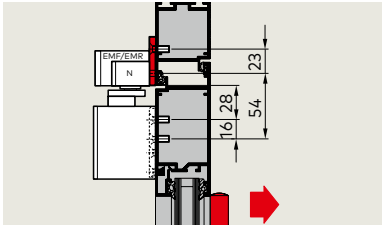
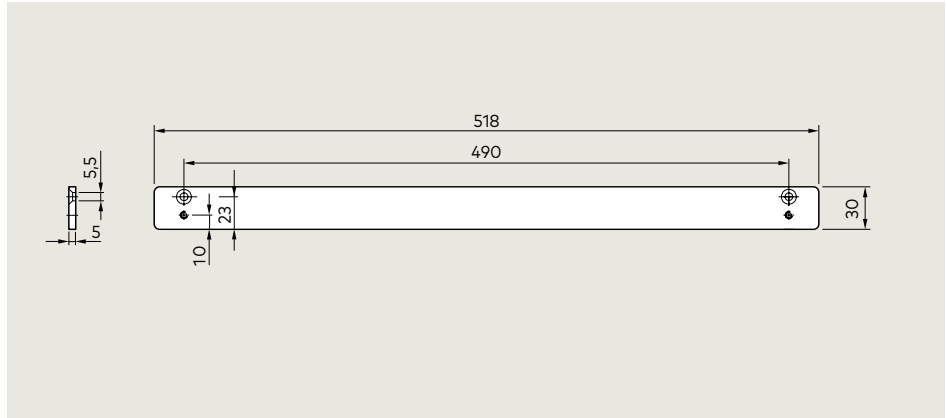
Accessories

Single-leaf doors



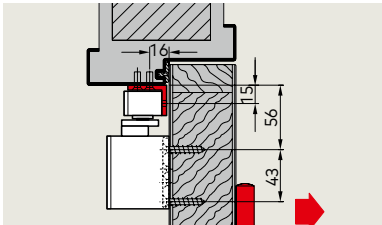
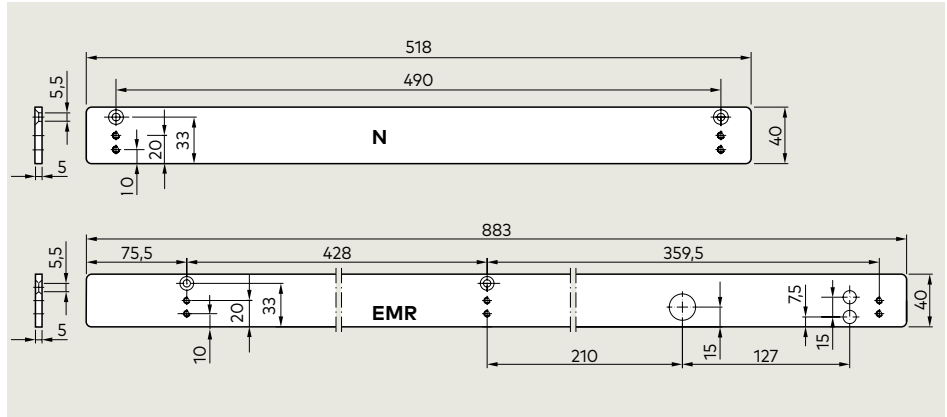
30-mm mounting plate for G-N XEA

For fixing the slide channel on door frames where a direct mounting is not possible.



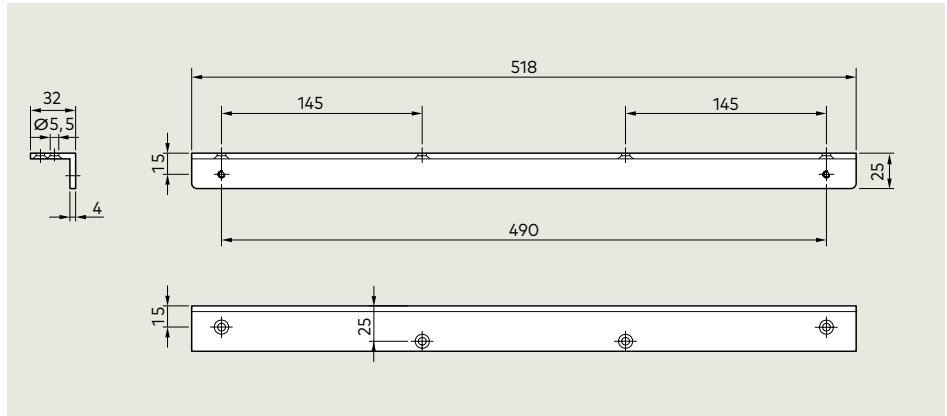
40-mm mounting plate for G-N XEA, EMR XEA and FLR-K XEA

For fixing the slide channel on door frames where a direct mounting is not possible.

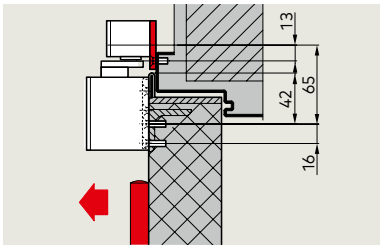


Lintel bracket for G-N XEA

For fixing the slide channel on door frames with deep lintel in case of mounting on the opposite hinge side. G-N XEA design variant for direct lintel mounting is also available.

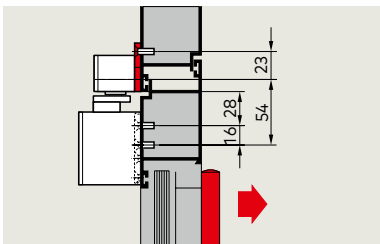


Double-leaf doors



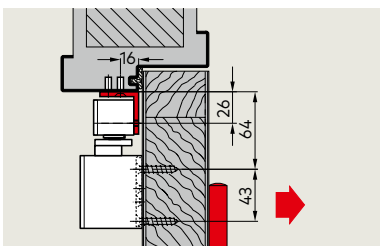
40-mm mounting plate for GSR XEA

For fixing the slide channels on door frames where a direct mounting is not possible.



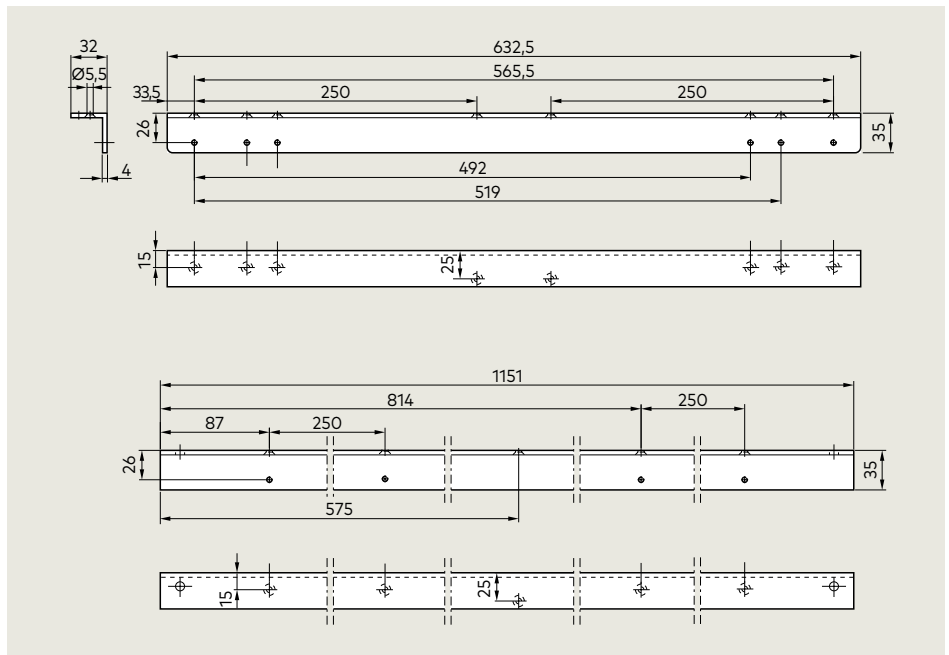
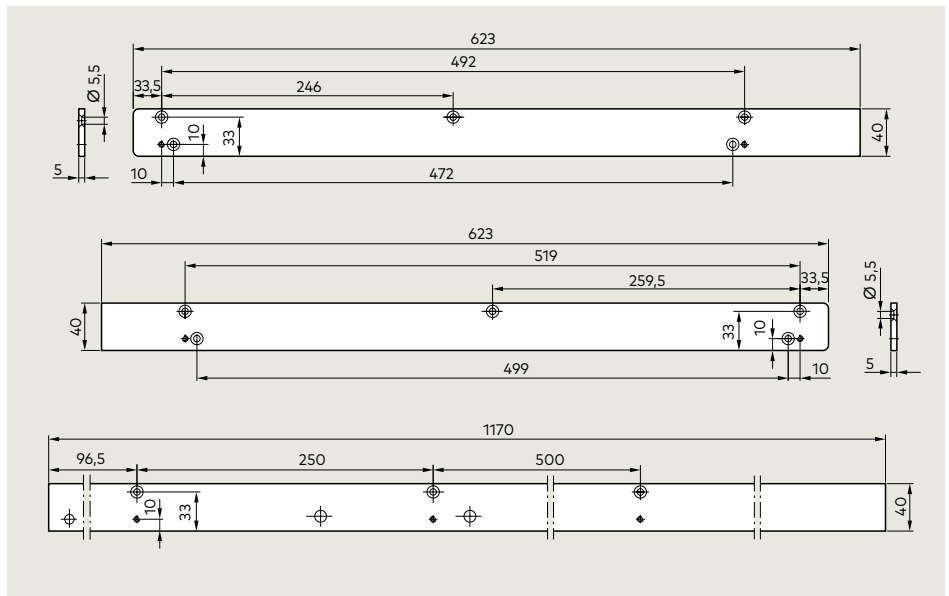
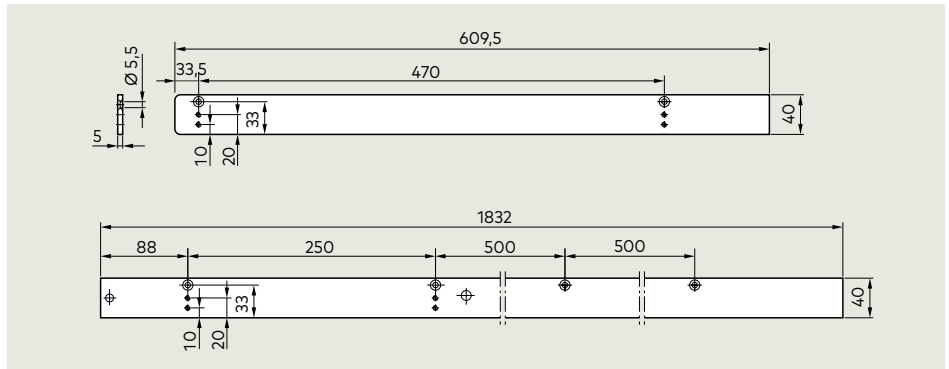
40-mm mounting plate for GSR XEA BG

For fixing the slide channels on door frames where a direct mounting is not possible.







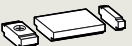
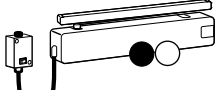
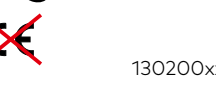

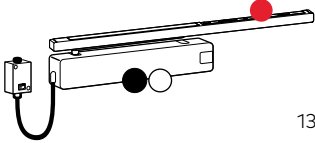
Lintel bracket for GSR XEA BG

For fixing the slide channels on door frames with deep lintel.



Product contents and accessories

Single-leaf doors

	Mounting plate 30 mm for G-N XEA	Mounting plate 40 mm for G-N XEA	Mounting plate 40 mm for G-EMR XEA	Lintel bracket for G-N XEA	Cushioned limit stay for G-N XEA
					
	574000xx	574100xx	574600xx	574300xx	35800093
TS 97 FL XEA (EN 3-6) door leaf/lintel mounting on hinge side/opposite hinge side* incl. G-N XEA slide channel					
* Lintel mounting on opposite hinge side: 	130200xx				
TS 97 FLR-K XEA (EN 3-6) Door-leaf mounting on hinge side/opposite hinge side incl. G-EMR XEA slide channel					
			130400xx		

- Hold-open system
- Smoke detector with integrated power pack
- Fail-safe
- xx Article number supplement, see colour options
- Separate closer
- Separate slide channel
- △ Accessories

xx Colour options

- 01 Silver-coloured
- 11 White (RAL 9016)
- 09 special colour
Can also be delivered in Design* version
- 04 stainless-steel finish

* "Design" refers to the surface finish of the products

Accessories

Smoke detection system

RMZ XEA*
648000xx

RM-N
64830900
VE = 2 pcs



Manual release button

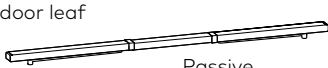
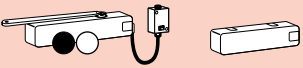
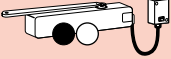
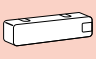
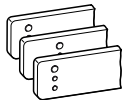
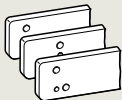
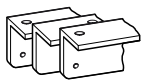





HT-UP
35901531

HT-AP
35901532



* Not required for FLR-K XEA and GSR-EMR 1 XEA

Double-leaf doors

	TS 97 FL XEA	TS 98 XEA	Mounting plates for GSR XEA	Mounting plates for GSR XEA BG	Lintel bracket for GSR XEA BG	Cushioned limit stay
Active door leaf  Passive door leaf 	 EN 3-6 for GSR application on active door leaf ■ 130300xx	 EN 1-6 for GSR application on passive door leaf ■ 441101xx				
			574800xx	574900xx	574700xx	18020000
GSR XEA  <ul style="list-style-type: none"> <input type="checkbox"/> VK 571010xx <input type="checkbox"/> V 571020xx <input type="checkbox"/> VL 571030xx 	<input type="checkbox"/>	1x ■	<input type="checkbox"/>	1x ■	△	△
GSR-EMF 1 XEA  <ul style="list-style-type: none"> <input type="checkbox"/> VK 571110xx <input type="checkbox"/> V 571120xx <input type="checkbox"/> VL 571130xx 	<input type="checkbox"/>	1x ■	<input type="checkbox"/>	1x ■	△	△ ¹⁾
GSR-EMR 1 XEA  <ul style="list-style-type: none"> <input type="checkbox"/> V 572150xx <input type="checkbox"/> VL 572160xx 	<input type="checkbox"/>	1x ■	<input type="checkbox"/>	1x ■	△	△ ¹⁾
GSR XEA BG  <ul style="list-style-type: none"> <input type="checkbox"/> V 571440xx 	<input type="checkbox"/>	1x ■	<input type="checkbox"/>	1x ■	△	△

Optionally also possible:

GSR-EMF 2 XEA BG
GSR-EMR 2 XEA BG

¹⁾ Use cushioned limit stay only on active door leaf.

		Door width (mm)	
		B	BG
GSR XEA/ GSR-EMF XEA	VK	1,220-1,350	-
	V	>1,350-2,500	1,500-2,500
	VL	>2,500-2,800	-
GSR-EMR XEA	V	1,700-2,500	1,800-2,500
	VL	>2,500-2,800	-

Specification text

TS 97 FL XEA EN 3-6

Slide channel door closer as per EN 1154, with CE marking, in XEA design, with rapidly decreasing opening torque for easy opening of doors as per DIN SPEC 1104. For door widths up to 1,400 mm with electro-hydraulic hold-open tested in accordance with EN 1155 and fail-safe from a door angle > 0°. Continuously adjustable closing force EN 3-6. Closing time and latching action continuously adjustable using valve. Fixing positions: Door-leaf mounting on hinge side and opposite hinge side. Lintel mounting on hinge side and opposite hinge side (an approval is required in individual cases for lintel mounting on opposite hinge side at fire and smoke doors). Operating voltage 24 V DC. Mounting bracket with universal fixing hole pattern. Non-handed. Slide channel height-adjustable. Approved by the German Institute for Building Technology, Berlin, for use in hold-open systems. Acceptance inspection mandatory. A certificate of suitability is required for the respective fire or smoke door in case of lintel mounting on the opposite hinge side.

Colour

- Silver-coloured
- White (cf. RAL 9016)
- Stainless-steel finish
- Special colour (cf. RAL)

Make

TS 97 FL XEA

TS 97 FLR-K XEA EN 3-6

Slide channel door closer as per EN 1154, with CE marking, in XEA design, with rapidly decreasing opening torque for easy opening of doors as per DIN SPEC 1104. For door widths up to 1,400 mm with electro-hydraulic hold-open tested in accordance with EN 1155 and fail-safe from a door angle > 0°. Continuously adjustable closing force EN 3-6. Closing time and latching action continuously adjustable using valve. Fixing positions: Door-leaf mounting on hinge side and opposite hinge side. Operating voltage 24 V DC. Mounting bracket with universal fixing hole pattern. Non-handed. Slide channel with integrated power supply unit and smoke detector with operating and maintenance display. Installation height 30 mm. Connections for further detectors, external manual release device and potential-free alarm contact. Connection voltage 230 V AC, operating voltage 24 V DC. General building approval granted by DIBt, Berlin, for use in a hold-open system. Acceptance inspection mandatory.

Colour

- Silver-coloured
- White (cf. RAL 9016)
- Stainless-steel finish
- Special colour (cf. RAL)

Make

TS 97 FLR-K XEA

RMZ XEA

Smoke detector with integrated power pack in XEA design, with operating and maintenance display, integrated power supply unit and optical smoke detector for lintel mounting. For actuation of dormakaba hold-open systems. Connections for further detectors, external manual release device and potential-free alarm contact. Can be switched to manual reset. One-piece cover, installation height 30 mm. General building approval granted by DIBt, Berlin, for use as a hold-open system. Acceptance inspection mandatory.

Installation:

- RMZ XEA with integrated power supply unit. Supply voltage 230 V AC. Operating voltage 24 V DC.
- Optional with integrated alarm module for acoustic monitoring.

Colour

- Silver-coloured
- White (cf. RAL 9016)
- Stainless-steel finish
- Special colour (cf. RAL)

Make

RMZ XEA

RM-N

Optical smoke detector, 24 V DC, for ceiling installation. Can be used as second and third detector in all dormakaba hold-open systems. With potential-free change-over contact. General building approval granted by DIBt, Berlin; tested to EN 54, Part 7, by VdS, Cologne. Acceptance inspection mandatory.

Colour

- White, similar to RAL 9003

Make

RM-N

TS 97 FL GSR XEA EN 3-6

Slide channel door closer on active door leaf as per EN 1154, with CE marking, in XEA design, with rapidly decreasing opening torque for easy opening of doors as per DIN SPEC 1104. For door widths up to 1,400 mm with electro-hydraulic hold-open tested in accordance with EN 1155 and fail-safe from a door angle > 0°. Continuously adjustable closing force EN 3-6. Closing time and latching action continuously adjustable using valve. Operating voltage 24 V DC. Mounting bracket with universal fixing hole pattern. Non-handed. Slide channel with integrated mechanical door coordinator, tested in accordance with EN 1158. Door coordinator operated separately from the door closer hydraulics using a push rods clamping system with an overload release and continuous cover. Non-handed. Slide channel door closer on passive door leaf TS 98 XEA EN 1-6. Approved by the German Institute for Building Technology, Berlin, for use in hold-open systems. Acceptance inspection mandatory.

Installation:

- Door-leaf mounting/hinge side (TS 97 FL XEA on active door leaf, TS 98 XEA on passive door leaf)

Make

TS 97 FL GSR XEA

Colour

- Silver-coloured
- White (cf. RAL 9016)
- Stainless-steel finish
- Special colour (cf. RAL)

TS 97 FL GSR-EMF 1 XEA EN 3-6

Slide channel door closer on active door leaf as per EN 1154, with CE marking, in XEA design, with rapidly decreasing opening torque for easy opening of doors as per DIN SPEC 1104. For door widths up to 1,400 mm with electro-hydraulic hold-open tested in accordance with EN 1155 and fail-safe from a door angle > 0°. Continuously adjustable closing force EN 3-6. Closing time and latching action continuously adjustable using valve. Operating voltage 24 V DC. Mounting bracket with universal fixing hole pattern. Non-handed. Slide channel with integrated mechanical door coordinator, tested in accordance with EN 1158. Electromechanical hold-open system, 24 V DC, tested in accordance with EN 1155. Hold-open point (80°-130°) and continuously adjustable disengagement force. Door coordinator operated separately from the door closer hydraulics using a push rods clamping system with an overload release and continuous cover. Non-handed. Slide channel door closer on passive door leaf TS 98 XEA EN 1-6. Approved by the German Institute for Building Technology, Berlin, for use in hold-open systems. Acceptance inspection mandatory.

Installation:

- Door-leaf mounting/hinge side (TS 97 FL XEA on active door leaf, TS 98 XEA on passive door leaf)

Make

TS 97 FL GSR-EMF 1 XEA

Colour

- Silver-coloured
- White (cf. RAL 9016)
- Stainless-steel finish
- Special colour (cf. RAL)

TS 97 FL GSR-EMR 1 XEA EN 3-6

Slide channel door closer on active door leaf as per EN 1154, with CE marking, in XEA design, with rapidly decreasing opening torque for easy opening of doors as per DIN SPEC 1104. For door widths up to 1,400 mm with electro-hydraulic hold-open tested in accordance with EN 1155 and fail-safe from a door angle > 0°. Continuously adjustable closing force EN 3-6. Closing time and latching action continuously adjustable using valve. Operating voltage 24 V DC. Mounting bracket with universal fixing hole pattern. Non-handed. Smoke detector with operation and maintenance indicator flush-integrated into the door co-ordinator housing. Connections for further detectors, external manual release device and potential-free alarm contact. Supply voltage 230 V AC, operating voltage 24 V DC. Slide channel with integrated mechanical door coordinator, tested in accordance with EN 1158. Electromechanical hold-open system, 24 V DC, tested in accordance with EN 1155. Hold-open point (80°-130°) and continuously adjustable disengagement force. Door coordinator operated separately from the door closer hydraulics using a push rods clamping system with an overload release and continuous cover. Non-handed. Slide channel door closer on passive door leaf TS 98 XEA EN 1-6. General building approval granted by DIBt, Berlin, for use in a hold-open system. Acceptance inspection mandatory.

Installation:

- Door-leaf mounting/hinge side (TS 97 FL XEA on active door leaf, TS 98 XEA on passive door leaf)

Make

TS 97 FL GSR-EMR 1 XEA

Colour

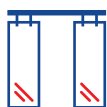
- Silver-coloured
- White (cf. RAL 9016)
- Stainless-steel finish
- Special colour (cf. RAL)

Our products



Mechanical Key Systems

Systems that enable access rights and key control to all rooms within the premises



Interior Glass Systems

System solutions made from glass for a wide range of everyday and office applications



Lodging Systems

Hotel locks and locking systems as well as access management solutions for holiday homes



Electronic Access & Data

Electronic access control and workforce management for efficient access management, security and data collection



Door Hardware

Solutions for residential or commercial projects



Entrance Systems

Automated access solutions for convenient access to buildings



Safe Locks

Security locks for preventing unauthorized access to goods, valuables, information or hazardous substances



Services

Tailor-made services and customized maintenance for long-term functional integrity of access and security solutions

