

# SVA/SVI

Mounting instructions

Original document

## Contents

<b>1</b>	<b>Information about this document</b>	<b>2</b>	3.4 Preparations for mounting	<b>5</b>
1.1	Contents and purpose	2	3.5 Installation steps	<b>5</b>
1.2	Target group	2	3.6 Establish electrical connection (only in the case of electrical locks)	<b>5</b>
1.3	Other applicable documents	2	3.7 Parameterize lock (SVA locks of series 2xxx and 2xxxF only)	<b>5</b>
1.4	Abbreviations	2	3.8 Complete mounting	<b>5</b>
1.5	Symbols used	2	<b>4 Maintenance</b>	<b>5</b>
1.5.1	Hazard categories	2	<b>5 Disassembly and disposal</b>	<b>5</b>
1.5.2	Further labeling	2	<b>6 Image section</b>	<b>6</b>
<b>2</b>	<b>Safety</b>	<b>3</b>	6.1 Dimensions	<b>6</b>
<b>3</b>	<b>Mounting</b>	<b>3</b>	6.2 Mounting illustrations	<b>12</b>
3.1	Required parts	3		
3.2	Requirements for mounting	4		
3.3	Overview of parts	4		
3.3.1	Tubular frame door variants	4		
3.3.2	Solid door variants	4		

### 1 Information about this document

#### 1.1 Contents and purpose

This document describes the mounting of the SVA/SVI lock series on a 2-leaf door unit. The locks are available in various versions and designs for tubular frame doors and solid doors. The individual mounting steps are illustrated in the image section of the manual.

#### 1.2 Target group

The locks must only be mounted by technically qualified personnel.

#### 1.3 Other applicable documents

- Commissioning instructions for the SVA/SVI locks
- Manual for the connection cable SVP-A 1100/2100 (not necessary for SVI 5xxx)
- Assembly instructions for the fittings used, e.g. door handles, panic bar or knob.

#### 1.4 Abbreviations

SVA	Active, self-locking (anti-)panic lock for the passive door leaf
SVI	Inactive, self-locking (anti-)panic lock for the active door leaf
2xxx/2xxxF, 4xxx, 5xxx	All versions of a lock; the exact lock type is marked with 3 digits instead of xxx.
F	Fire protection – integrated PR module

### 1.5 Symbols used

#### 1.5.1 Hazard categories



#### WARNING

This signal word indicates a possible hazardous situation that may result in death or serious injury if not averted.



#### ATTENTION

This signal word indicates a situation of potential risk that could lead to damage to property or the environment if not averted.



#### Note

This signal word indicates useful information for efficient and trouble-free operation.

#### 1.5.2 Further labeling

**1**

The picture number in the text document refers to an illustration in the image section of the assembly instructions

**1.** **2.**

Step-by-step graphics

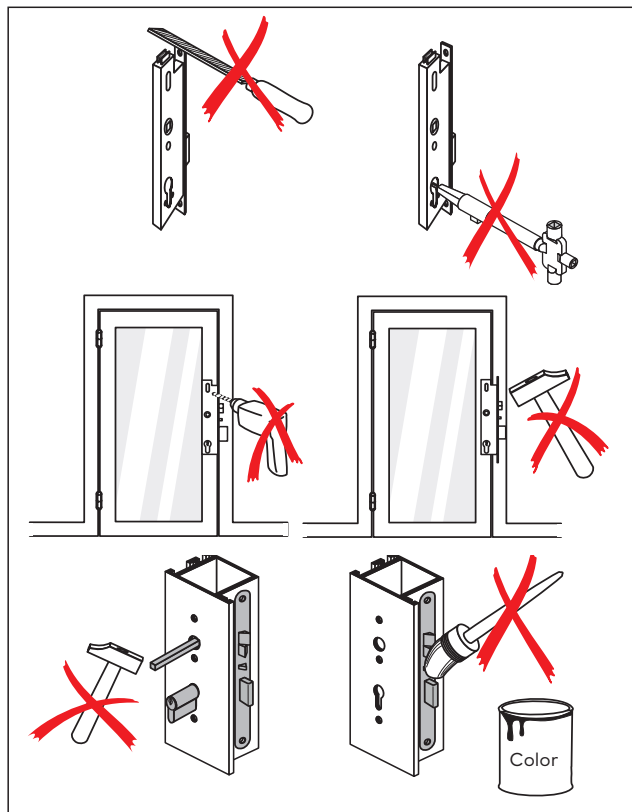
**1** **2**

Position numbers of parts



Reference to chapter or page number

## 2 Safety



### WARNING

#### Danger to life from crowding in front of a jammed door.

If the door leaf is deformed by more than 5 mm, the door may not always open reliably!

- SVA/SVI locks should only be installed in doors with a maximum deformation of 5 mm!
- In case of more severe deformation, verify that the door opens reliably with the fitting!



### WARNING

#### Danger to life due to incorrect mounting on fire and smoke protection doors.

Mounting on fire and smoke protection doors is only permitted if the usability certificates for these doors provide for the mounting.

- Observe the requirements in the usability certificates.

## 3 Mounting

SVI commissioning manuals



<https://techdoc.dormakaba.com/cds/go/SVI>

SVA commissioning instructions



<https://techdoc.dormakaba.com/cds/go/SVA>

### 3.1 Required parts

The following parts are required for mounting the SVA/SVI door locks:

#### SVA lock

1 door lock for the active door leaf (SVA).

#### SVI lock

1 door lock for the passive door leaf (SVI).

#### SVI accessories set

The accessories set contains the rod striking plate (1), the switch lock (2), the lower rod guide (5), the sliding plug for the upper espagnolette bolt, a mounting aid for the upper espagnolette bolt and the dormakaba torque tool.



#### Note

Use the torque tool only once. After that, the function is no longer given.

#### SVP-A 1100/2100

For each door lock with an electrical connection, the door leaf must be equipped with an SVP-A 1100/2100 connection cable (4) and a concealed cable loop (e.g. dormakaba KÜ 480).

#### TRS XX espagnolette bolt set

The espagnolette bolt set contains the upper espagnolette bolt (4) and the lower espagnolette bolt (5).

#### Masking plate

A masking plate suitable for the espagnolette bolt, PHA 2122 (7) or PHA 2121 (8).

#### Locking cylinder

1 profile cylinder or 1 round cylinder depending on SVA lock version.

#### Door fittings and pressure pin

See technical information of the locks

### 3.2 Requirements for mounting

- The maximum permissible door leaf dimensions are:  
 Max. weight 300 kg  
 Height max. 3500 mm  
 Width max. 1800 mm
- The door leaves are not deformed.

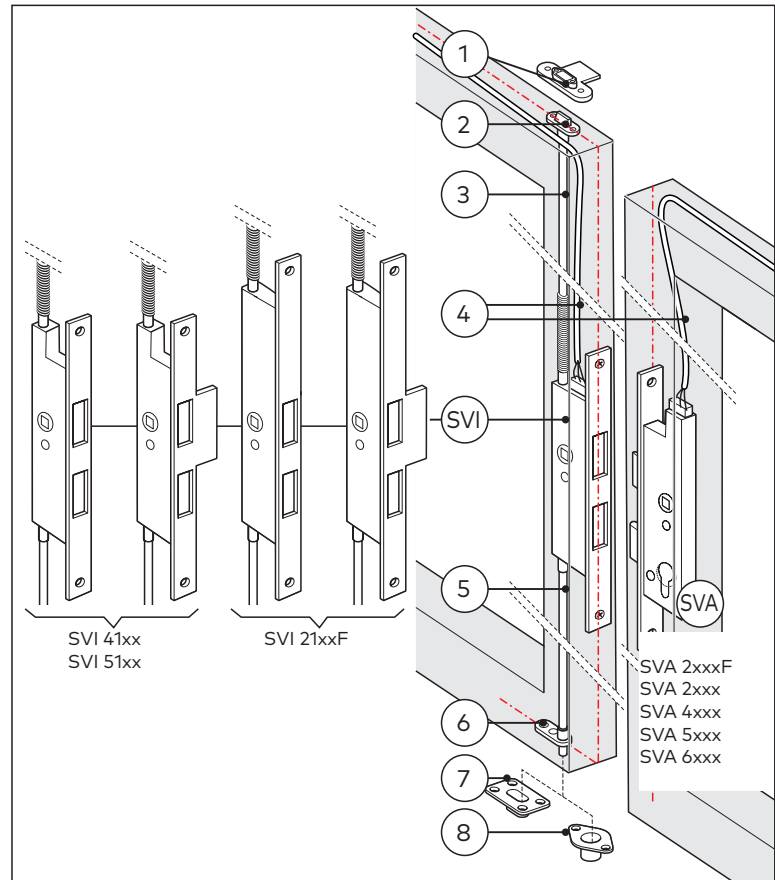
### 3.3 Overview of parts

SVA door lock on the active door leaf

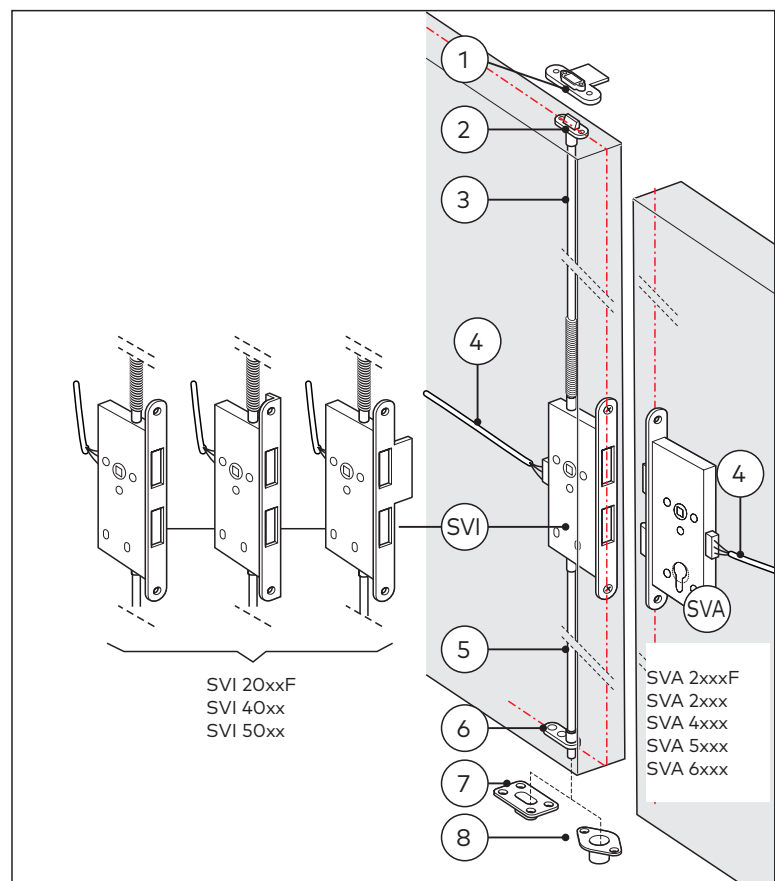
SVI door lock on the passive door leaf

- (1) Rod striking plate
- (2) Switch lock
- (3) Upper espagnolette bolt
- (4) SVP-A 1100/2100 connection cable (not required for SVI 5xxx and SVA 5xxx)
- (5) Lower espagnolette bolt
- (6) Lower rod guide
- (7) Masking plate PHA 2122
- (8) Alternative masking plate PHA 2121

### 3.3.1 Tubular frame door variants



### 3.3.2 Solid door variants



### 3.4 Preparations for mounting

- Prepare the door leaves, door frame and espagnolette bolts according to the dimension drawings in the image section. Align all recesses with the selected fittings on site.
- Deburr cutting edges. Clear the recesses of any chips or shavings.
- Depending on the lock, settings must be made before mounting on the lock (see the SVA/SVI locks' commissioning instructions).

### 3.5 Installation steps

Carry out the installation steps according to the illustrations in the image section (see Chapter 6.2).



#### ATTENTION

##### Damage to the door leaves due to incorrect mounting.

The mounting of the SVA lock is shown on a DIN-right door. The mounting of the SVI lock is shown on a DIN-left door. For a reversed version, the procedure must be mirror-inverted.

### 3.6 Establish electrical connection (only in the case of electrical locks)

Connect the SVA/SVI locks according to the pin assignment (see SVA/SVI locks' commissioning instructions).

### 3.7 Parameterize lock (SVA locks of series 2xxx and 2xxxF only)

See SVA lock commissioning instructions

### 3.8 Complete mounting

1. Check all gaps. The dimensions must be according to the specifications from the dimension drawing in the SVA/SVI assembly instructions. If necessary, adjust the door leaf in the door frame. Then adjust the upper espagnolette bolt (see Figure 14, Chapter 6.2).
2. Carry out initial maintenance and pass this manual and the technical information for the locks to the facility operator. Refer the facility operator to the regular maintenance and recording duties (see Chapter 4).

## 4 Maintenance

Perform the following maintenance steps **at least once a month** to ensure safe use of the SVA/SVI lock:

- Check and operate all parts of the door lock. Ensure that they are fully operational.
- Ensure all the parts provided have been mounted and that no subsequent modifications have been made or additional locking devices added.
- Make sure that the locking points are not blocked and the espagnolette bolts are guided without friction.
- Check that the bolt has been retracted flush against the unlocked SVA. The bolt actuator must not protrude.



#### ATTENTION

##### Risk of drive damage from increased friction resistance in the lock components espagnolette bolts and switch lock.

Check the components for smooth operation. If necessary, adjust the door leaf in the door frame. Then adjust the upper espagnolette bolt (see Figure 14, Chapter 6.2).

- Use a force gauge to measure and record the actuating forces required to release the escape door lock. The actuating forces may be max. 70 N for escape doors according to EN 179 and max. 80 N for escape doors according to EN 1125. The actuating forces must not have changed significantly compared to the measurement after the initial installation.
- Clean the masking plate.
- Note the date of maintenance, the corrective actions taken and the name of the person performing the work.



#### Note

The locks have a permanent dry lubrication with bonded coating. If necessary, supplementary lubrication with Teflon spray (acetone-free) is permitted.

## 5 Disassembly and disposal

Disassembly is carried out in reverse order of the mounting instructions.



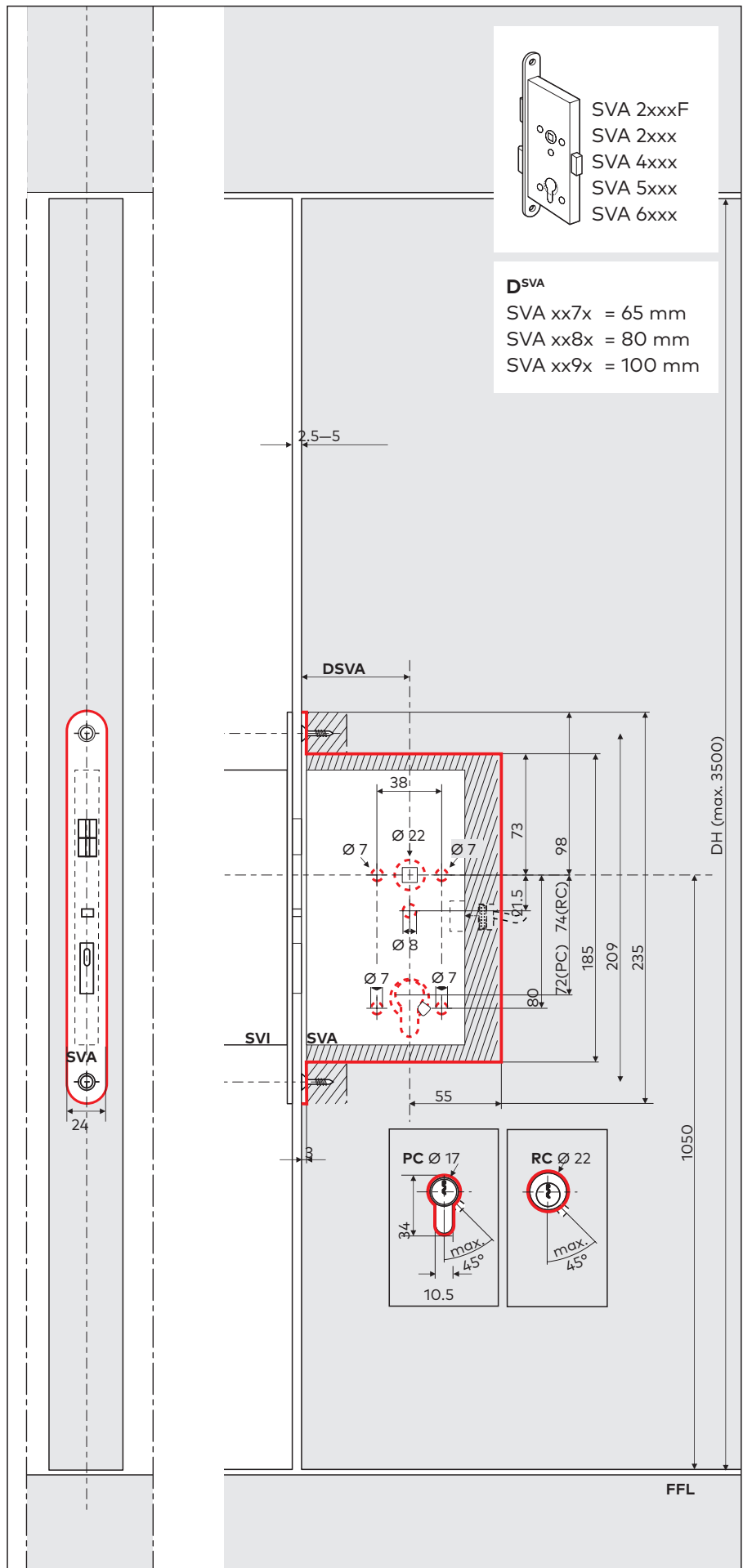
The product must not be disposed of in domestic waste.

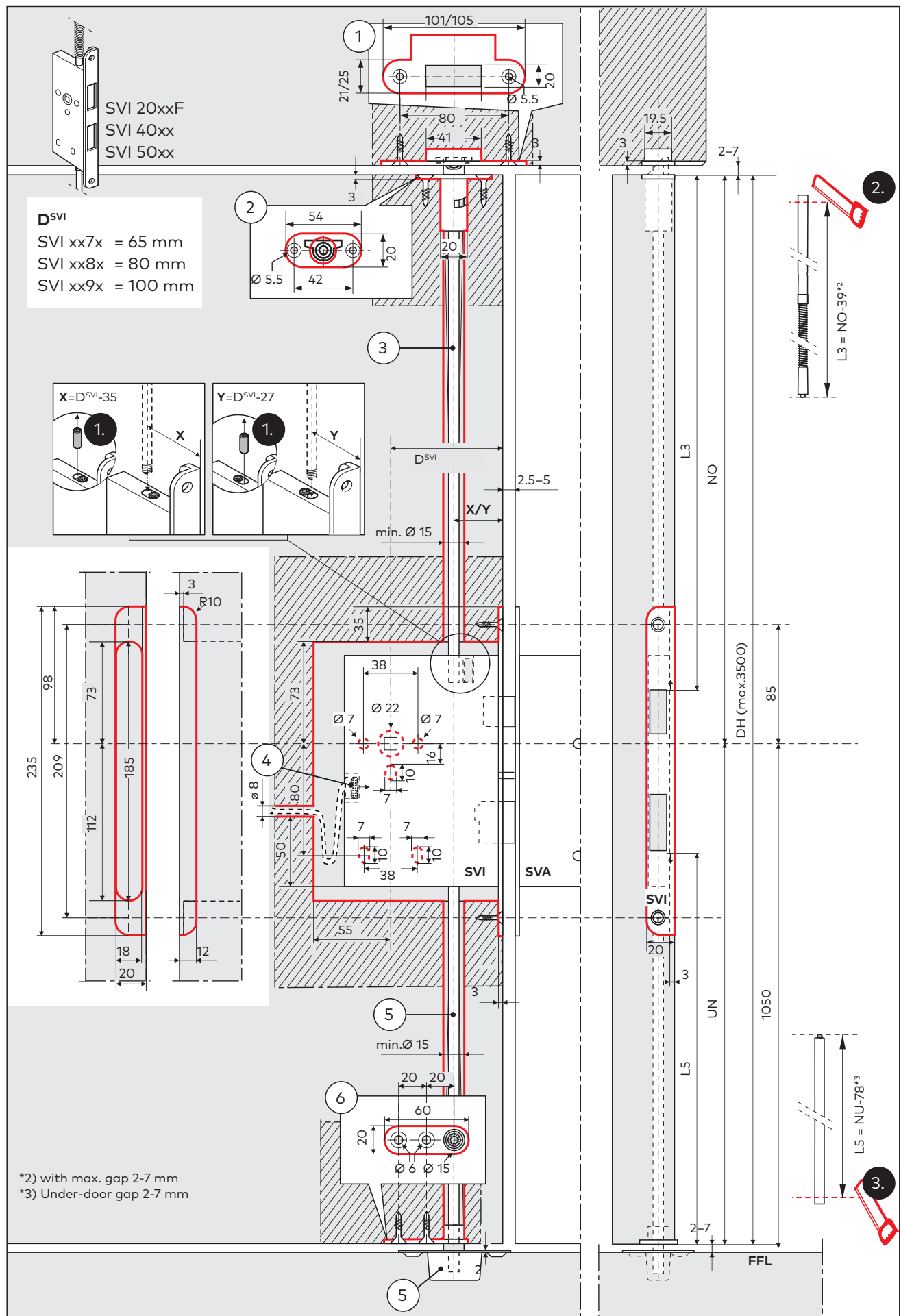
Dispose of the product in an environmentally friendly manner at the arranged acceptance and collection points.

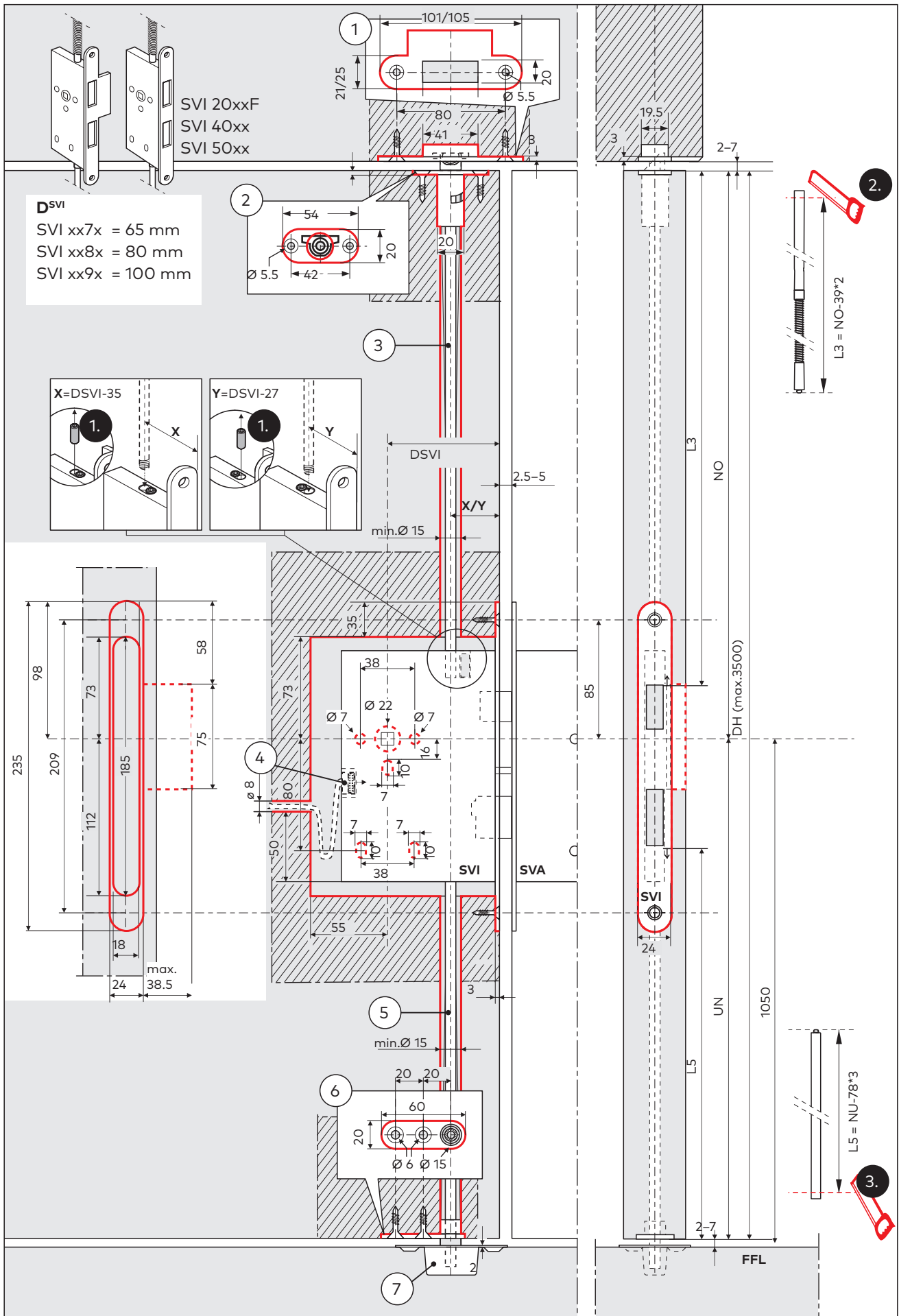
Observe the applicable national legal regulations.

## 6 Image section

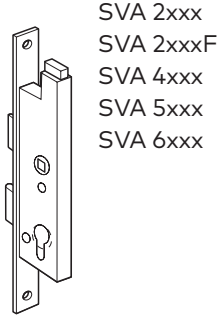
### 6.1 Dimensions





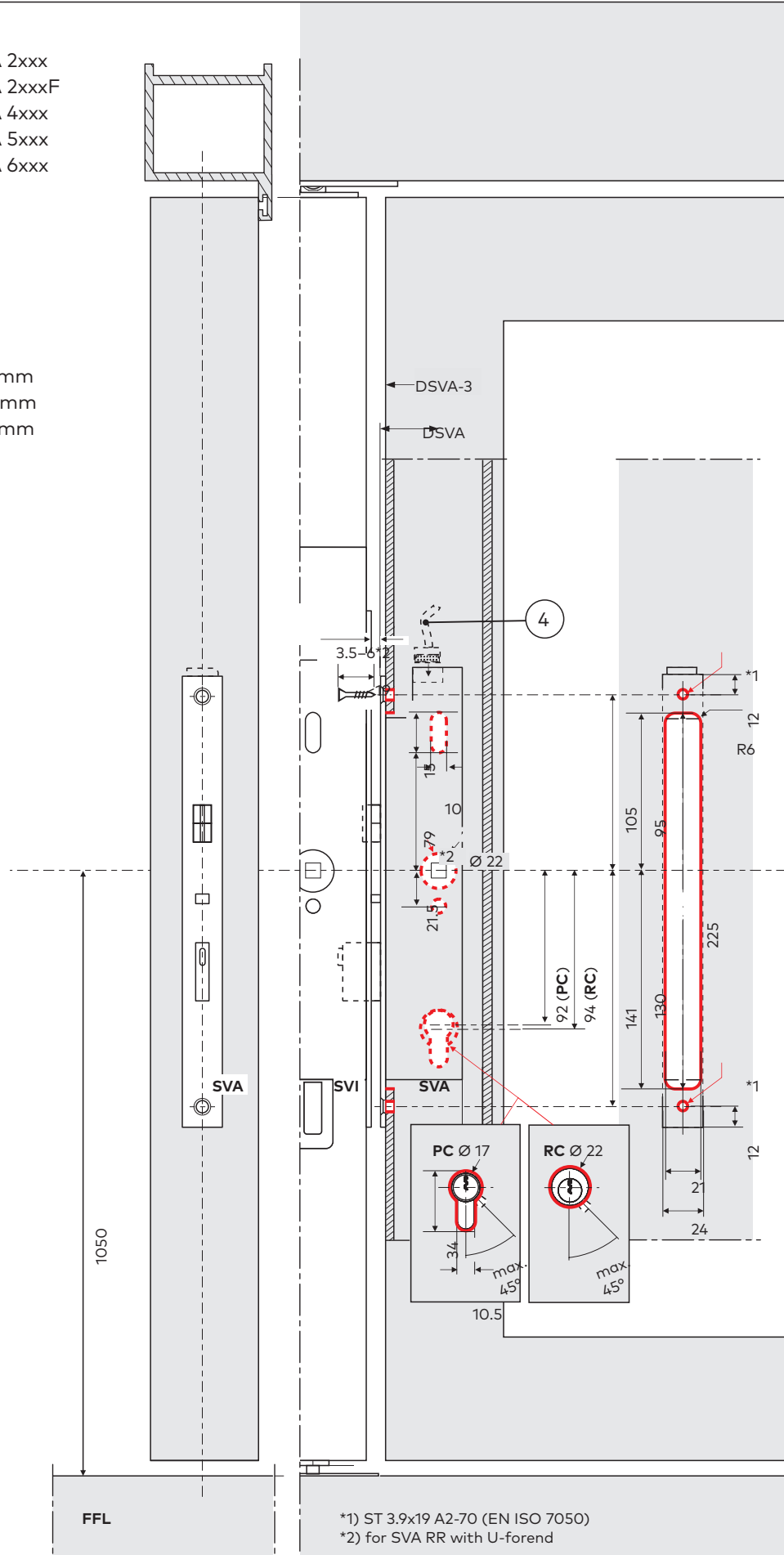


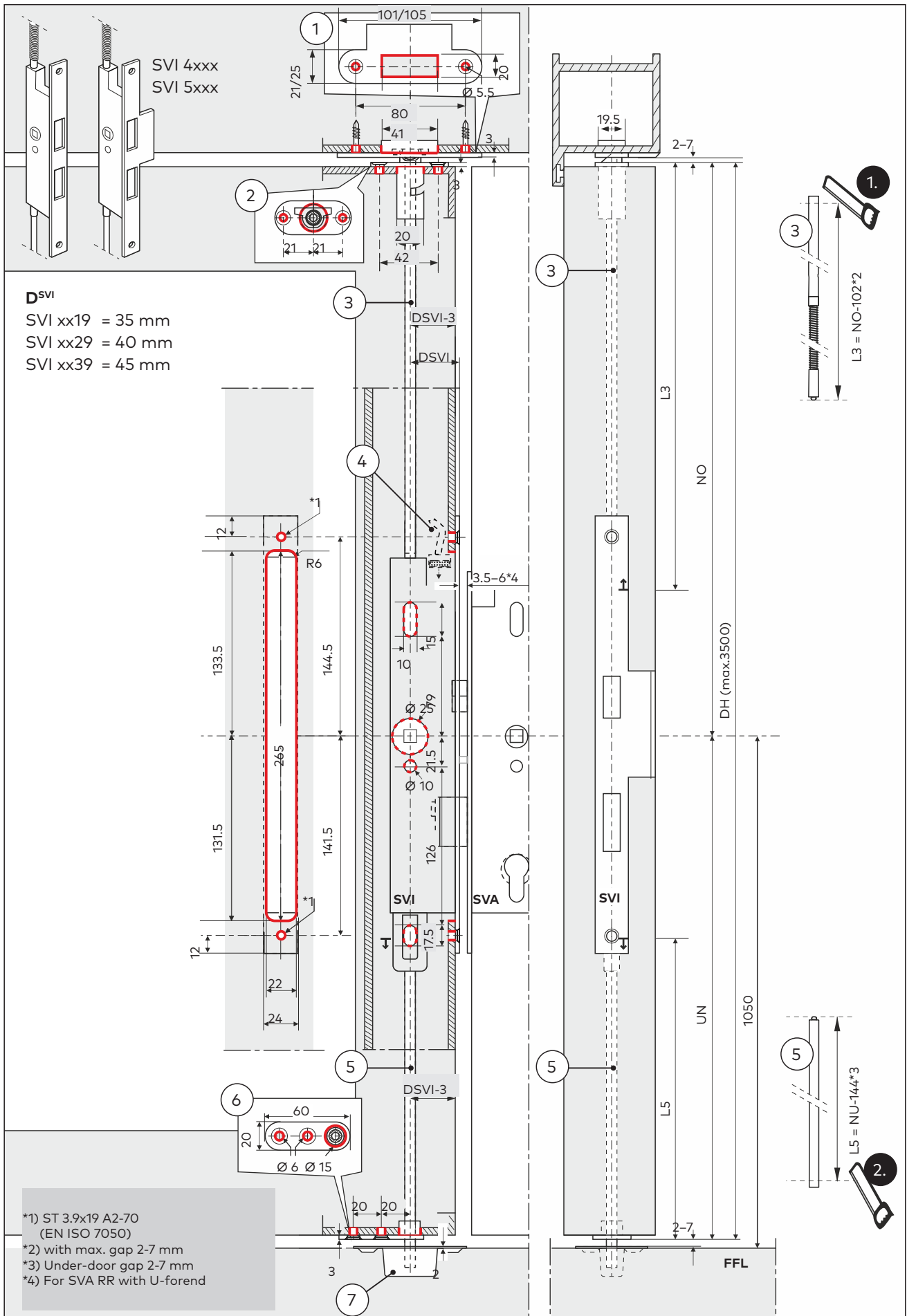


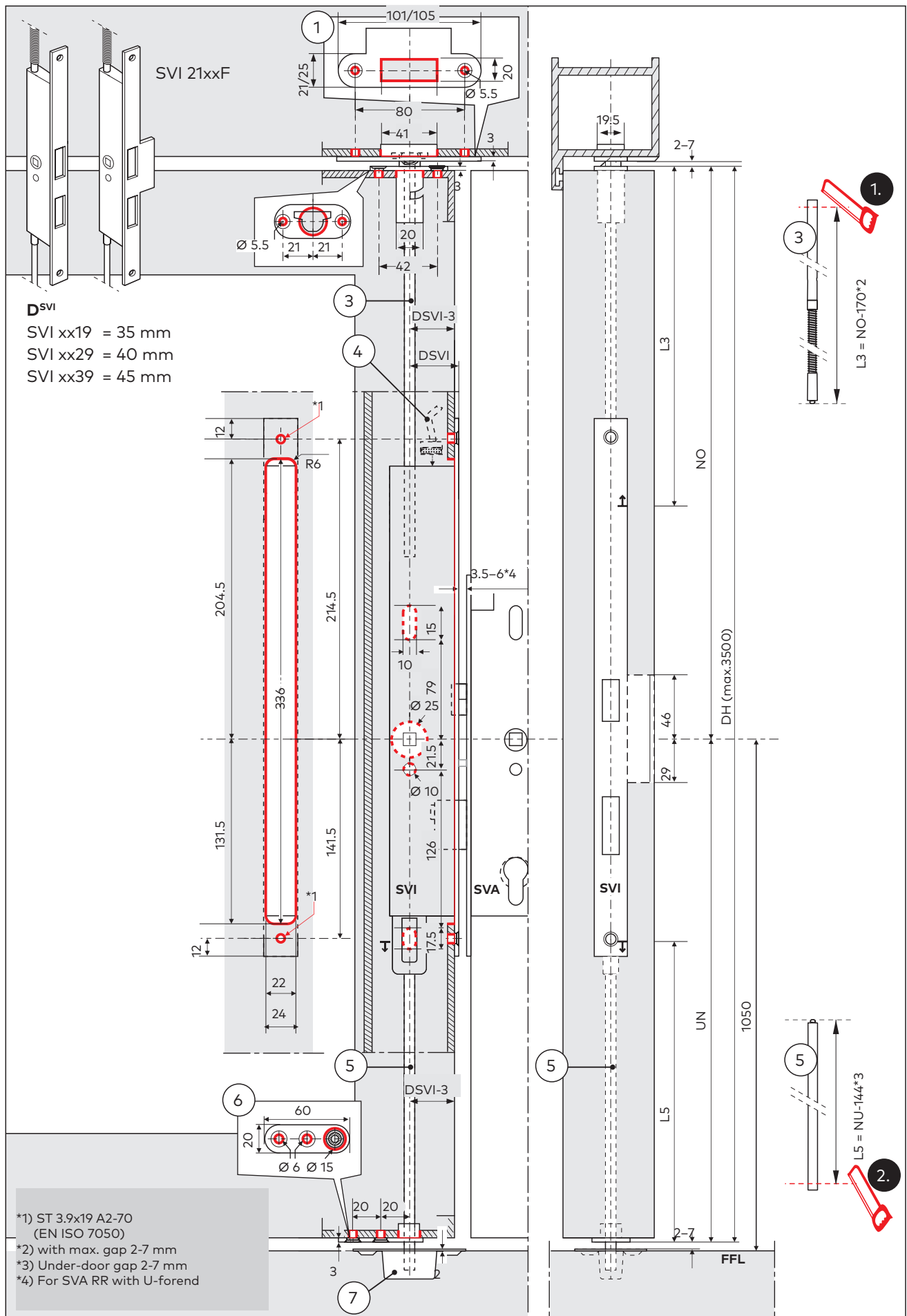


**D<sup>SVA</sup>**

- SVA xx19 = 35 mm
- SVA xx29 = 40 mm
- SVA xx39 = 45 mm



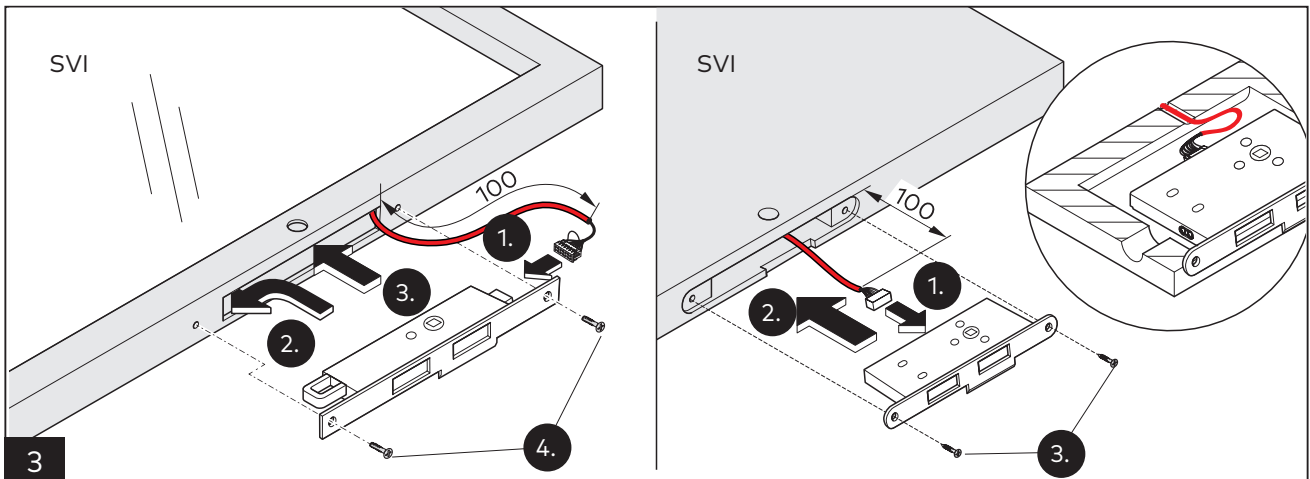
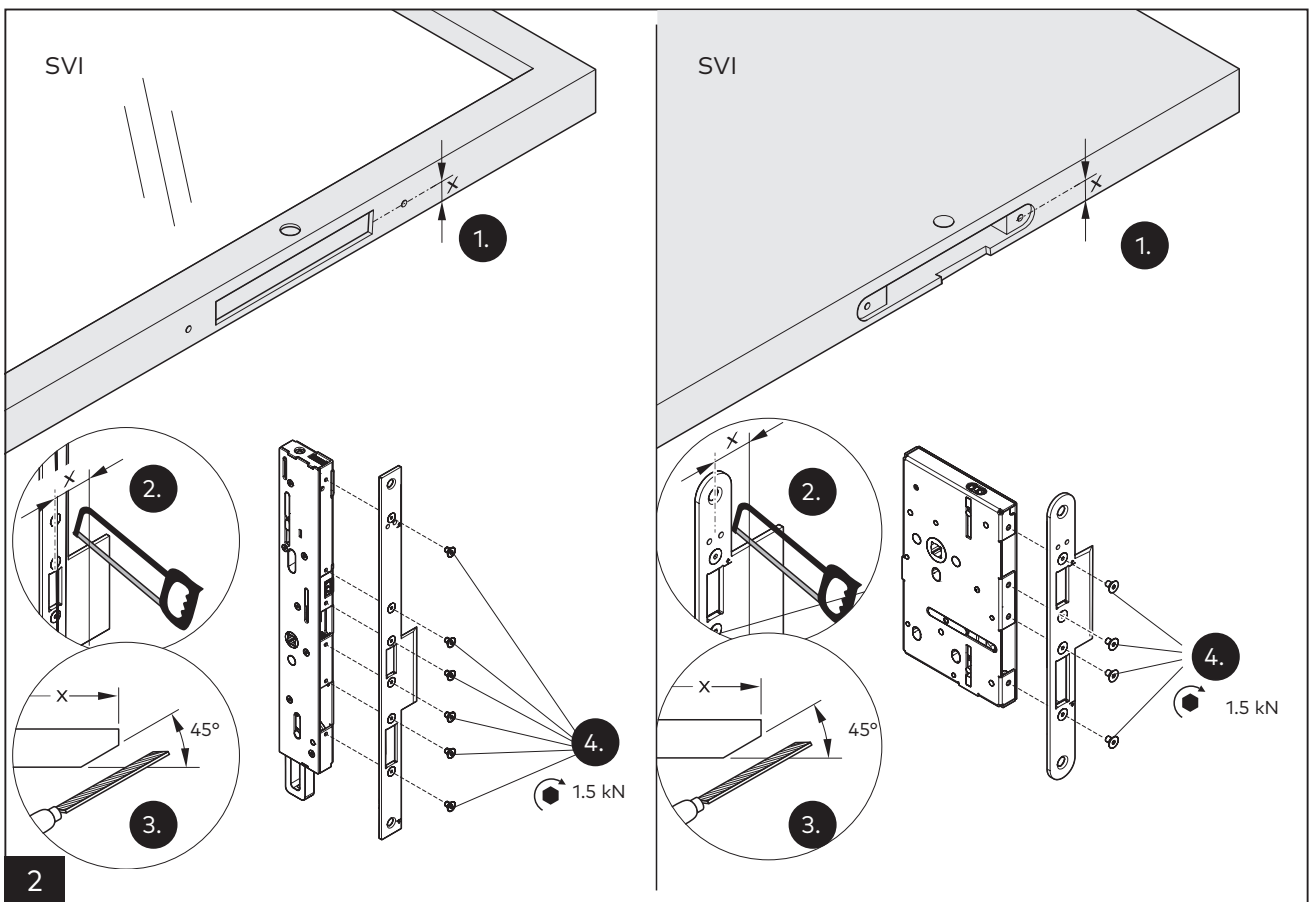
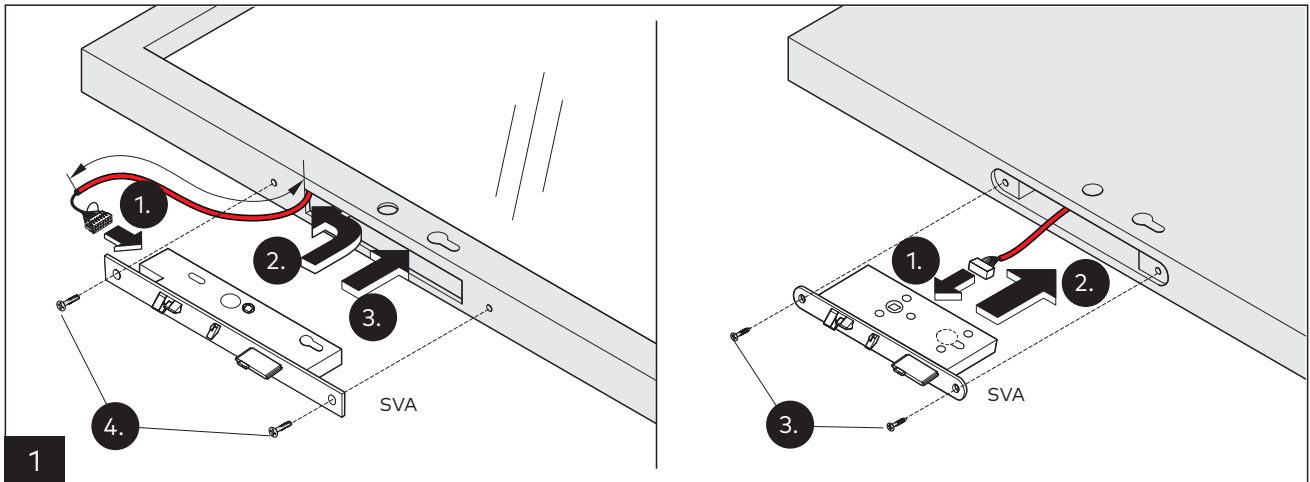


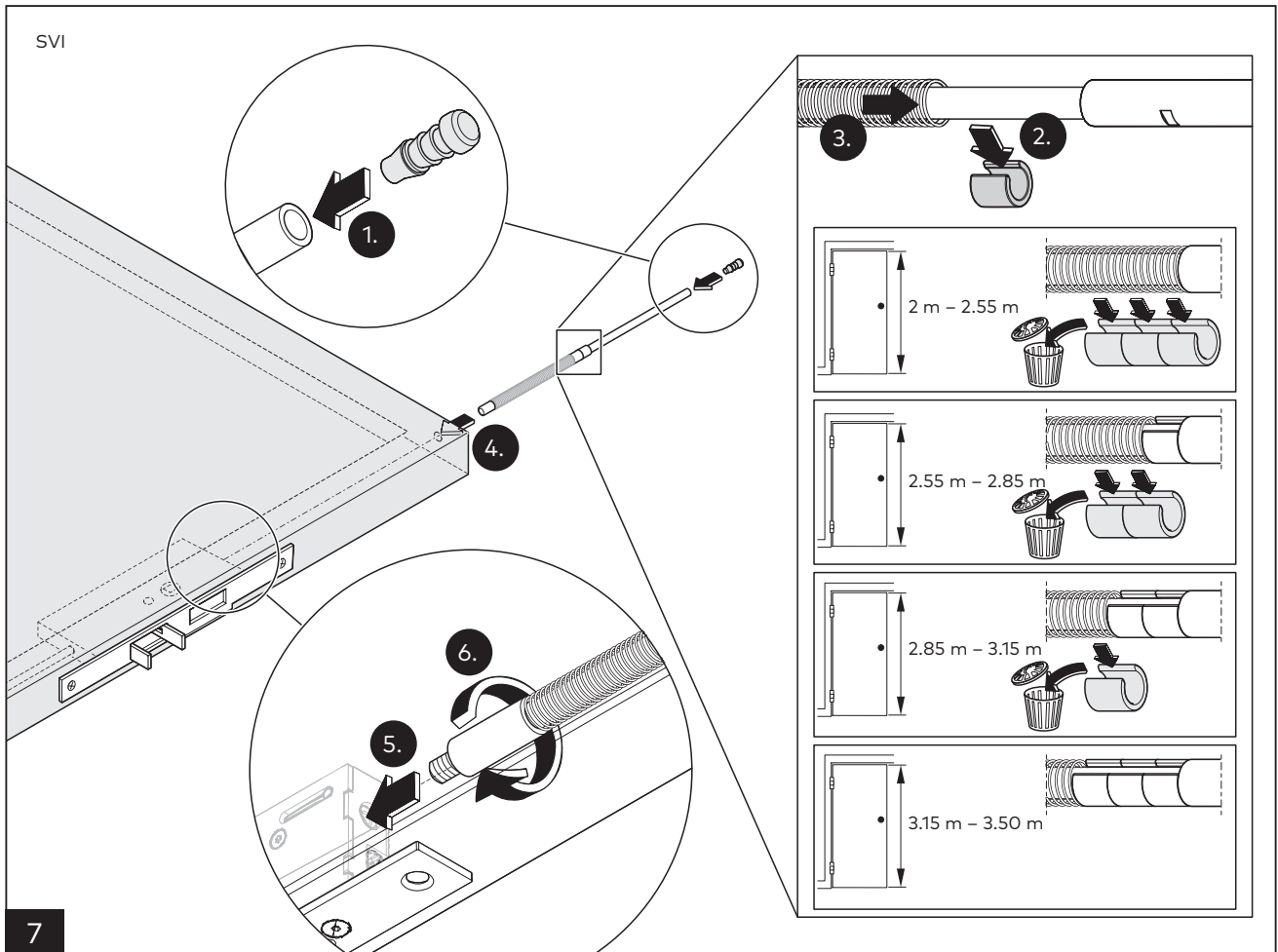
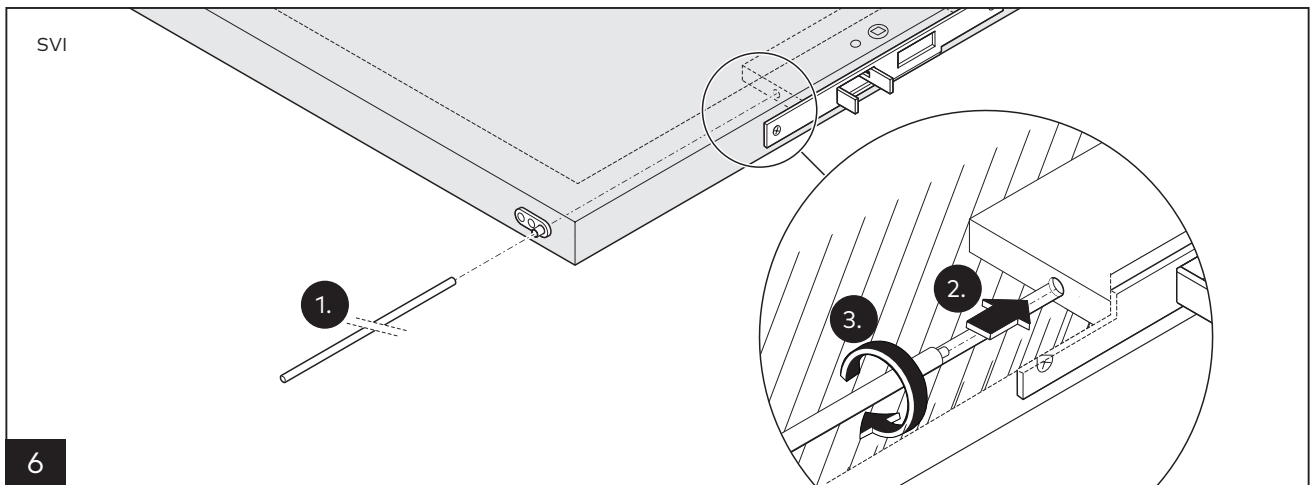
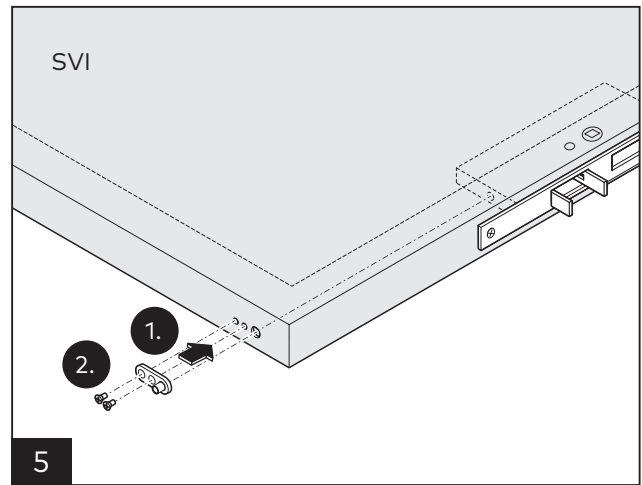
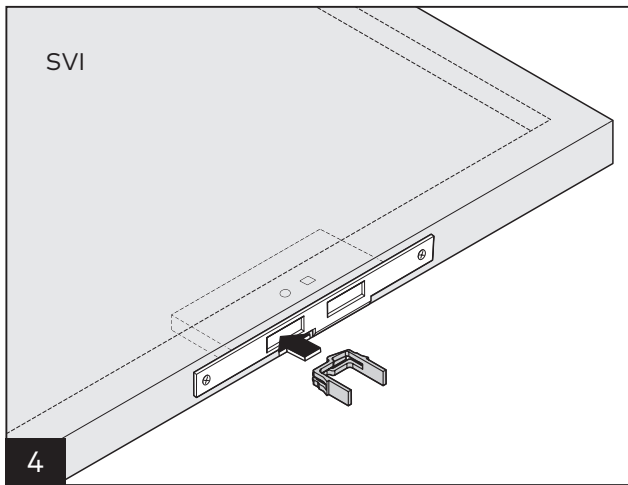


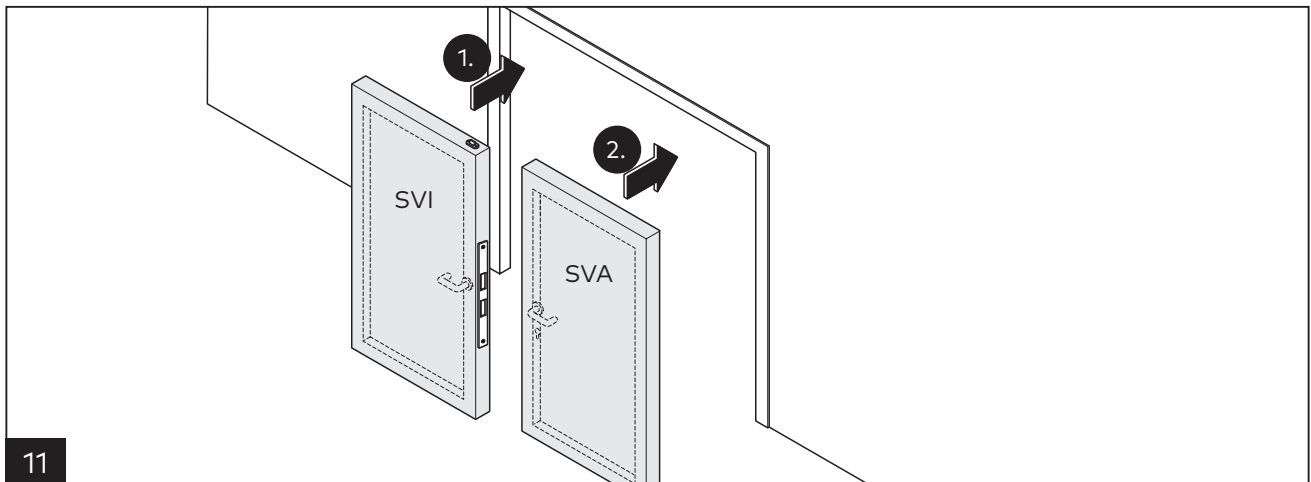
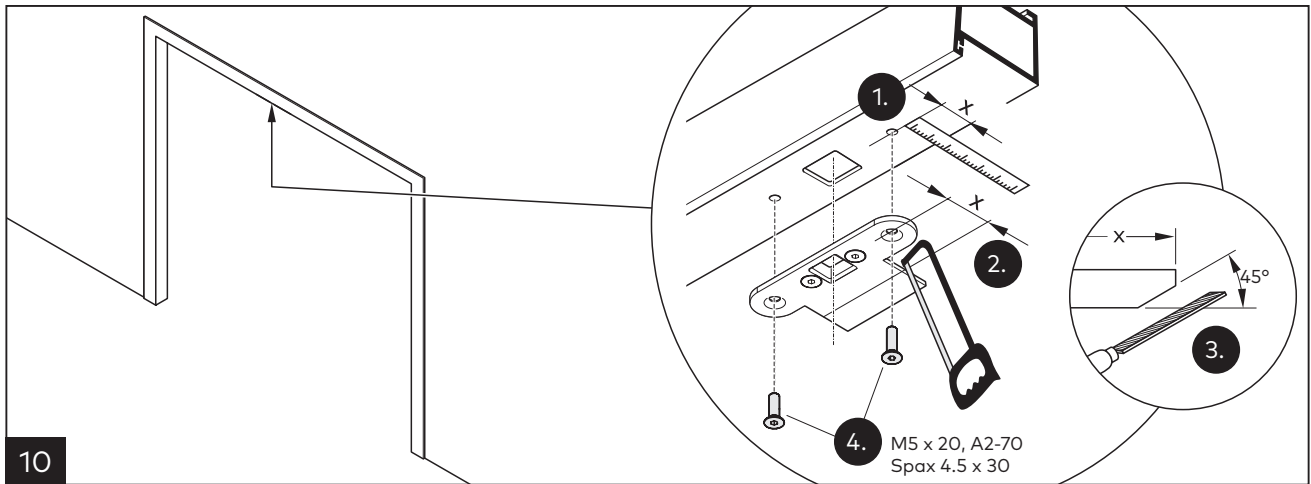
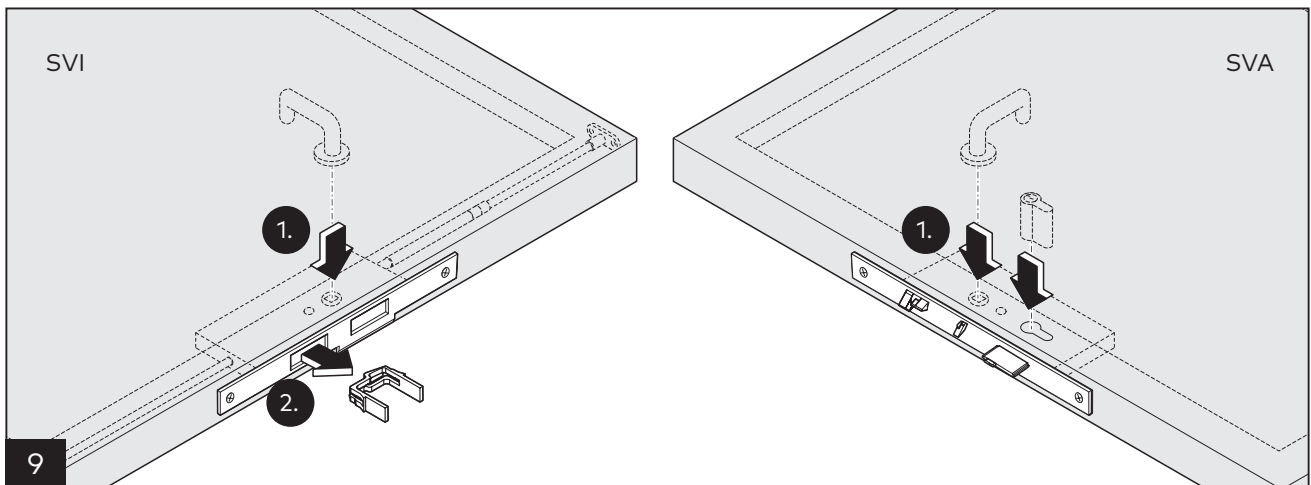
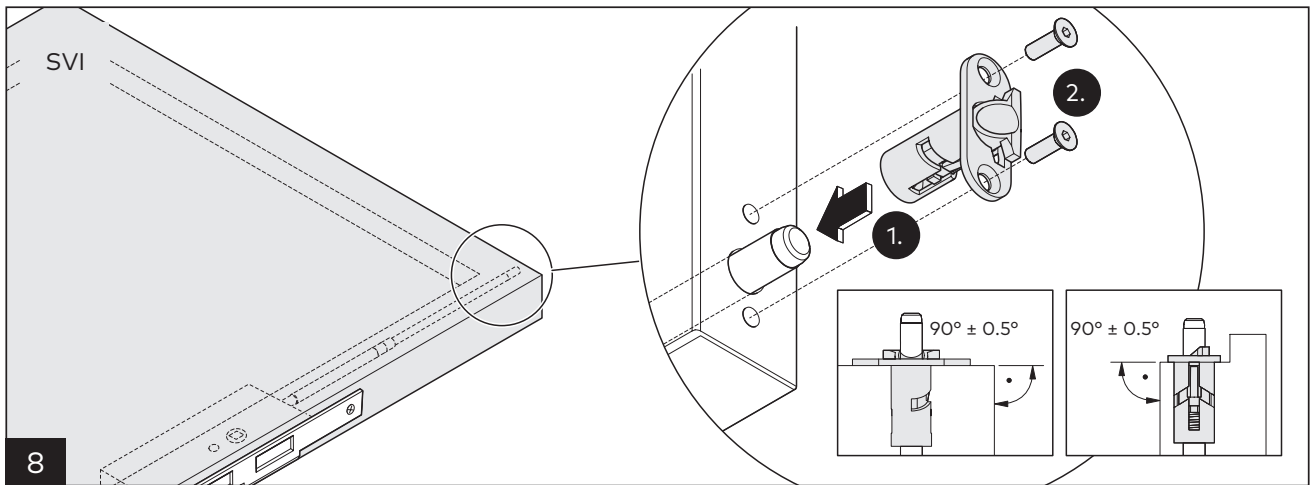
**D<sup>SVI</sup>**  
 SVI xx19 = 35 mm  
 SVI xx29 = 40 mm  
 SVI xx39 = 45 mm

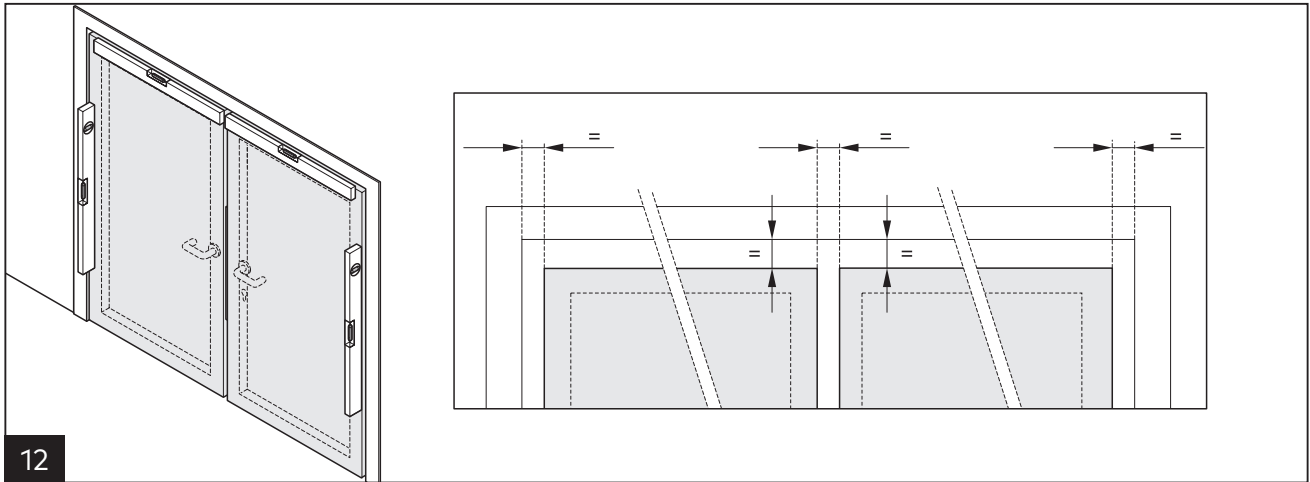
- \*1) ST 3.9x19 A2-70 (EN ISO 7050)
- \*2) with max. gap 2-7 mm
- \*3) Under-door gap 2-7 mm
- \*4) For SVA RR with U-forend

6.2 Mounting illustrations

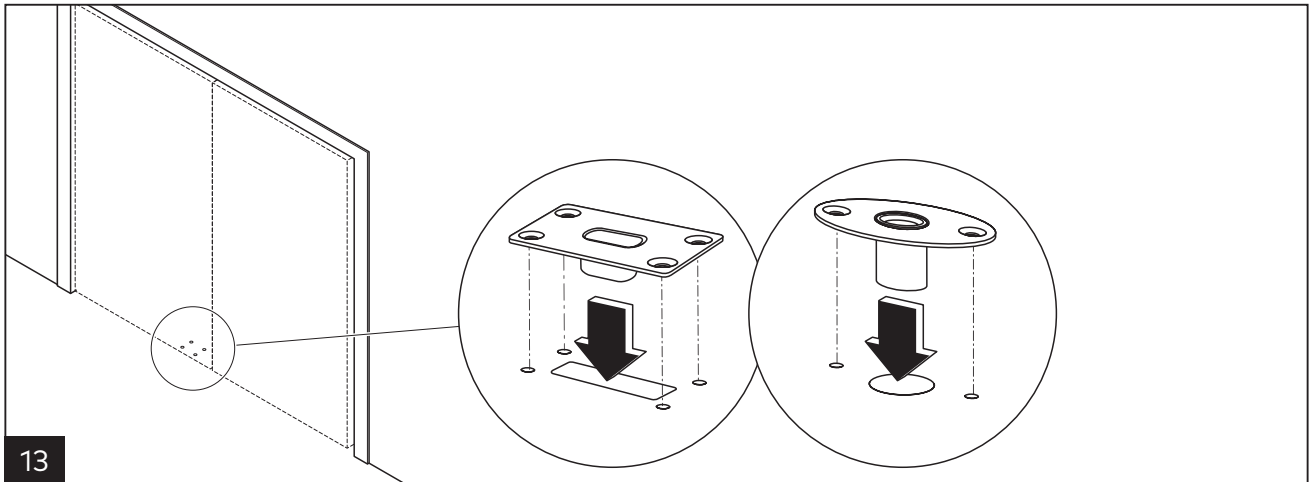




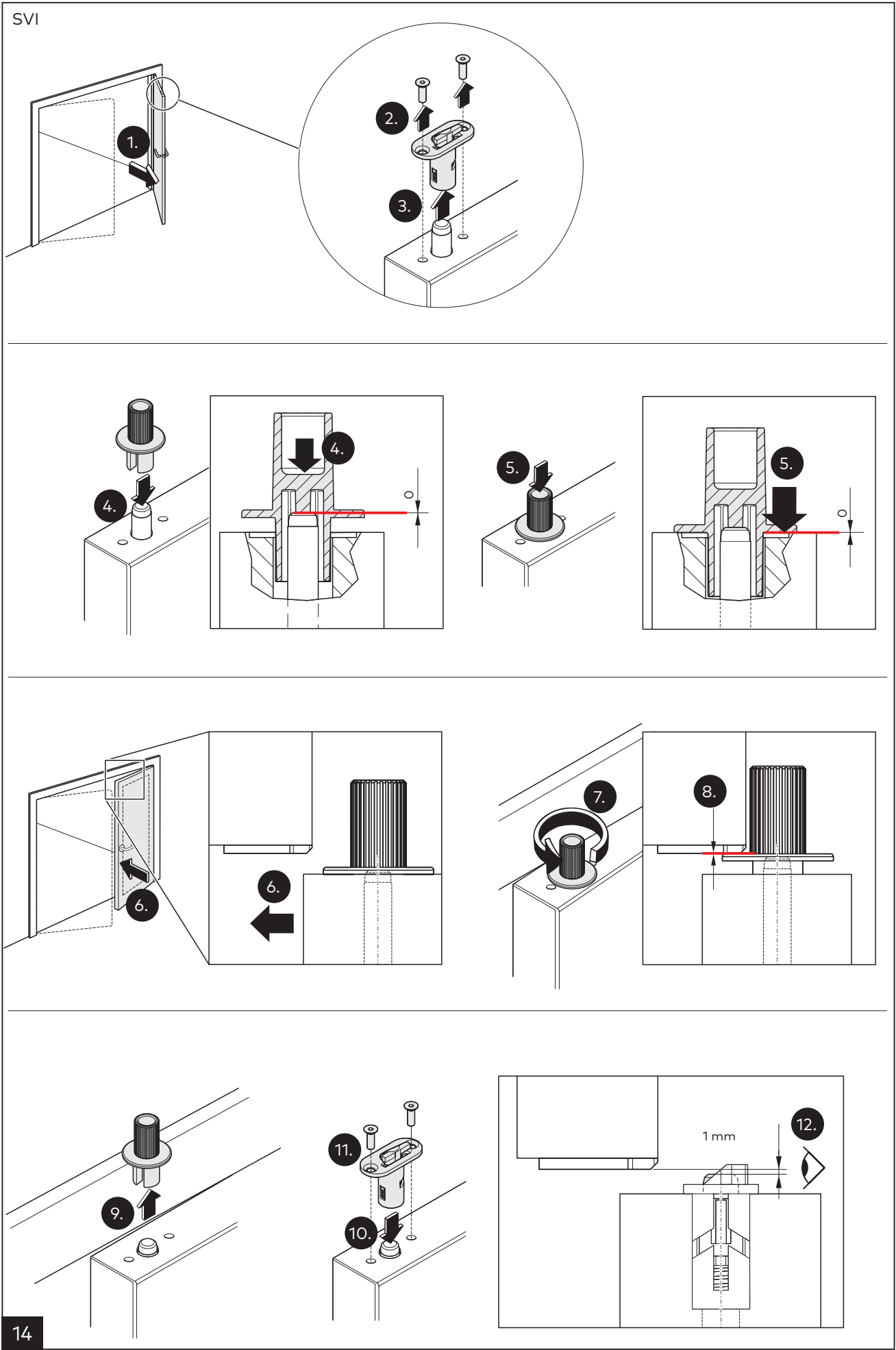




12

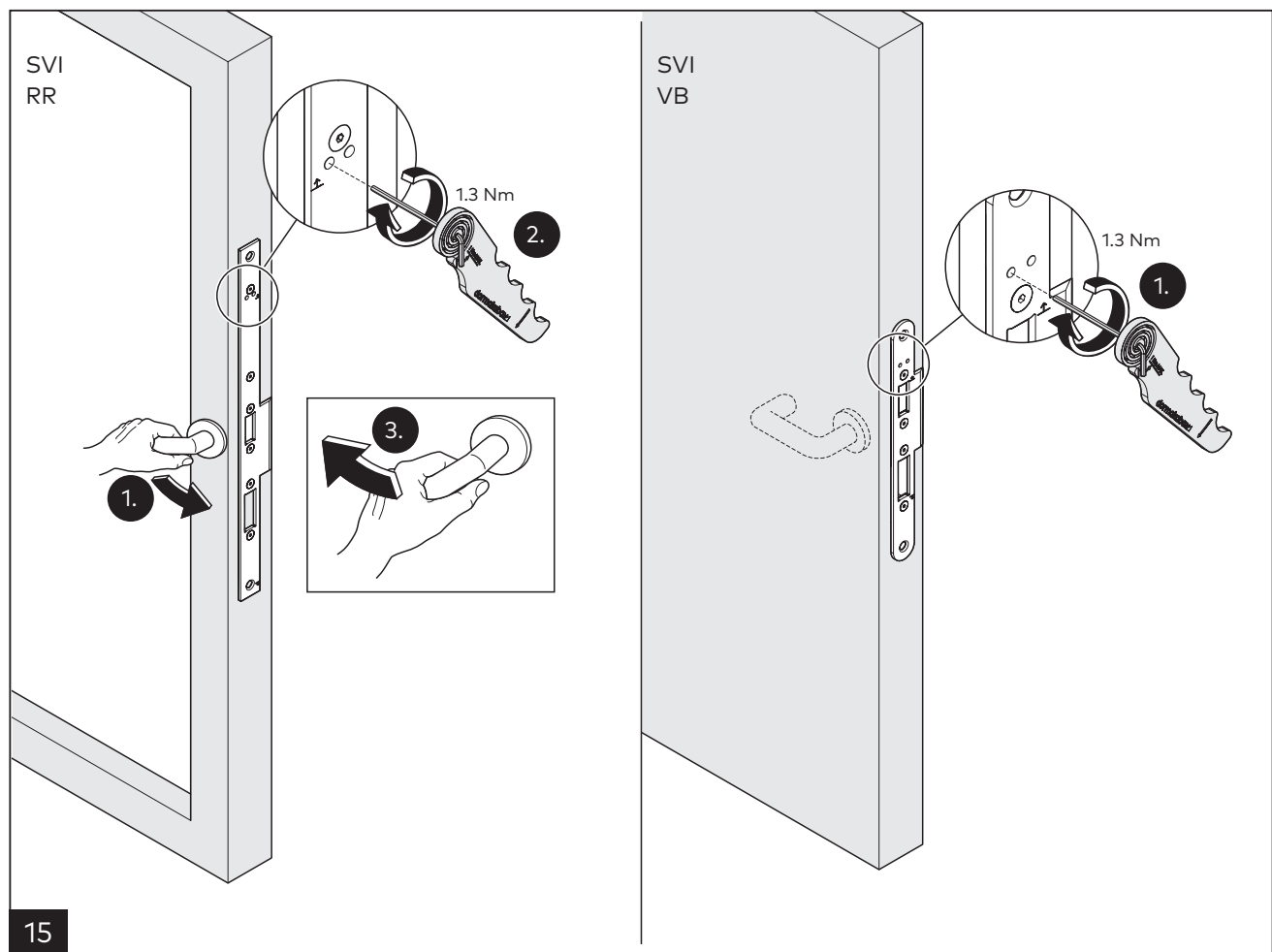


13



14





#### ATTENTION

When tightening the screw, the lock must be unlocked on tubular frame doors and locked on solid doors. Do not use the door handle for solid doors.





Copyright © dormakaba 2023



[www.dormakaba.com](http://www.dormakaba.com)

dormakaba Deutschland GmbH  
DORMA Platz 1  
58256 Ennepetal  
Germany  
+49 2333 793-0

[www.dormakaba.com](http://www.dormakaba.com)