

New, Improved VdS Lock Cylinders

VdS: Inspected. Approved. Safe.

VdS is an independent institution which has been ensuring safety and trust in the fields of fire protection and security for many decades and develops advanced safety concepts for significant industrial and commercial enterprises, leading manufacturers and system businesses as well as specialist firms and independent specialists.

The Inspection Services, certifications, state-of-the-art laboratories and extensive range of training services and publications put VdS in an ideal position to offer a unique, high-quality services portfolio that is increasingly setting new standards on the international market.

Mortise lock cylinders are certified by VdS according to various burglary security classes with and without pulling protection. All cylinders in classes AZ and BZ have integrated pulling protection in the lock cylinder. Cylinders graded with a „+“, which are installed ancillary control equipment of burglary alarm systems

have a higher security level against picking.

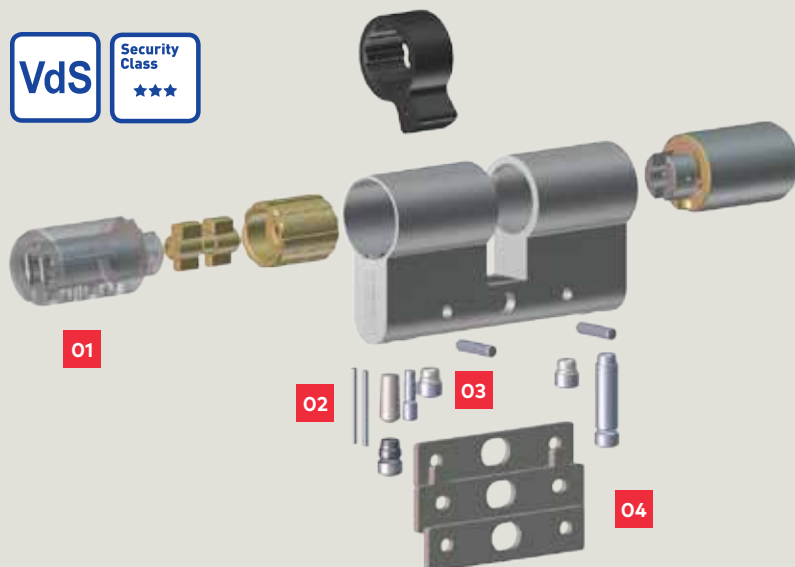
- Class A Basic security, no integrated pulling protection
- Class B Medium security, no integrated pulling protection
- Class B+ and high security against picking
- Class AZ Basic security with integrated pulling protection
- Class BZ Medium security with integrated pulling protection
- Class BZ+ and high security against picking

dormakaba security cylinders with VdS Certification

dormakaba cylinders in Europrofile systems are certified in separate versions according to VdS classes B and B+, BZ and BZ+ and for master key systems. The systems gemini plus, expert and matrix are approved to classes B/BZ. The systems penta, quattro plus and quattro S are approved to classes B+/BZ+ .

Advantage at a glance

With the new Kaba cylinder versions doors can be equipped with VdS approved cylinders in which convention pulling protection pins cannot be installed. These are mainly doors without anti-burglary door furniture (rosettes) and profile steel frame doors, which are estimated to make up 25% of all doors in Germany with VdS certification. In all, the new cylinder version without laterally installed anti-pulling pins, enable faster and simpler installation in the respective mortise door lock.



Specification

- 01** Anti-drilling pins in insert
- 02** Hardened anti-drilling pins in housing
- 03** Additional hardened insert fastening bolts against drilling and pulling
- 04** Steel plates against pulling

VdS Class BZ/BZ+, protection against drilling and pulling without security door furniture.

dormakaba double and thumbturn cylinders according to VdS BZ and VdS BZ+ have hardened pins in the housing and in the insert against drilling, as well as steel shims in the housing against pulling. These cylinders can be used without security door furniture.

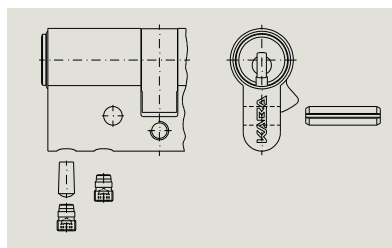
Double and thumbturn cylinders are equipped on one side with the following additional components:

- up to 7 hardened anti-drilling pins in the insert
- 2 hardened anti-drilling pins in the housing
- 1 hardened insert fastening pin
- 1 additional insert fastening screw
- 3 steel plates pinned in the housing

This version is not possible for single cylinders

Order Code „**VDSBZ**“ (example): *.DKZ.40VDSBZ+35RK.NI

VdS class BZ/BZ+, protection against drilling and pulling for single cylinders, only together with security door furniture



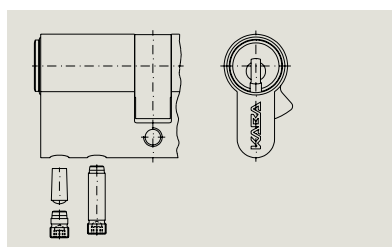
Single cylinders are equipped with the following additional components:

- up to 4 longitudinal anti-drilling pins
- 1 hardened insert fastening pin
- 1 pulling protection pin through the housing laterally

This version is only available for single cylinders. Order code „**VDSBZ**“ (example): *.HZ.40VDSBZ.NI

VdS Class B/B+, protection against drilling

Lock cylinders of class B haven no integrated pulling protection and must be used together with a certified burglary resistant door shield of grade B or higher with pulling protection.



Double, thumbturn and single cylinders are equipped with the following additional components:

- up to 4 longitudinal anti-drilling pins
- 1 hardened insert fastening pin

Order code „**VDSB**“ (example):

*.DZ.30VDSB+35.NI

*.DKZ.30VDSB+35RK.NI

*.HZ.40VDSB.NI

dormakaba Deutschland GmbH
 DORMA Platz 1
 58256 Ennepetal
 T: +49 2333 793-0
 F: +49 2333 793-49 50
 www.dormakaba.com