



DORMA FOR EDUCATION

Guidance and Design Solutions
for Internal and External Doors

CONTENTS



Automatic Doors	3	Door Closers	6	Panic hardware	12
Sliding and Revolving doors	3	and Fire Doors			
Space Saving doors	4	Overhead cam action closers	8		
Swing doors	5	Concealed door closers	9		
		Hold-open and free swing devices	10		



Security – Locks	14	Movable Walls	17	Service & Maintenance	19
Emergency escape locks	16			How to contact DORMA	20

Full technical documentation and specifiers guides are available for all the products listed within this brochure.

DORMA for Education

DORMA has many years' experience in providing products for education projects through government initiatives such as Building Schools for the Future and the newly developed Priority School Building Programme. We have produced this brochure to recommend products in the following areas which meet the criteria of both Approved Documents and British Standards:

- Entrance Doors
- Fire Doors
- Escape Doors
- Security (Locks)
- Movable Walls

In this brochure, initially we will look at automatic doors - the ideal solution to provide convenient access into and around a building, and most commonly selected for entrances. We will then consider the requirements for internal manual doors, the majority of which will be fire doors. Finally, we will examine internal space management options, namely movable walls, which greatly enhance the versatility of school buildings to ensure they can be readily adapted to the needs of all users.

AUTOMATIC DOORS



ES200: Bradford University



ES200: Noah's Ark Nursery

Automatic doors are the ideal solution to access into and around a building to meet the spirit of SENDA (Special Education Needs and Disability Act). Approved Document M states "A powered door opening and closing system, either manually controlled or automatically operated by sensors, is the most satisfactory solution for most people."

Automatic doors provide a means of opening and closing doors without the need for physical effort. For many people who lack physical ability or who are encumbered by bags containing text books or sports equipment, heavy manual doors can be a barrier to access. Automatic doors remove that barrier and reduce the maintenance costs associated with corridors and entrances that receive a large footfall.

Automatic Sliding Doors

The DORMA ES200 sliding door range is an excellent access solution and ideal in areas with heavy traffic. Tested to 1,000,000 cycles, they can be installed as single slide, bi-parting, telescopic or curved and can be linked to an access control system.



KTV: Liverpool Hope University

Revolving Doors

Many larger educational establishments wish to create an impressive entrance to their building and a DORMA revolving door is the perfect way to achieve this.

A revolving door acts as an airlock keeping out draughts, noise, dust and dirt. They can be tailored to your exact requirements, though we would always recommend fitting automatic pass doors to allow for access by those who do not wish to, or cannot, access the revolving door.

Space Saving Doors

DORMA offer both folding doors (FFT) and balanced doors (RST) which are ideal for situations where space is restricted.

RST

The DORMA RST has a unique swivelling action, elegant design and excellent space-saving characteristics.

The supporting structure and the open door occupy only a hand's breadth, and even at its maximum, the sweep of the door is only a few centimetres outside the door line.



RST

FFT

An important feature of the DORMA FFT folding door is that it doesn't inhibit the door opening and occupies the minimum of depth when open.

It is especially suitable for narrow door openings, passageways and for other locations where space is limited.



FFT: Blackburn College



ED 100 / 250 A

Automatic Swing Doors

DORMA ED 100A / ED 250A swing doors are perfect for both new doors or when retro fitted to existing doors. Tested to 1,000,000 cycles and CERTIFIRE tested for use with fire doors, the slimline design is ideal as an entrance solution or room access. The revolutionary “Wind Load Control” function allows unprecedented performance up to 150 Newtons for both opening and closing the door. The ED 100A / ED 250A offers an integrated Energy Saving Mode function which allows the safety sensors to be switched to standby when not in use to minimise unnecessary power consumption.



ED 100 / 250 A



ED 100 / 250 LE

Low Energy Doors

Heavy manual swing doors can be a barrier to access. The DORMA ED 100LE / ED 250LE offers a range of operating modes which enable the door to be opened under power when required and used as a conventional manual swing door at all other times. There are a range of activation devices including push pads, remote controls or linking the operator to an access control system. The DORMA ED 100LE / ED 250LE is tested to 1,000,000 cycles and Certifire tested for use with fire doors. The slimline design is ideal for compact rooms including accessible toilets.

FIRE DOORS



TS 92: Loreto College

FIRE DOORS

The majority of doors within a school will be fire doors. Their purpose is to help stop the spread of fire through a building. As such it is literally a “matter of life or death” that they are closed securely should a fire occur. It is therefore vital that the correct ironmongery is specified: the door closer, the lock, the handle and the intumescent seal. Firstly, let us look at specifying the correct door closer.

There are two main considerations in specifying the correct door controls:

- does it satisfy the necessary fire regulations?
- does it satisfy the requirements of the Special Educational Needs & Disability Act (SENDA)?

The Door Closer

It is essential that the door closer:

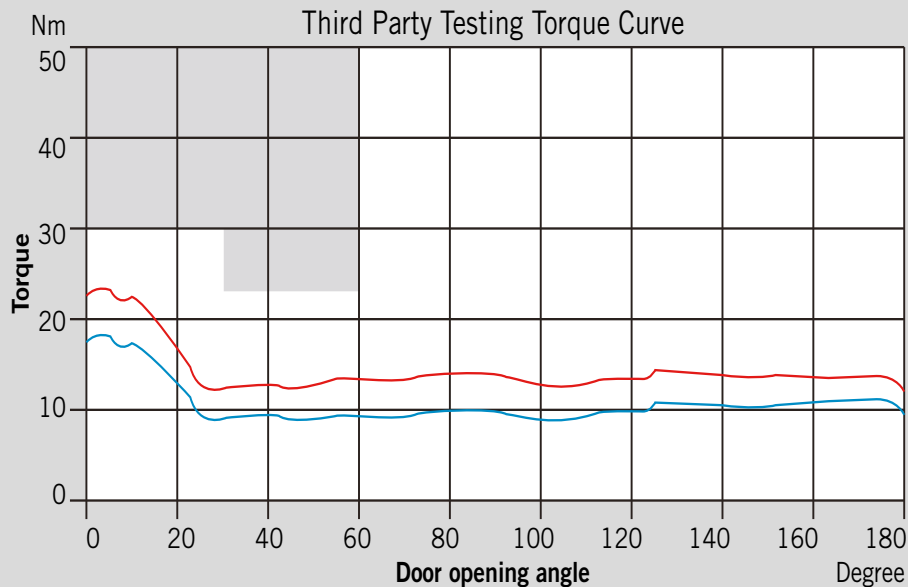
- is CE marked to BS EN1154
- is CERTIFIRE approved
- is set at a minimum spring strength of EN3
- meets the requirements of SENDA



BS EN1154 Controlled Door Closing Devices

All DORMA Door Closers are CE Marked to BS EN1154 and have been cycle tested to over 1 million cycles without showing any appreciable wear. Under BS EN1154 the door closer when fitted to a fire door must be set at minimum spring strength of EN3.

Product TS93
Size EN2-5





CERTIFIRE Approved

CERTIFIRE are an independent approvals board for the testing of fire doors and all associated ironmongery. It is worth noting that an approved door will become invalid if approved ironmongery is not fitted. All DORMA Door Closers are CERTIFIRE approved.

SENDA (Special Education Needs & Disability Act)

The requirement of SENDA is that a person is not disadvantaged by their disability in gaining access around a building. The specific performance of door closers in meeting this requirement is detailed within Approved Document M (ADM) in England and Wales / Section 3 in Scotland / Part R in Northern Ireland, of the Building Regulations and BS8300: 2009, Incorporating Amendment No.1.

This states:

"...a door closer must produce an opening force of below 30N between 0 and 30 degrees and below 22.5N between 30 and 60 degrees..."

On a fire door this must be achieved at minimum spring strength of EN3. Not all door closers available in the market can meet the criteria.

All DORMA door closers carry third party test evidence to demonstrate their ability to comply with the requirements of ADM and BS8300.

FURTHER CONSIDERATIONS

in selecting door closers



FEATURES

Backcheck

Backcheck ensures the safe deceleration and restraint of a door which has been aggressively opened thereby protecting both the door and the surrounding area. This can be a significant factor in reducing the overall building maintenance costs as walls, doors and projecting ironmongery will not have to be repaired and replaced as often. Most DORMA door closers feature "Thinking Backcheck" which allows a door to be fully opened through normal operation without incurring any increased resistance.

If however the door is *thrown open* in an abusive manner, the "Thinking Backcheck", which is directly proportional to the acceleration of the door when operated, will cushion and arrest the door at 85° to 90° to prevent damage to any adjacent wall, door furniture or the door itself.



Delayed Action

Delayed Action allows the door to stay open longer and a greater number of people to go through the door before it begins to close. With Delayed Action, the door is opened and then delays for a set period of time before closing. The delay is adjustable by valve and can be adjusted to suit each application. This would be very useful on a classroom door allowing all of the occupants who would be accessing the door at the same time, to either enter or leave the room with just one opening and closing cycle of the door. When this is compared to 20 to 30 individual operations it would lead to a significant reduction in the life cycle costs.

CAM ACTION DOOR CLOSERS



Approved Document B



Approved Document M

OVERHEAD CAM ACTION DOOR CLOSERS

The traditional type of door closer is known as a rack and pinion closer which must be used with a projecting scissor arm. However DORMA recommends the selection of cam action door closers instead of these for two reasons:

- Due to their unique cam action they can achieve the requirements of ADM and BS8300* compliance within a greater tolerance than traditional rack and pinion door closers. This is particularly important as hinges and intumescent seals will provide additional resistance to opening and closing.
- Cam action closers have been especially designed for use with slide arm and channels. Traditional rack and pinion door closers can only operate efficiently with standard projecting scissor arms. The use of slide arms within a school dramatically reduces the risk of vandalism as the arm and channel are far less obtrusive than scissor arms. In addition to this there are no fixings visible on the closer mechanism or the slide channel. This combination of slide arm and channel with cam action will result in ease of operation by all users, is less vulnerable to abuse and vandalism and will therefore lead to improved life cycle costs.



Dunston School



TS93 in Contur Design: Silver, Coloured, Stainless Steel and Polished Brass



TS93 with Softline cover: Silver, Coloured, Stainless Steel, Polished Chrome and Polished Brass

DORMA TS93 EN2-5 Cam Action Closer

- Adjustable power EN2-5
- Adjustable thinking backcheck
- Adjustable delayed action
- CERTIFIRE approved for 2 hours on timber doors and 4 hours on metal doors CF119
- Optional mechanical cushion stop available (can be retro-fitted)
- Optional mechanical switchable hold open device (not for fire doors, can be retro-fitted)

BS EN1154 Classification Number 4 8 2/5 1 1 4

ADM/BS8300* Compliance:

- Minimum door width when fitted at size EN3 = 767mm
- Opening force at the leading edge when fitted at size EN3 on a 926mm wide door = 24.85N

DORMA TS92 EN2-4 Cam Action Closer

- Adjustable power EN2-4
- CERTIFIRE approved for 2 hours on timber doors and 4 hours on metal doors CF119
- Optional mechanical cushion stop available (can be retro-fitted)
- Optional mechanical switchable metal doors CF119 hold open device (not for fire doors, can be retro-fitted)

BS EN1154 Classification Number 4 8 2/4 1 1 3

ADM/BS8300* Compliance:

- Minimum door width when fitted at size EN3 = 733mm
- Opening force at the leading edge when fitted at size EN3 on a 926mm wide door = 23.75N

DORMA TS91 EN3 Cam Action Closer

- Power size EN3
- CERTIFIRE approved for 2 hours on timber doors and 4 hours on metal doors CF119
- Optional mechanical cushion stop available (can be retro-fitted)
- Optional mechanical switchable hold open device (not for fire doors, can be retro-fitted)

BS EN1154 Classification Number 4 8 3 1 1 3

ADM/BS8300* Compliance:

- Minimum door width when fitted at size EN3 = 867mm
- Opening force at the leading edge when fitted at size EN3 on a 926mm wide door = 28.10N

* Also Section 3 in Scotland & Part R in N. Ireland.

CONCEALED DOOR CLOSERS



Approved Document B



Approved Document M



The ITS96 is concealed within the door leaf and frame and is not visible when the door is shut.

CONCEALED CAM ACTION DOOR CLOSERS

In addition, DORMA offers a concealed cam action door closer (ITS96) that is concealed in the door leaf and frame. This means it is less prone to vandalism and is also ideal for prestigious doors.

DORMA ITS96 EN2-4 Cam Action Closer

- Adjustable power EN2-4
- Unit completely concealed in the door
- CERTIFIRE approved for 1 hour on timber doors and 4 hours on metal doors CF140
- Mechanical cushion stop as standard
- Optional mechanical switchable hold open device (not for fire doors, can be retro-fitted)
- Opening force at the leading edge when fitted at size EN3 on a 926mm wide door = 23.75N

BS EN1154 Classification Number 3 8 2/4 1 1 4

ADM/BS8300* Compliance:

- Minimum door width when fitted at size EN3 = 733mm



Only the closer arm is visible when the door is in the open position.

DORMA ITS96 EN3-6 Cam Action Closer

- Adjustable power EN3-6
- Unit completely concealed in the door
- CERTIFIRE approved for 1 hour on timber doors and 4 hours on metal doors CF140
- Mechanical cushion stop as standard
- Optional mechanical switchable hold open device (not for fire doors, can be retro-fitted)
- Opening force at the leading edge when fitted at size EN3 on a 926mm wide door = 28.10N

BS EN1154 Classification Number 3 8 3/6 1 1 4

ADM/BS8300* Compliance:

- Minimum door width when fitted at size EN3 = 867mm



BTS75V
Stainless Steel or Polished Brass
Cover Plate

FLOOR SPRINGS

Floor springs are another alternative to overhead door closers and are suitable for single or double action doors. They provide ease of operation and as they are concealed within the floor - good protection against door closer abuse or vandalism. The DORMA Floorsprings listed within this brochure are all CERTIFIRE Approved and CE Marked to BS EN1154.

DORMA BTS75V EN1-4 Floor Spring

- Adjustable power EN1-4
- Universal for single or double action doors
- Backcheck
- Optional adjustable delayed action model available
- Optional mechanical hold open model available (not for fire doors)
- CERTIFIRE approved for 1 hour on timber doors and 4 hours on metal doors CF127
- Opening force at the leading edge when fitted at size EN3 on a 926mm wide door = 24.85N

BS EN1154 Classification Number 3 8 1/4 1 1 4

ADM/BS8300* Compliance:

- Minimum door width when fitted at size EN3 = 767mm



RTS87

TRANSOM CLOSERS

Transom closers are the ideal alternative where floorsprings cannot be used. DORMA Transom closers provide the performance of DORMA Floorsprings and are suitable for single and double action doors. They provide ease of operation and as they are concealed within the Transom, good protection against door closer abuse or vandalism.

DORMA RTS 87 EN1-4 Transom Closer

- Adjustable power EN1-4
- Backcheck
- CERTIFIRE approved for 1 hour on timber doors CF127
- Opening force at the leading edge when fitted at size EN3 on a 926mm wide door = 25.92N

BS EN1154 Classification Number 3 8 1/4 1 1 4

ADM/BS8300* Compliance:

- Minimum door width when fitted at size EN3 = 800mm

SITUATIONS

when you would prefer not to keep the door closed



Holy Trinity School



Electro-magnetic door closers are connected to the fire alarm to allow the door to be held open during normal use. Upon activation of the fire alarm or a power failure, the door closer will close the door securely.

Electro-Magnetic Hold Open Devices

When electro-magnetic hold open devices are fitted to doors they dramatically help to improve access in and around any building, particularly in corridors. They allow doors to be held open during normal use and close upon activation of the fire alarm or power failure (fail safe). Once activated, the door closer will close the door and then perform as a normal door closer until the alarm is de-activated or the power restored.

All the DORMA electro-magnetic devices listed within this brochure are CERTIFIRE Approved and CE Marked to BS EN1155 (Electronically powered hold-open devices for swing doors). They are perfect for meeting the requirements of ADM and BS8300*. In addition they reduce the life cycle costs as the doors are rarely operated other than for periodical maintenance checks, or if the power is switched off at night.

Electro-Magnetic Free Swing Devices

When electro-magnetic free swing devices are fitted to doors they allow doors to be operated without the user feeling any resistance from the door closer mechanism. In addition to this they allow the door to be left in any position, performing as if the door had no closing device fitted. Upon activation of the fire alarm or power failure (fail safe) the free swing device will close the door from any position it was left in, and then perform like a normal door closer until the alarm is de-activated or the power restored.

All the DORMA free swing devices listed within this brochure are CERTIFIRE Approved and CE Marked to BS EN1155. As a free swing door closer operates with no opening resistance it is compliant with the requirements of ADM and BS8300*.



© Anthony Weller/
VIEW & DLA
Architecture

ELECTRO-MAGNETIC HOLD OPEN DOOR CLOSERS



TS93EMF in Contur Design

DORMA EMF Electro-Magnetic Hold Open Channel for use with DORMA Cam Action Closers

- Electro-magnetic hold open channel operating on 24V DC
- Can be used with TS93, TS92 or TS91 door closers
- Single selectable hold open point from 80° to 120°
- Adjustable hold open and manual release force
- CERTIFIRE approved for 2 hours on timber doors and 4 hours on metal doors CF119

BS EN1155 Classification Number 3 8 3/5 1 1 3

The EMF Channel complies with the requirements of ADM and BS8300* in that it holds the door open.



ITS96

DORMA G96 EMF Electro-Magnetic Hold Open Channel for use with DORMA ITS96 Cam Action Closers

- Electro-magnetic hold open channel operating on 24V DC
- Can be used with ITS96 EN2-4 or EN3-6 door closers
- Single selectable hold open point from 80° to 120°
- Adjustable hold open and manual release force
- CERTIFIRE approved for 1 Hour on timber doors and 4 hours on metal doors CF140

BS EN1155 Classification Number 3 8 3/5 1 1 3

The EMF Channel complies with the requirements of ADM and BS8300* in that it holds the door open.



BTS80EMB Stainless Steel or Polished Brass Cover Plate

DORMA BTS80 EMB / FLB Electro-Magnetic Hold Open Floor Spring

- Universal for single or double action doors
- Available in sizes EN4, EN5 and EN6
- Electro-magnetic multi-point hold open free swing from 75° to 180° 24V DC
- CERTIFIRE approved for 1 Hour on timber doors and 4 hours on metal doors CF127

BS EN1155 Classification Number 3 8 4 1 1 4 (EN4)

BS EN1155 Classification Number 3 8 5 1 1 4 (EN5)

BS EN1155 Classification Number 3 8 6 1 1 4 (EN6)

The BTS80 EMB / FLB free swing floor spring complies with the requirements of ADM and BS8300* in that it either holds the door or allows it to open free swing during normal use.



RTS80EMB

DORMA RTS 80 EMB Electro-Magnetic Hold Open Transom Closer

- Available in sizes EN4 and EN5
- Electro-magnetic multi-point hold open from 75° to 180° 24V DC
- CERTIFIRE approved for 1 hour on timber doors CF127

BS EN1155 Classification Number 3 8 4 1 1 4 (EN4)

BS EN1155 Classification Number 3 8 5 1 1 4 (EN5)

The RTS80 EMB complies with the requirements of ADM and BS8300* in that it holds the door open during normal use.

FREE SWING

DORMA TS99 EN2-5 Free Swing Door Closer

- Power size EN2-5
- Free swing function from 0° to 180°
- CERTIFIRE approved for 2 hours on timber doors and 4 hours on metal doors CF119

BS EN1155 Classification Number 4 8 5/2 1 1 3

The TS99 Door Closer complies with the requirements of ADM and BS8300* in that it enables the door to free swing, thus there is no opening resistance.



TS99 Free Swing Closer in Contur Design

* Also Section 3 in Scotland & Part R in N. Ireland.

PANIC HARDWARE



Panic hardware fitted to the final exit doors of a school has to combine the requirements for safety in allowing egress at any time and yet security, in preventing unauthorised entry into the school or unauthorised egress. Final exit doors are often misused as they can provide a 'shortcut' to the playground or other areas within the school; this often compromises security, especially if they do not lock correctly after use. Even an authorised user may experience difficulty in locking the doors correctly.

It is therefore critical that panic devices are capable of self locking correctly on every operation and the simplest way to ensure this is by using Pullman type latches. These latches operate on the same principle as a latch within a mortice lock. When the door closes they engage onto the strike plate fitted to the frame, thus avoiding the need to manually engage the panic device into its locked position after use. As a door closer should be used on such doors, operation is simple and easy in respect of the doors becoming secure after use; the door closer will close the door and the panic device will automatically lock. Anti-thrust devices on the Pullman Latches ensure they deadlock once engaged.

In addition to these standard safety and security features, further options are available. Operation by swipe card or other electronic device is also possible to gain authorised access or even egress. Electronic Bolt retraction (ES) automatically unlocks the device when electronic access devices are used. This means that no lever or knob is required externally, reducing the chances of vandalism or forced entry. Only a pull handle and cylinder (if required for manual override) is required externally. The DORMA 9000 series of panic hardware are also available with alarms to inform staff immediately of any unauthorised use.

Some final exit doors may be required to be kept open at certain times of the day, such as break times, here Dogging devices can be operated which keep the latches withdrawn and allow access to all users from either side without having to operate the panic device or any external lever. Dogging is available as a standard feature if required. For additional security, Cylinder Dogging (CD) can be used.

The DORMA Panic Hardware devices listed within this brochure are all CE Marked to BS EN1125, panic exit devices operated by a horizontal bar.



PHB3000 Touchbar

The PHB 3000 series is a modular touchbar Panic Hardware System which uses the same chassis for either a Panic Latch or Panic Bolt. The Panic Bolt application also allows the option of 2 or 3 point locking for added security. Panic Latches may be changed into Panic Bolts with the addition of the rods and latches or vice versa.

- Suitable for doors up to 1000mm and 1300mm wide
- Suitable for doors up to 2265mm and 3200mm high
- Available in silver, black and red
- Anti thrust latchbolts
- Optional dogging as standard
- Rods supplied with covers
- Options:
 - Lateral latches
 - Electric strike
- Lever or knob operated PHT external trim for use with Euro profile cylinder
- CERTIFIRE approved for 1 hour on timber doors and 4 hours on metal doors CF319

BS EN1125 Classification Number 3 7 6 1 1 4 2 2 B

PHA2000 Crossbar

The PHA 2000 series is a modular crossbar Panic Hardware System which uses the same chassis for either a Panic Latch or Panic Bolt. The Panic Bolt application also allows the option of 2 or 3 point locking for added security. Panic Latches may be changed into Panic Bolts with the addition of the rods and latches or vice versa.

- Suitable for doors up to 1000mm and 1300mm wide
- Suitable for doors up to 2270mm and 3400mm high
- Available in stainless steel, silver and black
- Optional dogging as standard
- Rods supplied with covers
- Options:
 - Anti thrust latches
 - Lateral latches
 - Electric strike
- Lever or knob operated PHT external trim for use with Euro profile cylinder
- CERTIFIRE approved for 1 hour on timber doors and 4 hours on metal doors CF318

BS EN1125 Classification Number 3 7 6 1 1 4 2 2 A



9000 Series panic hardware

9000 SERIES TOUCHBAR

9700 Panic Latch

- Suitable for doors up to 1220mm wide
- Available in stainless steel, polished chrome or polished brass
- Deadlocking steel latchbolt
- Hex key dogging as standard
- Options:
 - Cylinder dogging (CD)
 - No dogging (LD)
 - Electronic bolt retraction (ES)
 - Monitor switch in touchbar (MS)
- Battery alarm device with time limited alarm (BPAR)
- Battery alarm device with continuous alarm (BPA)
- Direct wired alarm (DWA)
- Lever or knob operated external trim for use with Euro profile cylinder
- CERTIFIRE approved for 1 hour on timber doors and 4 hours on metal doors CF875

BS EN1125 Classification Number 3 7 6 B 1 3 2 2 B A

9800 Panic Bolt

- Suitable for doors up to 1220mm wide and 2430mm high
- Available in stainless steel, polished chrome or polished brass
- Deadlocking top pullman latch and bottom shootbolt
- Hex key dogging as standard
- Options:
 - Cylinder dogging (CD)
 - No dogging (LD)
 - Electronic bolt retraction (ES)
 - Monitor switch in touchbar (MS)
 - Battery alarm device with time limited alarm (BPAR)
- Battery alarm device with continuous alarm (BPA)
- Direct wired alarm (DWA)
- Extended top rods to suit door 3050mm high (ETR)
- Lever or knob operated external trim for use with Euro profile cylinder
- CERTIFIRE approved for 1 hour for use with Euro profile cylinder on timber doors and 4 hours on metal doors CF875

BS EN1125 Classification Number 3 7 6 B 1 3 2 2 B A

9600 Concealed Panic Bolt

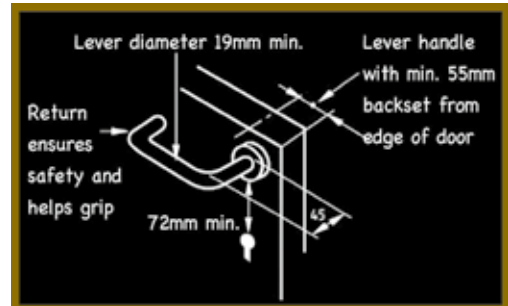
- Suitable for doors up to 1220mm wide and 2430mm high
- Available in stainless steel, polished chrome or polished brass
- Deadlocking top pullman latch and bottom shootbolt
- Hex key dogging as standard
- Concealed rods
- Options:
 - Cylinder dogging (CD)
 - No dogging (LD)
 - Electronic bolt retraction (ES)
- Monitor switch in touchbar (MS)
- Battery alarm device with time limited alarm (BPAR)
- Battery alarm device with continuous alarm (BPA)
- Direct wired alarm (DWA)
- Extended top rods to suit door 3050mm high (ETR)
- Lever or knob operated external trim for use with Euro profile cylinder

BS EN1125 Classification Number 3 7 6 0 1 3 2 2 B A

SECURITY

LOCKS

Under ADM and BS8300*, locks are required to have a minimum backset of 55mm and centres of 72mm (distance from lever handle follower to key centre) to ensure ease of operation. The DORMA locks detailed are all available with either 55mm or 60mm backsets and all have 72mm centres. In addition, locks should have a low engagement force to assist doorset compliance with ADM and BS8300*. Additional resistance from the latchbolt during closing can result in the door not closing fully, particularly as door closing forces are adjusted to their minimum in order to obtain low opening forces. Increasing the closing force to ensure the latchbolt engages correctly may well result in the opening force exceeding those required by ADM and BS8300*.



DORMA PREMIER LOCKS are all CERTIFIRE approved and CE marked to BS EN12209. Their grade 8 classification on the third digit donates a closing force of below 15N on doors up to 200kg in weight. Independent tests have shown the exact closing force to be 7N, thus ensuring that the door closer will be capable of engaging the latch easily. All lock cases have common dimensions allowing interchangeability of locks should the function of the door change at any time. DORMA Premier Locks are prepared to take 'bolt through' lever furniture which is considered essential for school projects. The fixing holes for such furniture are sleeved to protect the mechanism from foreign elements such as sawdust etc. Where a latchbolt is used (Sashlock, Latch or Bathroom Lock) the follower is bronze bushed with a self adjusting clamp to ensure lever handle spindles are firmly fixed and 'rattle free'. BS EN12209 classified the cycle testing of DORMA Premier Locks as class H, 200,000 cycles with a 10N load on the latch.



151F Sashlock

DORMA 151F Sashlock

- Lever handle and key operation
- 55mm or 60mm backset
- 72mm centres prepared for Euro-profile cylinder
- 20mm stainless steel round or square forend
- Stainless steel square strikeplate
- Bronze bushed and self adjusting 8mm clamped follower
- Non-handed
- Nickel plated brass latchbolt and deadbolt with anti-drill steel rollers
- Nightlatch function as standard (latchbolt can be withdrawn by cylinder operation)
- CERTIFIRE approved for 1 hour on timber doors and 4 hours on metal doors (CF267)
- CERTIFIRE certification requires intumescent to be used on 1 hour timber doors, these packs are available from DORMA and ensure correct performance if subjected to fire. No intumescent is required for 1/2 hour timber doors or for metal doors.

BS EN12209 Classification Number 3 H 8 1 0 G 2 B 2 0



115F Latch

DORMA 115F Latch

- Lever handle operation
- 55mm or 60mm backset
- 72mm centres prepared for Euro-profile cylinder
- 20mm stainless steel round forend
- Stainless steel square strikeplate
- Non-handed
- Bronze bushed and self adjusting 8mm clamped follower
- Nickel plated brass latchbolt
- CERTIFIRE approved for 1 hour on timber doors and 4 hours on metal doors (CF267)
- CERTIFIRE certification requires intumescent to be used on 1 hour timber doors, these packs are available from DORMA and ensure correct performance if subjected to fire. No intumescent is required for 1/2 hour timber doors or for metal doors.

BS EN12209 Classification Number 3 H 8 1 0 G 2 B 2 0

* Also Section 3 in Scotland & Part R in N. Ireland.



Bideford College



Bideford College



116F Nightlatch

DORMA 116F Nightlatch

- Lever one side only. Retraction of latch with key only on the other side
- 55mm or 60mm backset
- 72mm centres prepared for Euro-profile cylinder
- 20mm stainless steel round forend
- Stainless steel square strikeplate
- Non-handed
- Bronze bushed and self adjusting 8mm clamped follower for
- Nickel plated brass latchbolt
- CERTIFIRE approved for 1 hour on timber doors and 4 hours on metal doors (CF267)

- CERTIFIRE certification requires intumescent to be used on 1 hour timber doors, these packs are available from DORMA and ensure correct performance if subjected to fire. No intumescent is required for 1/2 hour timber doors or for metal doors.

BS EN12209 Classification Number 3 H 8 1 0 G 2 B 2 0



132F Deadlock

DORMA 132F Deadlock

- Retraction of bolt with key only
- 55mm or 60mm backset
- 20mm stainless steel round or square forend
- Stainless steel square strikeplate
- Prepared for Euro-profile cylinder
- Non-handed
- Nickel plated brass deadbolt with anti-drill steel rollers
- CERTIFIRE approved for 1 hour on timber doors and 4 hours on metal doors (CF267)

- CERTIFIRE certification requires intumescent to be used on 1 hour timber doors, these packs are available from DORMA and ensure correct performance if subjected to fire. No intumescent is required for 1/2 hour timber doors or for metal doors.

BS EN12209 Classification Number 3 H 8 1 0 G 2 B C 0



191F WC Sashlock

DORMA 191F WC Sashlock

- Lever operates latch both sides. Turn operates deadbolts one side only (emergency release on outside)
- 55mm or 60mm backset
- 78mm centres with 8mm follower for indicator and turn
- 20mm stainless steel round or square forend
- Stainless steel square strikeplate
- Non-handed
- Bronze bushed and self adjusting 8mm clamped follower
- Nickel plated brass latchbolt and deadbolt
- CERTIFIRE approved for 1 hour on timber doors and 4 hours on metal doors (CF267)

- CERTIFIRE certification requires intumescent to be used on 1 hour timber doors, these packs are available from DORMA and ensure correct performance if subjected to fire. No intumescent is required for 1/2 hour timber doors or for metal doors.

BS EN12209 Classification Number 3 H 8 1 0 G 1 2 0

EMERGENCY ESCAPE LOCKS

EMERGENCY ESCAPE LOCKS provide escape at anytime by the simple operation of the lever handle fitted to the lock. Although they must not be used on final exit doors within a school (panic hardware to BS EN1125 must be used here), they can be used on internal doors to provide extra security, yet allow escape in the event of an emergency.

A typical example would be a classroom door. An emergency escape lock can enable a teacher to lock the door to prevent any entry into the classroom yet operation of the lever handle from within the classroom, will unlock the door and allow exit. As such locks only operate with double cylinders (key both sides) it also prevents unauthorised locking of a door if a cylinder and turn are used as with a standard cylinder sashlock. When locked, escape is always possible from the inside by simply operating the lever, this will retract the deadbolt and latch in one operation.

The DORMA Escape Locks listed within this brochure are all CERTIFIRE Approved and CE Marked to BS EN179. All locks are required to have a minimum backset of 55mm under ADM and BS8300*, and centres (distance from lever handle follower to key centre) of 72mm to ensure ease of operation. The DORMA Escape Locks detailed are all available with either 55mm or 65mm backset and all have 72mm centres. All lock cases have common dimensions allowing interchangeability of locks should the function of the door change at any time.



181 Emergency Escape Lock

DORMA 181 Emergency Escape Lock

- Suitable for doors up to 1160mm wide
- Lever handle retracts latchbolt and deadbolt from inside
- Key retracts latchbolt and deadbolt from outside
- 55mm or 65mm backset
- 72mm centres prepared for Euro-profile cylinder
- 20mm stainless steel round forend
- Handed left or right hand
- Stainless steel square strikeplate
- Nickel plated steel latchbolt and deadbolt
- CERTIFIRE approved for 1 hour on timber doors and 4 hours on metal doors (CF267)
- CERTIFIRE certification requires intumescent to be used on 1 hour timber doors, these packs are available from DORMA and ensure correct performance if subjected to fire. No intumescent is required for 1/2 hour timber doors or for metal doors.

BS EN179 Classification Number 3 7 7 B 1 3 4 2 A B/D



182 Emergency Escape Lock

DORMA 182 Emergency Escape Lock

- Suitable for doors up to 1160mm wide
- Lever handle retracts latchbolt and deadbolt from inside
- Lever retracts latchbolt from outside, deadbolt retracted by key
- 55mm or 65mm backset
- 72mm centres prepared for Euro-profile cylinder
- 20mm stainless steel round forend
- Handed left or right hand, inward or outward opening
- Stainless steel square strikeplate
- Nickel plated steel latchbolt and deadbolt
- CERTIFIRE approved for 1 hour on timber doors and 4 hours on metal doors (CF267)
- CERTIFIRE certification requires intumescent to be used on 1 hour timber doors, these packs are available from DORMA and ensure correct performance if subjected to fire. No intumescent is required for 1/2 hour timber doors or for metal doors.

BS EN179 Classification Number 3 7 7 B 1 3 4 2 A B/D

* Also Section 3 in Scotland & Part R in N. Ireland.

MOVABLE WALLS

- Giving you room to develop

With increasing demands for adaptable space management, particularly in educational establishments, movable walls offer the ideal solution as they enable large areas such as halls or performing spaces to be quickly converted into smaller, more practical learning resource areas or meeting rooms.

DORMA offer a number of systems including semi-automatic acoustic and fire-rated walls in various materials ranging from the elegant and aesthetic MOVEO Glass with an acoustic rating up to Rw50dB, to the fully automatic Moveo ComfortDrive®. DORMA also provide the Variflex Movable Wall with an acoustic performance of up to Rw60dB which would be ideal for any educational environment where sound performance was of importance.



Managing Space the Quick and Easy Way

MOVEO® is a unique system available from DORMA which offers an unprecedented lightweight, flexible and easy to operate movable wall solution with sound insulation up to Rw55dB.

Compared with conventional partitions, MOVEO offers a number of benefits:

	Conventional Partition	DORMA MOVEO®	DORMA VARIFLEX®
Weight/m2 (Rw 38-55dB)	Approx. 35-70kg	Approx. 16-40kg	38 – 61 Kg per M2 (Dependent on acoustic rating)
Standard method of ensuring top and bottom acoustic seals are in place	Manually by means of removeable handle	Electrically controlled automatic extension and retraction (ComforTronic®)	Operation of seals can be undertaken with the use of an operating handle or semi automatic seal operation is available
Relative time savings for opening and closing	-	50%	N/A
Method of construction	Steel, aluminium or timber construction	Sealed lightweight composite construction	Steel framed
Smoke control	None, or subject to surcharge	Standard	N/A
Element thickness (Rw 38-55dB)	80-120mm	100mm	100mm: Rw 58dB 120mm: Rw 60dB



Installation

The wall elements are fixed to a narrow track discretely hidden in the ceiling. These can be easily pushed into position due to their exceptional lightweight, and once in place, the sealing strips are automatically extended by the ComforTronic® control system to give an acoustic value of up to 55dB.

Installation into both existing and new buildings is simple and cost effective as less steelwork is required for this movable wall system than compared with others. The lightweight panels and automatic seals mean that operation of the wall is much quicker and easier to achieve.

Configuration

Available up to 9.0m high the flexibility of MOVEO® means any configuration can be achieved; special elements can overcome curves, angles, right angles and slopes, and still incorporate pass doors and glazing elements.

MOVABLE WALLS



With no manual winding mechanisms within the panel, the MOVEO system provides the ideal solution for any busy educational department, ensuring that minimal maintenance is required and with the absence of internal components, is less likely to fail.

MOVEO system features:

- Lightweight construction – up to 50% lighter than conventional movable walls
- Panel thickness 100mm
- Clear passage up to 9000mm
- Sound insulation properties Rw 38, 42, 49 or 55dB
- Quick and simple operation. The ComforTronic® control system automatically operates the sound insulation sealing strips meaning no need for any manual winding.
- Wide range of surface finishes
- Multiple configurations

Finishes

The various surface finishes are classified into 3 collections:

- Classic Collection: Particularly hard-wearing, scratch and impact resistant laminate surfaces in a variety of colours, wood reproduction or textured decor finishes. (HP Laminate available)
- Functional Collection: Magnetic writable panel and special surfaces for overhead and daylight projector screens. Panel surfaces that are suitable for painting or wallpapering.
- Design Collection: Genuine wood veneers, metal decors and RAL-painted surfaces.



SERVICE

- All the back up you need



The DORMA package offers co-ordinated design backed up with lifelong reliability through our service division.

We can offer a range of maintenance programs and 24-hour emergency cover using our nationwide network of fully employed and trained engineers. We can maintain all DORMA and non-DORMA automatic, revolving, industrial and manual doors as well as movable walls.

Reactive Servicing

DORMA provide reactive servicing and maintenance on a non-contracted basis 24 hours a day. Basically, this means that if you have a breakdown or malfunction you can call us in to repair or replace the faulty door even if you don't have a service contract with us.



Preventative Servicing

Our planned or preventative servicing and maintenance is undertaken on a contracted basis.

Regular door maintenance helps prevent accidents, reduces breakdowns and prolongs the life of the operator. An ordinary door failing or not operating correctly is unsafe, or at best annoying, on a fire door it is potentially deadly.

DORMA has gained four major H&S accreditations; Bovis Lend Lease – Sub-contractor Accreditation Scheme, Constructionline, SAFEcontractor and Contractor Health and Safety (CHAS). They form part of the company's comprehensive H&S strategy. All our engineers undergo full training that includes a competency examination for compliance with the British Standard for Powered Doors for Pedestrian Use BS7036 (1996).



DORMA UK Limited

Wilbury Way,
Hitchin,
Herts SG4 0AB
Tel: 01462 477600
Fax: 01462 477601
Email: info@dorma-uk.co.uk

Service - South/South East

Wilbury Way,
Hitchin,
Herts SG4 0AB
Tel: 01462 477602
Fax: 01462 477603
Email: service@dorma-uk.co.uk

Service - Midlands

Vienna House,
International Square,
Birmingham
B37 7GN
Tel: 0800 260 0321
Email: servicemidlands@dorma-uk.co.uk

Service - North

55 Aidan Court,
Bede Industrial Estate,
Jarrow, Tyne and Wear NE32 3EF
Tel: 0191 428 7300
Fax: 0191 428 7398
Email: servicenorth@dorma-uk.co.uk

Service - Scotland

Unit 1, Almond Road,
Middlefield Industrial Estate,
Falkirk FK2 9HQ
Tel: 01324 678770
Fax: 01324 678771
Email: servicescotland@dorma-uk.co.uk

Service - West

Unit 5 Duckmoor Road Industrial Estate
Ashton Gate, Ashton
Bristol BS3 2BJ
Tel: 0117 963 9014
Fax: 0117 953 3462
Email: servicewest@dorma-uk.co.uk

www.dorma-uk.co.uk

DORMA Ireland Limited

PO Box 1050
Maynooth
Co. Kildare
Tel: 01 295 8280
Fax: 01 295 8284
E-mail: dormadublin@dorma.ie

www.dorma.ie

