

dormakaba locker lock 21 20

Electronic security for wardrobes



Advantages at a glance:

- **Easy upgrade to electronics**
The locker lock can simply be installed in place of a conventional lever cylinder: minimal effort required to switch from mechanics to RFID technology.
- **Intuitive operation**
Pressing the RFID badge onto the button allows the locker to be opened with one single hand movement.
- **Efficiency and security in one**
Electronic access control enhancing operational efficiency instead of time-consuming key management.
- **Innovative energy management**
One standard battery lasts up to 10 years.
- **Compatible portfolio**
Our product range includes other products that can be seamlessly combined with each other.
- **Elegant design**
The locker lock blends in harmoniously thanks to its slim and flat-built design.

Electronic access security with RFID

Secure your personal belongings effectively from unauthorized access in wardrobes, lockers, and other furniture by using this electronic locker lock, making the complex administration of numerous keys a thing of the past.

Fully integrable, digitally managed

Our locker lock 21 20 can be seamlessly integrated into our standalone and online access solutions. You can not only access rooms, but also manage lockers digitally with just one access medium.

Practical locking concept

Operate the locker lock by pressing your RFID badge onto the button using the push-to-open principle, allowing you to open or close the lock with one single hand movement. The locker number is safely transmitted to the RFID badge at the same time as the lock is locked.

Free choice: optimal flexibility

The "free choice" function is a valuable advantage when it comes to cloakrooms: the authorised ID card lets users select any free locker. This ensures optimal use of the limited number of lockers available.

Fast and flexible installation

Metal lockers are often designed to use mechanical lever cylinders. Our locker lock fits into this hole. This allows a mechanical lock to be converted to innovative RFID technology quickly and easily. Furthermore, the slim 38 mm lock can be installed horizontally or vertically and fits both left- and right-hinged doors.

Areas of application

The locker lock 21 20 is suitable for lockers in company cloakrooms, schools and universities.

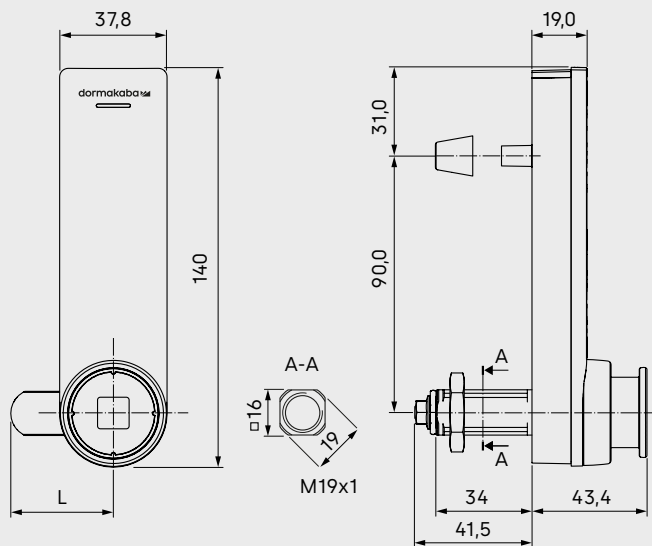
Additional performance features

- Comprehensive access control for your locking system right down to the individual locker: it can be integrated into our standalone and online access solutions for traceable, programmable access to rooms and lockers.
- A protruding pushbutton indicates when a locker is free.
- Motorised locking system for maximum reliability.
- Quick installation without any wiring.
- Can be simply retrofitted to existing lockers – fits the standard 19 mm hole.
- Low battery level indicated in good time.
- The battery is located in the outer side of the lock and can be easily replaced using the special battery compartment key.
- High level of security thanks to the use of the LEGIC SM 6310 security module.

Efficient programming with the evolvo range of functions

Choose between the programming variants:

- Whitelist: Authorisations are granted directly to the lock:
 - with the programming card or
 - with the system software and transfer access rights via the programming device.
- CardLink/AoC: Authorisations on the access medium – programming of the component on site is not necessary. Optionally with:
 - CardLink or AoC (Access on Card) or
 - OSS-SO (Open Security Standards – Standard Offline).



Locker lock 21 20: dimensional drawing front and side. Measurements in mm.

Technical data

Supported RFID standards

- LEGIC advant, ISO 14443A
- MIFARE® DESFire®, ISO 14443A
- OSS-SO version 2021-06:
LEGIC advant, MIFARE® DESFire®

Bolt variants

- Straight, 2 or 3 mm thick
- Cranked, 2 or 3 mm thick
- Straight hook bolt
- Cranked hook bolt

Functions

- Free choice: configurable, 1 to max. 4 lockers
- Locking without badge (configurable)
- Alarm in case of attempted break-in
- Internal real-time clock with power reserve
- Number of user access media:
 - White list: up to 4,000
 - CardLink/AoC: practically unlimited
- Record of the last 2,000 events

Signalling

- Visual (LED red, green)
- Audible (beeps)

Dimensions and weight

- 140 x 37.8 x 19.0 mm (L x W x H)
- Mounting thread: M19
- Weight: 250 g

Material

- Housing: Polycarbonate, V0
- Colour: Signal White (RAL9003)
- Bolt: Steel DC04 1.0338

Power supply

- 1 x lithium battery 3.6 V, AA (type: Tadiran SL860/S)

Environment / service life

- Temperature: -20 °C to +60 °C
- Humidity: 0 to 95% rH, non-condensing
- Protection class: IP42
- Battery life at 20 °C:
up to 80,000 cycles or up to 10 years

Break-open resistance

- Fulfils specification for lockers according to DIN 4547-2, class C4547-2, class C

Additional details and ordering information can be found in the relevant dormakaba catalogue or the system description. Subject to changes without prior notice. Version 08/2024. © dormakaba. MIFARE and DESFire are registered trademarks of NXP B.V.



Any questions? We will be happy to assist you.

dormakaba International Holding AG | Hofwisenstrasse 24 | CH-8153 Rümlang | info.de@dormakaba.com | dormakaba.com