

**Grade 1
Heavy-Duty
Mortise
Locksets**

**DORMA
DL 1000
DB 1000
DK 1000**



DORMA's DL 1000 / DB 1000 / DK 1000 Series Grade 1 heavy-duty mortise locksets with unsurpassed security, sober aesthetics and rugged dependability.

As per ANSI A156.13 series 1000, with Cycle Test of 1,000,000. DL / DB 1000 meets the requirements of ANSI A117.1 and ADA for barrier-free accessibility.

Grade 1 Mortise lock
Superior Anti-Fire and Anti-Burglar Feature

Warranty: 5 year limited warranty.

Finishes:

Brass: 605 (Bright) or 606 (Satin).

Bronze: 612 (Satin) or 613 (Dark Oxidized Satin).

Chrome*: 626 (Satin).

Stainless: 630 (Satin).

Features

- All DORMA DL 1000 / DB 1000 / DK 1000 Series mortise locks feature advanced design concepts for extreme reliability and are manufactured with the finest materials for exceptional durability.
- DORMA DL 1000 / DB 1000 / DK 1000 Series mortise locks provide a wide variety of functions and the most popular finishes.
- All DORMA DL 1000 / DB 1000 / DK 1000 Series locks includes special, high-strength springs and a positive stop to eliminate unsightly sagging levers.
- Trims utilize 5/16" high-strength alloy steel spindles for extra durability.
- Select components the 1000 Series locks are manufactured with high-strength steel or stainless steel, providing an extremely strong, highly durable lock. Roses manufactured from stainless, brass or bronze.





Specifications

Handing

Lock bodies are field reversible without disassembly

Door Thickness:

1 3/4" (44mm) standard, 1 3/8" (35mm) to 2 1/2" (64mm) optional. Over 2 1/2" (64mm) door ranges vary by function. Specify door thickness if other than 1 3/4"

Backset:

2 3/4" (70mm) only.

Armored Front:

(32xmm x 203mm x 2mm)

Case Size:

(111mm x 150mm x 23mm)

Bolts:

1" (25mm) throw stainless steel deadbolt and 3/4" (19mm) throw stainless steel latch with anti-friction tongue.

Levers:

Forged brass or bronze and cast stainless steel.
Available on rose and escutcheon designs.

Trim Designs Options:

Customers can select other than the standard trim designs for each specific project and DORMA will arrange an aesthetically suitable solution.

Strike:

ANSI curved lip strike 1 1/4 x 4 7/8" (32mm x 124mm) x 1 3/16" (30mm) lip to center with dust box standard.

Cylinder & Key:

6-pin SC keyway cylinder with two keys standard.

Keying Options:

Interchangeable core cylinders. Master keying, grand master keying and construction keying.

Standard Trim designs



L1



L2



L3



L4



L5



L6

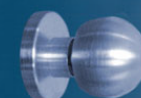


L7

Solid Tube

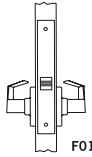
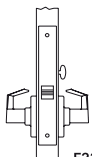
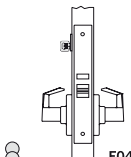


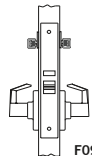
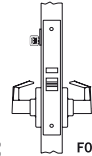
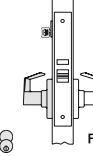
Escutcheon

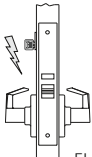
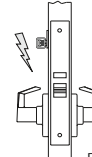
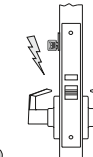


K1

Knob

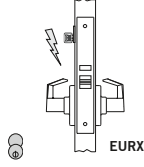
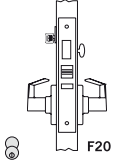
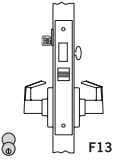
FUNCTION	Passage	Privacy	Office
SERIES	DL 1010 DK 1010	DL 1040 DK 1040	DL 1050 DK 1050
OUTSIDE/INSIDE			
DESCRIPTION	<ul style="list-style-type: none"> Latch bolt operated by trim either side. 	<ul style="list-style-type: none"> Latch bolt operated by trim either side, except when outside trim locked by inside turn. When locked, outside trim unlocked by inside trim, by closing door, or by emergency release. 	<ul style="list-style-type: none"> Latch bolt operated by trim either side, except when outside trim locked by stopworks. When outside trim locked, latch bolt retracted by key outside or operated by inside trim. Auxiliary latch deadlocks latch bolt.

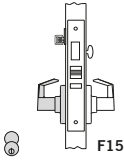
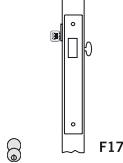
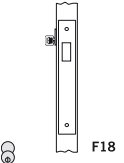
FUNCTION	Apartment	Classroom	Storeroom
SERIES	DL 1060 DK 1060	DL 1070 DK 1070	DL 1080 DK 1080
OUTSIDE/INSIDE			
DESCRIPTION	<ul style="list-style-type: none"> Latch bolt operated by trim either side, except when outside trim locked by key inside. When outside trim locked, latch bolt retracted by key outside or by inside trim. Auxiliary latch deadlocks latch bolt. 	<ul style="list-style-type: none"> Latch bolt operated by trim either side, except when outside trim locked by key outside. When outside trim locked, latch bolt operated by inside trim. Auxiliary latch deadlocks latch bolt. 	<ul style="list-style-type: none"> Latch bolt retracted by key outside or operated by inside trim. Outside trim always inoperable. Auxiliary latch deadlocks latch bolt.

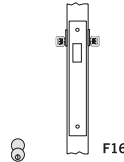
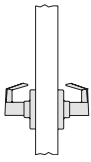
FUNCTION	Electrified Fail Safe	Electrified Fail Secure	Electrified Fail Safe with req. to Exit Switch
SERIES	DL 1080EL DK 1080EL	DL 1080EU DK 1080EU	DL 1080ELRX DK 1080ELRX
OUTSIDE/INSIDE			
DESCRIPTION	<ul style="list-style-type: none"> Outside trim locked when power is on. Outside trim unlocked when power is interrupted. Latch by key outside. Inside trim always unlocked. Auxiliary latch deadlocks latch bolt. 	<ul style="list-style-type: none"> Outside trim unlocked when power is on. Outside trim locked when power is interrupted. Latch by key outside. Inside trim always unlocked. Auxiliary latch deadlocks latch bolt. 	<ul style="list-style-type: none"> Outside trim locked when power is on. Outside trim unlocked when power is interrupted. Latch by key outside. Inside trim always unlocked. Auxiliary latch deadlocks latch bolt. Operating inside trim cycles SPDT switch to signal use of the door.

 Indicates SFIC Core available.


 Indicates rigid lever.

FUNCTION	Electrified Fail Secure with Req. to Exit Switch	Entry with Dead Bolt	Corridor with Dead Bolt
SERIES	DL 1080EURX DK 1080EURX	DL 1953 DK 1953	DL 1956 DK 1956
OUTSIDE/INSIDE			
DESCRIPTION	<ul style="list-style-type: none"> • Outside trim unlocked when power is on. • Outside trim locked when power is interrupted. • Latch by key outside. • Inside trim always unlocked. • Auxiliary latch deadlocks latch bolt. • Operating inside trim cycles SPDT switch to signal use of the door. 	<ul style="list-style-type: none"> • Latch bolt operated by trim from either side, except when outside locked by stopworks. • Dead bolt operated by key outside or turn inside. • Key operates both dead and latch bolt. • Inside lever operates both bolts and outside trim remains locked. • Latch bolt dead locked when outside lever locked, or dead bolt projected. • When dead bolt retracted, outside trim unlocked by stopworks. 	<ul style="list-style-type: none"> • Latch bolt operated by trim either side, except when projected dead bolt locks outside trim and deadlocks latch. • Dead bolt and latch retracted by key outside. • Dead bolt projected by turn inside or key outside. • Inside trim operates both bolts and unlocks outside trim.

FUNCTION	Hotel with Dead Bolt	Cylinder x Turn Deadbolt (only)	Cylinder x Blank Deadbolt (only)
SERIES	DL 1985 DK 1985	DB 1960	DB 1961
OUTSIDE/INSIDE			
DESCRIPTION	<ul style="list-style-type: none"> • Latch bolt operated by key outside or trim inside. • Outside trim always rigid. • Latch bolt retracted by key outside. • Dead bolt projected by turn inside, and all keys, except emergency key, are shut out. • Inside trim operates both bolts simultaneously. • Auxiliary latch or dead bolt deadlocks latch bolt. 	<ul style="list-style-type: none"> • Dead bolt operated by key outside or by turn inside. 	<ul style="list-style-type: none"> • Dead bolt operated by key outside only

FUNCTION	Cylinder x Cylinder Deadbolt (only)	Dummy Trim Two side	
SERIES	DB 1962	DL 1002 DK 1002	
OUTSIDE/INSIDE			
DESCRIPTION	<ul style="list-style-type: none"> • Dead bolt operated by key either side. 	<ul style="list-style-type: none"> • Used as pull or matching trim on pairs of doors 	

 Indicates SFIC Core available.

 Indicates rigid lever.

How to Order DL1000 / DB1000 Series

Function

Hotel w/ DB (F15) -	985
Cyl x Cyl (DB only) (F18) -	962
Cyl x Blank (DB only) (F18) -	961
Cyl x Turn (DB only) (F17) -	960
Corridor w/ DB (F13) -	956
Entry w/ DB (F20) -	953
Apartment (F09) -	060
Electrified Fail Secure with req. to Exit Switch (EURX) -	080EURX
Electrified Fail Safe with req. to Exit Switch (ELRX) -	080ELRX
Electrified Fail Secure (EU) -	080EU
Electrified Fail Safe (EL) -	080EL
Storeroom (F07) -	080
Apartment (F09) -	060
Classroom (F05) -	070
Office (F04) -	050
Privacy (F22) -	040
Dummy Trim Two Sides -	002
Passage (F01) -	010

Rose / Escutcheon Design

Cylinder

E

D - Non IC Cyl

B

- 61mm Dia. Rose

Door Hand

DL 1 953 D L6 B 626 RH XXXX

Lever Trim - DL	Lever -	L1	630	- Satin Stainless	
Mortise Deadbolt (only) - DB	Lever -	L2	629	- Bright Stainless	Keying Options¹
Knob - DK	Lever -	L3	626	- Satin Chrome	
Product Type	Lever -	L4	625	- Bright Chrome	
	Lever -	L5	613	- Dark Oxidized Satin Bronze Oil Rubbed	
	Lever -	L6	606	- Satin Brass	
	Lever -	L7	605	- Bright Brass	
	Knob -	K1	Fi	²	
	Lever Design²				