

# BTS 60

## Basic Floor Spring



# The basic floor spring for light traffic double action doors

With the BTS 60, dormakaba offers a floor spring that is designed for light use double action doors for basic requirement. It is used for the standard double action doors with the door width up to 1000 mm and a maximum door weight of 80 kg. Closing speed adjustment is optimized with two regulating valves. The compact and shallow design ensures an ideal application for limited floor depth.

Technical Data		BTS 60
Spring strength	Size	3
Standard doors <sup>1) 2)</sup>	≤ 1000 mm	3
Max. door weight in kg		80
Closing speed variable by valve adjustment	130°–15° 15°– 0°	3
Backcheck		–
Hold-open point 90°		§
Weight in kg, approx.		4.4
Dimensions in mm	Length	274
	Width	97
	Height	40

3 Yes – No § Option

<sup>1)</sup> For applications involving particularly high or heavy doors, and doors which have to close against wind or draught conditions, the dormakaba BTS 80 should be selected.

<sup>2)</sup> Max. opening 130°. Door stop necessary for doors which can open further than 130°.

## Benefits

### For the trade

- Low cost solution for low traffic doors.
- Standard solution including accessories.

### For the installer

- Easy installation thanks to shallow design.
- Easy to adapt to individual requirements with dual valve control 130° to 15° and 15° to 0°.

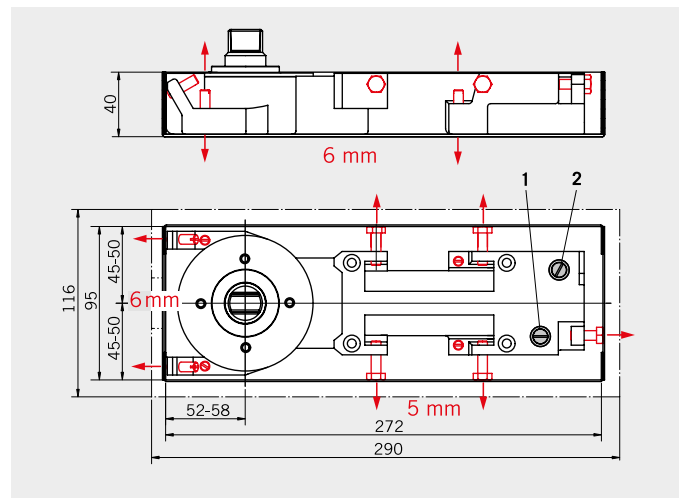
### For the architect/specifier

- Easy solution for single leaf doors.
- Door weights up to 80 kg and door width up to 1000 mm.
- Minimum floor recess dimension.

### For the user

- dormakaba quality in the basic segment.
- Comfortable door operation with low effort.
- Optional mechanical hold-open at 90°.

## Measurements



## Standard and optional functions

### Closing ranges

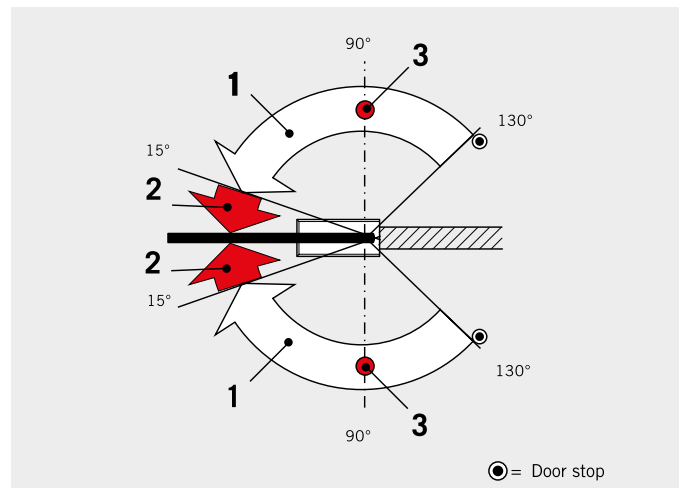
The floor spring has two controlled closing ranges:

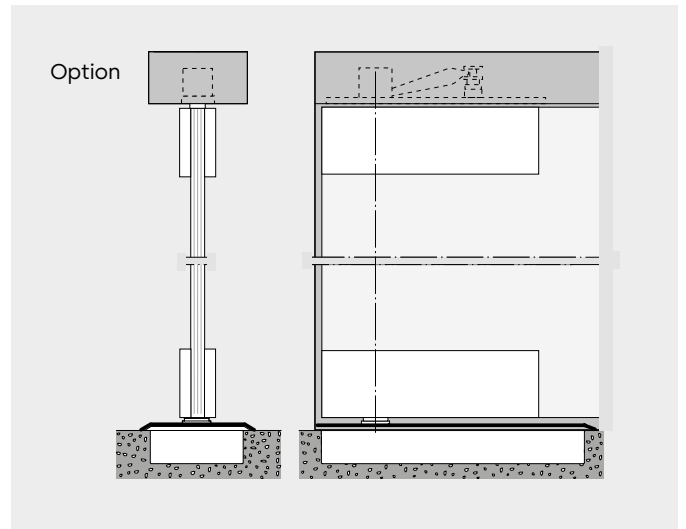
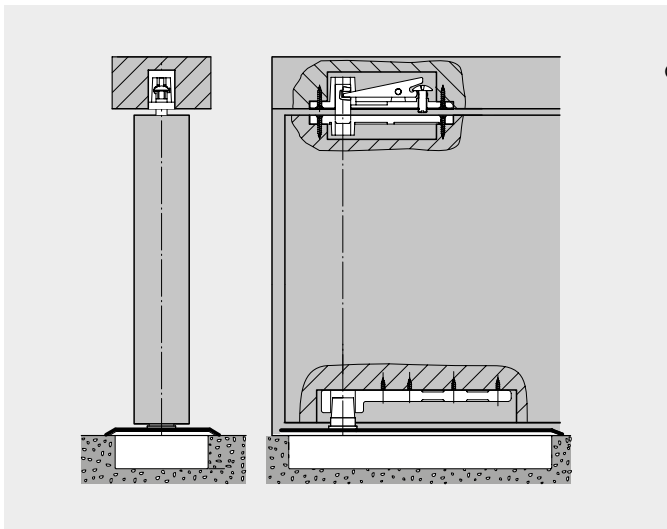
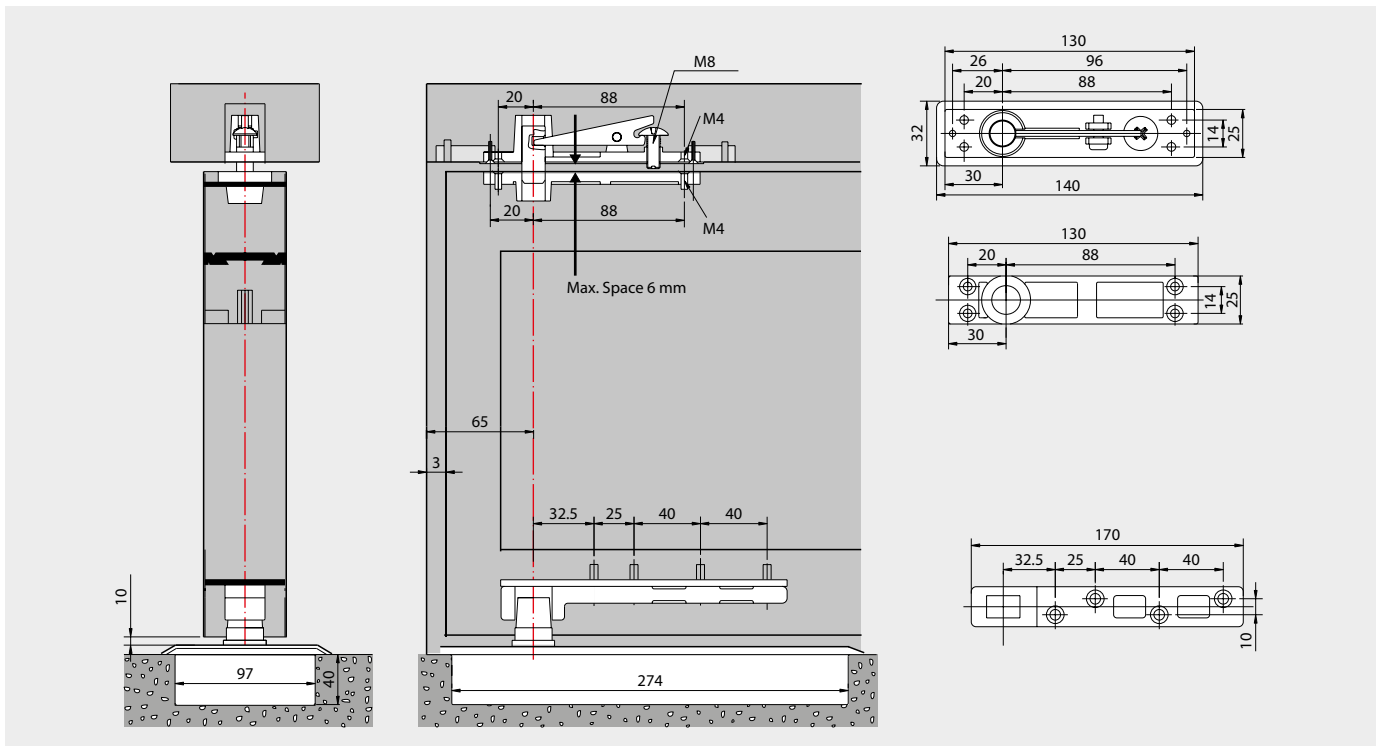
- Valve 1: 130° – 15°  
Valve 2: 15° – 0°.

### Hold-open

With optional integrated single-point hold-open at 90°.

- 1 Infinitely variable closing speed in the range 130° – 15°.
- 2 Second closing range 15° – 0°.
- 3 Hold open at 90° (optional extra).

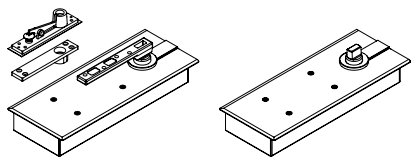




**Standard equipment and accessories**

Floor Spring BTS 60 size 3 including top centres and bottom strap

Floor Spring BTS 60 size 3



Standard	25060305	25060405
with 90° hold-open	25160305	25160405

If another application than the standard is required, we recommend BTS 75V/84.

**Specification text**

Floor spring for double action doors, size 3, with hydraulic fully controlled closing from approx. 130°; including cement box and spindle.

**Model**

- Standard
  - including top centres and bottom strap
- Hold-open 90°
  - including top centres and bottom strap
- Make dormakaba BTS 60

## Our Sustainability Commitment

We are committed to foster a sustainable development along our entire value chain in line with our economic, environmental and social responsibilities toward current and future generations. Sustainability at product level is an important, future-oriented approach in the field of construction. In order to give quantified disclosures of a product's environmental impact through its entire life cycle, dormakaba provides Environmental Product Declarations (EPD), based on holistic life cycle assessments.

[www.dormakaba.com/sustainability](http://www.dormakaba.com/sustainability)



## Our offering

### Access Automation Solutions

Entrance Automation  
Entrance Security



### Access Control Solutions

Electronic Access & Data  
Escape and Rescue Systems  
Lodging Systems



### Access Hardware Solutions

Door Closers  
Architectural Hardware  
Mechanical Key Systems



### Services

Technical Support  
Installation and commissioning  
Maintenance and Repair



WN 05402251532, EN, 10/2023  
Subject to change without notice



[dormakaba.com](http://dormakaba.com)

**dormakaba**  
**International Holding AG**  
Hofwissenstrasse 24  
CH-8153 Rümlang  
T +41 44 818 90 11  
[info@dormakaba.com](mailto:info@dormakaba.com)  
**dormakaba.com**