



Battery Powered Cabinet Lock with Built-in Proximity

Pre-Installation Instructions

1. Prior to installing the lock into position, ensure the programming card and user cards/fobs have been initialized.
2. Test card and lock to ensure proximity reader will read through the material that the lock is to be installed on.
3. Cards/Fobs can read through as much as 1" (25mm) of non-metallic materials.
4. **DO NOT INSTALL MULTIPLE LOCKS OR EXTERNAL READERS IN CLOSE PROXIMITY (Fig. 6).**
5. Ensure that lock body and catch body do not contact when latch engages to ensure proper operation

Initializing the Lock

1. Press the programming button on the back of the lock (Fig. 1).
2. Lock will make a rapid beeping sound. Present the programming card to lock within three seconds.
3. Two short tones indicate the programming card has been initialized.
4. Multiple locks can be programmed using the same programming card.

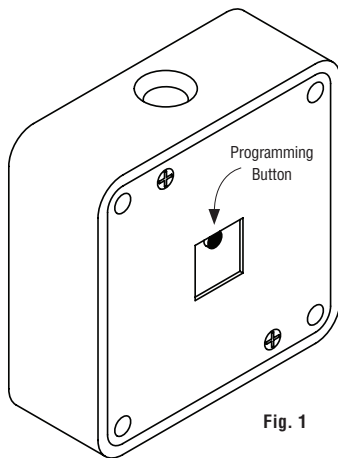


Fig. 1

Adding User Cards or

Fobs

1. Present the programming card to lock.
2. Lock will make a rapid beeping sound. Present a user card/fob to the lock within three seconds.
3. Two tones will indicate that the user card/fob has been accepted
4. Lock can now be opened with this card/fob.
5. Additional cards/fobs can be added by repeating steps 1–4.

Deleting a User Card/Fob

1. Present the programming card to the lock.
2. Lock will make a rapid beeping sound. Present user card/fob to the lock within three seconds.
3. Four rapid tones indicated the card/fob has been successfully removed.

If user card/fobs have been lost all users will need to be deleted and re-enrolled.

Deleting All User Cards/Fobs

1. Present programming card to lock 16 consecutive times.
2. Sixteen beeps will sound followed by one long tone.
3. All user cards/fobs have been deleted.

Alarm Feature (Optional Alarm Pin must be used)

1. When the alarm feature is enabled the lock will detect if the door is left ajar or forced open.
2. When the door is left ajar for more than 30 seconds the alarm will beep for approx. 5 seconds. After the 5 seconds it will increase the volume of sound. Closing the door or presenting a valid user card will silence the alarm.
3. If the door is forced open the sounder will sound at full volume immediately. To silence the alarm a valid user card must be presented to the lock.

FCC Regulatory Statements

This device complies with Part 15 of the FCC Rules. Operation is subject to the following two conditions:

- (1) This device may not cause harmful interference.
- (2) This device must accept any interference received, including interference that may cause undesired operation.

This equipment has been tested and found to comply with the limits for a Class B digital device, pursuant to part 15 of the Federal Communication Commission (FCC) rules. These limits are designed to provide reasonable protection against harmful interference in a residential installation. This equipment generates, uses and can radiate radio frequency energy and, if not installed and used in accordance with the instructions, may cause harmful interference to radio communications.

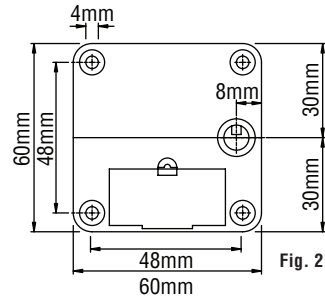
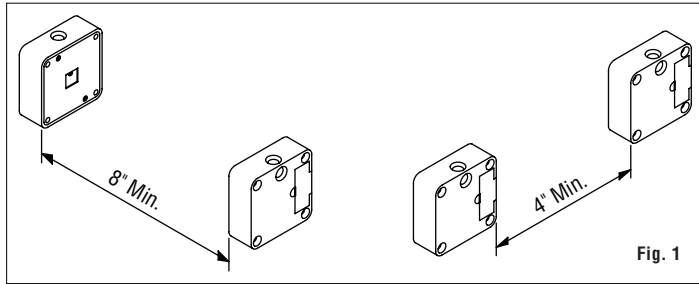
However, there is no guarantee that interference will not occur in a particular installation. If this equipment causes harmful interference to radio or television reception, which can be determined by turning the equipment off and on, the user is encouraged to try to correct the interference by doing one or more of the following measures:

- Reorient or relocate the receiving antenna.
- Increase the separation between the equipment and receiver.
- Connect the equipment into an outlet on a circuit different from that to which the receiver is connected.
- Consult the dealer or an experienced radio/TV technician for help.

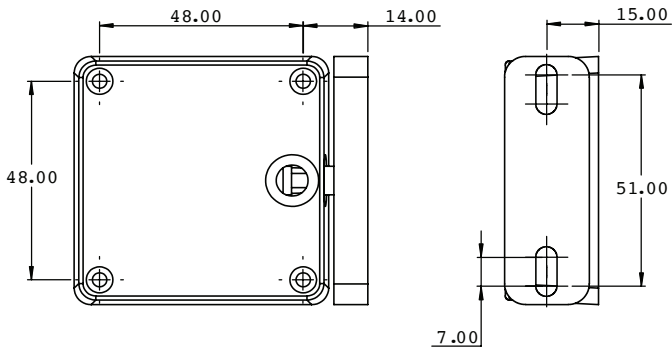
NOTE: THE GRANTEE IS NOT RESPONSIBLE FOR ANY CHANGES OR MODIFICATIONS NOT EXPRESSLY APPROVED BY THE PARTY RESPONSIBLE FOR COMPLIANCE. SUCH MODIFICATIONS COULD VOID THE USER'S AUTHORITY TO OPERATE THE EQUIPMENT.

Installation Instructions

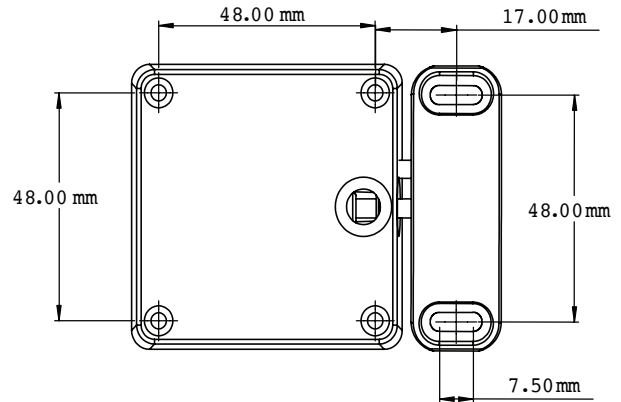
1. Determine proper location for lock and fasten using provided fasteners (Fig. 1 & 2).
2. As these are RFID devices ensure minimum spacing of multiple locks and external antennas is observed to ensure proper functionality and battery life (Fig. 1).



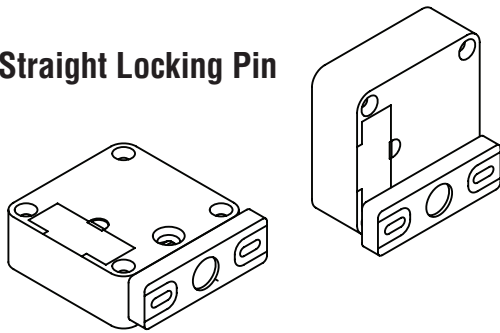
Straight Locking Pin



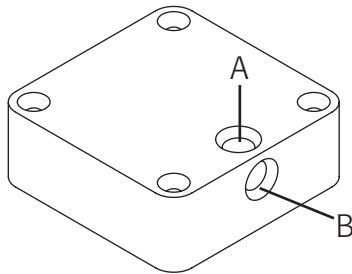
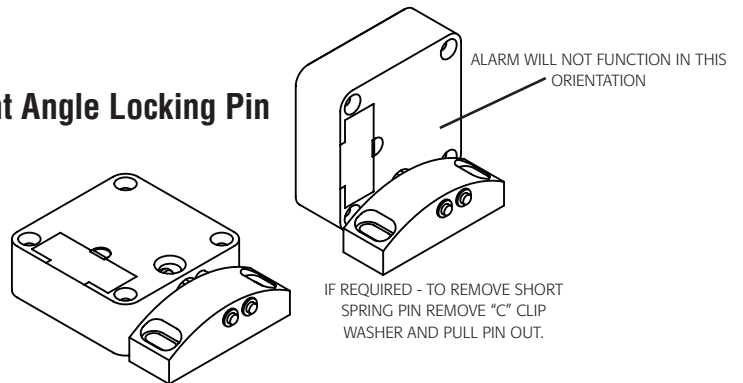
Right Angle Locking Pin



Straight Locking Pin



Right Angle Locking Pin



ISED Regulatory Statements

This device complies with ISED Canada license-exempt RSS standard(s). Operation is subject to the following two conditions: (1) this device may not cause interference, and (2) this device must accept any interference, including interference that may cause undesired operation of the device.

Le présent appareil est conforme avec ISED Canada applicables aux appareils radio exempts de licence. L'exploitation est autorisée aux deux conditions suivantes: (1) l'appareil ne doit pas produire de brouillage, et (2) l'utilisateur de l'appareil doit accepter tout brouillage radioélectrique subi, même si le brouillage est susceptible d'en compromettre le fonctionnement.

CAN ICES-3 (B)/NMB-3(B)

	RIGHT ANGLE (RA)	STRAIGHT PIN (ST)	RIGHT ANGLE ALARM (RAA)	STRAIGHT PIN ALARM (STA)
PIN ORIENTATION A	YES	YES	NO	YES
PIN ORIENTATION B	YES	YES	YES	YES