

TS 325

Door closer



Features

- The economical solution for standard doors
- Non-handed
- Suitable for standard, parallel arm, and frame installations
- Fully-controlled closing cycle
- Surface finish for optimal corrosion protection

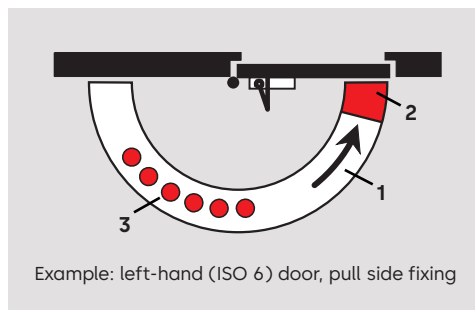
For applications involving particularly heavy doors and doors which have to close against wind resistance, we recommend dormakaba TS 83.



For more information, visit:
<https://dk.world/3YtYDfO>

Factsheet

Standard and optional functions



Example: left-hand (ISO 6) door, pull side fixing

- 1 Full-controlled closing with speed adjustable between 180° or 120° and 15°
- 2 Adjustable latching action adjustable between 15° and 0°
- 3 Hold-open mechanism for slide arm only

Technical data

TS 325 door closer

Closing force	Size	3
Standard doors (in mm)	≤ 950	●
External doors, opening outwards		-
Non-handed		●
Assembly type	Standard	●
	Slide channel	●
Closing force variable at adjustment screw		-
Closing speed variable by valve adjustment		●
Backcheck		-
Delayed action		-
Hold-open (slide arm only)		●
Weight (in kg)		1.3
Dimensions (in mm)		177.0
Overall depth		50.0
Height		40.0

● yes - no ○ optional

Specifications text

Rack-and-pinion door closer with hydraulically fully controlled closing cycle and non-handed

Model

- Size 3
- With standard arm
- With slide arm

Accessories

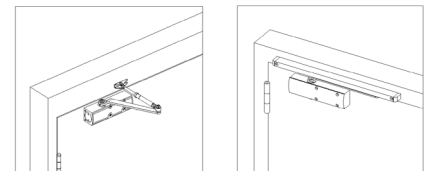
Closer colour:
 Silver

Make

dormakaba TS 325

Pull side

Door leaf fixing (standard)



Push side

Transom fixing (overhead installation)

