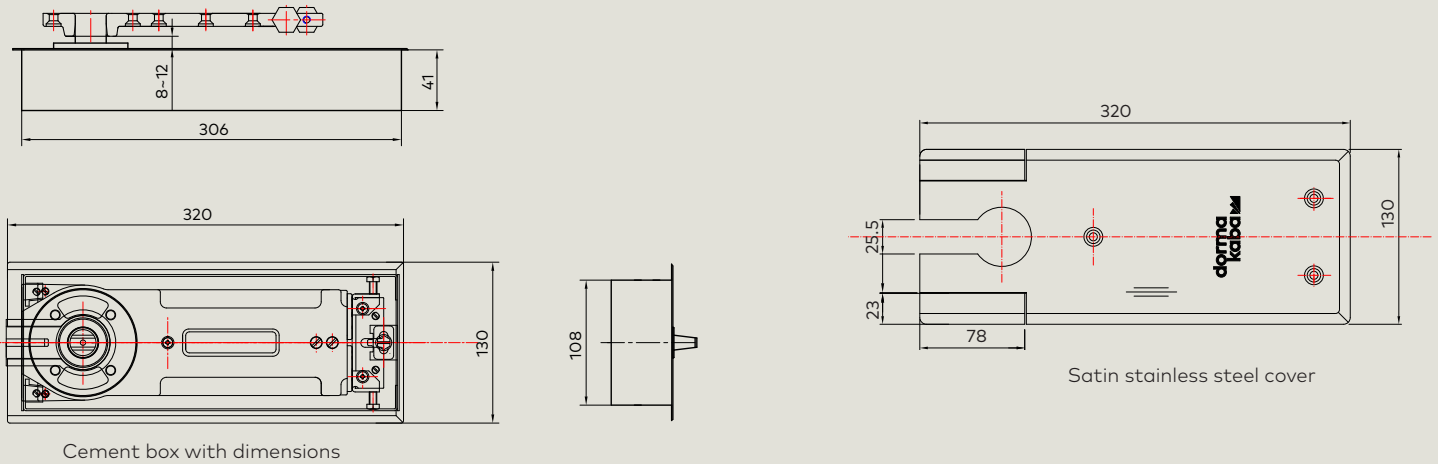


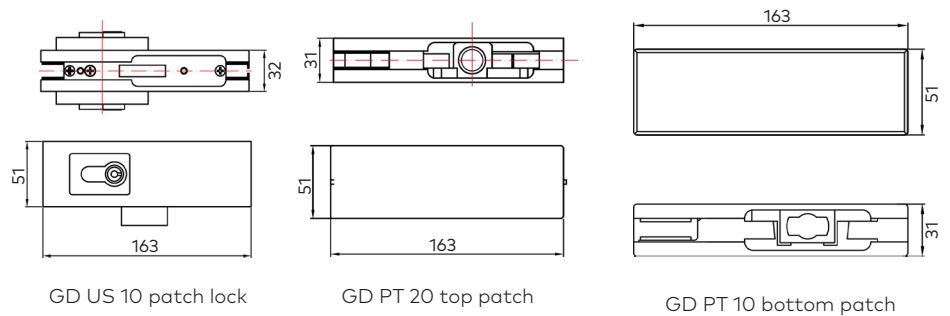
GD 85

Floor spring package



| Technical Data | | GD 85 |
|---|--------|------------------|
| Door width (mm) | | ≤ 950 ≤ 1050 |
| Door weight (kg) | | ≤ 85 |
| Door closing angle | | ≤ 120° |
| Max. closing force | | Fixed |
| Spring strength | | Size 3 Size 4 |
| Dimensions (mm) | Length | 307 |
| | Width | 108 |
| | Height | 40 |
| Adjustable closing speed via valve | | ● |
| Adjustable latching speed via valve | | ● |
| Non-handed version | | ● |
| Hold open | | 90° |
| Glass thickness for patch fittings (mm) | | 10 - 12 |
| Patch fittings finish | | SSS PSS |

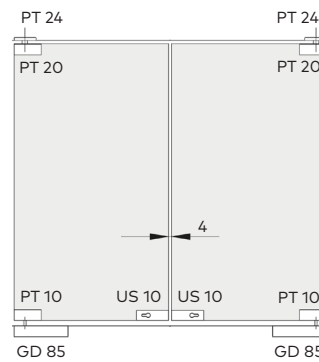
● Yes - No ○ Option



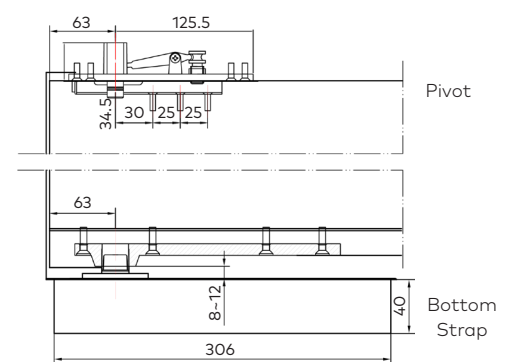
GD US 10 patch lock

GD PT 20 top patch

GD PT 10 bottom patch

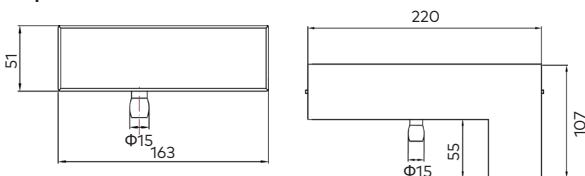


Patch fitting configurations



AL accessories

Optional



GD PT 30 overpanel patch

GD PT 40 overpanel patch

Contact us