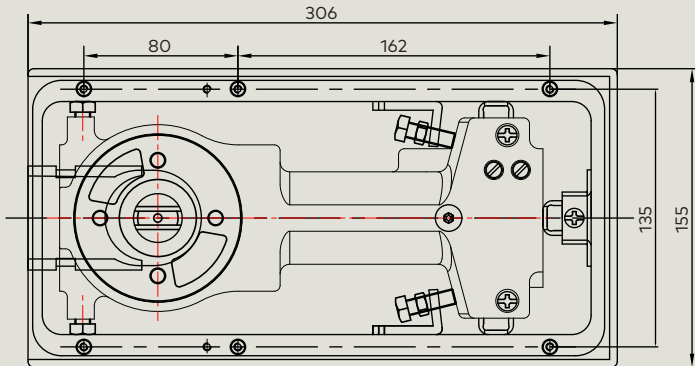
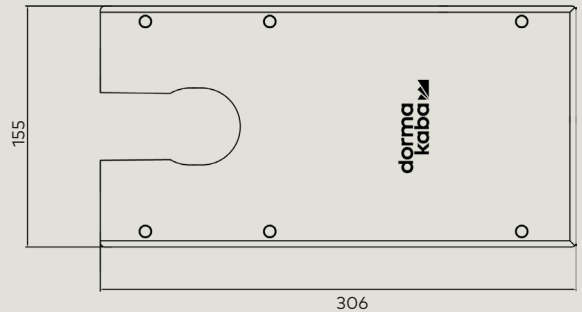


GD 3211

Floor spring package



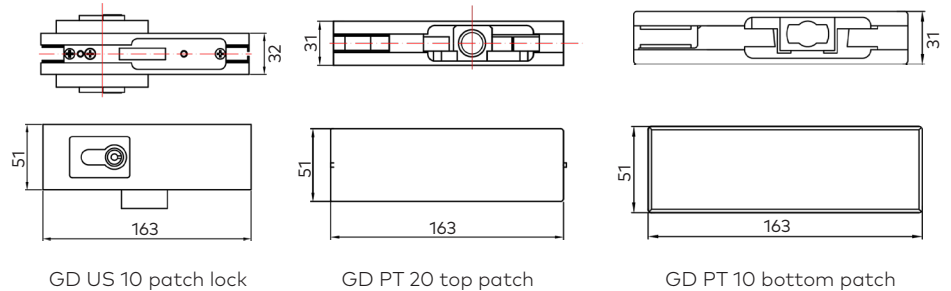
Cement box with dimensions



Satin stainless steel cover

| Technical Data | | GD 3211 |
|---|----------|---------|
| Door width (mm) | ≤ | 1000 |
| Door weight (kg) | ≤ | 85 |
| Door closing angle | ≤ | 120° |
| Max. closing force | | Fixed |
| Spring strength | | Size 3 |
| Dimensions (mm) | Length | 298 |
| | Width | 148 |
| | Height | 48 |
| Adjustable closing speed via valve | | ● |
| Adjustable latching speed via valve | | ● |
| Non-handed version | | ● |
| Hold open | | 90° |
| Glass thickness for patch fittings (mm) | | 10 - 12 |
| Patch fittings finish | Standard | PSS |

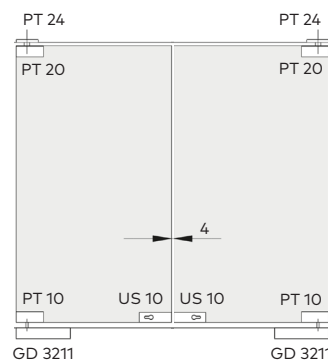
● Yes - No ○ Option



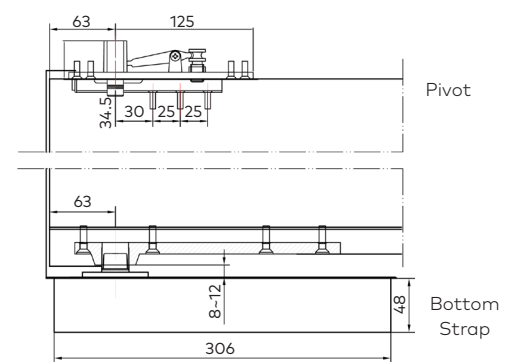
GD US 10 patch lock

GD PT 20 top patch

GD PT 10 bottom patch

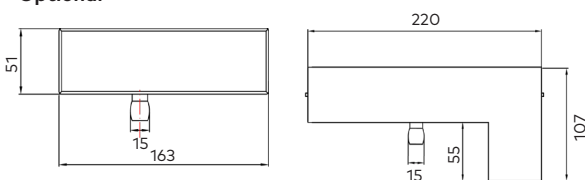


Patch fitting configurations



AL accessories

Optional



GD PT 30 overpanel patch

GD PT 40 overpanel patch

Antifake sticker

Each dormakaba BTS package is authenticated with a unique antifake sticker.



- 01 Find the antifake sticker on the product.
- 02 Go to www.dormakaba.com/me/verify
- 03 Scroll down to the Camera icon
- 04 Take a clear photo of the sticker, and upload.
- 05 Confirmation is immediate!

Contact us