

TS 92

TS 91

Door closer



The universal closers for standard doors – Tested and approved to EN 1154

As units designed especially for interior applications, the TS 92 and TS 91 door closers constitute the perfect complement to the dormakaba TS 93 cam-action door closer system. They likewise come in the Contur design and, thanks to their linear drive mechanism with heart-shaped cam, they offer the same ease of use. Moreover, their competitive pricing combined with their outstanding level of assured quality make them particularly attractive from an economic standpoint as well.

The production plant is ISO 9001 certified.

Plus points

For the trade

- Inexpensive cam-action technology for standard interior doors.
- Low storage costs and reduced inventory requirement thanks to uniform slide channels of the Contur series.

For the fabricator

- Non-handed.
- Easy to fix and quickly adjustable.

For the architect/specifier

- Excellent value for money.
- Uniform appearance throughout the entire Contur slide channel range.

For the user

- Exceptional ease of use and fully controlled closing action.
- Optimum adaptability of the closing speed with reliable latching thanks to two regulating valves.

Data and features		TS 92 B/G ¹⁾	TS 91 B
Closing force Adjustable	Size	EN 1–4 ●	EN 3 –
Standard doors ²⁾	≤ 950 mm	–	●
	≤ 1100 mm	●	–
External doors, outward opening ²⁾		–	–
For fire and smoke check doors		●	●
Non-handed design		●	●
Arm assembly type	Slide channel	●	●
Closing speed and latching action independently adjustable at two separate valves	180°–15°	●	●
	15°–0°		
Cushioned limit stay, mechanical		○	○
Backcheck		–	–
Delayed action		–	–
Hold-open		○	○
Weight in kg		2.0	1.9
Dimensions in mm	Length	281	267
	Overall depth	47	47
	Height	65	65
Door closer tested to EN 1154		●	●
CE mark for building products		●	●

● yes – no ○ optional

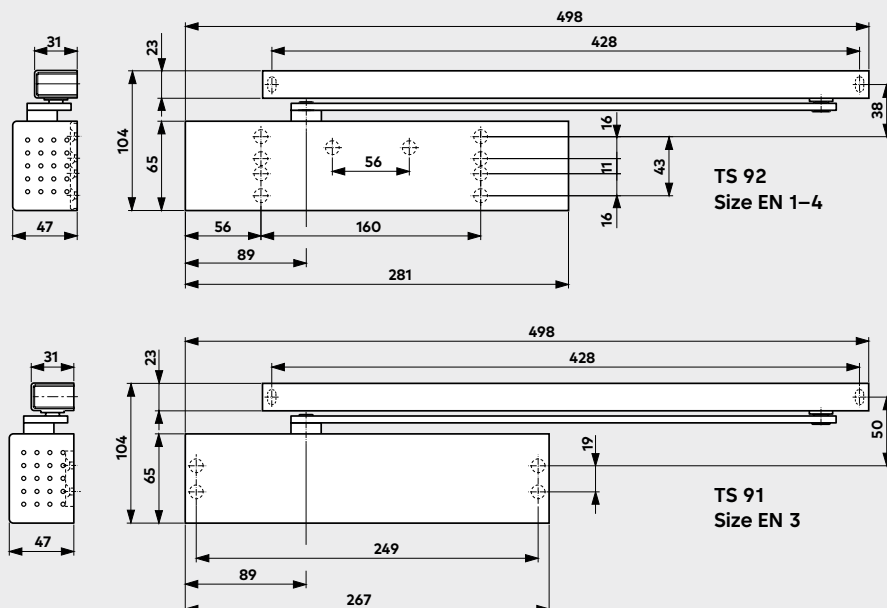
¹⁾ B = Standard model for pull-side door leaf fixing/push-side transom fixing

G = Special model for push-side door leaf fixing/pull-side transom fixing.

²⁾ For particularly heavy doors and doors which have to close against wind resistance, we recommend the TS 93.



The TS 92/TS 91 complies with the requirements and/or recommendations of the following: CERTIFIRE approved for fire doors ITT 120, MM/IMM 240; Ref. CF 119

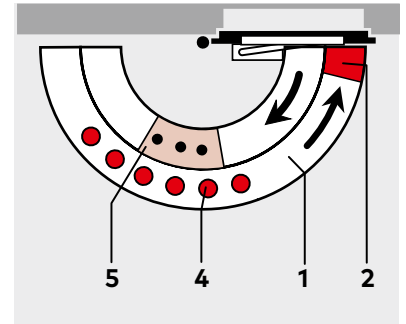
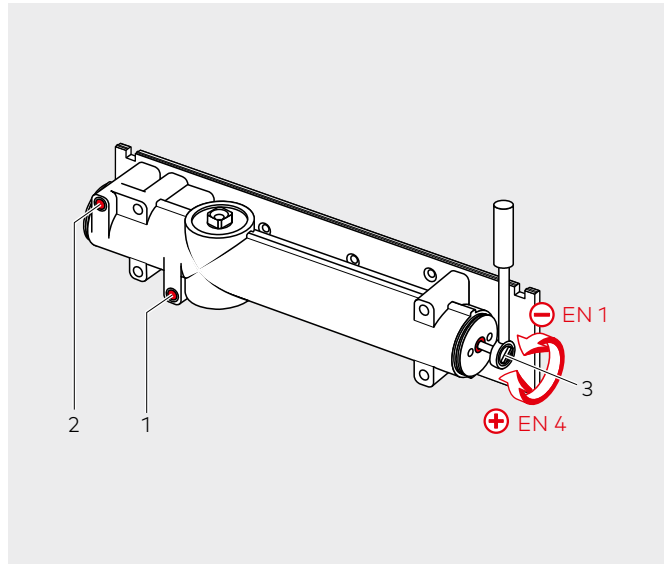


Standard and optional functions

TS 92 B/G

The **closing speed** of the TS 92 is individually adjustable over two independent ranges at two separate valves.

The **closing force setting (spring strength)** for the relevant door width is adjusted with the TS 92 at an infinitely variable lateral adjustment screw.

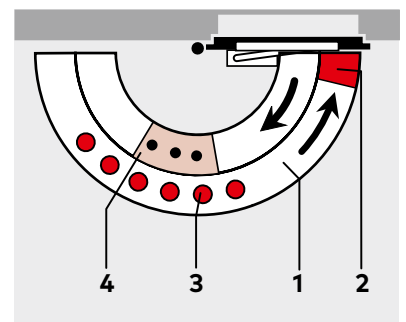
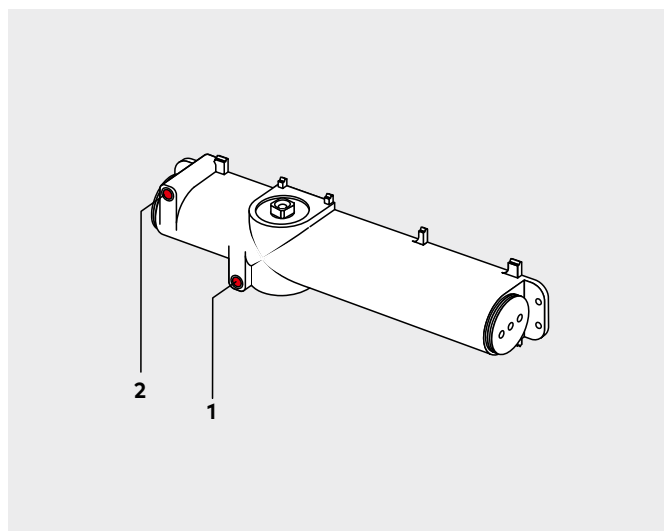


- 1 Variable closing speed in the range 180°–15°
- 2 Variable latching speed in the range 15°–0°
- 3 Infinitely variable closing force
- 4 Hold-open (option)
- 5 Cushioned limit stay (option)

TS 91 B

The **closing speed** of the TS 91 is individually adjustable over two independent ranges at two separate valves.

The **closing force (spring strength)** in the TS 91 is permanently set to size EN 3.



- 1 Infinitely variable closing speed in the range 180°–15°
- 2 Infinitely variable latching speed in the range 15°–0°
- 3 Hold-open (option)
- 4 Cushioned limit stay (option)

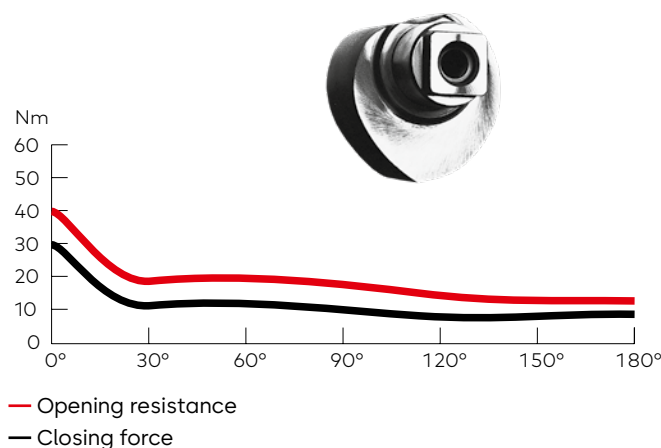
Force profile

TS 92 B

Closing force setting:
size EN 3



easy open

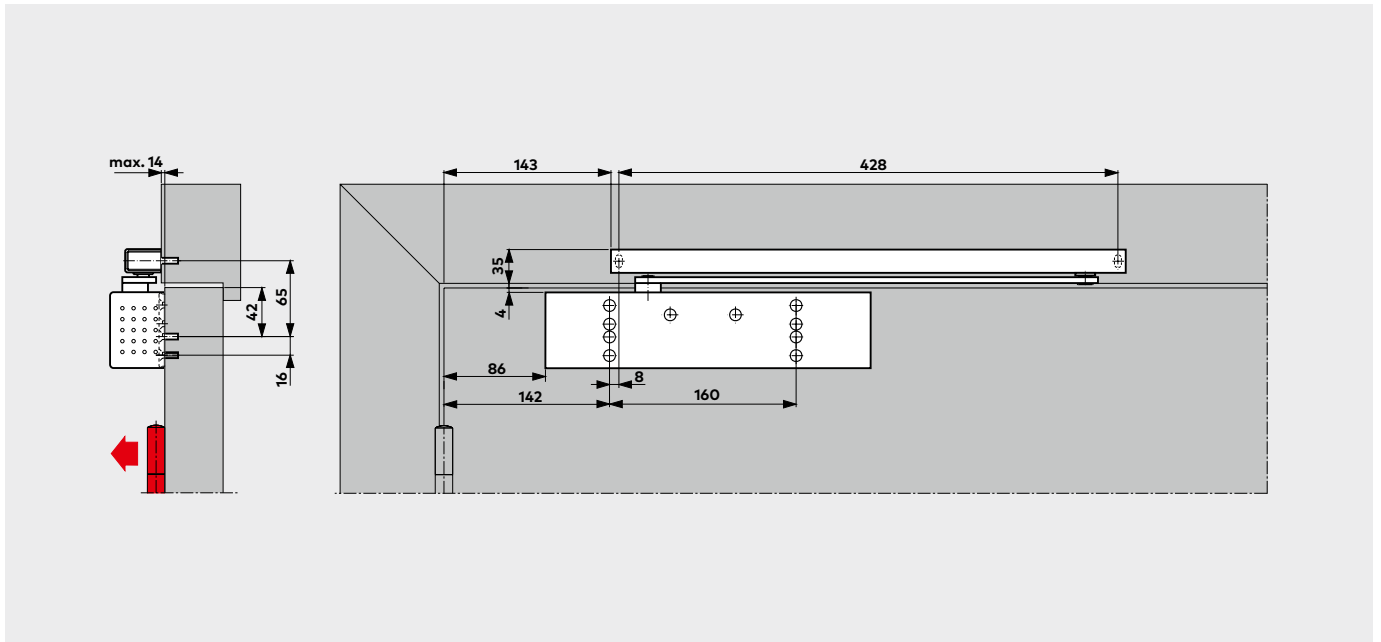


The heart-shaped cam and the linear drive mechanism which characterise all dormakaba cam-action door closers produce a rapidly decreasing opening torque, so greatly reducing the amount of effort required.

This means that even children, the elderly and the disabled can open doors with ease.

The user-friendliness of the system is further enhanced by the reliable latching action achieved by the fact that the closing force only rises in the end phase of the cycle.

TS 92 B Door leaf fixing, pull side

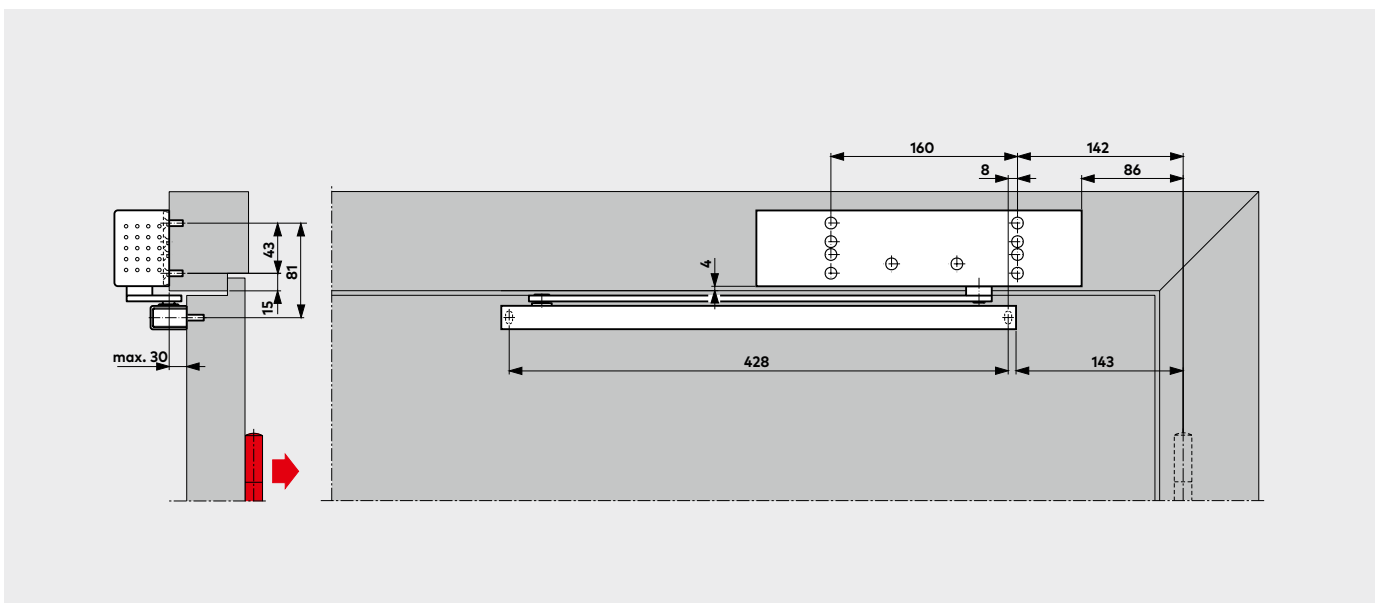


(example shows LH [ISO 6] door; RH [ISO 5] doors mirrored arrangement)

Provided the structural conditions allow, an opening angle of 180° is possible with this method of fixing.

In most cases, however, a wall recess will have to be provided for the door closer.

TS 92 B Transom fixing, push side

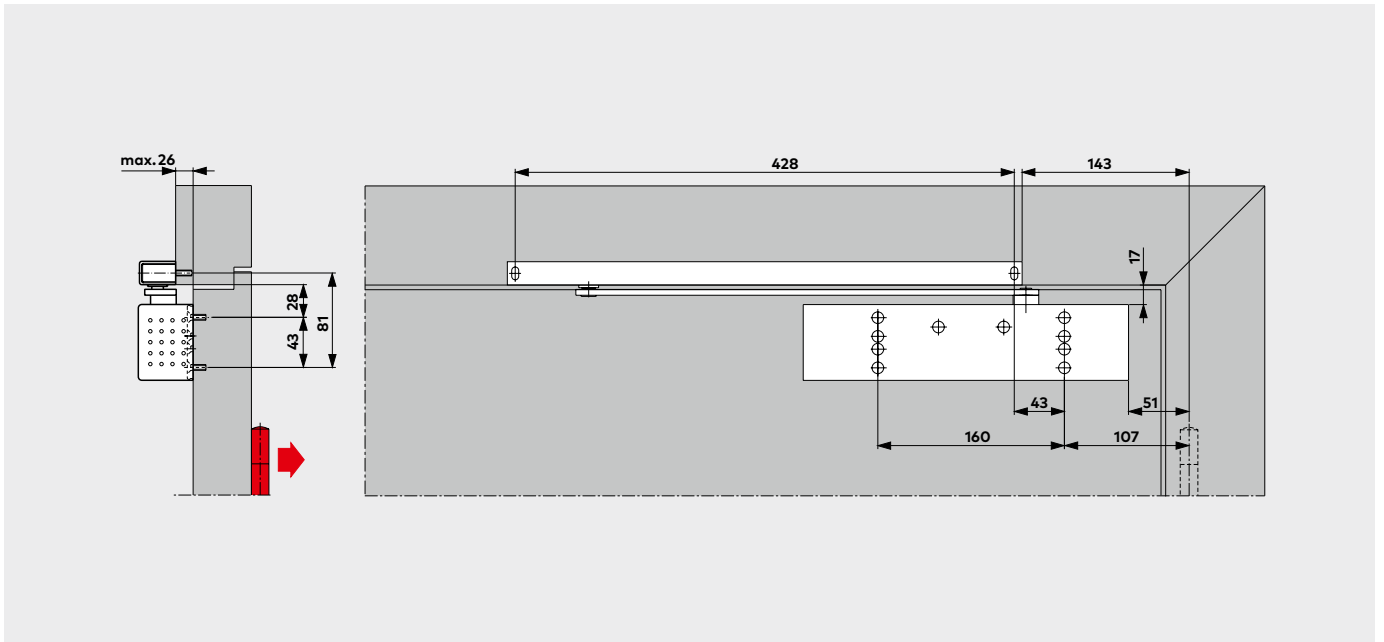


(example shows LH [ISO 6] door; RH [ISO 5] doors mirrored arrangement)

Depending on the structural conditions, the door opening angle with this method of fixing is limited to approx. 120° to 145°.

In order to avoid damage to the door or door closer, users are recommended to install a cushioned backstay or a door stop.

TS 92 G Door leaf fixing, push side



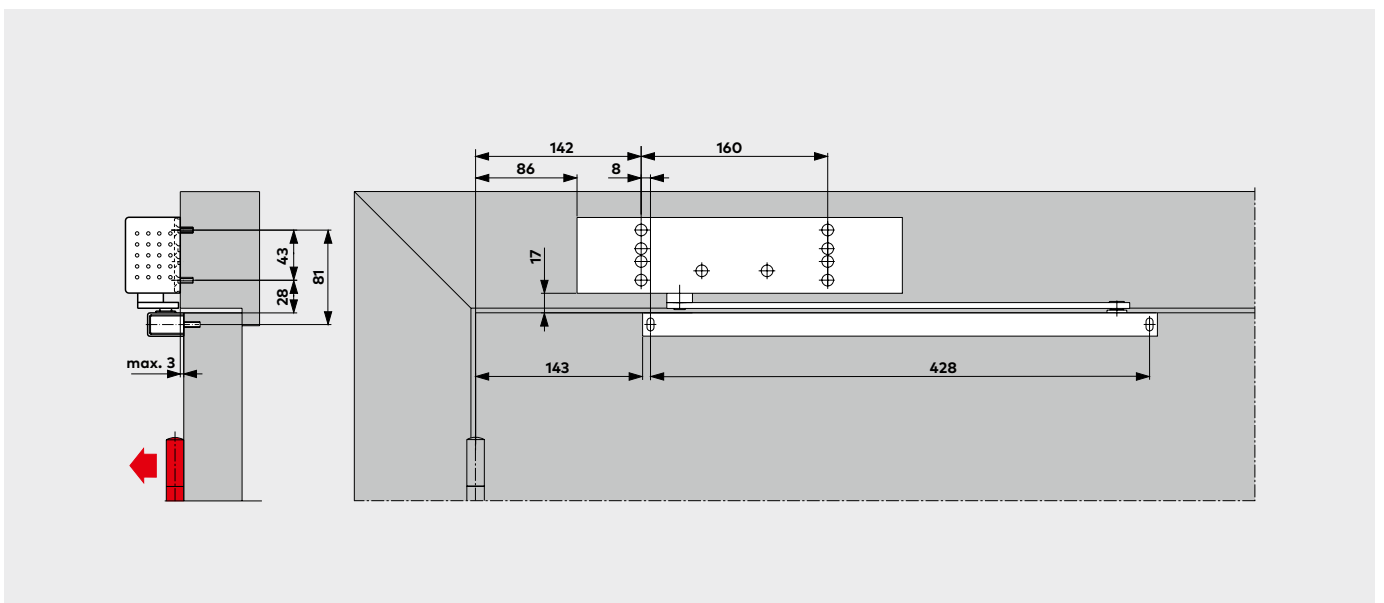
(example shows LH [ISO 6] door; RH [ISO 5] doors mirrored arrangement)

Depending on the structural conditions, the door opening angle with this method of fixing is limited to approx. 120° to 145°.

In order to avoid damage to the door or door closer, users are recommended to install a cushioned backstay or a door stop.

A door stop must be installed in the case of fire and smoke check doors.

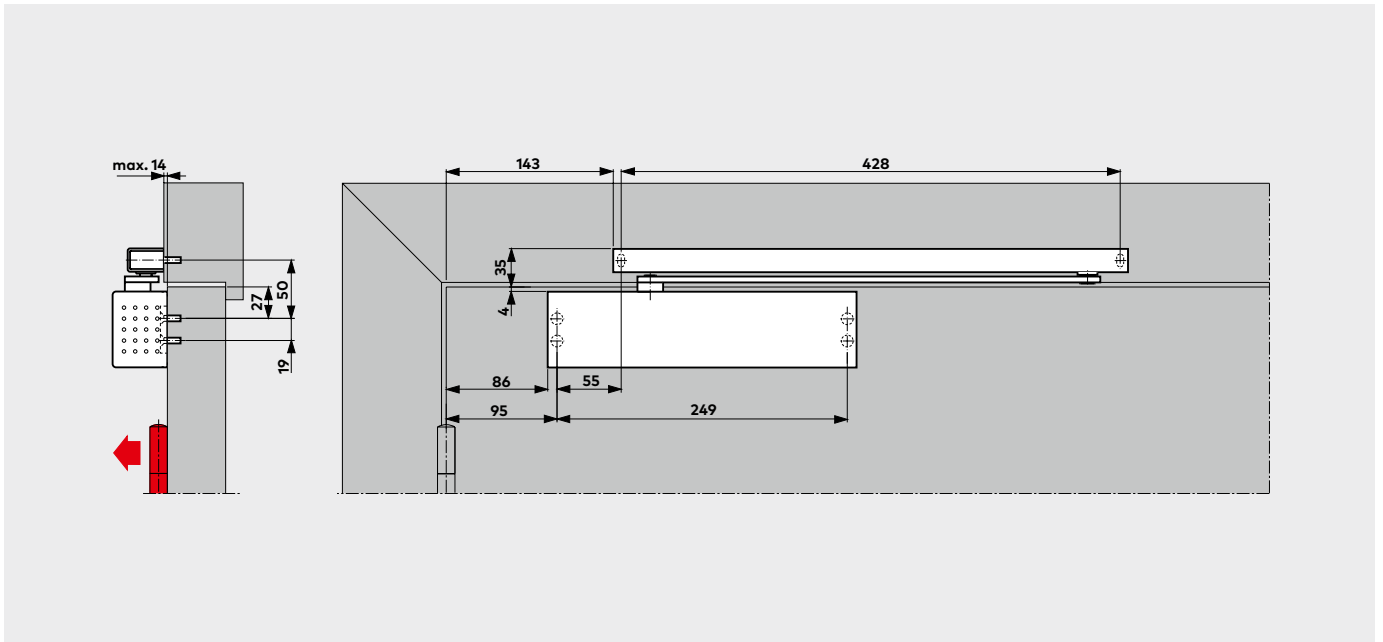
TS 92 G Transom fixing, pull side



(example shows LH [ISO 6] door; RH [ISO 5] doors mirrored arrangement)

Provided the structural conditions allow, an opening angle of 180° is possible with this method of fixing.

TS 91 B Door leaf fixing, pull side

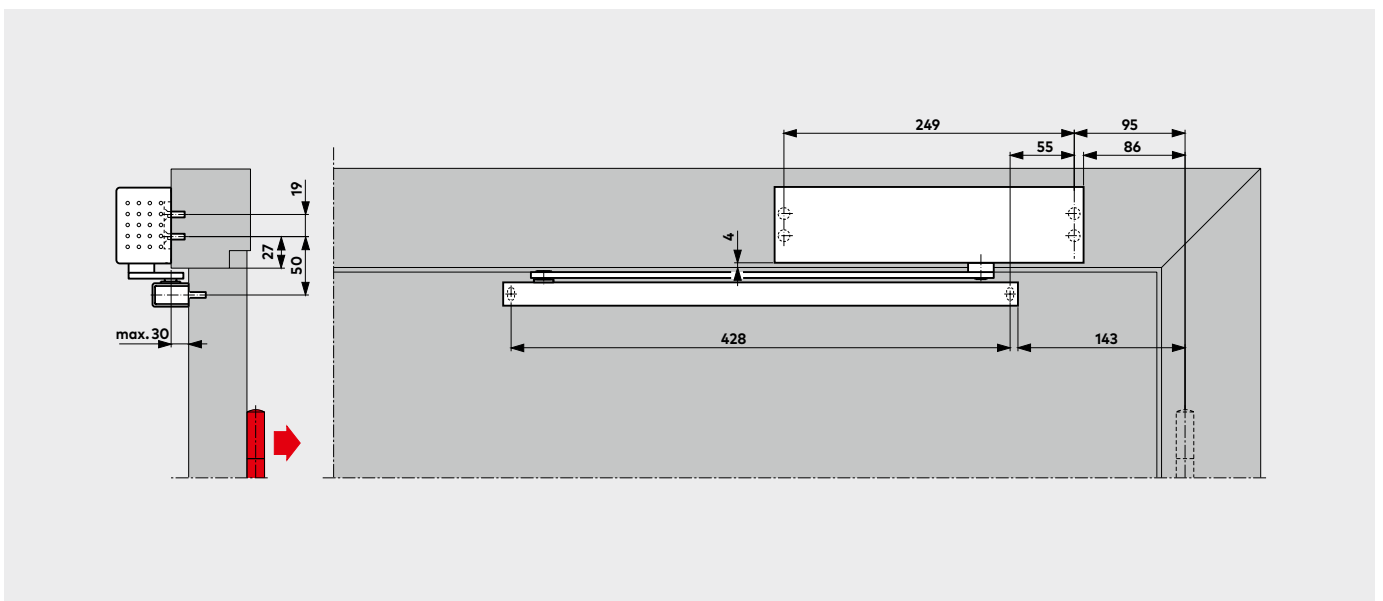


(example shows LH [ISO 6] door; RH [ISO 5] doors mirrored arrangement)

Provided the structural conditions allow, an opening angle of 180° is possible with this method of fixing.

In most cases, however, a wall recess will have to be provided for the door closer.

TS 91 B Transom fixing, push side



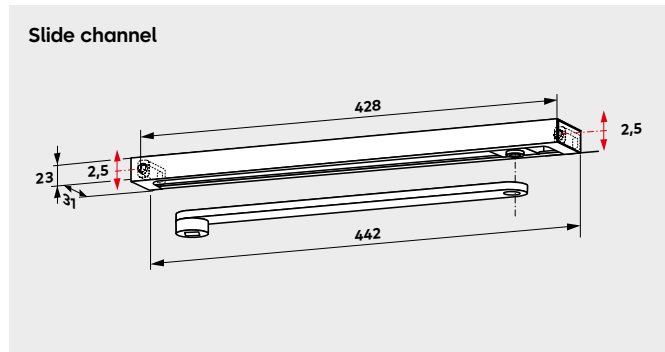
(example shows LH [ISO 6] door; RH [ISO 5] doors mirrored arrangement)

Depending on the structural conditions, the door opening angle with this method of fixing is limited to approx. 120° to 145°.

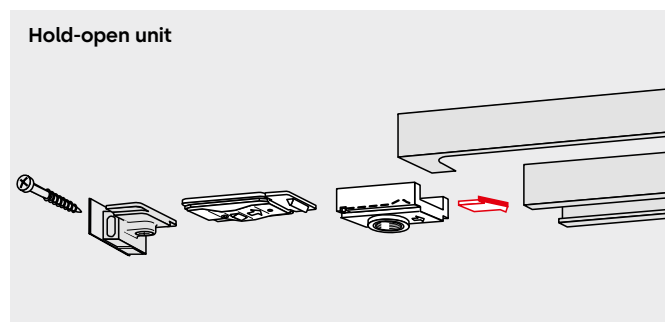
In order to avoid damage to the door or door closer, users are recommended to install a cushioned backstay or a door stop.

Slide channel

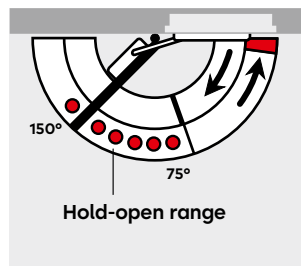
The **G-N** slide channel assembly comprises the main arm, slide channel, slide block, fixings, screws and end caps. The G-N slide channel is non-handed and can be combined with both door closers. Thanks to oblong holes in the fixing pads, it is possible to compensate for deviations in the drill hole pattern and to keep the door closer body and slide channel perfectly parallel.



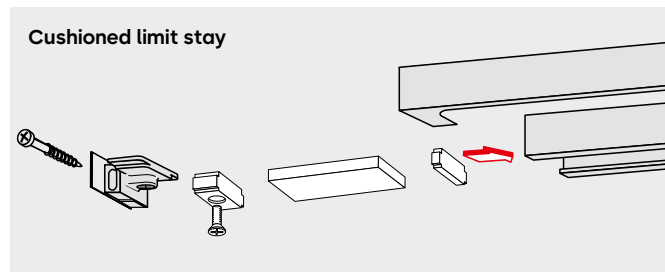
The **RF** mechanical hold-open unit ensures that doors are held open at precisely the correct angle – up to approx. 150° – without any fallback. The hold-open unit can be switched on and off by the user as required, and the pull-off force can be adjusted to suit each individual door situation. The RF hold-open unit is non-handed and can also be supplied for retrofitting to the slide channel at a later date.



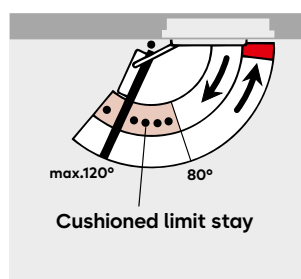
Not for fire and smoke check doors.



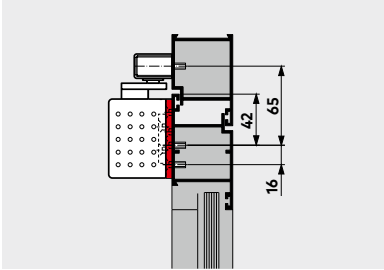
Cushioned limit stay simply slides into the slide channel. Adjustable between 80° and max. 120°. Also suitable for retrofitting. Fitting a cushioned limit stay prevents doors which are opened normally from impacting against adjacent walls.



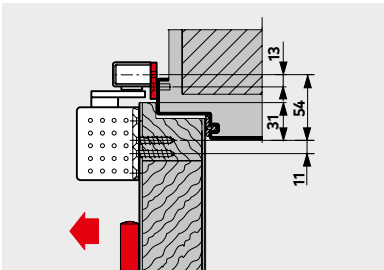
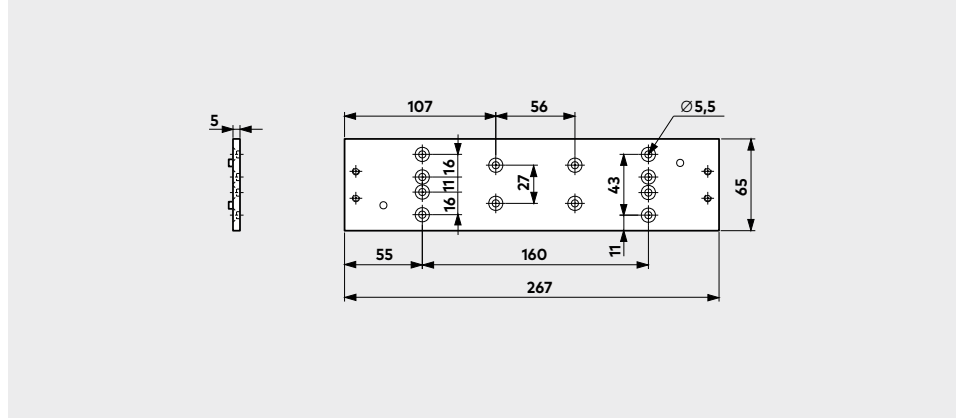
The cushioned limit stay is not an overload protection device and in many applications will not be a suitable substitute for a door stop.



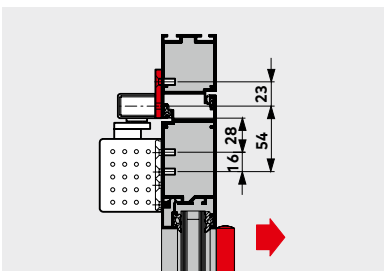
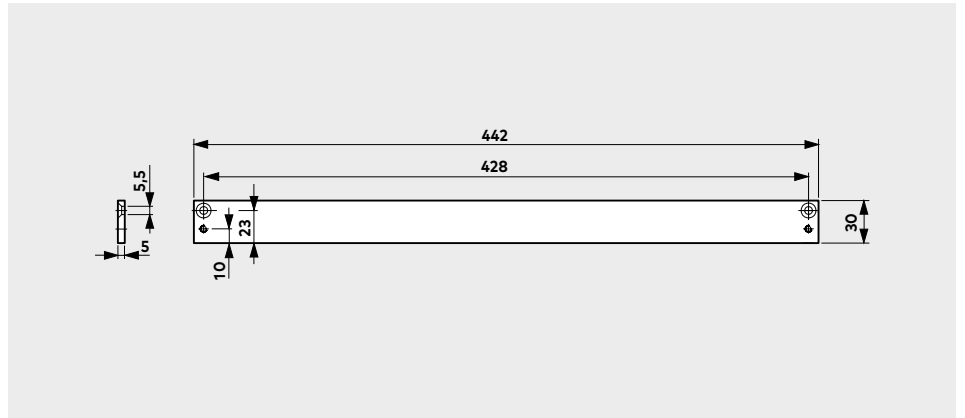
Accessories



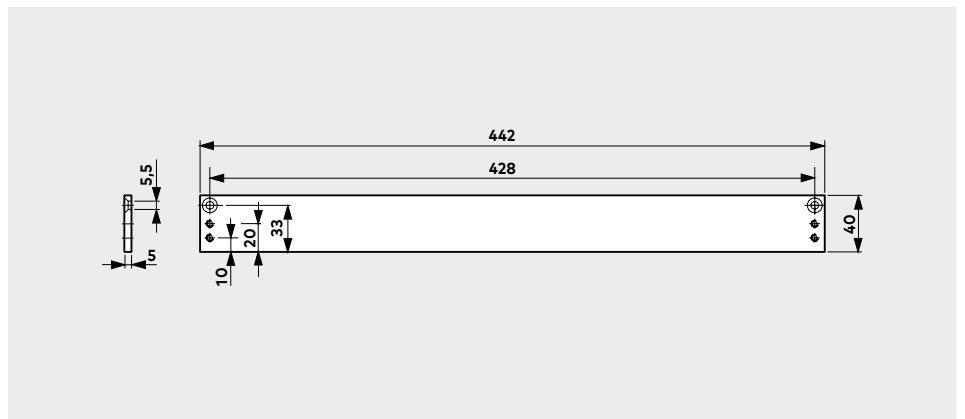
Mounting backplate for TS 91
 For fixing to doors which provide no means of direct mounting.
 Fixing hole pattern as per Supplement 1 to EN 1154.

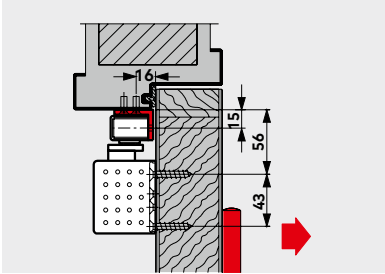


Mounting backplate 30 mm for G-N
 For fixing the slide channel to the door frame where there is no means of direct mounting.



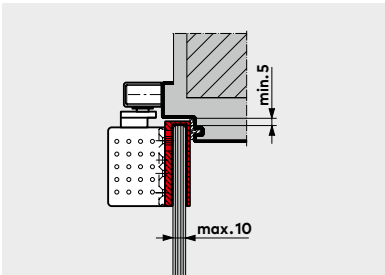
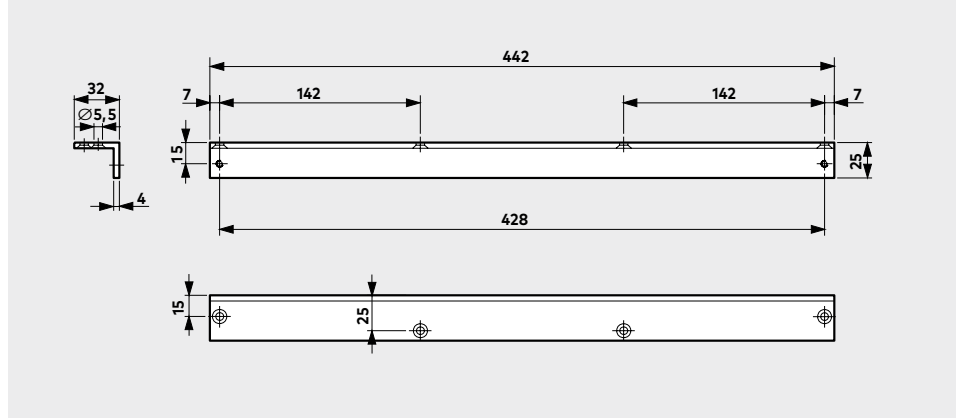
Mounting backplate 40 mm for G-N
 For fixing the slide channel to the door frame where there is no means of direct mounting.





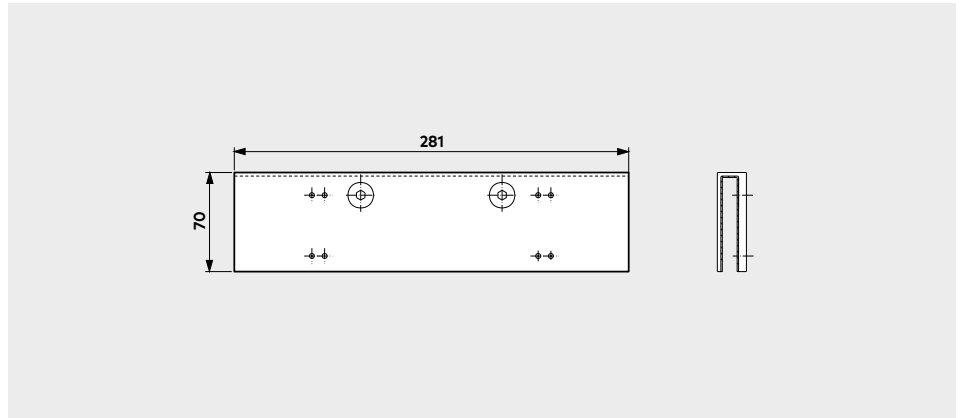
Angle bracket for G-N

For push-side fixing of the slide channel to door frames with a deep reveal.


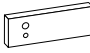

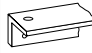

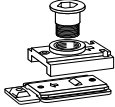


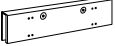


Glass door saddle plate for TS 92

For fixing the closer to toughened glass doors – No glass drilling or recessing required.



Standard equipment and accessories

	TS 92 B	TS 92 G	TS 91 B	Mounting backplate 30 mm for G-N	Mounting backplate 40 mm for G-N	Angle bracket for G-N	Cushioned limit stay set for G-N	Hold-open unit for G-N
								
	Size EN 1-4 ■ 420201xx	Size EN 1-4 ■ 420301xx	Size EN 3 ■ 410201xx	644000xx	644100xx	644300xx	35800093	18570000
G-N  □ 640100xx	□ ■	□ ■	□ ■	△	△	△	△	△
Mounting backplate for TS 91  410002xx			△					
Glass door saddle plate for TS 92  420001xx	△	△						

xx Colour

- 01 Silver
- 11 White (RAL 9016)
- 09 Special colour

- TS 92 also available in matching
- 04 "Design" finishes
- 05 Stainless steel
- Polished brass

xx Colour

- Closer separate
- Slide channel assembly separate
- △ Optional accessory

* "Design" refers to the surface finish of the products

F Proof of suitability

The door closers TS 92 B, TS 92 G and TS 91 B have been approved by the Material Testing Office, Dortmund, according to EN 1154. If the TS 92 B and TS 91 B are used in lintel installation or the TS 92 G is used, a suitability certificate must be in conjunction with the respective fire and smoke door additionally.

Specification text

TS 92 B/G

Cam-action door closer, CERTIFIRE approved (CF 119), in Contur design with linear drive and rapidly decreasing opening resistance/torque, adjustable closing speed in two independent ranges and mounting backplate with universal fixing hole pattern; closing force infinitely variable between size EN 1 and EN 4. Non-handed. Approved to EN 1154.

Model

- TS 92 B
- TS 92 G

Accessories

- Hold-open unit
- Cushioned limit stay
- Mounting backplate (30 mm) for G-N
- Mounting backplate (40 mm) for G-NN
- Angle bracket for G-N
- Saddle plate for toughened glass doors

Colour

- silver
- white (sim. to RAL 9016)
- stainless steel
- polished brass
- special colour (sim. to RAL)

Make

- TS 92 B
- TS 92 G

TS 91 B

Cam-action door closer, CERTIFIRE approved (CF 119), in Contur design with linear drive and rapidly decreasing opening resistance/torque, adjustable closing speed in two independent ranges and mounting backplate with universal fixing hole pattern; closing force EN 3. Non-handed. Approved to EN 1154.

Accessories

- Hold-open unit
- Cushioned limit stay
- Mounting backplate (30 mm) for G-N
- Mounting backplate (40 mm) for G-N
- Mounting backplate for TS 91

Colour

- silver
- white (sim. to RAL 9016)
- special colour (sim. to RAL)

Make

- TS 91 B

Our Sustainability Commitment

We are committed to foster a sustainable development along our entire value chain in line with our economic, environmental and social responsibilities toward current and future generations. Sustainability at product level is an important, future-oriented approach in the field of construction. In order to give quantified disclosures of a product's environmental impact through its entire life cycle, dormakaba provides Environmental Product Declarations (EPD), based on holistic life cycle assessments.

www.dormakaba.com/sustainability



Our offering

Access Automation Solutions

Entrance Automation
Entrance Security



Access Control Solutions

Electronic Access & Data
Escape and Rescue Systems
Lodging Systems



Access Hardware Solutions

Door Closers
Architectural Hardware
Mechanical Key Systems



Services

Technical Support
Installation and commissioning
Maintenance and Repair



Key & Wall Solutions

Key Systems
Movable / Sliding Walls



Safe Locks

Electronic Safe Locks
Mechanical Safe Locks
Boltworks and Accessories



Glass systems

Manual door systems
Glass fittings
Horizontal Sliding Walls



WN 05312651532, EN, 05/2023
Subject to technical modifications.



dormakaba.com

dormakaba
International Holding AG
Hofwissenstrasse 24
CH-8153 Rümlang
T +41 44 818 90 11
info@dormakaba.com
dormakaba.com