

# Confidant RFID Kit 2 & Kit 3

(European Mortise Lock Case)

## Rose Mount & Back Plate

### Installation Instructions

PK3649-T - 2022 - 09

EN

dormakaba 



# Installation Steps

<b>Inventory</b> .....	<b>5</b>
Rose Mount (Key Override) .....	5
Rose Mount (NO Key Override) To use if no cylinder is required .....	6
Back Plate Mount (Key Override) .....	7
Back Plate Mount (NO Key Override) To use if no cylinder is required .....	8
<b>Install Spindle</b> .....	<b>9</b>
<b>Install Outside Lever</b> .....	<b>10</b>
<b>Align Posts with Mortise</b> .....	<b>11</b>
(Rose Mount Only) .....	11
<b>Adjust Handing</b> .....	<b>12</b>
<b>Prepare Inside Housing</b> .....	<b>12</b>
<b>Install Lock on Door</b> .....	<b>13</b>
Back Plate Mount (Key Override) .....	13
Rose Mount (Key Override) .....	14
Back Plate Mount (NO Key Override) .....	15
Rose Mount (NO Key Override) .....	16
<b>Install Inside Trim Cover</b> .....	<b>17</b>
<b>Plug Battery Holder</b> .....	<b>18</b>
<b>Test Lock Functionality</b> .....	<b>18</b>
<b>Program Lock</b> .....	<b>18</b>
<b>Install Battery Door</b> .....	<b>19</b>
<b>Emergency Exit Device</b> .....	<b>20</b>
<b>EN 179 certificate</b> .....	<b>20</b>
<b>Annex A • Install Outside Housing</b> .....	<b>21</b>
<b>Annex B • Remove Battery Holder</b> .....	<b>21</b>
<b>Annex C • Install Bluetooth and Messenger module</b> .....	<b>22</b>
<b>Annex C • Install Bluetooth and Messenger module</b> .....	<b>23</b>
<b>Annex D • Remove cover of Bluetooth and Messenger module</b> .....	<b>24</b>
<b>Annex E • DIN Lever Installation</b> .....	<b>25</b>
<b>Drilling templates are available on the support site <a href="http://kabalodgingsupport.com">kabalodgingsupport.com</a></b>	

Model: Confidant RFID  
IC: 4652A-CRFID  
FCCID: Q8SCONFIDANT-RFID

Regulatory Compliance: This device complies with Part 15 of the FCC Rules. Operation is subject to the following two conditions: (1) this device may not cause harmful interference, and (2) this device must accept any interference received, including interference that may cause undesired operation.

Any changes or modifications of this product, not approved by manufacturer will void the user's authority to operate the equipment.

This device complies with Industry Canada licence-exempt RSS standard(s). Operation is subject to the following two conditions: (1) this device may not cause interference, and (2) this device must accept any interference, including interference that may cause undesired operation of the device.

Le présent appareil est conforme aux CNR d'Industrie Canada applicables aux appareils radio exempts de licence. L'exploitation est autorisée aux deux conditions suivantes : (1) l'appareil ne doit pas produire de brouillage, et (2) l'utilisateur de l'appareil doit accepter tout brouillage radioélectrique subi, même si le brouillage est susceptible d'en compromettre le fonctionnement.

Made in Canada

©2021 dormakaba. All trademarks and registered trademarks are the property of their respective owners.

# Disclaimer

## IMPORTANT

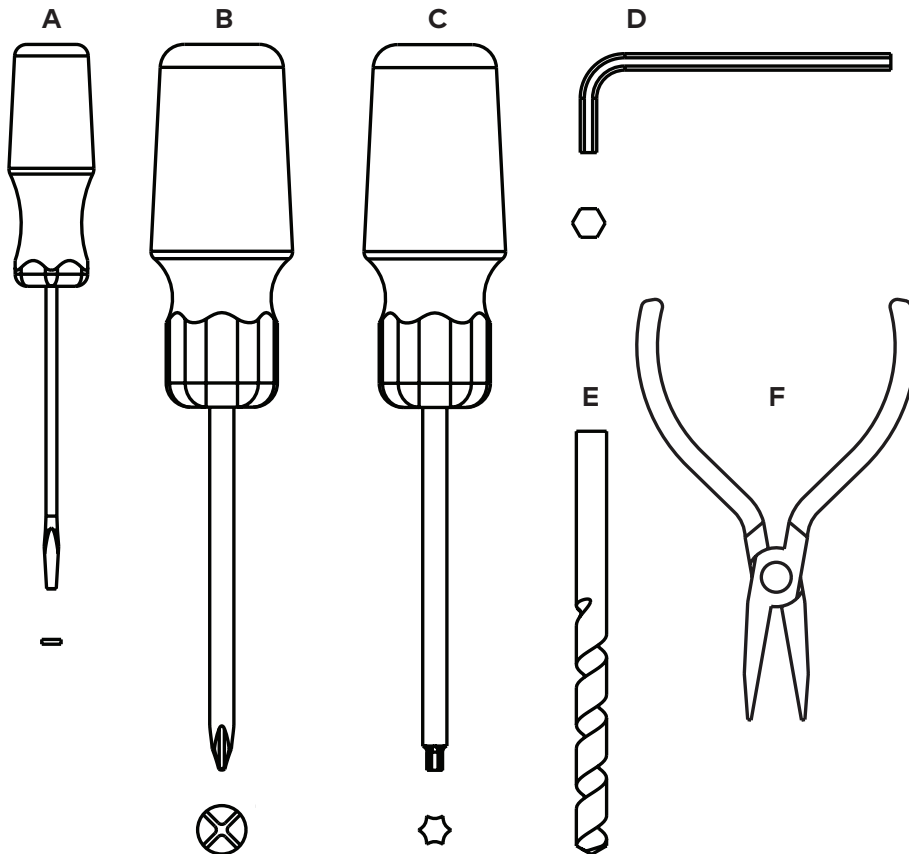
Carefully inspect windows, doorframe, door, etc. to ensure that the recommended procedures will not cause damage. Kaba standard warranty does not cover damages caused by installation.

Refer to drilling templates for the hole to drill in the doors.

## ⚠ CAUTION

Wear safety glasses when making the holes.  
Respect applicable building codes regarding handle height.

## Tools



- A - Screw Driver Small Flat
- B - Screw Driver Phillips #1 & #2
- C - Screw Driver Torx T-20
- D - Hexagonal Key 3 mm
- E - 25mm / 24mm / 19mm / 12mm / 10mm Drill Bit
- F - Needle Nose Pliers

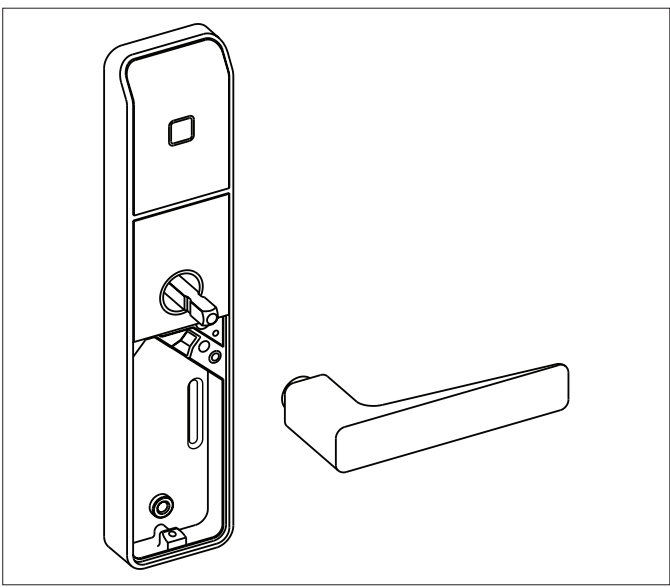
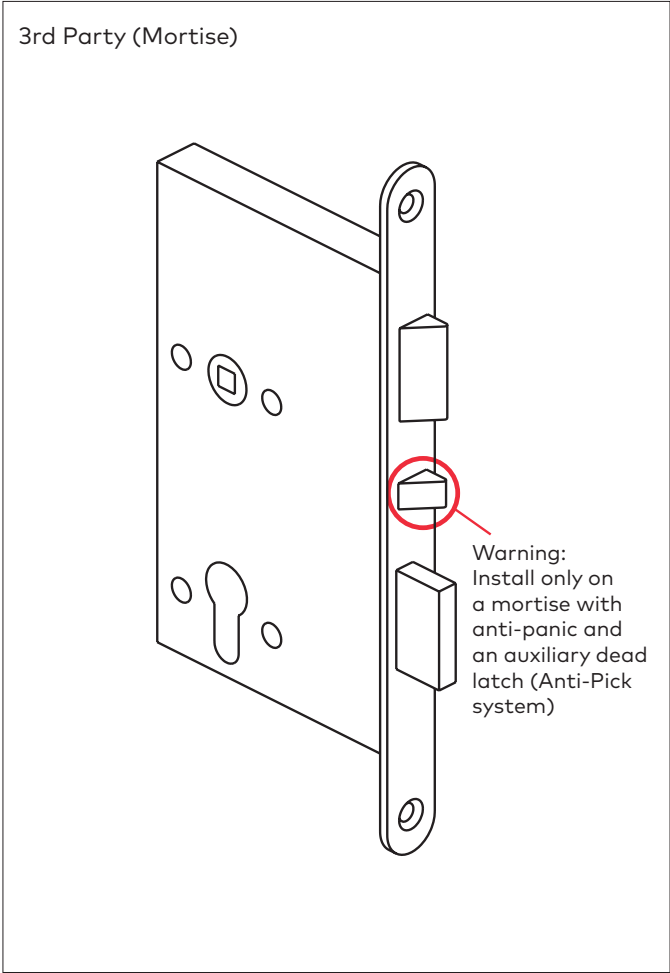
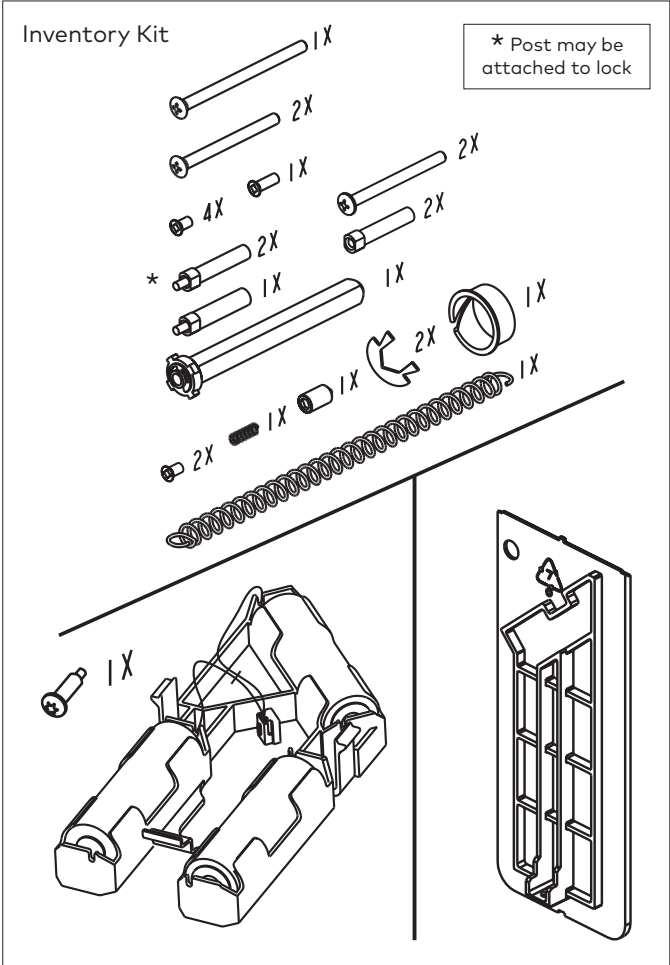
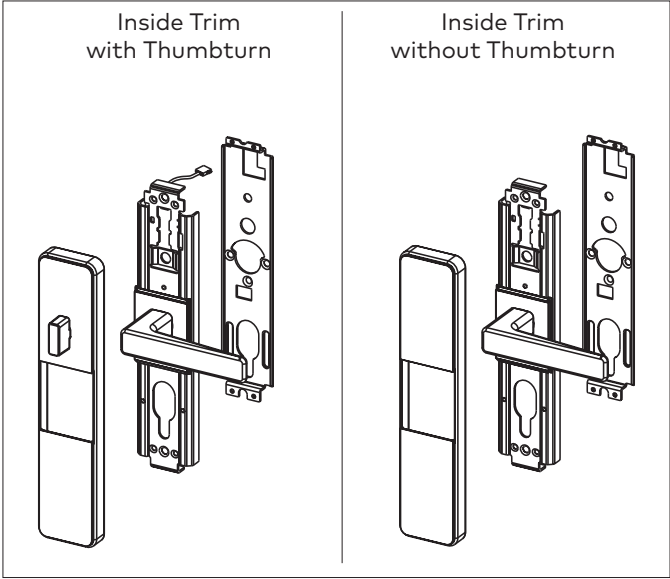




# Inventory

Rose Mount (NO Key Override)

To use if no cylinder is required

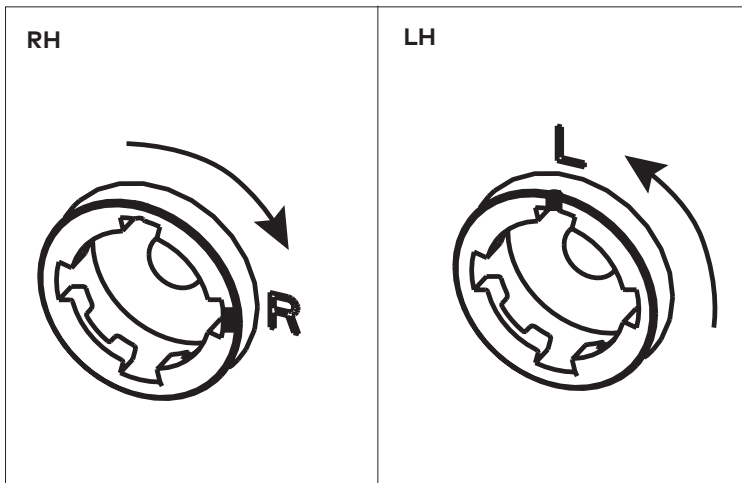




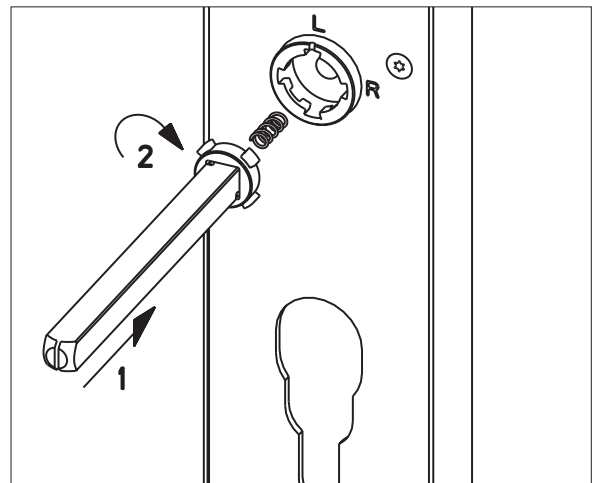


# Install Spindle

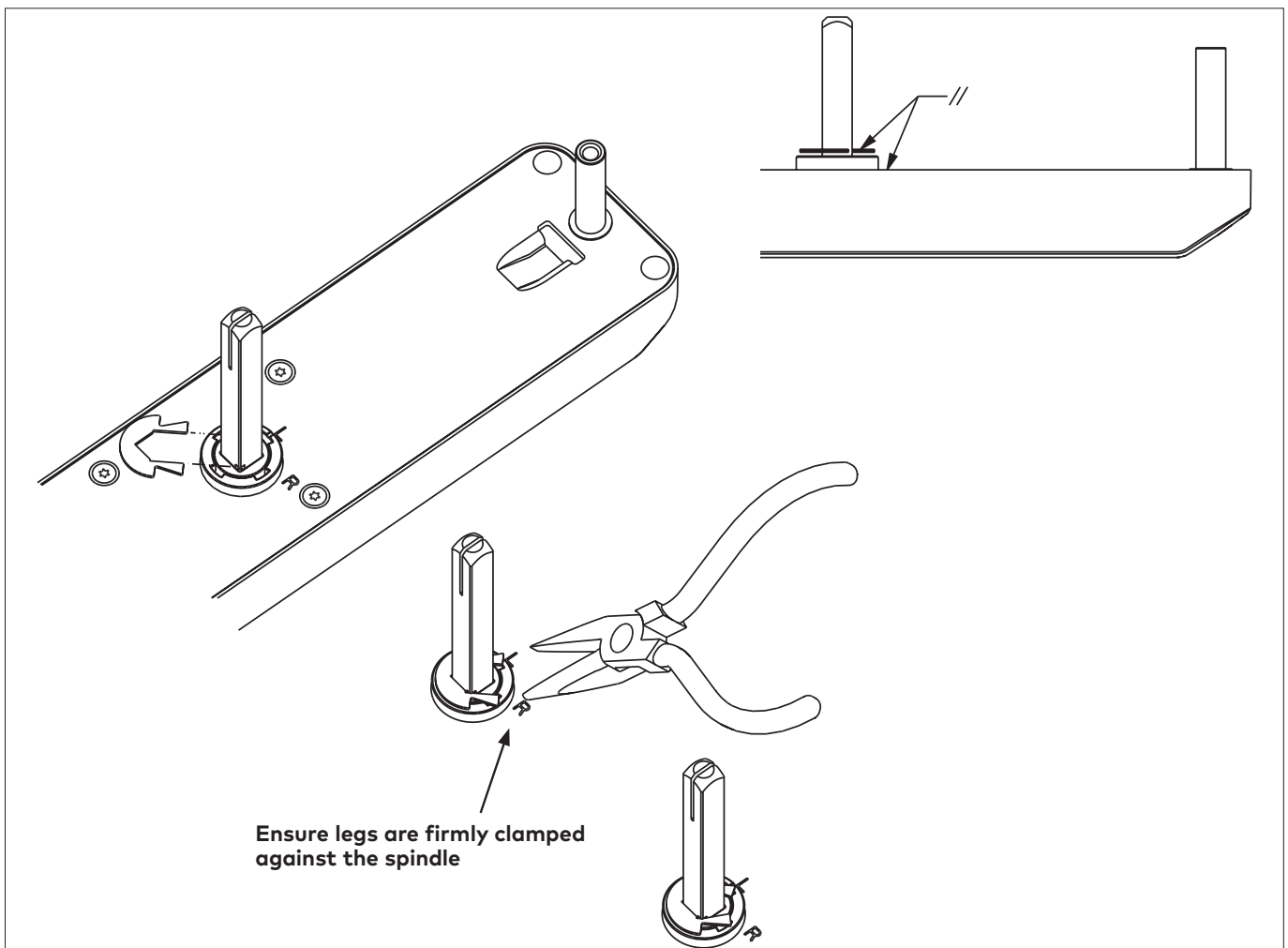
1- **Check Handing:** Adjust for Right Hand (RH) or Left Hand (LH)



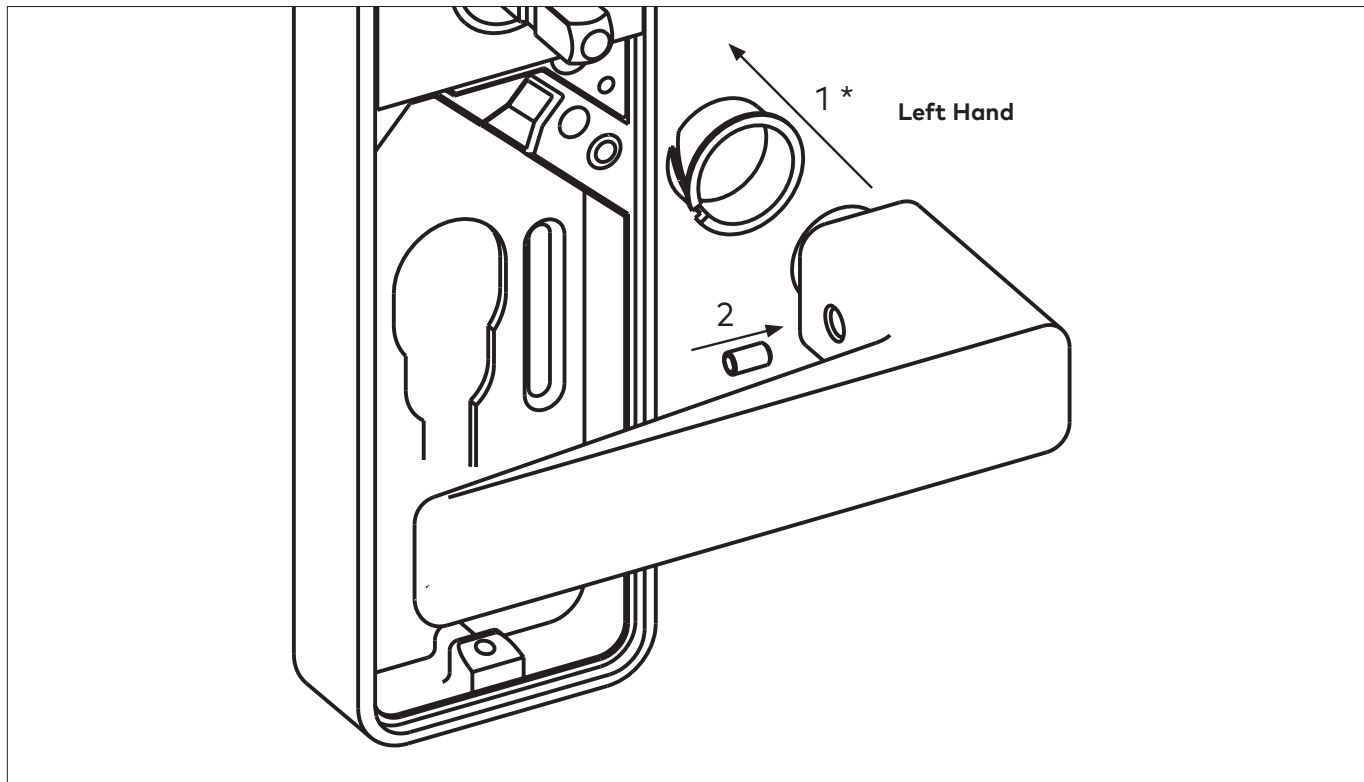
2- **Insert Spindle**



3- **Attach and Clamp Spindle Clip to Spindle as shown.**

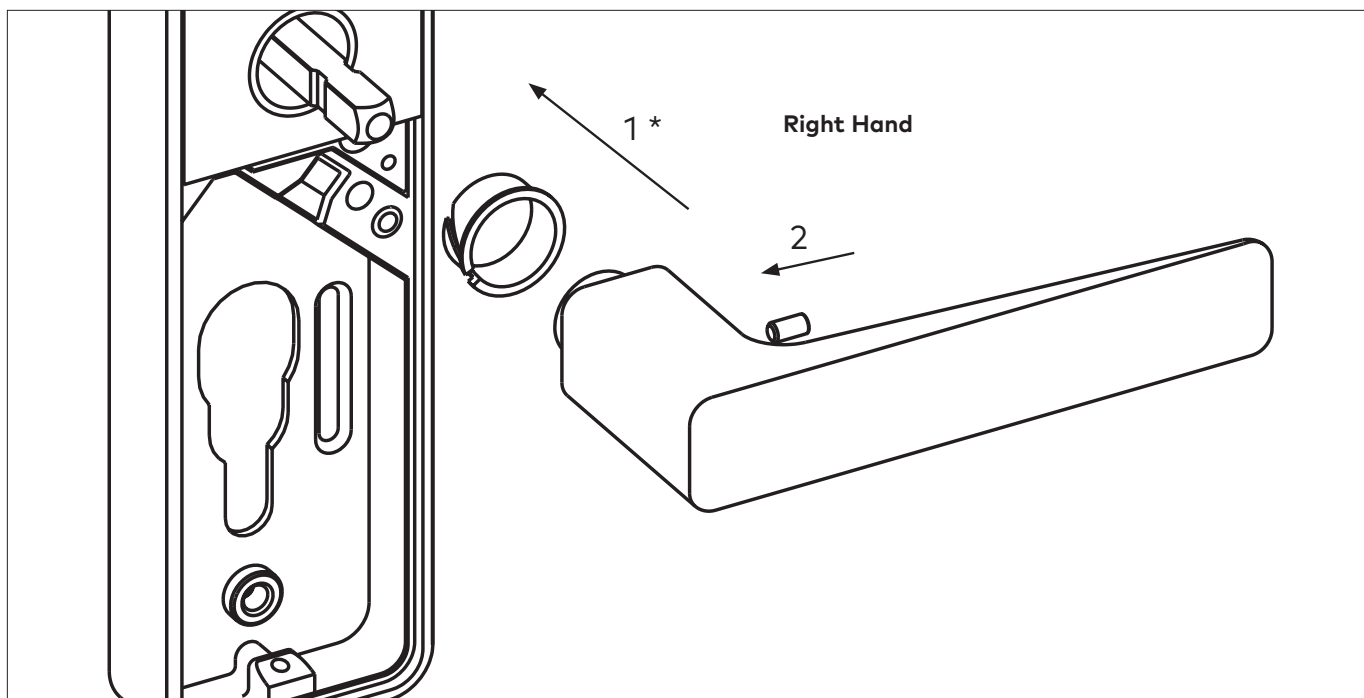


# Install Outside Lever



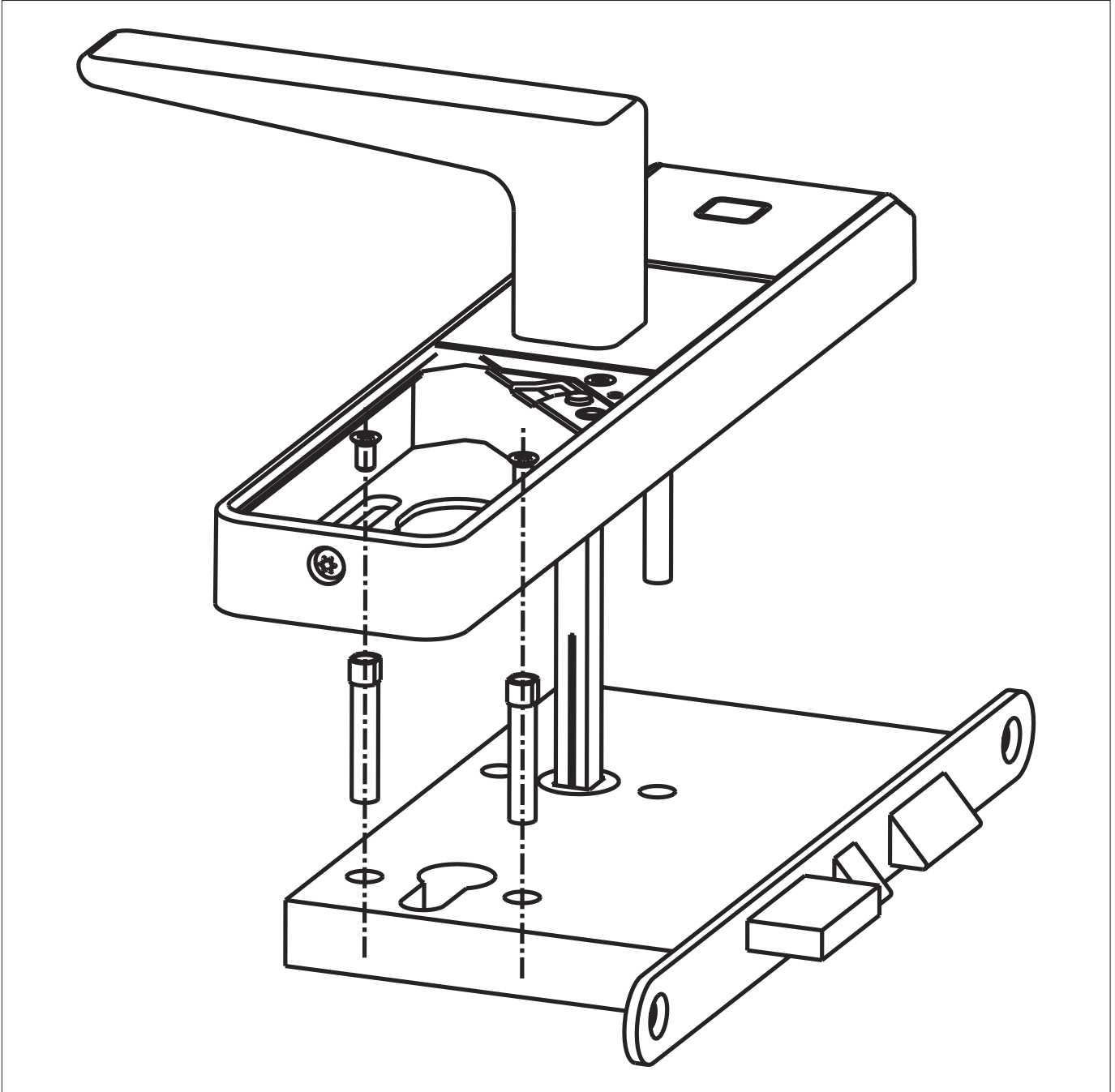
## IMPORTANT

Hold down the outside lever against the outside housing while tightening the lever set screw.



# Align Posts with Mortise

(Rose Mount Only)

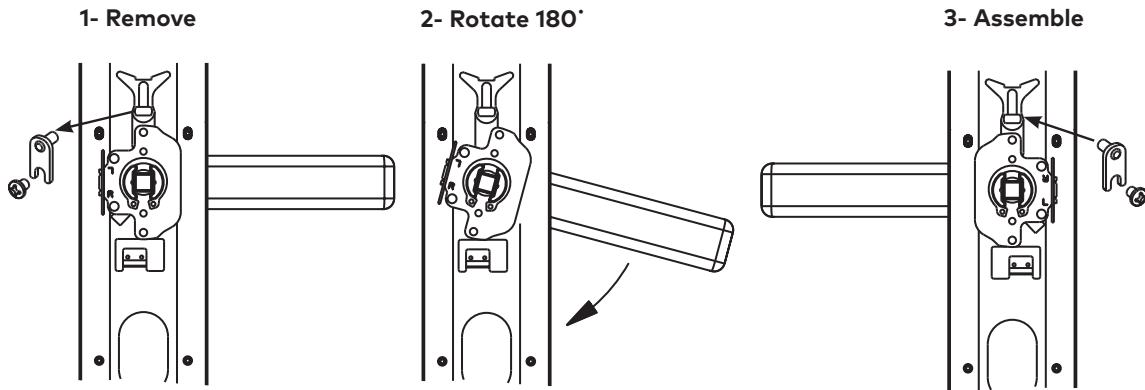


## IMPORTANT

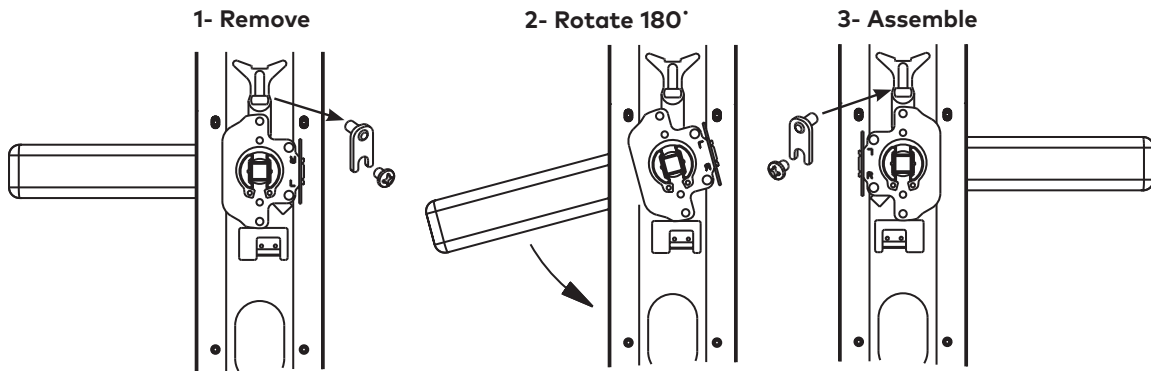
Ensure Mortise lock case includes an anti-pick and anti-panic function

# Adjust Handing

## Handing RH to LH

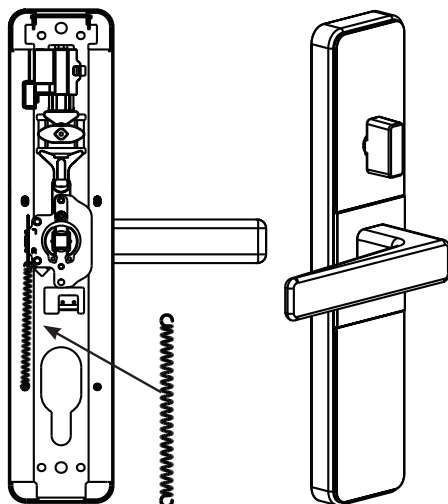


## Handing LH to RH

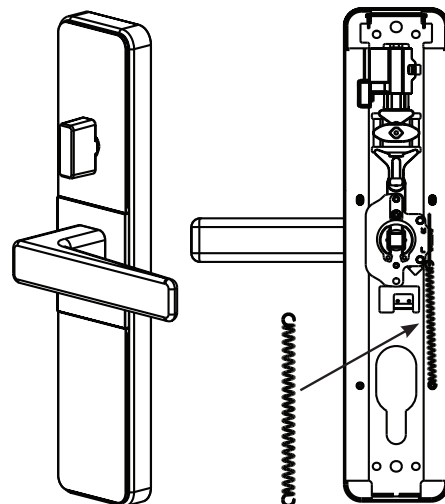


# Prepare Inside Housing

## Inside Right Hand Housing



## Inside Left Hand Housing





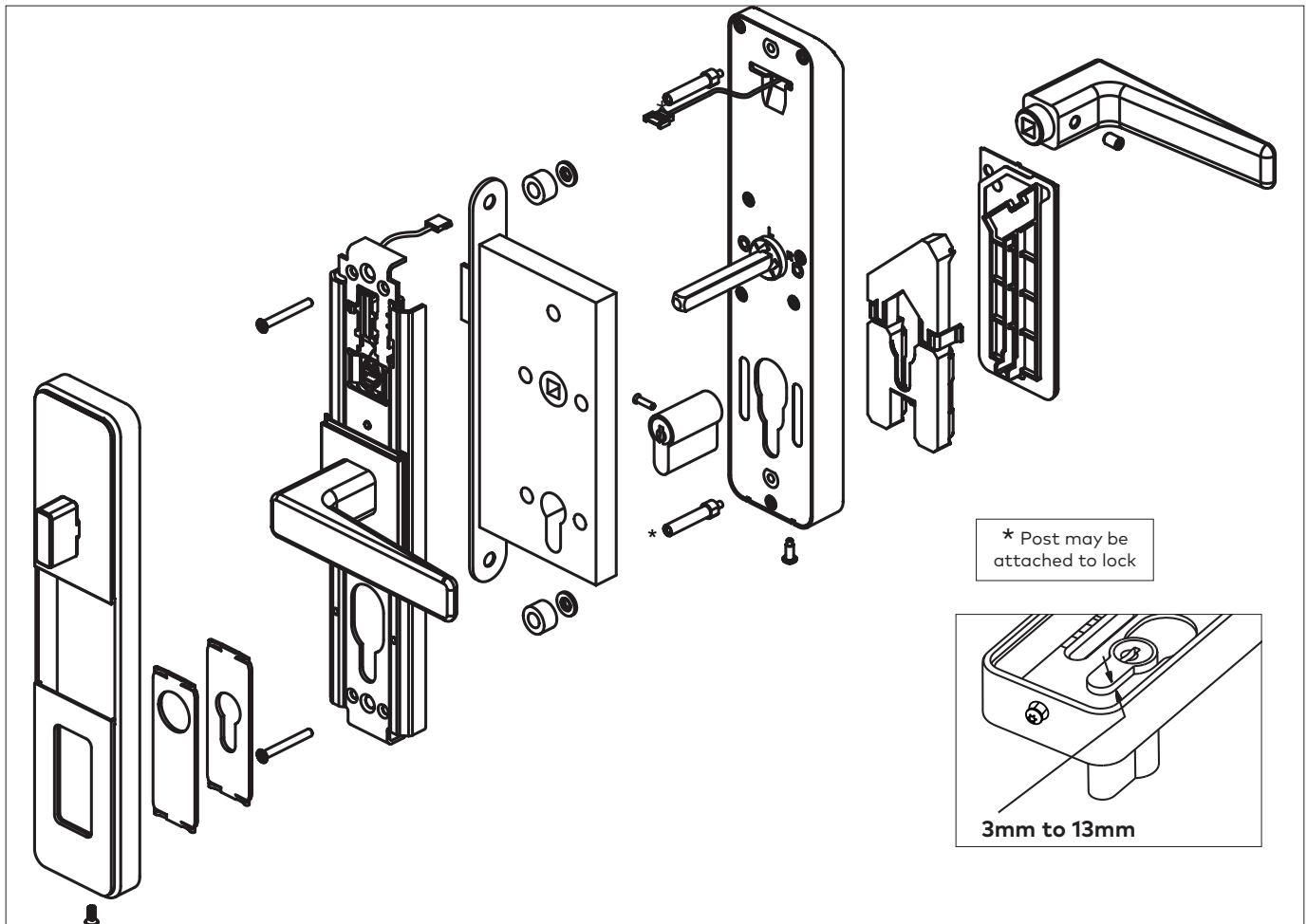
# Install Lock on Door

## Back Plate Mount (Key Override)

### IMPORTANT

Locks with DIN lever handle shall not be installed with back plate mount option.

See Annex A for Exterior Applications



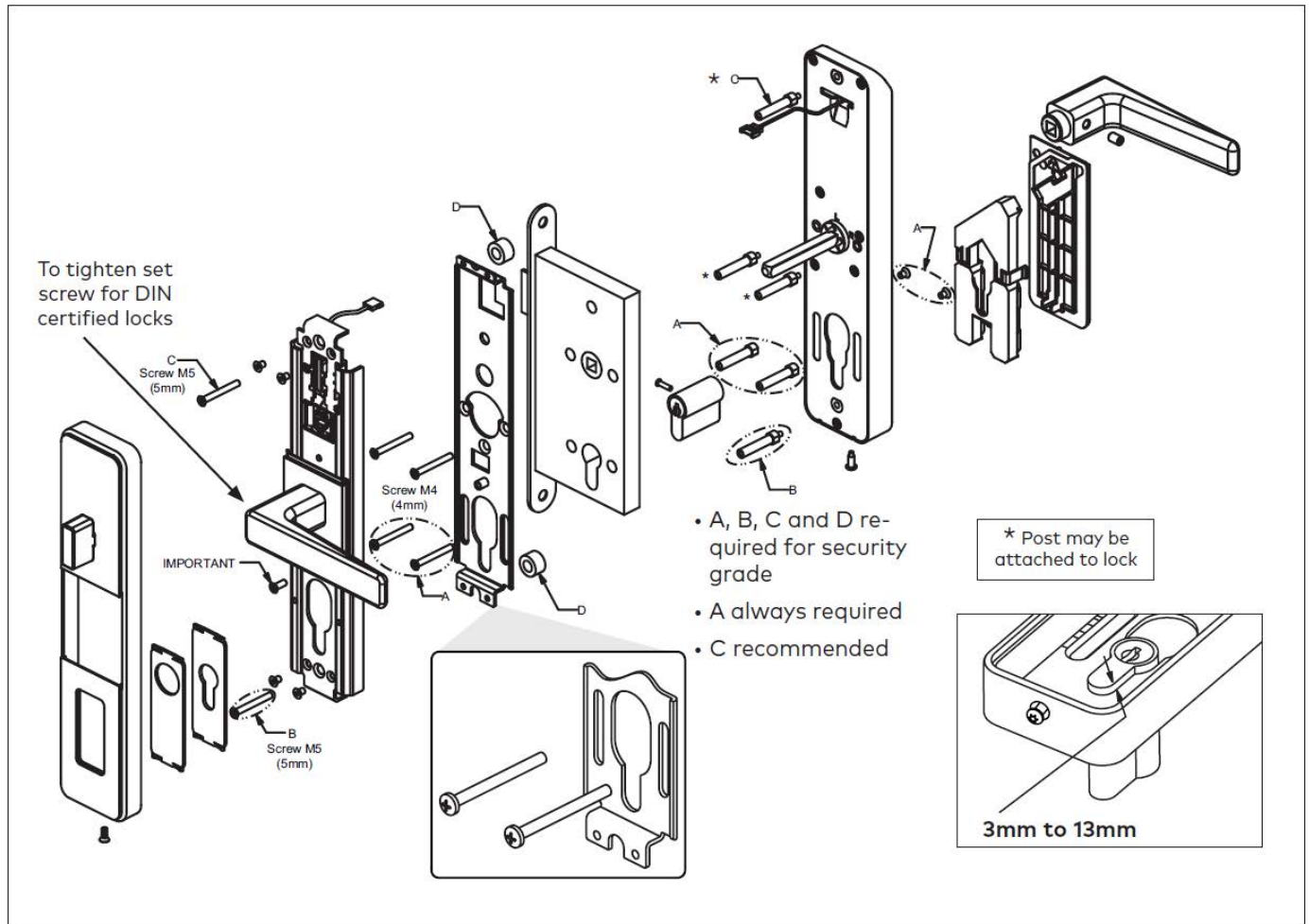
### IMPORTANT

After connecting all cables, make sure all excess cables are pushed inside the hole(s) in the door.

# Install Lock on Door

## Rose Mount (Key Override)

See Annex A for Exterior Applications



### IMPORTANT

After connecting all cables, make sure all excess cables are pushed inside the hole(s) in the door.

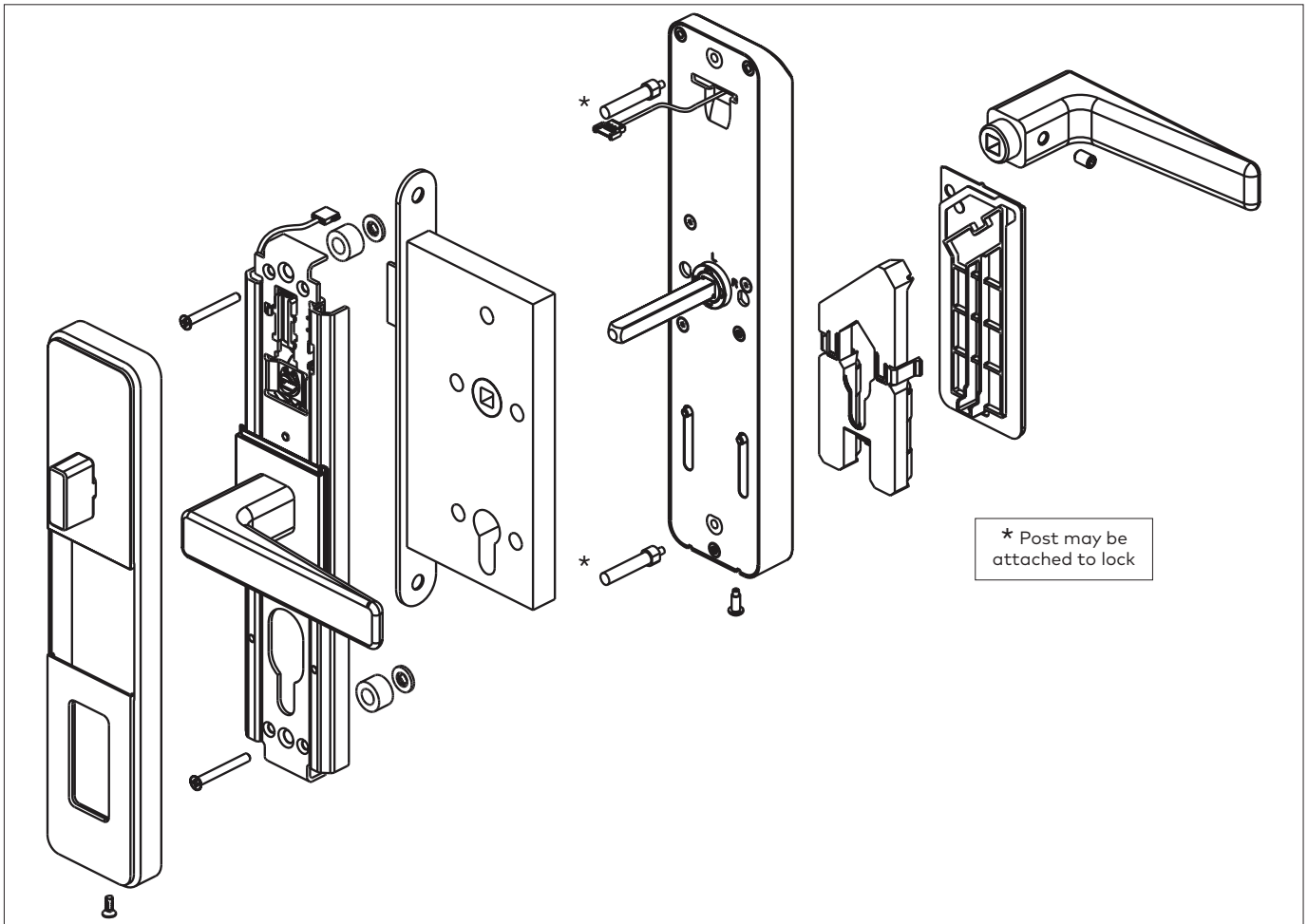
# Install Lock on Door

## Back Plate Mount (NO Key Override)

### IMPORTANT

Locks with DIN lever handle shall not be installed with back plate mount option.

See Annex A for Exterior Applications



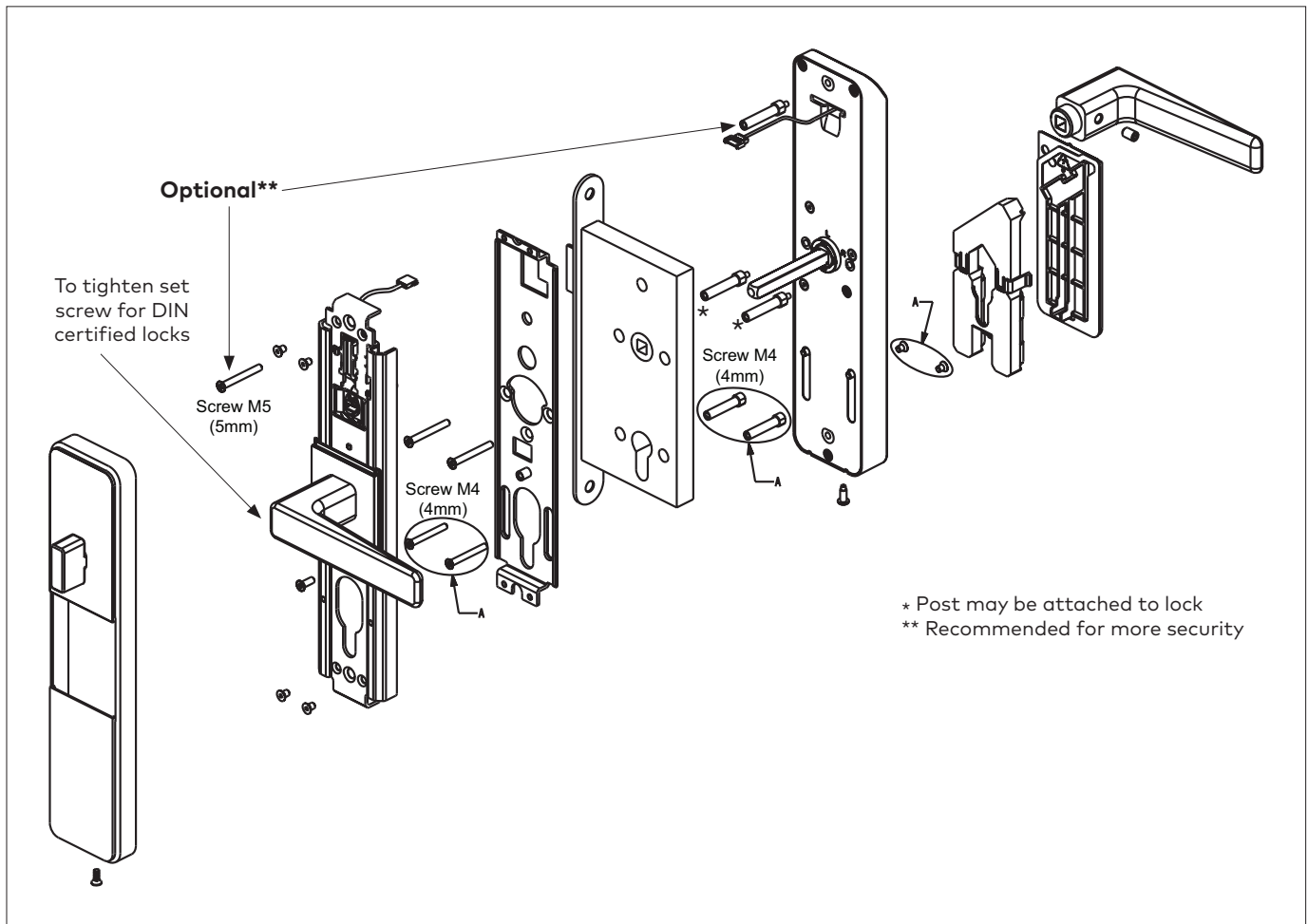
### IMPORTANT

After connecting all cables, make sure all excess cables are pushed inside the hole(s) in the door.

# Install Lock on Door

## Rose Mount (NO Key Override)

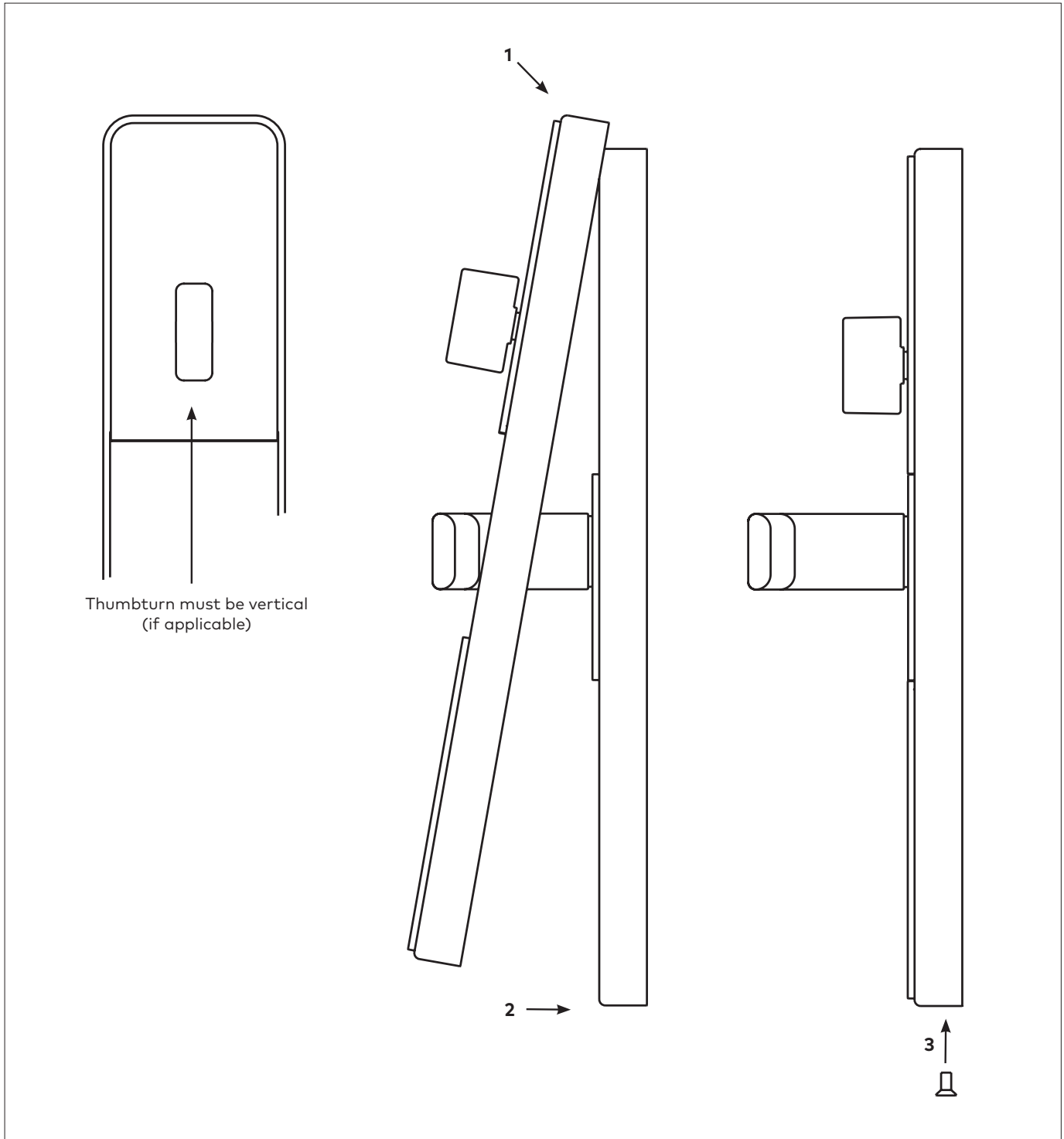
See Annex A for Exterior Applications



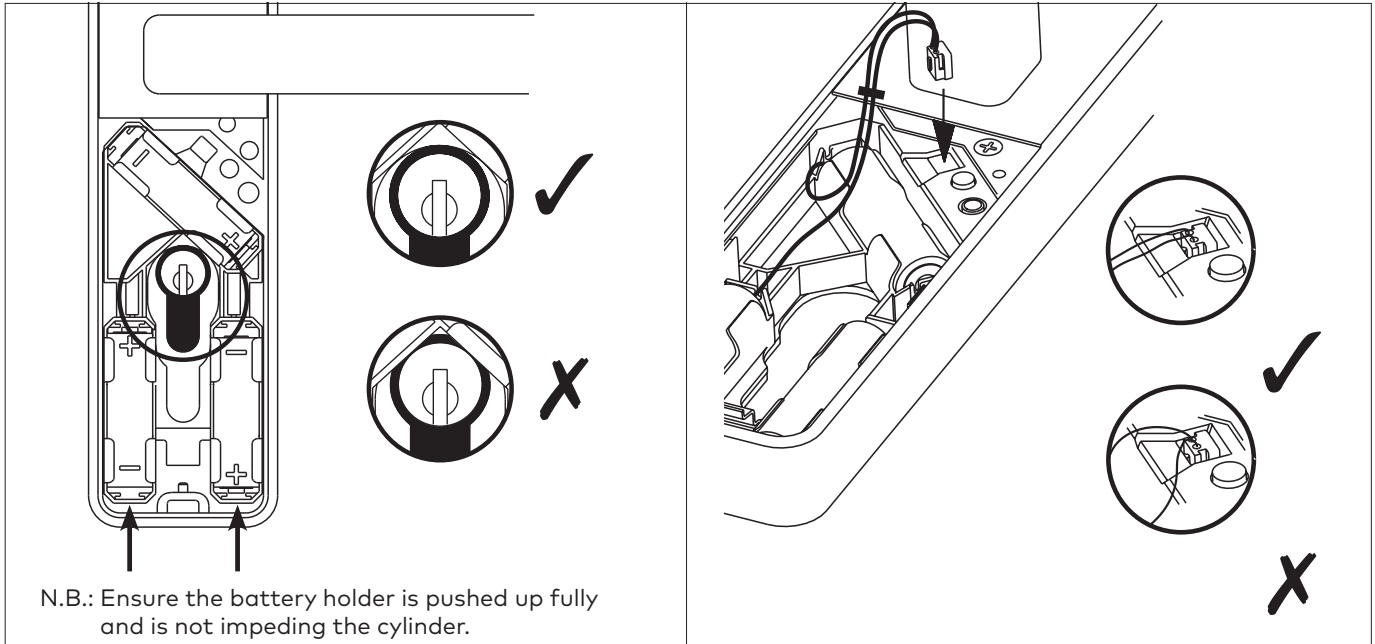
### IMPORTANT

After connecting all cables, make sure all excess cables are pushed inside the hole(s) in the door.

# Install Inside Trim Cover



# Plug Battery Holder



## Test Lock Functionality

(To be done while door is still open)

Make Sure Room Door is Open

A - Present Test Keycard

B - Check Green & Red Lights Flash

C - Rotate Outside Lever to Check Bolt Retraction

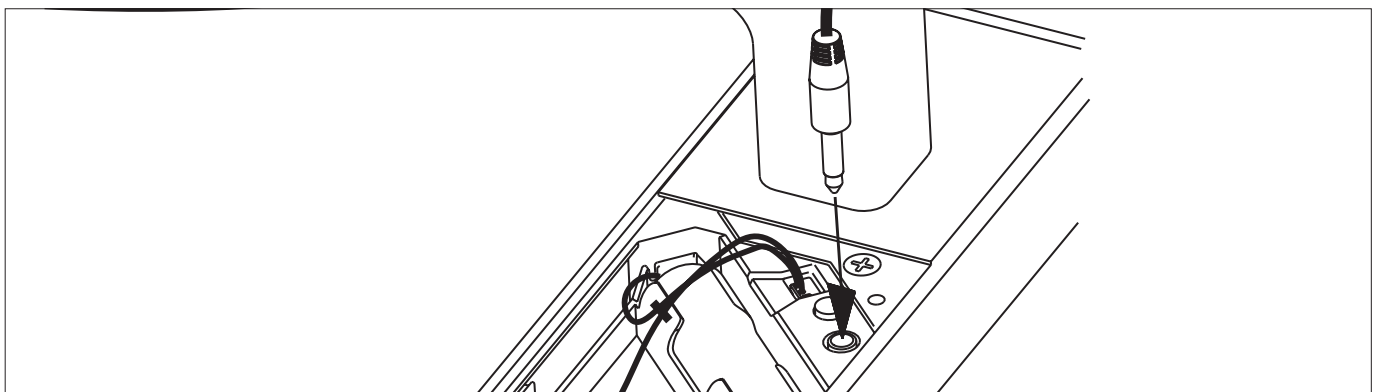
D - Release Outside Lever, Should Move Freely

E - Rotate Inside Lever to Check Bolt Retraction

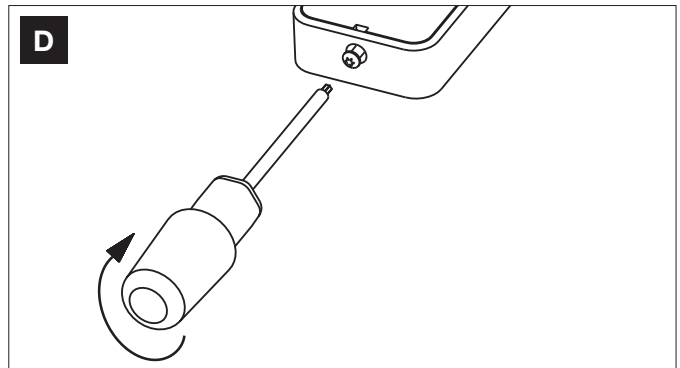
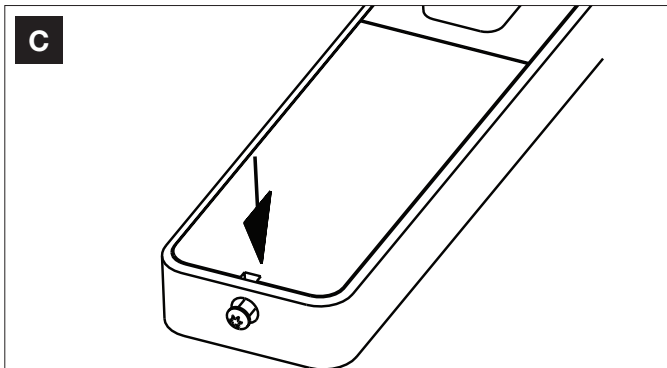
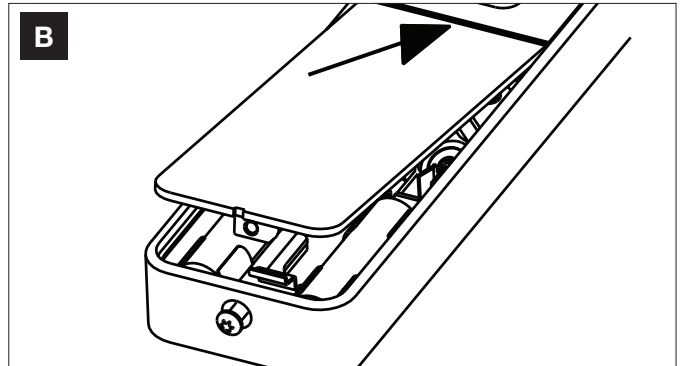
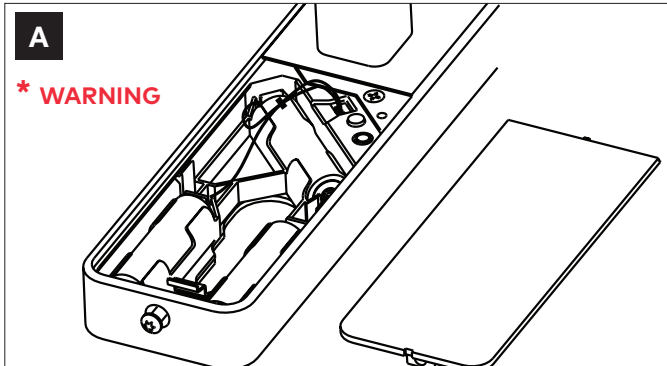
F - Check Bolt Projection from Thumbturn & Key

## Program Lock

With Jack Cable



# Install Battery Door



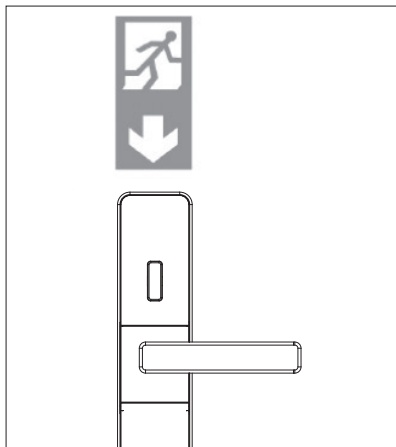
**⚠ WARNING**

For security reasons, lock must be programmed BEFORE installing the battery door. Every time the battery door is removed pass an emergency card or connect lock to Kaba handheld programming device to reset the tamper alarm. Audit information is not affected.

# Emergency Exit Device

(applicable only to lock kit 3 EN 179 certified)

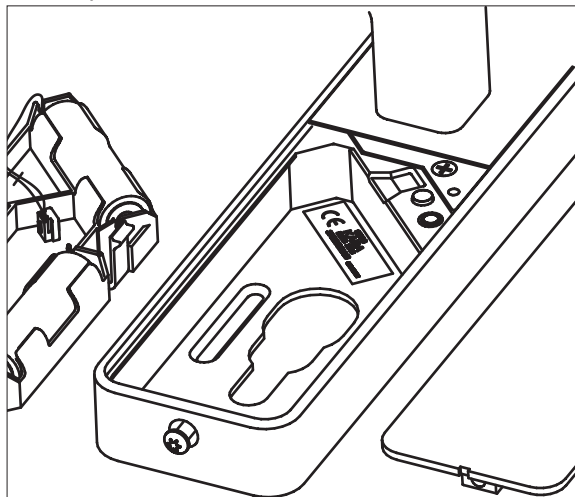
A pictogram for emergency exit device has to be installed on the door on the inner side just above the lock as shown below.



# EN 179 certificate

(applicable only to kit 3 lock certified EN 179)

The EN 179 identification label on the lock can be find in the location shown below underneath the battery holder. Refer to annex B for instructions how to remove the battery holder.



For declaration of performance, please visit [www.dormakabalodgingsupport.com](http://www.dormakabalodgingsupport.com)

# EN 12209 certificate

(applicable only to kit 3 locks with lock case 395)

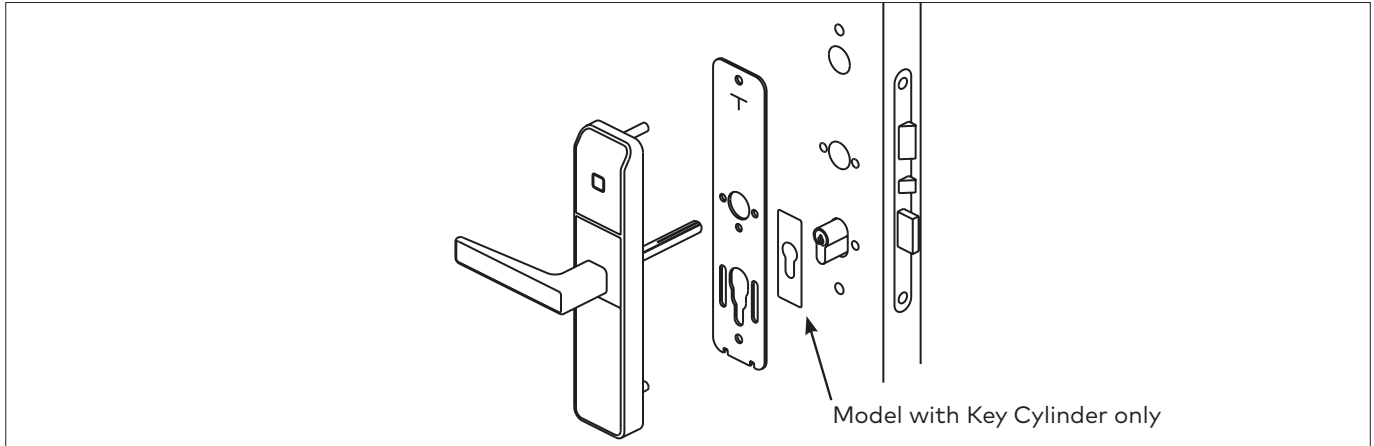
<b>CE</b> 0432 EN 179:2008 Emergency exit device Type 376B1452AD
dormakaba Canada Inc. 7301 Decarie, Montreal, QC, Canada H4P 2G7 21 0432-CPR-00026_98
Capacity to trigger: Responds ( = < 70 N without load)
Durability of capacity to trigger: Responds ( 200,000 cycles / = < 50 N without load)
Fire resistance B - Automatic closing; E - Integrity; I - Insulation: Responds (grade B)

<b>CE</b> 0432 EN 12209:2003/AC:2005 Mortise locks Type 3X810G6BC20
dormakaba Canada Inc. 7301 Decarie, Montreal, QC, Canada H4P 2G7 21 0432-CPR-00026-99

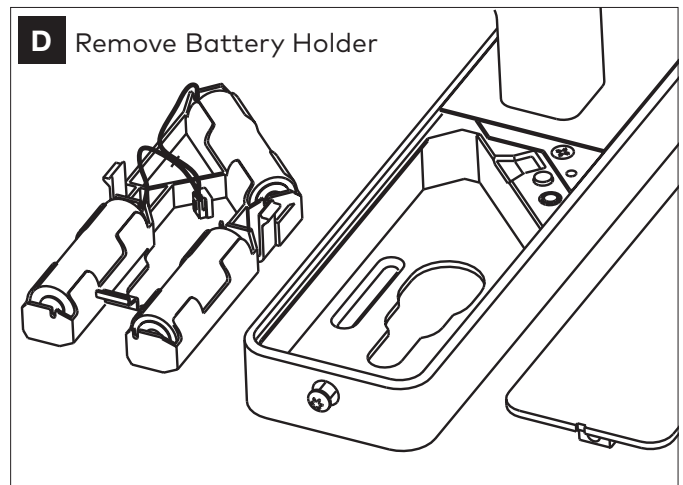
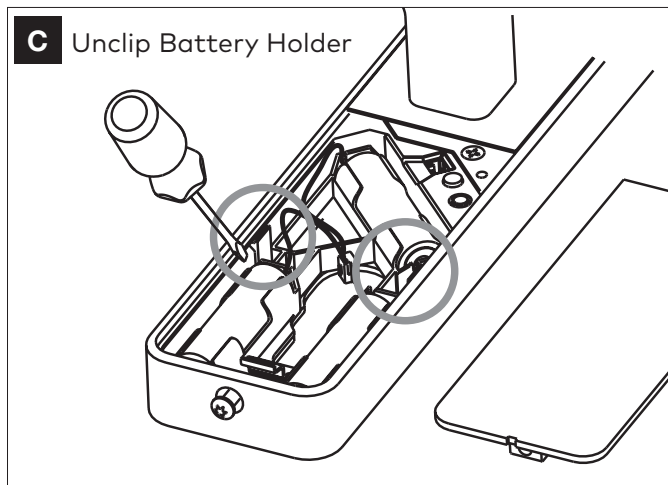
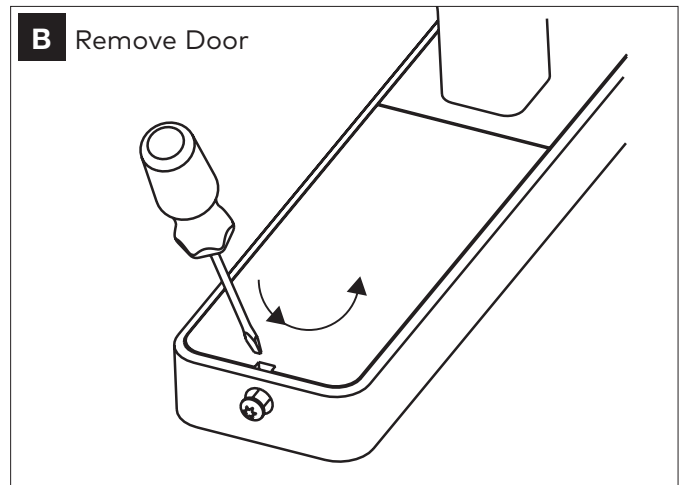
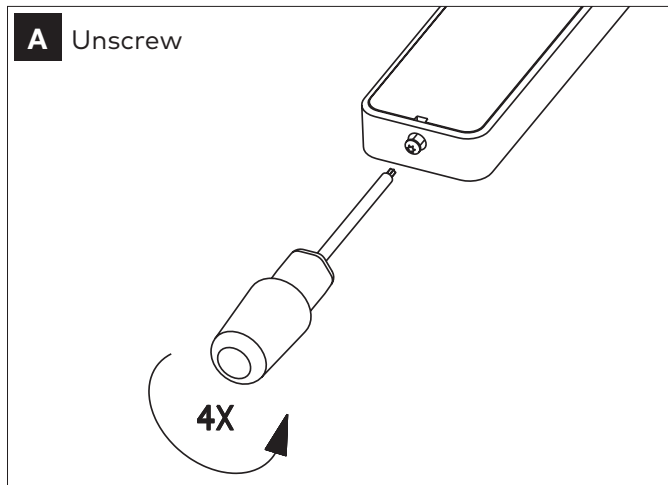


# Annex A • Install Outside Housing

with Gasket and Cylinder Shield (Exterior and Ocean Front Versions)

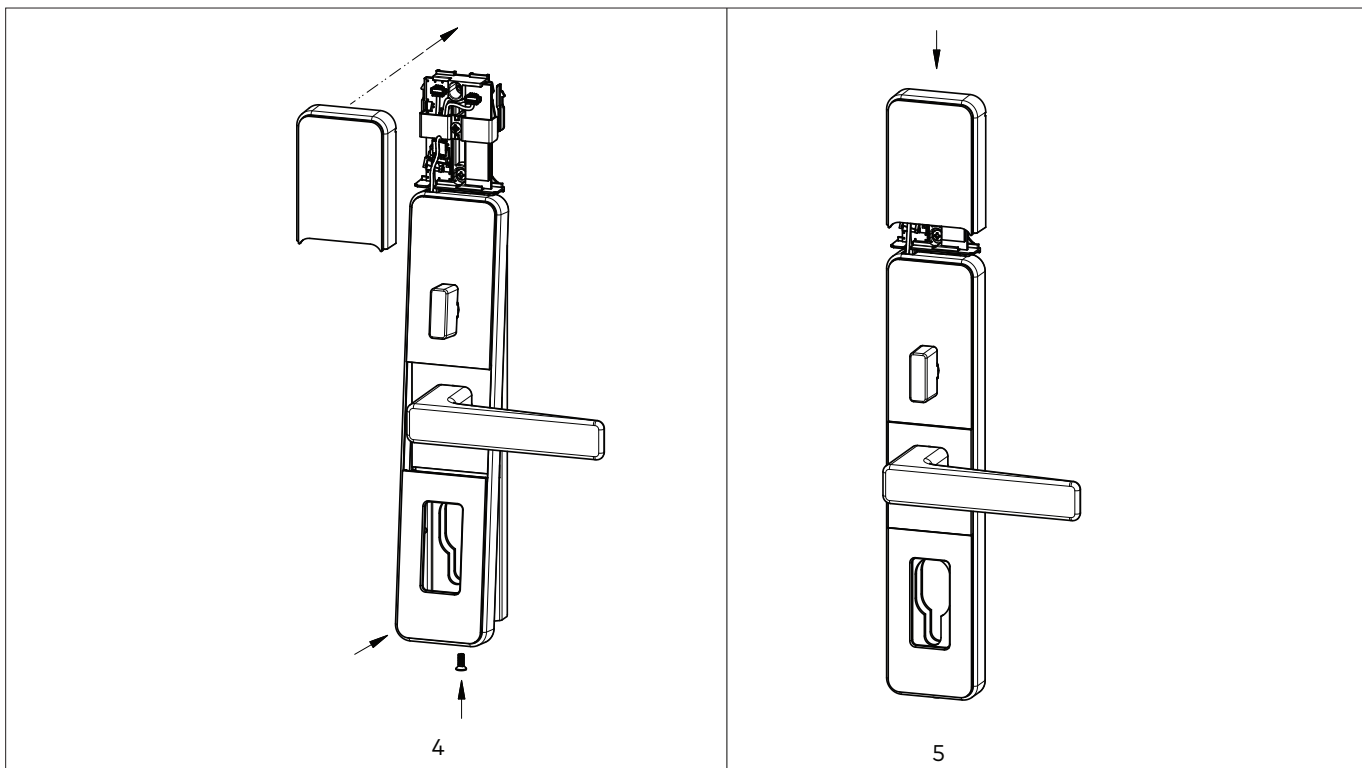
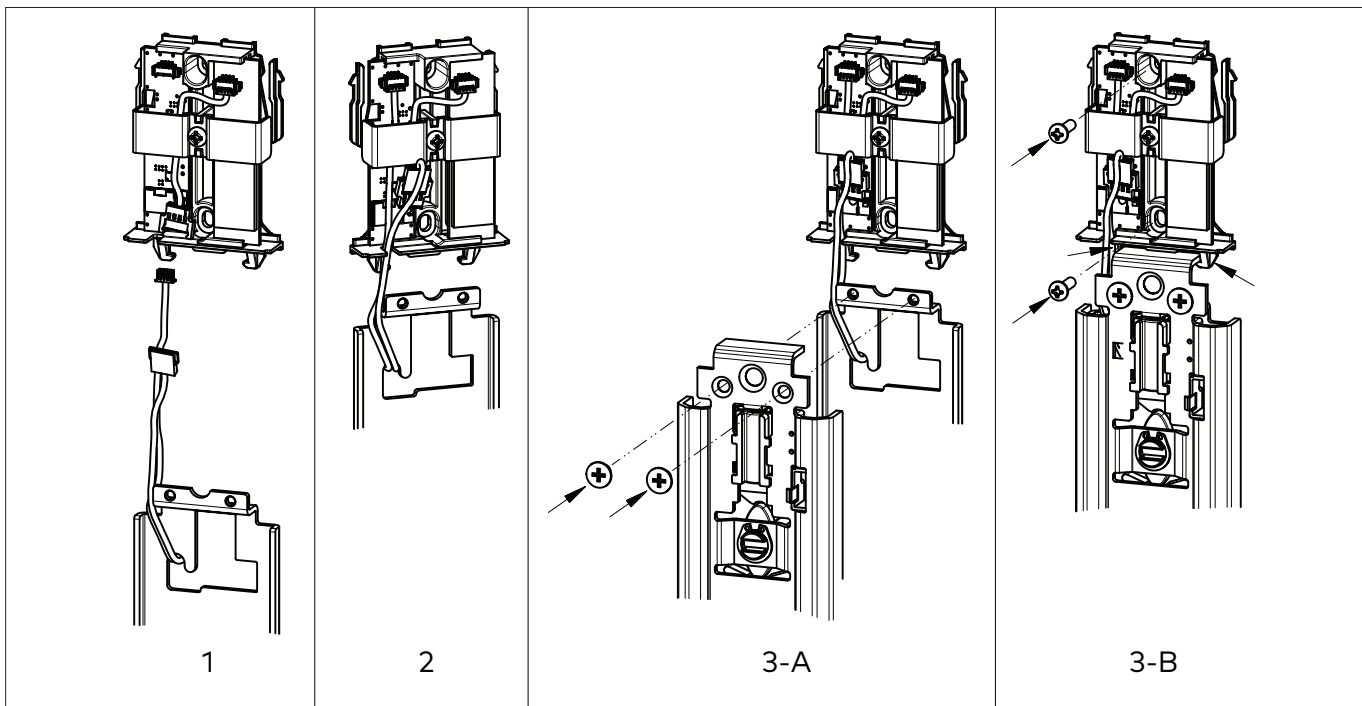


# Annex B • Remove Battery Holder



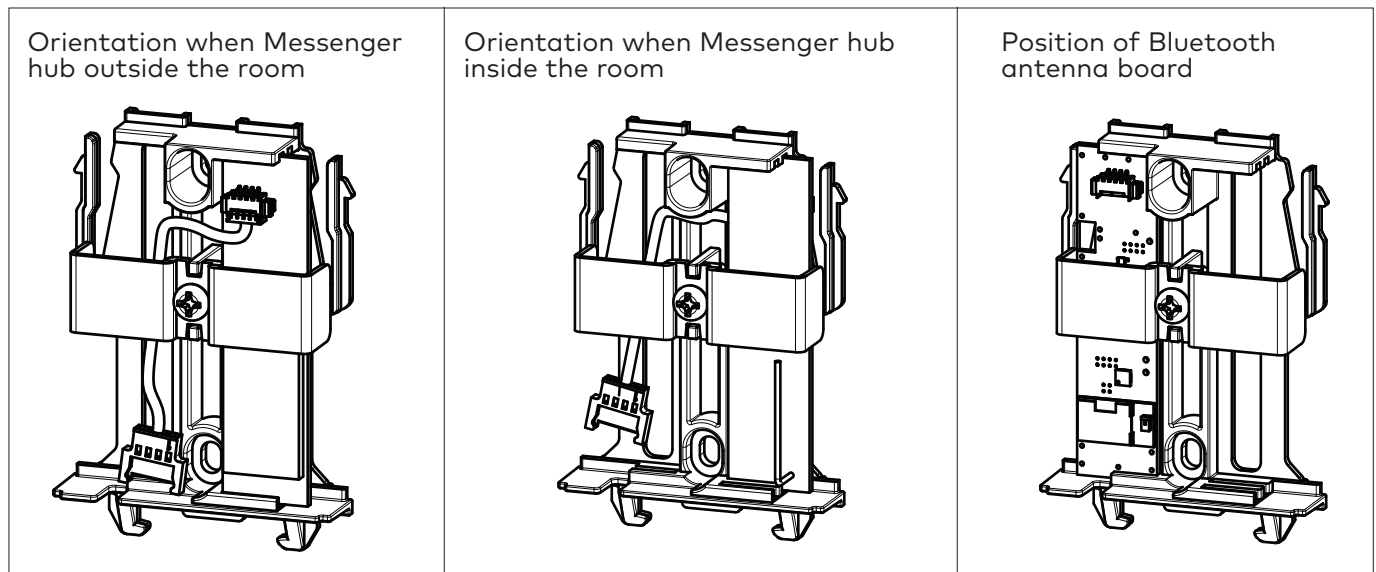
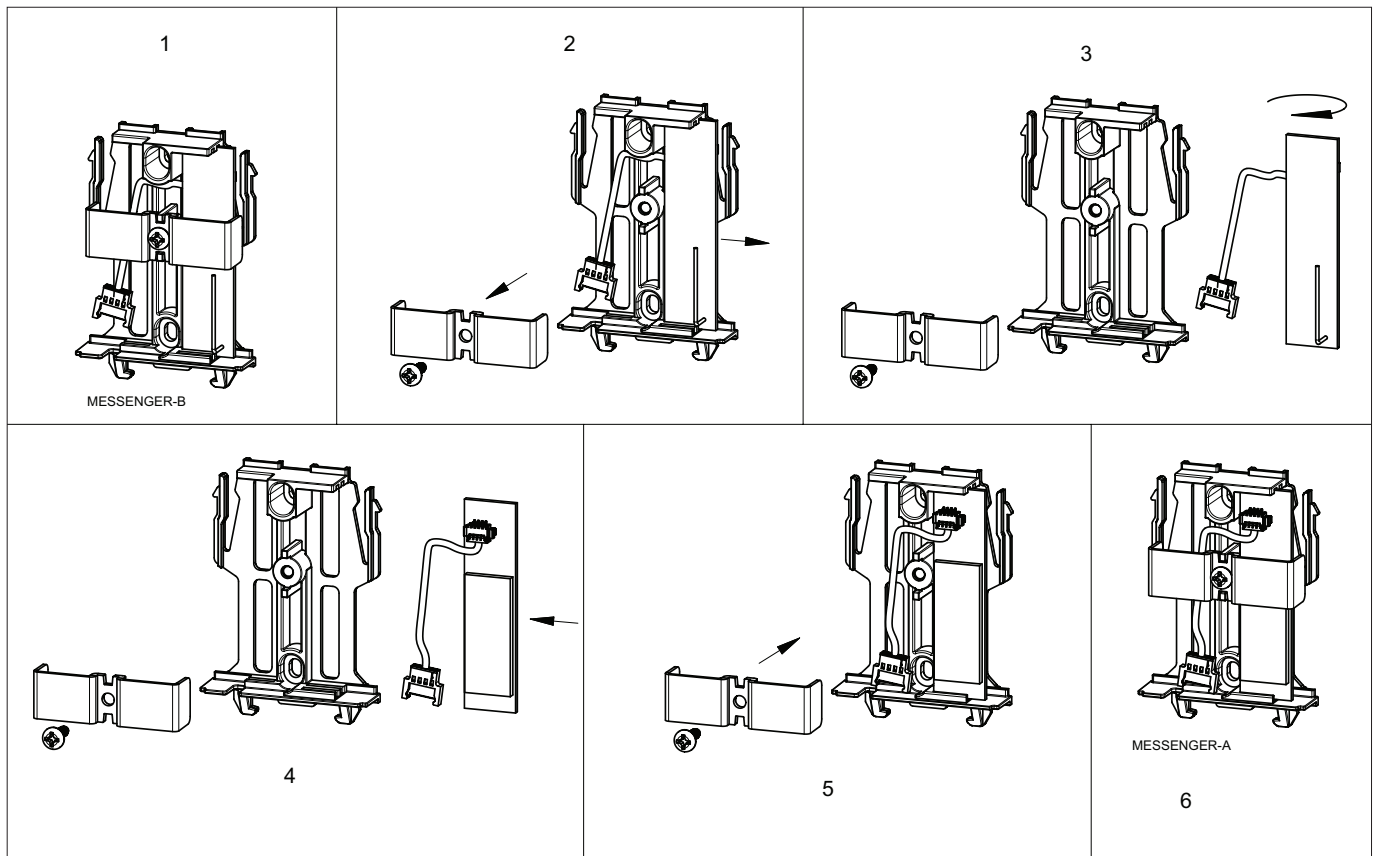
# Annex C • Install Bluetooth and Messenger module

Battery must be disconnected before adding Bluetooth and Messenger module.  
See annex D for instructions of how to remove the cover from the module.



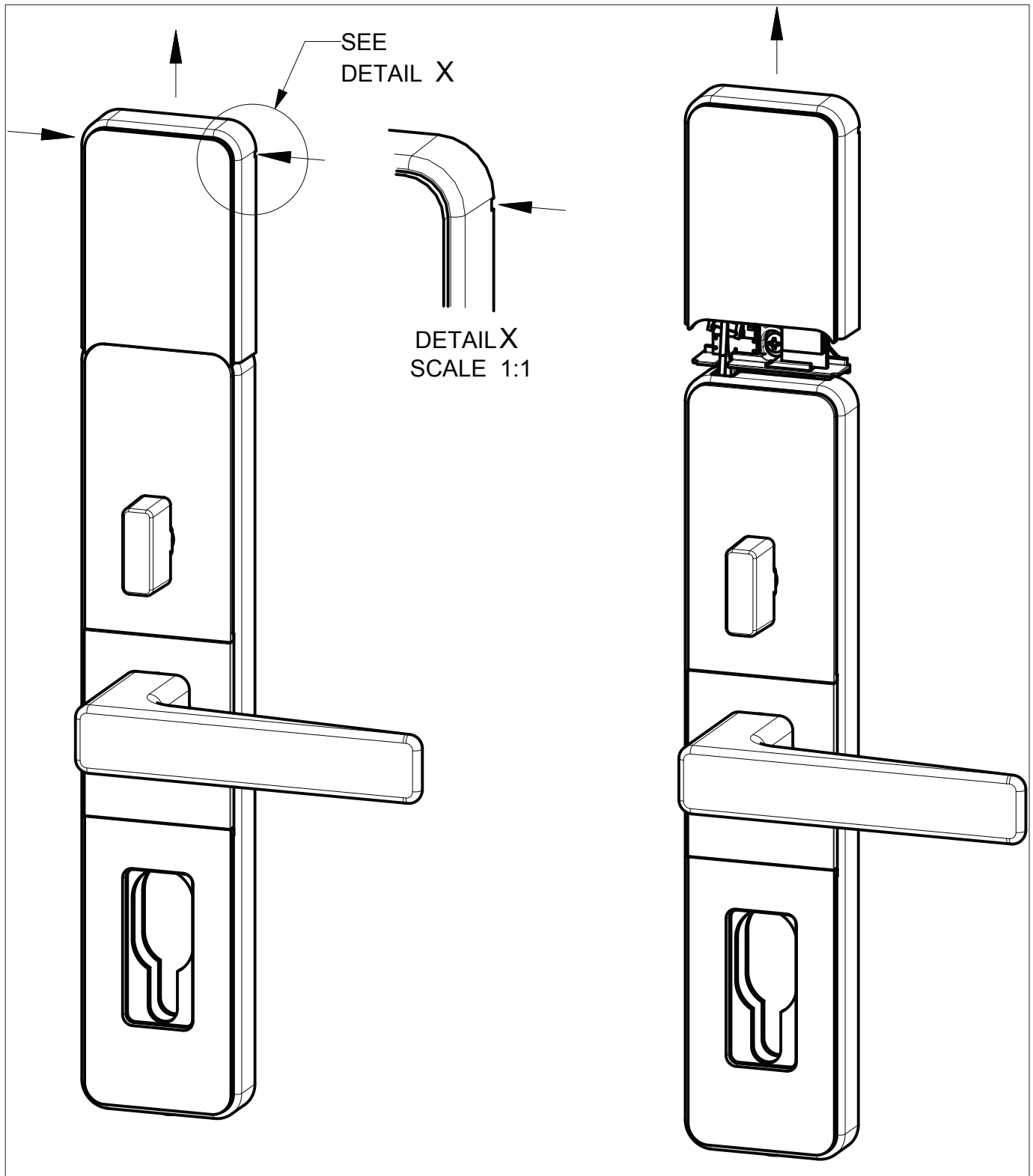
# Annex C • Install Bluetooth and Messenger module

How to change orientation of Messenger antenna board. The lock is provided with orientation of board for Messenger hub outside the room.

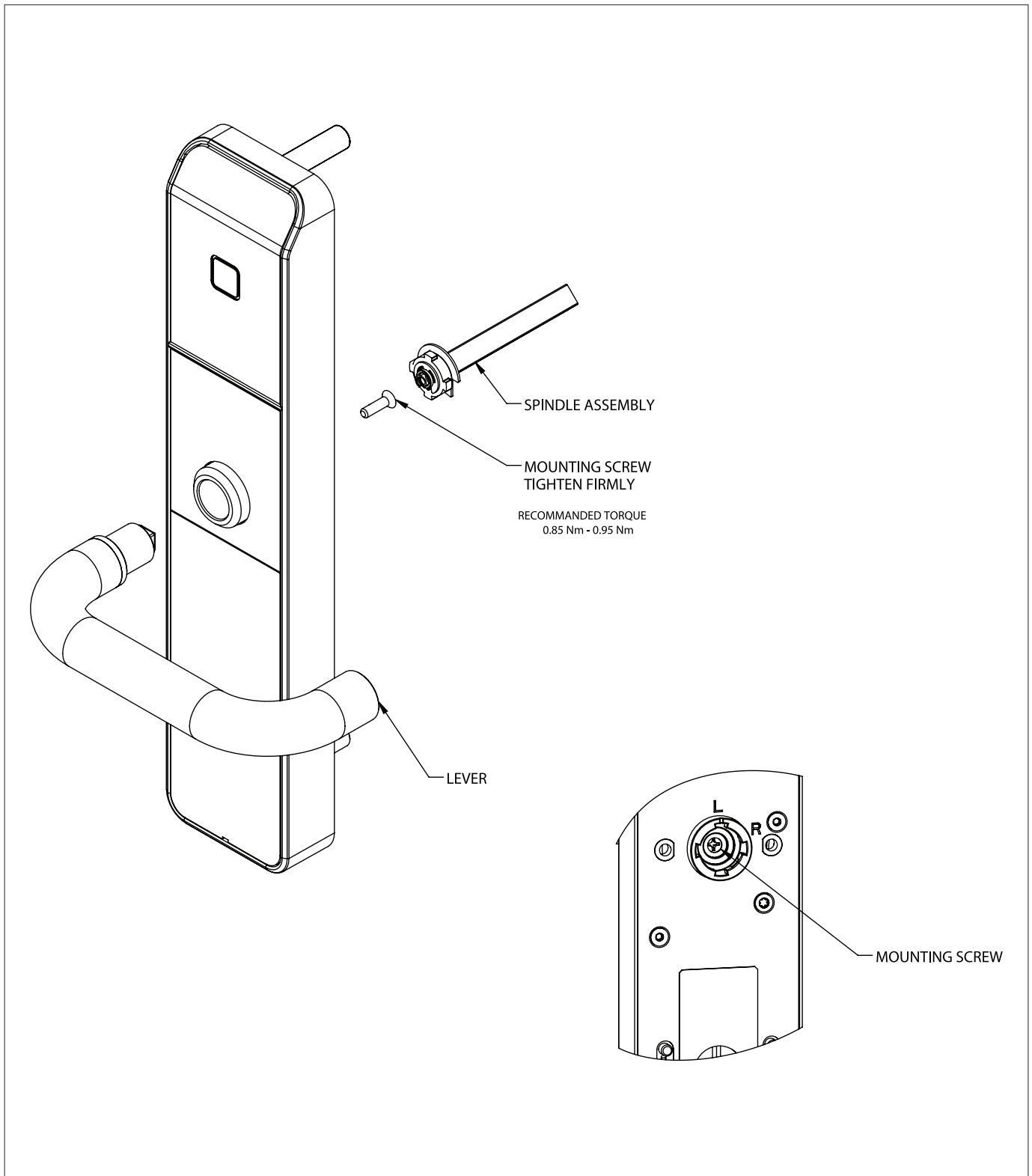


**NOTE:** Battery must be connected last, after having connected the Bluetooth and Messenger module

# Annex D • Remove cover of Bluetooth and Messenger module



# Annex E • DIN Lever Installation



dormakaba USA Inc.  
Customer Services & Support  
Toll Free: 1.800.999.6213  
International: +1 514 340 9025

General information:  
[dormakaba.us](http://dormakaba.us)  
Online consumable orders:  
[dormakabalodgingstore.com](http://dormakabalodgingstore.com)  
To access all of our easy steps, please visit  
our support website:  
[www.dormakabalodgingsupport.com](http://www.dormakabalodgingsupport.com)