

INSTALLATION GUIDE

Remote Access Controller - 660G

Table of Contents

1.0 Introduction and Disclaimers.	3
2.0 Product Description	4
2.1 Features	4
2.2 Components	4
2.2.1 Keypad readers	4
2.2.2 Controller box	4
2.2.3 Locking devices.	5
2.2.4 Other optional components.	5
3.0 Checklist and Exploded Views.	5
3.1 Parts and Tools List.	5
3.2 Exploded View	6
4.0 System Installation Overview.	7
4.1 Pre-Installation Procedures	7
Step 1: Identify secure location for the controller box	7
Step 2: Identify location(s) for the keypad reader and required peripherals	7
Step 3: Set the desired access delay.	7
Step 4: Install strain relief	7
4.2 Installation Procedures	8
Step 5: Mounting the controller box.	8
Step 6: Connect wiring	9
Step 7: Mounting & wiring keypad reader	9
Step 8: Install strain relief bushing	10
Step 9: Completing the installation	10
5.0 Settings and Operation	11
5.1 Programing with the M-Unit.	11
5.2 Testing	11
5.3 Reset to factory default	11
5.4 Power Failure	11
5.5 Loading Recomendations	11
5.6 System Deactivation	11
6.0 Annex.	12
A- Wiring Diagram	12
A- Wiring Tables	13
B- Drilling Template	14
C- Quick Troubleshooting Guide	16
1- Power	16
2- Keypad Reading.	16
3- External Inputs	16
4- Locking Device.	17
5- Programming and Auditing	17

1.0 Introduction and Disclaimers

Target Audience

Please read and follow all directions carefully. These instructions are designed for use by lock installers or anyone who is familiar with common safety practices and competent to perform the steps described herein.

For a typical installation, no professional electrician is required because the RAC 660G is a low voltage installation system.

Kaba Lodging Systems is not responsible for damage or malfunction due to incorrect installation.

Safety Procedures

Installation is to be done following standard safety procedures with adequate equipment prescribed herein and wearing adequate protection for body safety. Power is to be off during the installation process as well as for any maintenance procedures.

Technical Assistance

**For technical assistance call
1-800-906-4526**

OR

Visit the Kaba Support Website:

<http://connect.kabalodging.com>

Warnings and Cautions



Please read and follow all directions carefully.



Important: Carefully inspect windows, doorframe, door, etc. to ensure that the recommended procedures will not cause damage. Kaba Ilco's standard warranty does not cover damages caused by installation.



Important: The RAC 660G should always be installed in a secured room or facility with controlled access to prevent access to the system.



Caution: Wear safety glasses when making the holes.

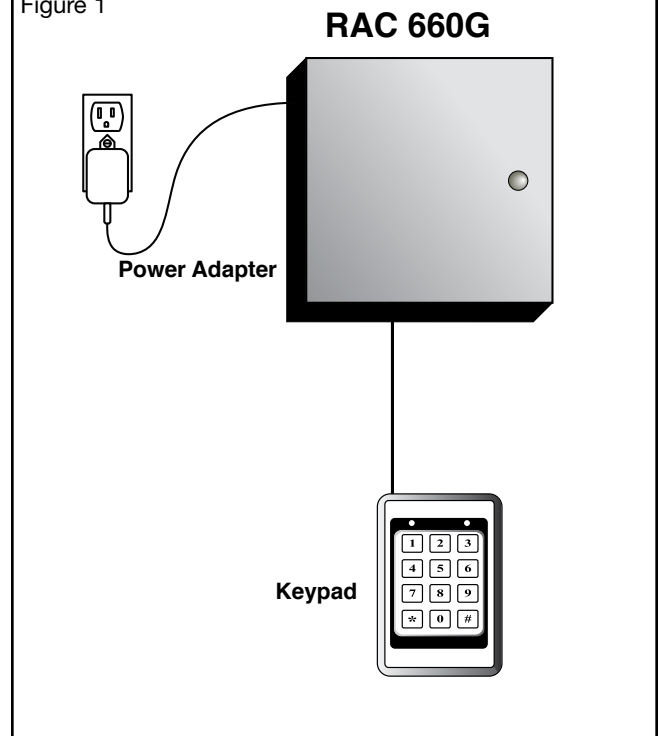
2.0 Product Description

2.1 Features

The RAC 660G is designed to operate electrical locking or control devices where a stand-alone electronic lock is not practical. The system **can control any door or access point from up to 100 feet (30 m)** away. The 2X6 Keypad can be mounted directly on doorframes, while the 3X4 Keypad is wall mounted.

The RAC 660G is a simple access control solution for 1 Keypad providing features as per the features list on page 3. See figure 1 for a typical configuration.

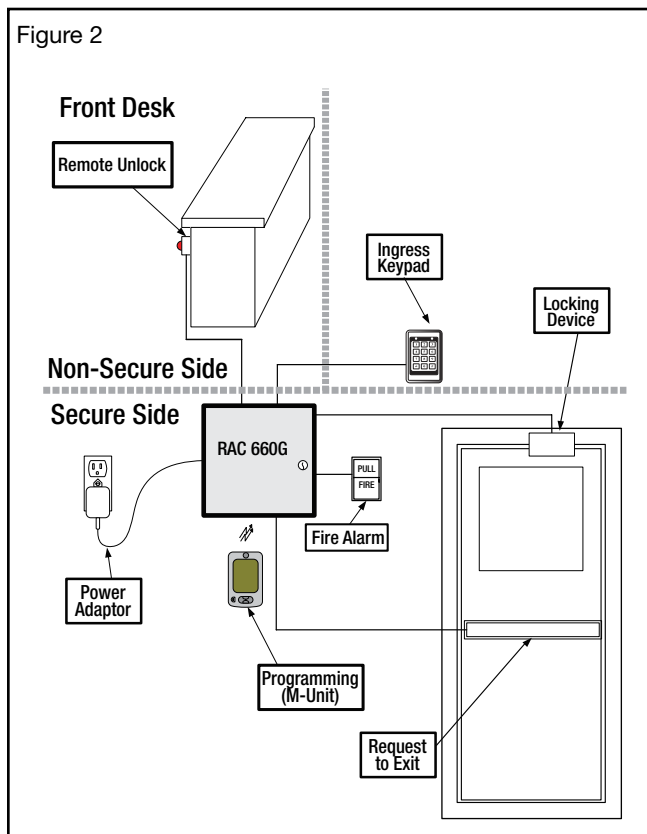
Figure 1



2.0 Product Description (Continued)

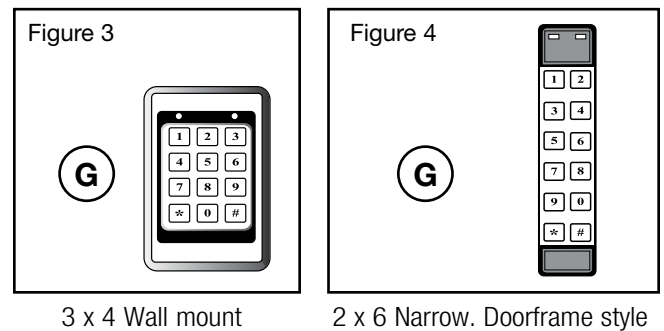
Feature List 2.1:	
Feature	RAC 660G
Variable access delay	Standard
Power failure 3-day auto-recovery; real time clock (RTC)	Standard
Infrared (IR) programming & auditing	Standard
Relay bypassing (passage function)	Standard
Keypad reader	Standard
Unlock delay programmable by Dip Switches	Standard
Fire Alarm Input	Standard
Remote Unlock input (No Audit)	Optional
Request to Exit (REX) input	Optional
Single relay output	Standard

2.2 Components



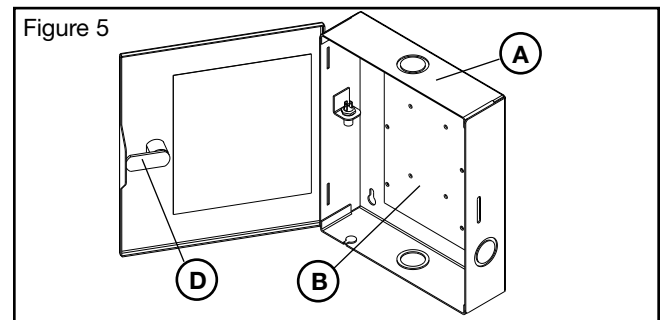
2.2.1 Keypad readers

Two types of keypads are available:



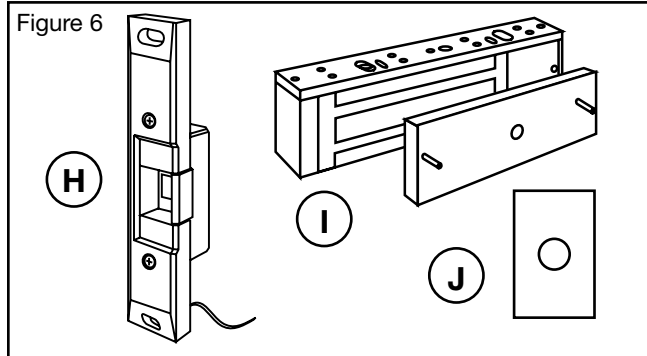
2.2.2 Controller box

- (A) Enclosure with cover; metallic frame which contains the controller board, Knockouts are available on 3 sides of the box to give a wide range of possible installation configurations.
- (B) Controller board; main board that controls all the features of the RAC 660G system.
- (D) Cam-lock with key; included to provide controlled access to the enclosure and secure locking for the system.



2.2.3 Locking devices

The RAC 660G provides one relay output that can be used to control one of the following locking devices. Either an Electric Strike (H) or an Electromagnetic Lock (I) or a Garage Door Opener (J).



2.2.4 Other optional components

The RAC 660G is a flexible Access Control Solution and can be combined with the following:

- Exit Devices
- Motion Detectors
- Panic Bars
- Request to Exit (REX) button
- Remote Unlock Button
- Key Override.

NOTE: Refer to section 4 for further installation information.

3.0 Checklist and Exploded Views

3.1 Parts and Tools List

For letter designation refer to figure 7 on following page.

Controller Box includes:

- (A) RAC 660G enclosure complete with access panel
- (B) RAC 660G controller board
- (C) Power jack cable assembly (not shown)
- (D) Cam lock

Note: All items above come factory installed.

Hardware Bag includes:

- (N) 4x Philips wood screw #8 x 1-1/4"
- (O) 4x Nylon anchor #6 – 10
- (P) 4x Concrete anchor #7 – 9
- (Q) 1x Strain relief connector with locking nut
- (R) 1x Strain relief bushing
- (S) 2x Diode-rectifier
- (T) 5x #8 steel flat washer
- (U) 3x Crimp terminal B connector

Power Adaptor includes:

- (E) 1x International 12 VDC output adaptor with integrated power cable and interchangeable AC outlet prongs.
or
- (F) 1x North American 12 VDC output adaptor with integrated power cable.

Keypad includes:

- (G) 1x keypad

Locking Device

- (H) 1x Electric strike
- (I) 1x Electromagnetic Lock
- (J) Garage opener

Programming Device

PALM (purchased separately)

Other Optional Components

- (K) REX (Request to Exit) NO or NC
- (L) Remote Unlock (Not shown) NO or NC

Mandatory tools required:

- Safety glasses
- Electric drill
- 9/64" (3.5 mm) drill bit
- 7/32" (5.6mm) drill bit
- 1/4" (6.5 mm) drill bit
- 3/8" (9.5 mm) drill bit
- Phillips screwdriver (#2)
- Slotted screwdriver tip width 3/32"
- Adjustable wrenches
- Crimp tool (18-22 AWG)
- Pliers
- Wire cutter / stripper
- Tie wraps

Optional tools:

- Hammer or rubber mallet
- Awl or center punch
- Ink marker
- Tape
- Tape measure
- Fine steel file
- Cleaning supplies (drop cloth, vacuum)

3.0 Checklist and Exploded Views (Continued)

3.2 Exploded View

Figure 7
Controller Box

Hardware Bag

- 5x T
- 4x O
- 4x
- 2x S
- 3x U
- 1x R
- 1x Q
- 4x N
- P

Keypad Ingress

- 2 x 6
- or
- 3 x 4
- G

Peripherals / Optional Devices

- H
- I
- J
- K

Power Adaptor

- North American
- F
- E
- International

4.0 System Installation Overview

NOTES:

- For Installation of the keypad readers refer to the manufactures installation instructions.
- The RAC 660G provides ingress (entry) access to locations where stand alone locking devices cannot be used.

4.1 Pre-Installation Procedures

Before starting:

- Ensure that all cabling is available for the required wiring of peripherals as indicated in the instructions supplied with each product to be connected.
- Be sure to have all tools listed on the tool list in section 3.1.
- Be sure to have every component available as ordered for the RAC 660G system being installed, refer to the parts list in section 3.1.

Step 1: Identify secure location for the controller box



Important: Access to the control panel must be restricted to authorized personnel only. (ex: service)



Important: If no AC power source is available near the desired control box location, a certified electrician must install an electrical outlet within 6 ft max of the RAC 660G system.

- If possible, the control panel should be mounted at a workable height with clearance to completely open the access panel near an unswitched AC power source.
- Make sure that the controller box can be secured to the wall or ceiling using the screws and anchors provided in the hardware bag.
- The controller box can be either placed horizontally in the ceiling or vertically on a concrete, wood, or plaster wall.
- The temperature in the chosen location must be between 32°F to 120°F (0°C to 49°C).
- The controller box must be in a location sheltered against **exterior elements, weather hazards and dripping water**.
- Do not use cord and wall outlets for mounting of the controller box. The unit must be fixed with the hardware supplied.

Step 2: Identify location(s) for the keypad reader and required peripherals



Important: All peripherals used by any RAC 660G user must be placed at standard height, prescribed by any local building legislation or regulations.

For ingress function, the keypad readers must be placed **within 100 feet (30m)** from the controller box. The keypad should be installed near the access door it controls at user's height. The location should be obvious and ergonomically efficient to any user.

Keypad:

The space to use the keypad reader must be large enough to allow adequate clearance.

Remaining peripherals:

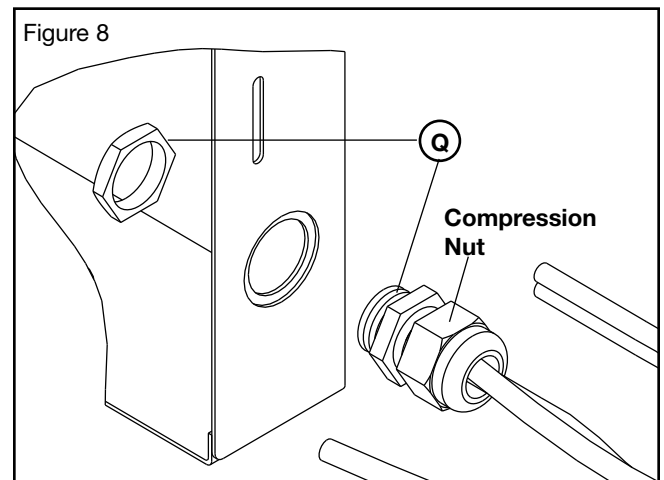
Determine the location required for any other RAC 660G system peripherals (REX button, remote unlock, etc) and ensure that all required cabling is available as needed.

Step 3: Set the desired access delay

The RAC 660G system factory default setting for the delay on access devices is 3 seconds. To change the value configure the controller board (B) dipswitch SW2 settings as per Annex A, Table 3.

Step 4: Install strain relief

One strain relief (Q) is provided in the hardware bag to secure the wires leading into the controller box and help prevent the possibility of wire tampering.



NOTE: The strain relief (Q) provided in the hardware bag has an opening diameter that is variable to allow for a variety of wires to be routed into the controller box. Do not attempt to route an excessive amount of wires. If extra strain relief(s) is required please contact Kaba.

4.0 System Installation Overview (Continued)

Determine the routing needed for the wiring of the RAC 660G peripherals (keypads, locking mechanism, etc) and as required select the knock-out(s) on the controller box to remove for installation of the strain relief(s).

To remove the selected knock-out(S), from the inner side of the controller box, use a hammer and screwdriver, and tap out the small metal disk.

Noting the amount of wires to route into the desired location, insert the strain relief and secure with the locking nut as shown in figure 8. Route all wires of the peripherals, into the controller box (A), leaving some extra length for subsequent steps. Tighten the compression nut of the strain relief (Q) and pull on the wires to ensure the desired strain relief effect is obtained.

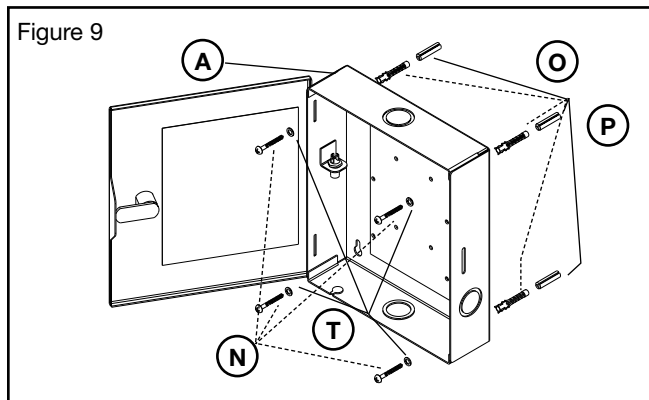


CAUTION: Do not plug power adaptor into the AC outlet before the end of installation.

4.2 Installation Procedures

Step 5: Mounting the controller box

1. With proper tools, install the control panel in the desired location, using the screws, washers and required anchors in the hardware bag.



NOTE: For easier access it is recommended to remove the access panel before installation. If needed, keep it nearby to refer to the wiring label or refer to Annex A at the end of this manual.



CAUTION: Wire routing must be according to any local building codes or legislations.

2. Two types of power adaptors are available dependant of the countries where controller box is to be installed.
 - (E) For international applications; mainly Europe, UK or Australia using 220 VAC to 240 VAC, 50-60 Hz

or

 - (F) For North American applications using 120 VAC, 60Hz



CAUTION: The following steps are to be done after the appropriate power adaptor is selected, cables routed through the strain relief bushing (R) and secured, as per to step 8.

Power adaptor (E) or (F)

1. Prior to installing the International power adaptor (E), select the appropriate AC outlet prong from the set depending on the standard AC power source inlet in the country where the controller box is being installed.
2. Fix the selected prong outlet on the International power adaptor (E).
3. **Out of the controller box**, route the wires to the AC power source and secure the wire (recommended with tie wraps).
4. **In the controller box**, plug the power adaptor (E or F) cable into the power jack cable assembly (C) mounted in the inner wall of the controller box.

Step 6: Connect wiring



CAUTION: Do not exceed the maximum cable length indicated by the manufacturer of products being connected.



CAUTION: Refer to the wiring diagram in Annex A, or refer to label located inside the enclosure's cover. Follow the applicable steps depending on what peripherals need to be installed.



IMPORTANT: All peripheral wires are to be routed through the strain relief (Q) except the power adaptor (E or F); see step 4 for more details.



IMPORTANT: For peripherals, choose the appropriate wire gauge depending on the distance between the peripheral being installed and the controller board (B). Refer to manufacturer's wire gauge installation selections. Respect all building codes and local legislation relative to the wiring required.

1. If the controller box is to be interfaced to a fire alarm panel, remove the jumper wire connected between pins 3 and 4 of J18 on the controller board (B) and complete the fire panel installation as desired.
2. If a request exit (REX) button (K) is being used, mount the button at the desired location and run a 2-conductor cable from the control panel to the REX button location. Connect as per Annex A, Table 1.

NOTE: Refer to manufacturer's wire gauge installation selections.

NOTE: A motion detector may also be used for request exit. If this is required, use the same connection instructions as indicated above.

3. If a remote unlock button (L) is being used, mount the button at the desired location and run a 2-conductor cable from the controller board (B) to the remote unlock button location. Connect as per Annex A, Table 1.

NOTE: Refer to manufacturer's wire gauge installation selections.

4. Install a 2-conductor cable from the control panel to the location of the electric strike (H) or electromagnetic lock (I). Connect as per Annex A, Table 1.

NOTE: Refer to manufacturer's wire gauge installation selections.

5. Install the diode across the terminals of the electromagnetic lock (I) or, using the crimp terminal B connectors (U) provided in the hardware bag, install the diode across the two wires of the electric strike (H). Do not reverse the diode polarity, as indicated on the wiring diagram in Annex A.



CAUTION: Diode must not be in contact with electromagnetic lock (I) or electric strike (H), or a short could be created. Diode ends might need to be cut shorter.

NOTE: This step is not necessary if installing Rutherford Controls 83xx series electromagnetic lock.

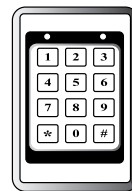
6. Following local building code requirements, mount the electric strike (H) or electromagnetic lock (I) in the desired location and connect as per manufacturer's instructions. For connections into the controller box, connect as per Annex A, table 1.

Step 7: Mounting and wiring keypad readers

NOTE: All keypad readers must be installed on a flat surface.

One Ingress keypad reader can be installed with the RAC 4.

Figure 10



3 x 4 Wall mount

or



2 x 6 Narrow

4.0 System Installation Overview (Continued)

Mounting Keypad Reader



IMPORTANT: The installation bag supplied with the keypad reader includes screws for metal panel installation or insert and wood screws for drywall installation. Use the relevant screws according to which surface the keypad reader will be installed on.

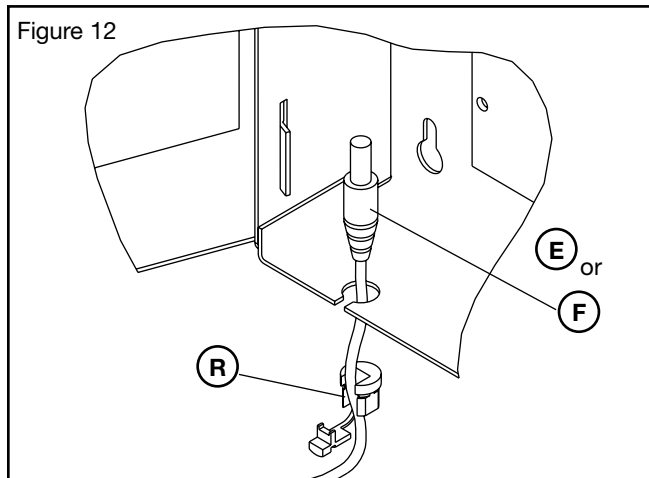


IMPORTANT: Refer to drilling template in Annex C to select the drill size of the mounting holes for the keypad reader.

1. To install the keypad reader (G) in the desired location, use the template Annex C to mark the holes for the cable and screws.
2. Wearing safety glasses, drill the holes in the wall according to the diameters indicated in the drilling template dependent on the type of surface the keypad reader is installed on.
3. Connect the cable from the keypad reader (G) to the terminal blocks on the controller board (B) as per Annex A, Table 1.
4. Caution with keypad side table 5 or 12 volts. A jumper plug is installed on one of the pins. This is the default setting for 12 volt operation. Incorrect voltage selectable may cause damage refer to manufacturers specification document provided with reader.

Step 8: Install strain relief bushing (for power adaptor only)

One strain relief bushing (R) is provided in the hardware bag to secure the power adaptor (E or F) cable leading into the controller box to help prevent the possibility of wire tampering.



NOTE: The strain relief bushing (R) provided in the hardware bag has a movable attached plug. When the plug is removed, it leaves an opening that allows a double wire flat cable to be routed in.

Determine the routing needed for the wiring of the power adaptor (E or F) from AC power source to the controller box. Remove the keyhole knock-out, on the upper contour of the controller box.

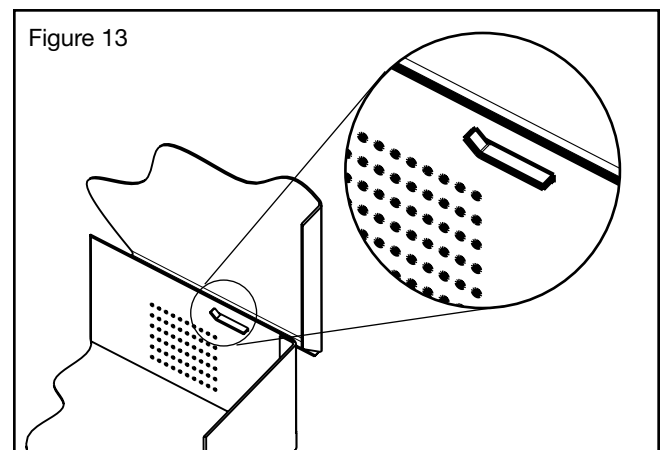
To remove the knock-out, from the inner side of the controller box, use a hammer and screwdriver, and tap out the small metal disk.

Remove the movable plug from strain relief bushing (R), route the power adaptor (E or F) flat cable in. Leave a cable length long enough in the controller box to plug the power adaptor (E or F) cable into the power jack cable assembly (C) mounted in the inner wall of the controller box. To obtain the desired strain relief effect, firmly close the plug of the strain relief bushing (R) onto the flat cable.

Route the cable of the power adaptor (E or F) in the knock-out slot of the controller box. Insert the strain relief bushing (R) as per figure 12. The access panel of the controller box can now be closed

Step 9: Completing the installation

1. If the panel door was removed, reinstall the door on the RAC 4 enclosure
2. Bend the two tabs of the panel door with pliers to a maximum of 30 degrees as shown in Figure 13.



3. Plug the power adaptor into the AC power source.

5.0 Setting and Operation

5.1 Testing

1. If not already done, connect the AC power adaptor, and / or turn on the AC current.
2. Verify that the Power Status LED on the panel is On.
3. Verify that the D43 LED on the controller board (C) blink continuously.
4. Activate the Bypass switch, SW3 on the controller board (C).
5. Verify that the locking device is activated.

NOTE: If the locking device is not activated, verify that the Fire Alarm input is properly connected, or a jumper wire is connected.

6. De-activate the bypass switch, SW3 on the controller board (C).
7. To test the keypad reader enter a valid code. Verify that the door unlocks. The unlock time will correspond to the delay set by the DIP switches as per Annex A, Table 4.
8. If a REX button is connected, press it and verify that the door unlocks.
9. If a Remote Unlock button is connected, press it and verify that the door unlocks.
10. If the 660G is connected to a fire panel and the electromagnetic lock powered by the 12 VDC output of the 660G, verify that the electromagnetic lock or a fail-safe electric strike is deactivated when the fire alarm is active (open input).
11. The 660G is now ready to be Programmed.

5.2 Programming using an M-Unit

The controller can be programmed directly on the PCB via a PALM.

Steps to program the RAC with PALM:

1. For step by step programming instructions, refer to www.kaba-ecode.com on line help getting started and maintenance unit.
2. Set the dip switch SW2 bank (OFF,OFF,OFF,OFF) refer to Access Delay Table SW2, Table 3, Annex A.
3. Toggle any one of the Four SW2 switches to ON. LED D45 should blink to indicate that the 660G is ready to communicate, LED D41 should be on.
4. On the PALM open the Oracode application software, select Door List, choose your door.
5. Hold the PALM in close proximity to D12 located near SW2 and tap "Program" on the PALM. When complete LED D41 should be on.

5.3 Reset to Factory Default

In the event the Door or Site ID of the premise is changed or a problem is suspected with the current configuration, the 660G will reset to default.

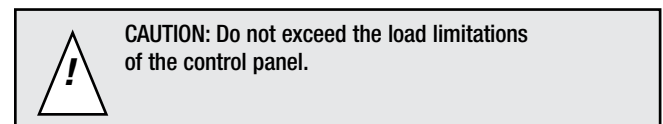
1. Note down the current DIP switch bank SW2 settings on the controller board (C) as this is the current delay setting for the peripherals used.
2. Set the switches on DIP switch bank SW2 on the controller board (C) to CFG #16 (OFF, OFF, OFF, OFF) as per Annex A, Table 4.
3. Verify that the initialization LED (D41) is OFF.
4. 660G is ready to be programmed. Refer to steps How to program the RAC 5.2.
5. Set the DIP switch positions back to the chosen access delay settings as noted above, or reset based on values shown in Annex A, Table 3.

5.4 Power Failure

In the event of an electrical failure, the system will recover automatically and should require no additional programming if the electrical power is restored within 3 days.

When electrical power is restored after a power failure, verify that a valid code is accepted normally with a single flash of the green LED on the keypad. If the green LED blinks twice, or if the code is refused, the 660G needs to be re-programmed (See section 5.2).

5.5 Loading Recommendations



The maximum recommended load for all output relays in the keypad reader control panel is 1 Amp at 30 VDC. The current supplied by the controller board (B) for the locking device used is 0.75 Amps from connector J18, pin 1. Refer to Annex A, Table 1.

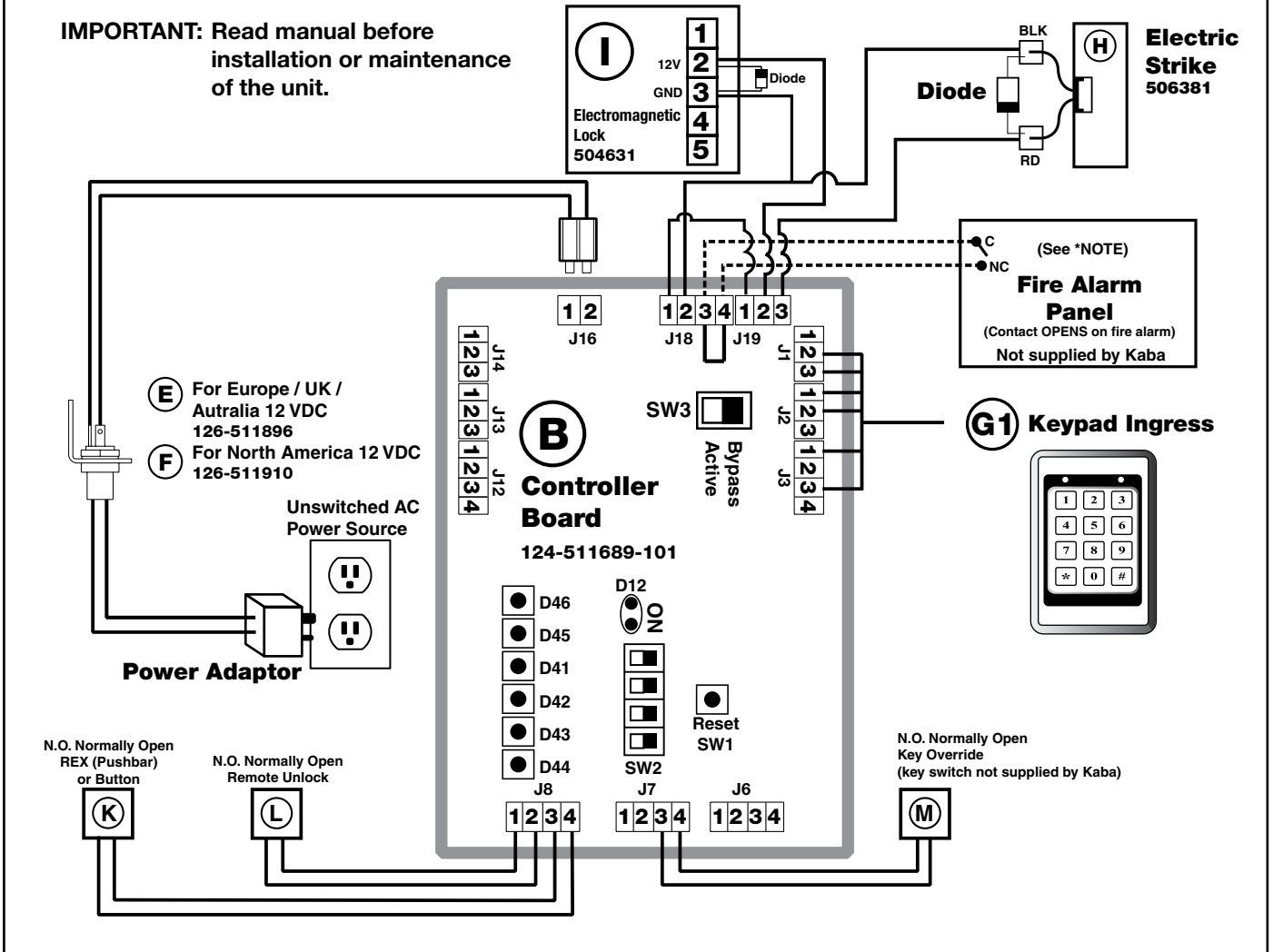
5.6 System Deactivation

In order to deactivate the keypad reader control panel, disconnect the AC power either by removing the power adaptor from the wall outlet, or by shutting off the main breaker switch for the AC line to the wall outlet the control panel is connected to.

6.0 Annex A Wiring Diagram and Tables

Remote Access Controller - 660G

IMPORTANT: Read manual before installation or maintenance of the unit.



6.0 Annex A Wiring Tables

Table 1

Controller Board (B) to Peripherals Connections (E), (F), (G1), (H), (I), (J), (K), (L), (M)							
Description	Controller	ID	Wire Color	Description	Controller	ID	Wire Color
* G1 Keypad Ingress	J1-1	5V	NO WIRE	Fire Alarm (H) Strike or (I) Maglock	J18-1	12V LCK	-
	J1-2	GND	BLACK		J18-2	GND	-
	J1-3	12V	RED		J18-3	FIRE ALM	BLACK
	J2-1	1 (Data 0)	GREEN		J18-4	GND	BLACK
	J2-2	2 (Data 1)	WHITE	(H) Strike or (I) Maglock	J19-1	COM	-
	J2-3	3	NO WIRE		J19-2	NC	-
	J3-1	1 (Green LED)	BROWN	(J) Garage Opener	J19-3	NO	-
	J3-2	2	NO WIRE	(E) Power or (F) Adaptor	J16-1	12V	RED
	J3-3	3 (Red LED)	YELLOW		J16-2	GND	BLACK
	J3-4	4	NO WIRE	(M) Key Override	J7-3	NO	-
(L) Remote Unlock	J8-1	REM UNL	-		J7-4	GND	-
	J8-2	GND	-				
(K) REX	J8-3	REX	-				
	J8-4	GND	-				

Note: Connections required are dependant on system options purchased.

Note: Part numbers indicated subject to change. Please refer to ordering guide for current numbering.

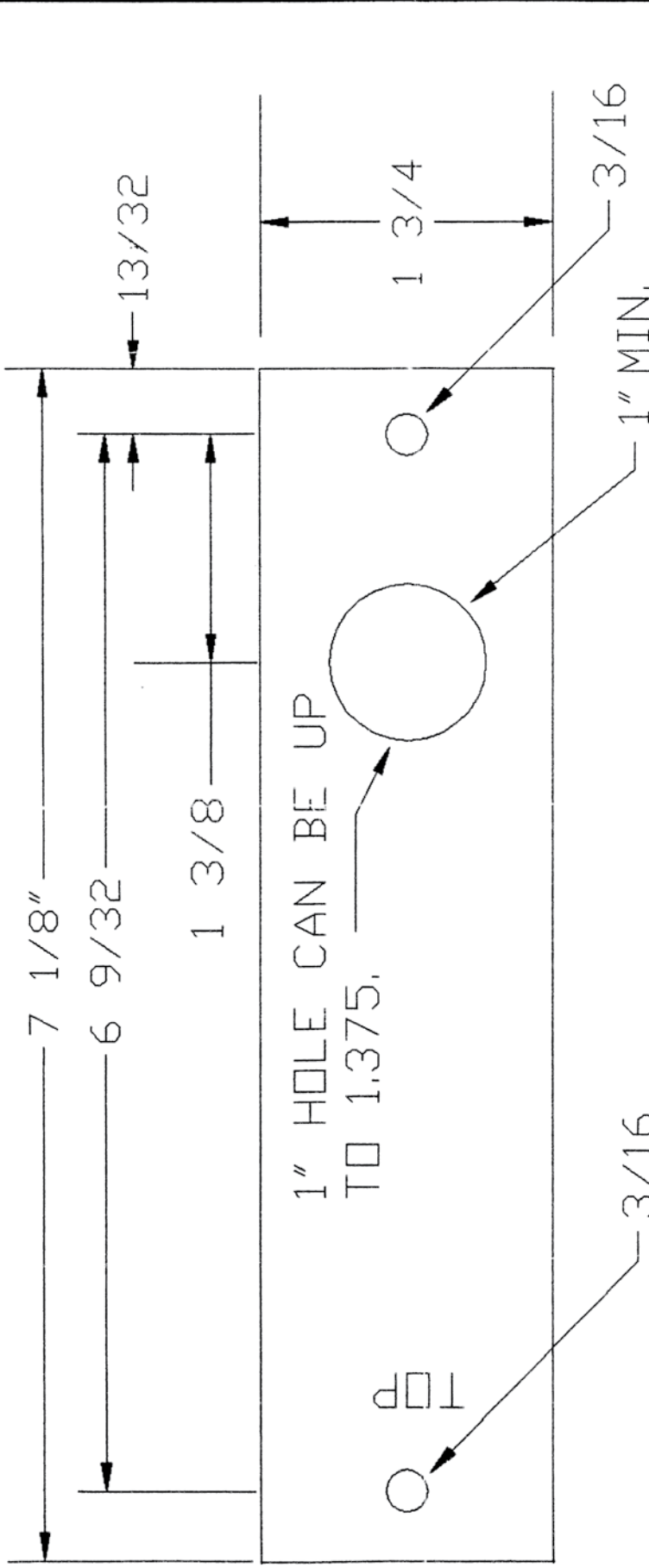
Table 2

PCB Status LED's	
LED	Description
D46	Keypad RED LED
D45	Keypad GREEN LED
D41	Initialization
D42	Not Used
D43	Normal Operation Blinking
D44	Relay 0

Table 3

Access Delay Table - SW2 on Controller Board					
CFG#	1	2	3	4	SEC
1	ON	ON	ON	ON	8
2	OFF	ON	ON	ON	1
3	ON	OFF	ON	ON	3
4	OFF	OFF	ON	ON	5
5	ON	ON	OFF	ON	10
6	OFF	ON	OFF	ON	15
7	ON	OFF	OFF	ON	20
8	OFF	OFF	OFF	ON	25
9	ON	ON	ON	OFF	30
10	OFF	ON	ON	OFF	35
11	ON	OFF	ON	OFF	40
12	OFF	OFF	ON	OFF	50
13	ON	ON	OFF	OFF	60
14	OFF	ON	OFF	OFF	90
15	ON	OFF	OFF	OFF	120
16	OFF	OFF	OFF	OFF	RE-INIT

DWG. NO.	RTL01	
REV DATE	REVISION RECORD	APPD
12/94	NEW RELEASE	J.C.E.
9/98	CHANGE HOLE SIZE	

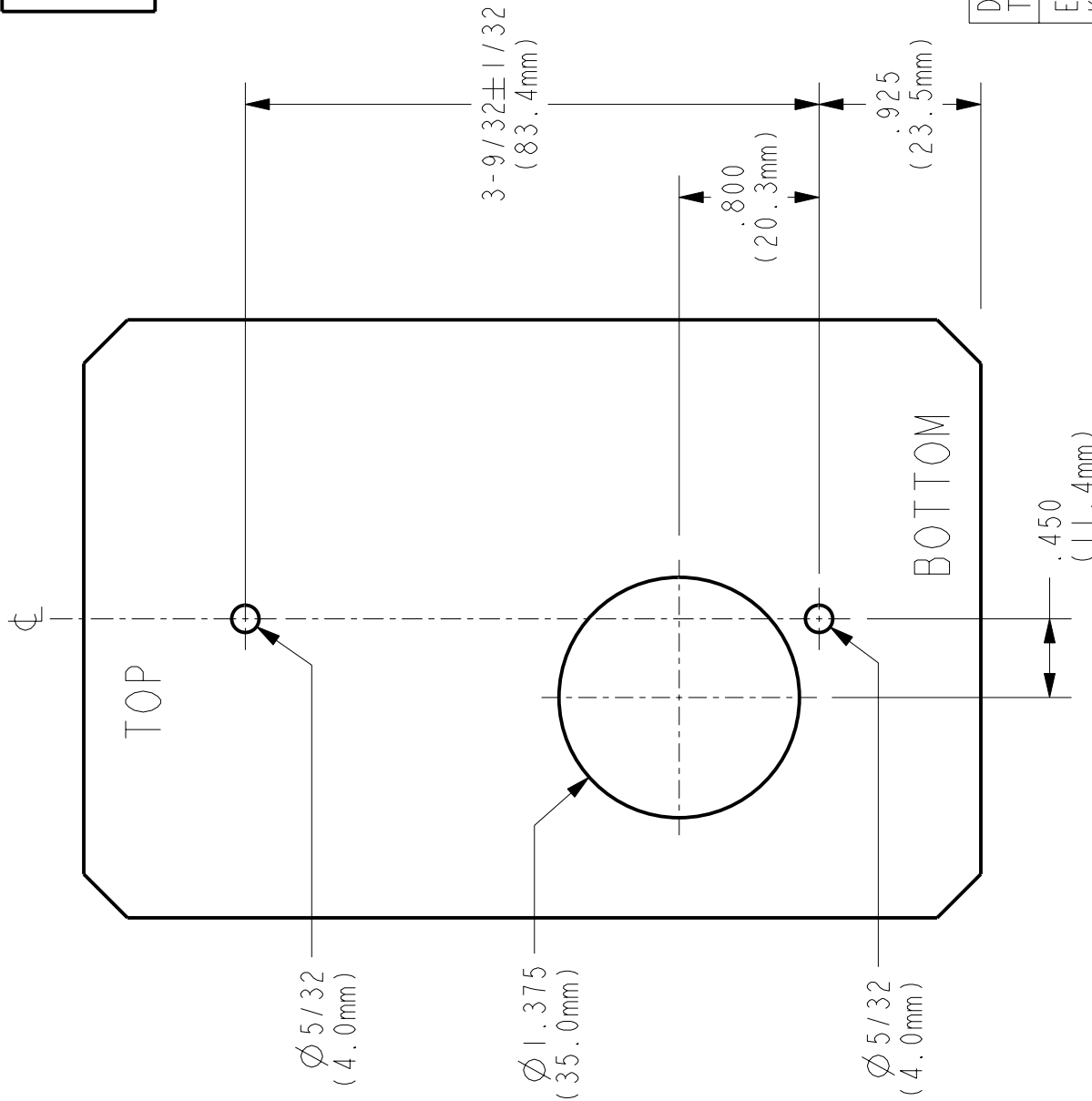


MARK 3 HOLE LOCATIONS
 DRILL 1" HOLE. HOLD KEYPAD AGAINST WALL, CHECK OTHER
 HOLE LOCATIONS.
 IF MOUNTING TO WOOD, DRILL
 SMALL PILOT HOLES.
 IF MOUNTING TO PLASTER
 DRILL 3/16, INSTLL ANCHORS.


TOLERANCES UNLESS OTHERWISE SPECIFIED DIM'S IN INCHES	TITLE
.X ±.030	TEMPLATE, 2X6 TOUCHPAD
.XX ±.010	DWG NO:
.XXX ±.005	DR: J. ECHOLS
< ± .5°	ENG: <i>E. Echols</i> 9/27/98
	APPD: <i>J.C.E.</i>
	SCALE: FULL
	SHEET 1 OF 1

6.0 Annex B Drilling Template

NOTES:
 - SYMBOLS: - ∇ DEEP
 - ∅ CENTER LINE OF DOOR
 - ∅ DIAMETER
 - — NOT TO SCALE



DO NOT REPRODUCE
 CONTACT CUSTOMER SUPPORT
 1-800-906-4526

DRILLING TEMPLATE TOUCHPAD 3X4X12	
ESSEX MODEL R11 23B KABA P/N 120-512093	
 7301, Decarie Boul Montreal, QC Canada H4P 2G7 www.kaba-ilco.com	
SHEET 1 OF 1	DATE 07JUN07
UNE VERSION FRANCAISE DE CE DOCUMENT EST DISPONIBLE SUR DEMANDE.	
ECN 12487	REV - I DT-512386

- NOTES:
- MARK 3 HOLE LOCATIONS
 - DRILL ∅1-3/8 HOLE, HOLD KEYPAD AGAINST WALL,
 - CHECK OTHER HOLE LOCATIONS
 - FOR WOOD DRILL SMALL PILOT HOLES
 - FOR PLASTER DRILL ∅3/16 AND INSTALL ANCHORS

6.0 Annex C Quick Troubleshooting Guide

The following sections show basic troubleshooting for some common problems that may occur during installation. Each section relates to a specific type of problem, namely:

- Power Troubleshooting
- Keypad Troubleshooting

- External Inputs Troubleshooting
- Locking Device Troubleshooting
- Relay Expansion Board Troubleshooting
- Programming and Auditing Troubleshooting

For detailed assistance, please contact Technical Support as indicated at the start of this manual.

1. Power Troubleshooting

Symptom	Action
All controller board (B) LEDs are OFF	<ul style="list-style-type: none"> - Verify that the RAC 660G controller is connected properly to the power adaptor as per Annex A, Table 1. - Verify that AC power is active for the wall mount power adaptor. - If qualified, with a multi-meter verify that 12VDC is present across J16-1 and J16-2 with the power adaptor connected and AC power turned on.

2. Keypad Troubleshooting

Symptom	Action
No LED, No sound when key is pressed	<ul style="list-style-type: none"> - Verify that the RAC 660G is powered. - Verify the wiring to the keypad
Test sequence (#, 0, *, 9, 8, 7, 6, 5, 4, 3, 2, 1,) not accepted	<ul style="list-style-type: none"> - Verify the wiring to the keypad
Code not accepted.	<ul style="list-style-type: none"> - Verify that the RAC 660G controller is active: the Access (D43) LED should blink. If not, reset the RAC 660G Controller: press the Reset switch (SW1) or disconnect and reconnect the power. - Verify the wiring to the reader. - Verify that the 660G is programmed (LED D41 should be on), If not, program it. - Re-program the RAC 660G.

3. External Inputs Troubleshooting

Symptom	Action
Request to Exit does not work	<ul style="list-style-type: none"> - Verify that the REX LED (D33) on the RAC 660G controller turns on when the button is pressed. If not, verify the wiring to the Request to Exit button. - Verify that the wires are connected to the normally Open and Common contacts of the request to Exit Button.
Remote Unlock does not work	<ul style="list-style-type: none"> - Verify that the Remote Unlock LED (D36) on the RAC 660G controller turns on when the button is pressed. If not, verify the wiring to the Remote Unlock button.
Key Override does not work	<ul style="list-style-type: none"> - Verify that the key override LED (D40) on the 660G controller turns on when the key override is activated. If not, verify the wiring to the key override.

4. Locking Device Troubleshooting

Symptom	Action
Locking Device always unlocked	<ul style="list-style-type: none"> - If the Locking Device Relay LED (D31) on the RAC 660G controller is ON: <ul style="list-style-type: none"> • Verify that the delay setting of the DIP switch (SW2) is correct. • Verify that the lock is in not Passage Mode. - If the Locking Device Relay LED (D31) on the RAC 660G controller is OFF: <ul style="list-style-type: none"> • Verify that the Bypass switch is not active (Bypass LED, D21, is OFF). • Verify that the Fire Alarm input not active (Input contact closed, Fire Alarm LED, D47, is ON). • Verify the wiring to the locking device.
Locking device does not unlock	<ul style="list-style-type: none"> - If the Locking Device Relay LED (D31) turns on: <ul style="list-style-type: none"> • Verify that the Fire Alarm input is not active (Input contact closed, Fire Alarm LED, D47, is on). • Verify the wiring to the locking device. - If a diode is installed on the locking device, verify the polarity. - If the locking device Relay LED (D31) does not turn on: <ul style="list-style-type: none"> • Verify that the Request to Exit or Remote Unlock activation unlocks the door. • Verify that the card is encoded properly. • Verify that the RAC 660G is not in Lockout mode. • Verify that the RAC 660G is programmed properly.
Fire Alarm does not Unlock door	<ul style="list-style-type: none"> - Verify that the Fire Alarm input is connected to a Normally Closed contact. - Verify that the Fire Alarm LED (D47) is normally on and turns off when the Fire Alarm is present. - Verify that the 12V_Lock output of the RAC 660G controller is connected to the COMMON of the locking device relay.
Unit Resets when the relay activates to unlock the door.	<ul style="list-style-type: none"> - If the diode is installed on the Electric strike as per Annex A, verify the polarity of the diode. - Verify the wiring to the locking device.

5. Programming and Auditing Troubleshooting

Symptom	Action
Cannot program or audit the RAC 660G	<ul style="list-style-type: none"> - Verify that the RAC 660G controller is active: the Access (D43) LED should blink. If not, reset the RAC 660G Controller (press the Reset switch (SW1) or disconnect and reconnect the power). - Verify that the 660G enters programming mode when *,#,*,# is pressed, or when a DIP switch (SW2) is toggled. The FUNC 1 LED (D45) blinks when the 660G is in programming mode. - The 660G controller must still be in programming mode with LED (D45) blinking when the Program or Audit command is selected on the M-Unit. - Verify that the M-Unit is pointing toward the infrared Transceiver (D12) located beside the DIP switch (SW2) during programming and auditing. The distance between the M-Unit and the 660G controller should be a few inches (3 to 6 inches). - If the RAC 660G is not initialized (Initialization LED, D41, is OFF) - If the RAC 660G was already initialized, it may need to be re-initialized: <ul style="list-style-type: none"> • Follow the instructions in section 5.3 "Reset to factory default".



Kaba Lodging Systems

7301 Boul. Décarie Montréal (QC) H4P 2G7

Technical Support:

1.800.906.4526

Customer Service:

T: 1.877.468.3555

F: 514.735.6589

General Information:

www.kabalodging.com

Online Consumable Orders:

www.keycard.com

To access all of our easy steps, please visit our Support Website:

<http://connect.kabalodging.com>