



Surface Applied
Door Closers

DORMA 7400

Technical Details and Specifications 3
 How to Order 4

Technical Drawings

Regular x round form arm 5
 Regular x friction hold open 5
 Regular x cushion IS arm 6
 Regular x spring stop IS arm 6
 Top jamb x round form arm 7
 Top jamb x friction hold open 7
 Top jamb x cushion IS arm 8
 Top jamb x spring stop IS arm 8
 Parallel arm x round form arm 9
 Parallel arm x friction hold open 9
 Heavy-duty super parallel arm 10
 Heavy-duty parallel arm door saver x cushion 10
 Heavy-duty parallel arm x spring door saver 11
 Track - pull side door mounted 11
 Jamb track - pull side frame mounted 12
 Push track - push side soffit mounted 12
 Flush track - push side door mounted x backplate 13
 Track double egress - pull side frame mounted 13

Accessories

Round form arm (8 mm rod) 14
 Round form arm (10 mm rod) 14
 Round form arm (secured elbow) (8 mm rod) 14
 Narrow profile arm (8 mm) 14
 Narrow profile arm (10 mm) 14
 Regular arm shoe and rod 15
 Friction hold open arm 15
 Cushion IS arm 15
 Spring stop IS arm 15
 Cushion IS/spring stop IS arm accessories 15
 Super parallel arm 16
 Door saver arm 16
 Spring stop door saver arm 16
 Track arm 16
 TDE track arm 16
 Push side track arm 16
 Sex nuts 16
 BP74 backplate 17
 BP86 backplate 17
 BP86FC backplate 17
 BP74T backplate 17

7400 Series



BP86T backplate 17
 BP86TFC backplate 17
 BP86FTFC backplate 17
 BP640C conversion plate 17
 DP74 drop plate 18
 DP86 drop plate 18
 DP86FC drop plate 18
 AB74 angle bracket 18
 AB86 angle bracket 18
 P86 parallel arm bracket 18
 Parallel hold open bracket 18
 Parallel flush transom bracket 18
 Narrow frame bracket 19
 Flush transom bracket 19
 Mortised jamb bracket 19
 Parallel drop bracket 19
 Slim plastic cover 19
 Full plastic cover 19
 Blade stop spacer 19
 Heavy-Duty blade stop spacer 19



The quality management system at the Reamstown, PA facility is certified to ISO-9001:2008.*



*DORMA Door Controls Inc., dba: DORMA Architectural Hardware

The 7400 Series closers offer modern styling and versatility while providing safe and reliable door control.

Featuring backcheck and adjustable spring sizes, DORMA's 7400 Series is the ideal solution in a wide variety of applications, including barrier-free. This Grade 1 hydraulic surface door closer is both flexible and easy to install.

The 7400 Series offers a compact design and is available in a variety of sprayed finishes to complement any opening's decor.

Technical Details:

- Available as 7414 with adjustable spring sizes 1–4 and 7436 with adjustable spring sizes 3–6.
- ♿ 7414 meets 5 lb interior barrier-free applications.
- Non-handed for regular, top jamb and parallel arm applications.
- Quick and easy to install.
- Compact design.
- Two noncritical adjusting valves (sweep and latch) with thermostatic properties work to provide consistent closing speeds under a wide variety of temperatures.
- Adjustable backcheck standard. Provides cushioning when the door is abusively opened.
- Available with optional delayed action to delay door closing from maximum opening. Delay time is adjustable.
- The 7400 Series is certified to the requirements of ANSI/BHMA A156.4 Grade 1.
- Available with optional self-drilling screws for steel door and frame applications (DPK86).
- Available with optional self-tapping screws for aluminum door and frame applications (TPK86).
- BP640C mounting bracket can be used when installing into a 9-1/16" template hole pattern.

Certification:

The DORMA 7400 is listed by U.L. and C.U.L. under their reinspection programs. Meets the requirements for UL10C and UBC 7.2 (1997) for positive pressure. California State Fire Marshall (CSFM) approved.

Specification:

All closers shall be DORMA 7400 Series hydraulic surface applied rack and pinion closers. The closer has two independent valves to separately control sweep and latch closing speeds and provide constant speeds when temperatures change. Standard with adjustable backcheck to provide cushioning effect in opening. All 7400 fully adjustable spring force door closers to include an integral design to positively stop adjustment of the spring at the minimum and maximum spring force settings. Standard with special rust inhibitor (SRI) for added protection against corrosive environments.

Features	7414	7436
Spring sizes (shipped as size 4)	1–4*	3–6
Non-handed	•	•
Parallel arm bracket	•	•
Adjustable spring sizes	•	•
Fixed spring sizes	-	-
Controlled closing with two adjustable valves	180°–10° 10°–0°	180°–10° 10°–0°
Backcheck	•	•
Delayed action	○	○
Hold open	○	○
Self-drilling screws	○	○
Self-tapping screws	○	○
Tamper-resistant TORX screws	○	○
Slim plastic cover	○	○
Full plastic cover	○	○

• yes - no ○ optional

* Meets 5 lb maximum opening force on 3'-0" wide interior doors.

Optional Specification:

The 7400 Series closer to have delayed action (DA). Delayed action range will be effective from maximum opening to approximately 65°. All 7400 closers to have slim plastic cover (COV) or full plastic cover (FC). Closers to have arm with a selective single point hold open between 80°–170° for regular mount (FH), 70°–175° for parallel arm mount (specify FHP).

All closers to have sex nuts with machine screws for 1-3/4" door (SNB1) or 1-3/8" door (SNB2). Closers to have self-drilling screws for steel doors and frames (DPK86). Closers to have self-tapping screws for aluminum doors and frames (TPK86). Closers to have TORX security for all exposed fasteners (TX86).

All closers to be supplied with BP640C mounting bracket to match a 9-1/16" closer body hole pattern.

REDUCED OPENING FORCE INSTALLATIONS CAUTION:

Manual door closers, including those certified to meet ANSI/BHMA A156.4, when installed and adjusted to conform to ADA or other reduced opening force requirements, may not provide sufficient power to reliably close and latch a door. Refer to catalog for Low Energy Operator to meet reduced opening force requirements without affecting closing power.

Finishes:

Standard Sprayed Finishes:

Aluminum: 689.
Bronze: 691 (Dull), 690 (Statuary), or 695 (Dark Duranodic).
Gold: 696.
Black: 693.

Optional DORMA Custom Color or Designer Color Finishes:
Contact Customer Service.

Warranty: For details, refer to **Limited Warranty Policy** in the current DORMA Price List.

How to Order 7400 Series

Series	Spring Size			Cover		Accessory Plates*		Other Accessories*											
	7400	14 Adjustable 1-4	36 Adjustable 3-6	Delay —	DA	Slim Cover — COV	Full Plastic — FC	Full Plastic Slotted — FCSL	Drop Plate — DPXX	Back Plate — BPXX	ABXX — Angle Bracket	XXHD — Heavy Duty Bracket	PFT — PA Transom Bracket	PD — PA Drop Bracket	MJ — Mortise Jamb Bracket	BS — Blade Stop Spacer	BSHD — Blade Stop Heavy Duty		
	74	14																	
					ARP					COMBO								689	
					ARP					COMBO	Default Fastener Pack							600	— Primed
					ARJ					SNB1	Sex Nuts and Machine Screws, 1-3/4"							689	— Aluminum
					AR					SNB2	Sex Nuts and Machine Screws, 1-3/8"							690	— Statuary Bronze
					A08P					DPK86	Self-Drilling							691	— Dull Bronze
					A08					CMBDPK	Std. and Self-Drilling							693	— Black
					FHP					TPK86	Self-Tapping							695	— Dark Duranodic Bronze
					FHJ					CMBTPK	Std. and Self-Tapping							696	— Gold
					FH					TX86	Torx Security Pack							PNT	— Special Sprayed Finish (must specify)
					DS					AWS	All Wood Screws								
					DST					METRIC	All Metric Fasteners								
					DSK														
					SDS														
					SDST														
					IS														
					ISH														
					SIS														
					SISH														
					ISJ														
					ISJH														
					SISJ														
					SISJH														
					SPA														
					SPAT														
					T														
					JT														
					PT														
					TDE														
					FT														
					TH														
					JTH														
					PTH														
					TDEH														
					FTH														

NOTE: All combinations of features and options are not available for all models. Please refer to 8600 Series product brochure for details.

*XX indicates specific accessory model designation required. Refer to product brochure for applicable models.

Technical Drawing (Symbols and Notes)

- – Recommended application
- ♿ – Opening force ≤5 lb on interior doors; ≤8.5 lb on exterior doors where door without closer attached is 1 lb or less.
- N/A – Not applicable/application not recommended

Regular × Round Form Arm

7414 AR
7436 AR
7414 A08
7436 A08

4-1/2" x 4-1/2" Butt Hinges

Minimum door rail for mounting closer 2-1/2".
Minimum door rail to bottom of slim plastic cover 2-5/8".
Minimum door rail to bottom of optional full plastic cover 3-5/8".

Size Selection Chart

CLOSER	INTERIOR/ EXTERIOR	DOOR WIDTH					TEMPLATE REFERENCE	APPROX. MAXIMUM OPENING	APPROX. BACKCHECK	APPROX. DELAYED ACTION
		2'-0" min.	2'-6" max.	3'-0" max.	3'-6" max.	4'-0" max.				
7414	INTERIOR	•	•	♿	♿	N/A	TO 180°	180°	65°-180°	180°-65°
	EXTERIOR	•	•	♿	N/A	N/A				
7436	INTERIOR	N/A	N/A	•	•	•				
	EXTERIOR	N/A	•	•	♿	♿				

Regular × Friction Hold Open

7414 FH
7436 FH

4-1/2" x 4-1/2" Butt Hinges

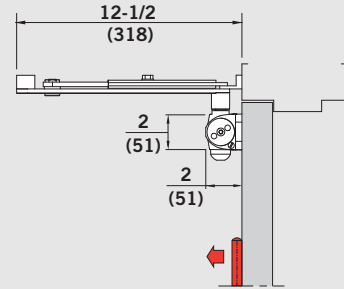
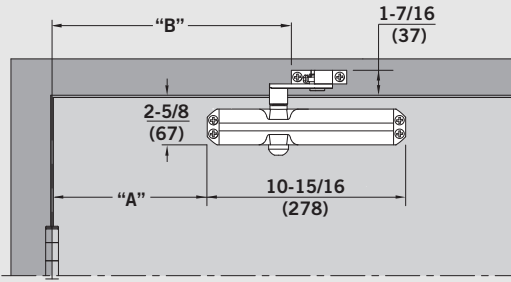
Minimum door rail for mounting closer 2-5/8".
Minimum door rail to bottom of slim plastic cover 2-3/4".
Minimum door rail to bottom of optional full plastic cover 3-3/4".

Size Selection Chart

CLOSER	INTERIOR/ EXTERIOR	DOOR WIDTH					TEMPLATE REFERENCE	DIM "A"	DIM "B"	APPROX. MAXIMUM OPENING	APPROX. BACKCHECK	APPROX. DELAYED ACTION	MINIMUM HOLD OPEN	MAXIMUM HOLD OPEN
		2'-0" min.	2'-6" max.	3'-0" max.	3'-6" max.	4'-0" max.								
7414	INTERIOR	•	•	♿	♿	N/A	TO 100°	7-1/8" (181)	12-5/8" (321)	110°	65°-110°	110°-65°	80°	110°
	EXTERIOR	•	•	♿	N/A	N/A	100° TO 120°	6-1/8" (155)	11-5/8" (295)	125°	70°-125°	125°-70°	90°	125°
	EXTERIOR	N/A	N/A	•	•	•	OVER 120°	3-5/8" (92)	9-1/8" (232)	180°	85°-180°	180°-85°	100°	170°
7436	INTERIOR	N/A	N/A	•	•	•								
	EXTERIOR	N/A	•	•	♿	♿								

Regular x Cushion IS Arm

7414 IS/ISH
7436 IS/ISH



4-1/2" x 4-1/2" Butt Hinges

Minimum door rail for mounting closer 2".
Minimum door rail to bottom of slim plastic cover 2-5/8".
Minimum door rail to bottom of optional full cover 3-5/8".



Size Selection Chart

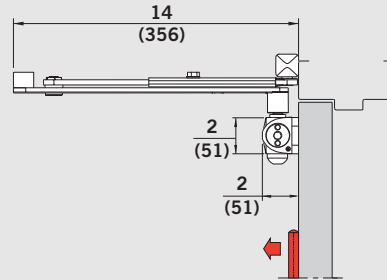
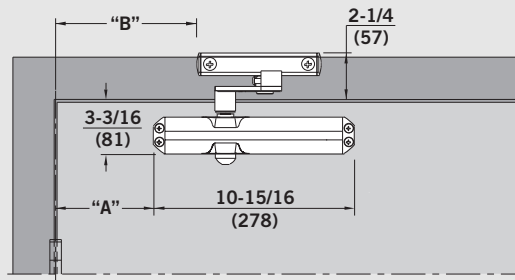
CLOSER	INTERIOR/ EXTERIOR	DOOR WIDTH				
		2'-0" min.	2'-6" max.	3'-0" max.	3'-6" max.	4'-0" max.
7414	INTERIOR	•	•	⊘	⊘	N/A
	EXTERIOR	•	•	⊘	N/A	N/A
7436	INTERIOR	N/A	N/A	•	•	•
	EXTERIOR	N/A	•	•	⊘	⊘

TEMPLATE REFERENCE	DIM "A"	DIM "B"	*CUSHION/ HOLD OPEN	APPROX. BACKCHECK	APPROX. DELAYED ACTION
85°	7-11/16" (195)	13-7/8" (352)	85°	55°-85°	85°-55°
90°	7" (178)	13-1/2" (343)	90°	60°-90°	90°-60°
95°	6-3/16" (157)	13-1/4" (337)	95°	65°-95°	95°-65°
100°	6-1/8" (156)	12-5/8" (321)	100°	70°-100°	100°-70°
105°	5-11/16" (144)	12-1/4" (311)	105°	75°-105°	105°-75°
110°	5-1/4" (133)	11-7/8" (302)	110°	75°-110°	110°-75°

* Hold Open is approximately 5°-7° less than the cushion angle listed in the chart.

Regular x Spring Stop IS Arm

7414 SIS/SISH
7436 SIS/SISH



4-1/2" x 4-1/2" Butt Hinges

Minimum door rail for mounting closer 2-1/2".
Minimum door rail to bottom of slim plastic cover 2-5/8".
Minimum door rail to bottom of optional full cover 3-5/8".



Size Selection Chart

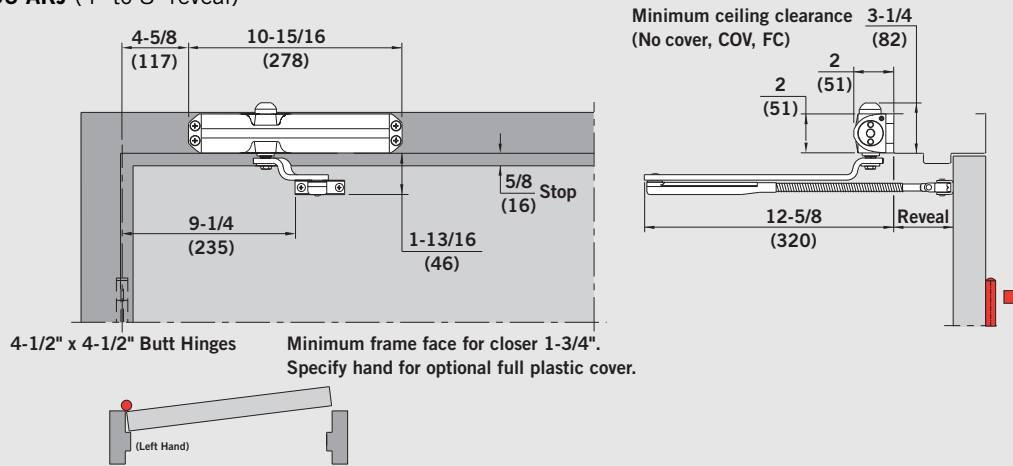
CLOSER	INTERIOR/ EXTERIOR	DOOR WIDTH				
		2'-0" min.	2'-6" max.	3'-0" max.	3'-6" max.	4'-0" max.
7414	INTERIOR	•	•	⊘	⊘	N/A
	EXTERIOR	•	•	⊘	N/A	N/A
7436	INTERIOR	N/A	N/A	•	•	•
	EXTERIOR	N/A	•	•	⊘	⊘

TEMPLATE REFERENCE	DIM "A"	DIM "B"	*DEAD STOP/ HOLD OPEN	APPROX. BACKCHECK	APPROX. DELAYED ACTION
85°	9" (229)	11-9/16" (294)	85°	55°-85°	85°-55°
90°	8-1/2" (215)	11-1/16" (281)	90°	60°-90°	90°-60°
100°	7-1/2" (191)	10-1/16" (256)	100°	70°-100°	100°-70°
110°	6-3/4" (172)	9-5/16" (237)	110°	75°-110°	110°-75°

* Hold Open is approximately 5°-7° less than the dead stop angle listed in the chart.

Top Jamb x Round Form Arm

7414 ARJ (4" to 8" reveal)
7436 ARJ (4" to 8" reveal)



Size Selection Chart

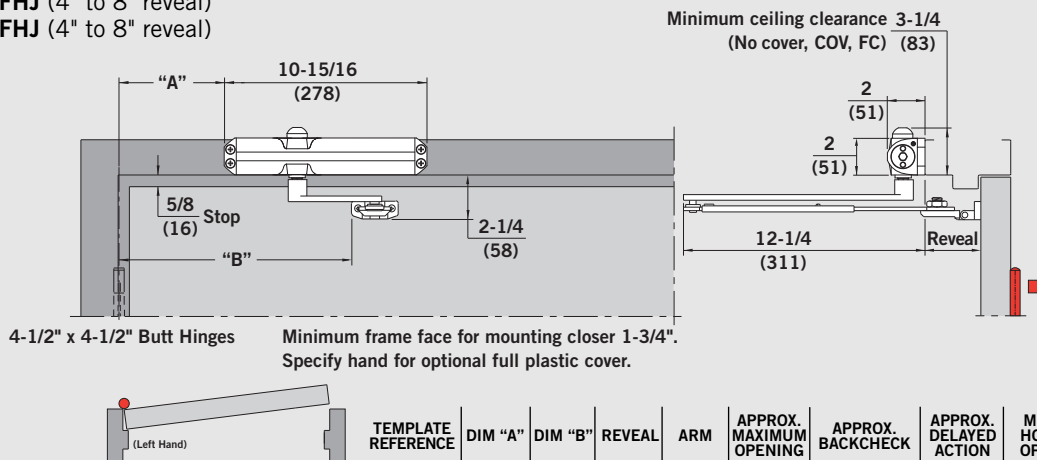
CLOSER	INTERIOR/ EXTERIOR	DOOR WIDTH					REVEAL	ARM	APPROX. MAXIMUM OPENING	APPROX. BACKCHECK	APPROX. DELAYED ACTION
		2'-0" min.	2'-6" max.	3'-0" max.	3'-6" max.	4'-0" max.					
7414	INTERIOR	•	•	♿	♿	N/A	0"	AR	180°	70°-180°	180°-60°
	EXTERIOR	•	•	♿	N/A	N/A	4"	AR	180°	75°-180°	180°-70°
7436	INTERIOR	N/A	N/A	•	•	•	4"	ARJ	180°	75°-180°	180°-70°
	EXTERIOR	N/A	•	•	♿	♿	8"	ARJ	165°	80°-165°	165°-75°

TO 180°

Note: Bold type shows supplied arm

Top Jamb x Friction Hold Open

7414 FHJ (4" to 8" reveal)
7436 FHJ (4" to 8" reveal)



Size Selection Chart

CLOSER	INTERIOR/ EXTERIOR	DOOR WIDTH					REVEAL	ARM	APPROX. MAXIMUM OPENING	APPROX. BACKCHECK	APPROX. DELAYED ACTION	MIN. HOLD OPEN	MAX. HOLD OPEN
		2'-0" min.	2'-6" max.	3'-0" max.	3'-6" max.	4'-0" max.							
7414	INTERIOR	•	•	♿	♿	N/A	0"	FH	110°	70°-110°	110°-70°	70°	105°
							4"	FHJ	105°	75°-105°	105°-75°	70°	100°
							8"	FHJ	100°	80°-100°	100°-80°	70°	95°
7414	EXTERIOR	•	•	♿	N/A	N/A	0"	FH	125°	75°-125°	125°-75°	75°	120°
							4"	FH	120°	80°-120°	120°-80°	75°	115°
							8"	FHJ	115°	85°-115°	115°-85°	75°	110°
7436	INTERIOR	N/A	N/A	•	•	•	0"	FH	180°	85°-180°	180°-85°	80°	170°
							4"	FH	180°	90°-180°	180°-90°	80°	170°
							8"	FHJ	165°	100°-165°	165°-100°	85°	155°
7436	EXTERIOR	N/A	•	♿	♿	N/A	0"	FH	125°	75°-125°	125°-75°	75°	120°
							4"	FH	120°	80°-120°	120°-80°	75°	115°
							8"	FHJ	115°	85°-115°	115°-85°	75°	110°

TO 100° DIM "A" DIM "B"

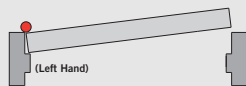
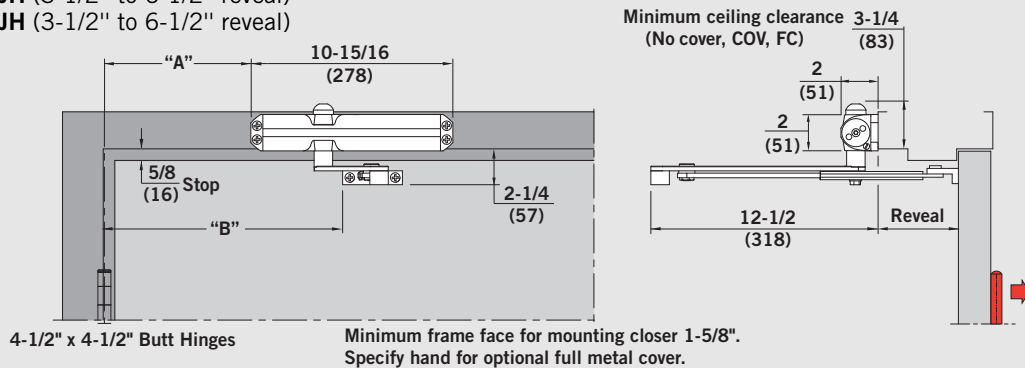
TO 120°

OVER 120°

Note: Bold type shows supplied arm

Top Jamb x Cushion IS Arm

7414 ISJ/ISJH (3-1/2" to 6-1/2" reveal)
7436 ISJ/ISJH (3-1/2" to 6-1/2" reveal)



TEMPLATE REFERENCE	DIM "A"	DIM "B"	REVEAL	ARM	*CUSHION/HOLD OPEN	APPROX. BACKCHECK	APPROX. DELAYED ACTION
85°	6-1/2" (165)	12-5/8" (321)	0"-3-1/2" 3-1/2"-6-1/2"	IS ISJ	85° 85°	55°-85° 55°-85°	85°-55° 85°-55°
90°	5-3/4" (146)	12-1/8" (308)	0"-3-1/2" 3-1/2"-6-1/2"	IS ISJ	90° 90°	60°-90° 60°-90°	90°-60° 90°-60°
95°	5-1/2" (140)	11-3/4" (298)	0"-3-1/2" 3-1/2"-6-1/2"	IS ISJ	95° 95°	65°-95° 65°-95°	95°-65° 95°-65°
100°	5-1/4" (133)	11-1/4" (286)	0"-3-1/2" 3-1/2"-6-1/2"	IS ISJ	100° 100°	70°-100° 70°-100°	100°-70° 100°-70°
105°	5" (127)	11" (279)	0"-3-1/2" 3-1/2"-6-1/2"	IS ISJ	105° 105°	75°-105° 75°-105°	105°-70° 105°-70°
110°	4-3/4" (121)	10-3/4" (273)	0"-3-1/2" 3-1/2"-6-1/2"	IS ISJ	110° 110°	75°-110° 75°-110°	110°-75° 110°-75°

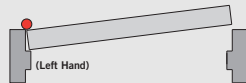
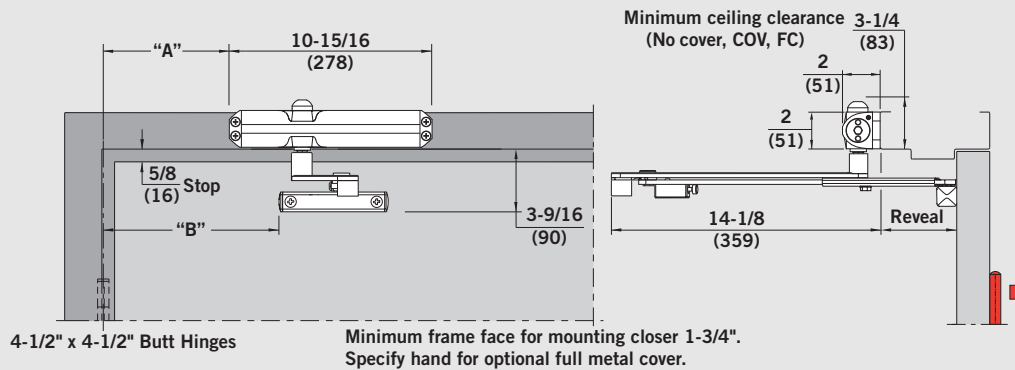
* Hold Open is approximately 5°-7° less than the cushion angle listed in the chart.
Note: Bold type shows supplied arm.

Size Selection Chart

CLOSER	INTERIOR/ EXTERIOR	DOOR WIDTH				
		2'-0" min.	2'-6" max.	3'-0" max.	3'-6" max.	4'-0" max.
7414	INTERIOR	•	•	⊗	⊗	N/A
	EXTERIOR	•	•	⊗	N/A	N/A
7436	INTERIOR	N/A	N/A	•	•	•
	EXTERIOR	N/A	•	•	⊗	⊗

Top Jamb x Spring Stop IS Arm

7414 SISJ/SISJH (3-1/2" to 6-1/2" reveal)
7436 SISJ/SISJH (3-1/2" to 6-1/2" reveal)



TEMPLATE REFERENCE	DIM "A"	DIM "B"	REVEAL	ARM	DEAD STOP/ HOLD OPEN	APPROX. BACKCHECK	APPROX. DELAYED ACTION
85°	8-1/2" (216)	11-1/16" (281)	0"-3-1/2" 3-1/2"-6-1/2"	SIS SISJ	85° 85°	55°-85° 55°-85°	85°-55° 85°-55°
90°	7-7/8" (200)	10-7/16" (266)	0"-3-1/2" 3-1/2"-6-1/2"	SIS SISJ	90° 90°	60°-90° 60°-90°	90°-60° 90°-60°
100°	7 (178)	9-9/16" (243)	0"-3-1/2" 3-1/2"-6-1/2"	SIS SISJ	100° 100°	70°-100° 70°-100°	100°-70° 100°-70°
110°	6-3/8" (162)	8-15/16" (227)	0"-3-1/2" 3-1/2"-6-1/2"	SIS SISJ	110° 110°	75°-110° 75°-110°	110°-75° 110°-75°

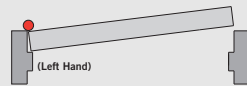
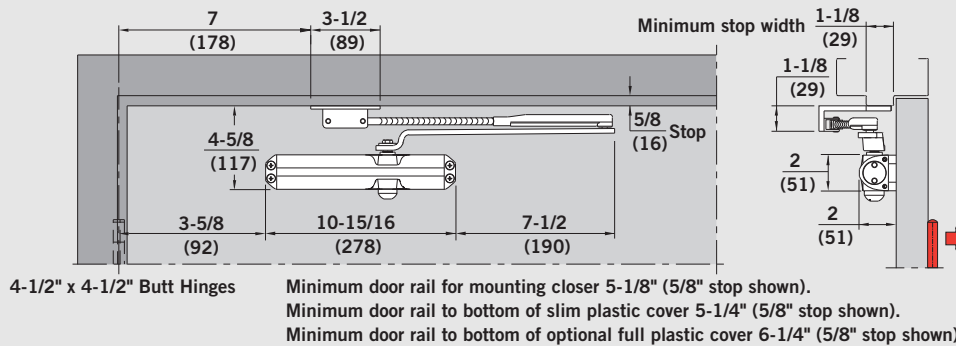
* Hold Open is approximately 5°-7° less than the dead stop angle listed in the chart.
Note: Bold type shows supplied arm.

Size Selection Chart

CLOSER	INTERIOR/ EXTERIOR	DOOR WIDTH				
		2'-0" min.	2'-6" max.	3'-0" max.	3'-6" max.	4'-0" max.
7414	INTERIOR	•	•	⊗	⊗	N/A
	EXTERIOR	•	•	⊗	N/A	N/A
7436	INTERIOR	N/A	N/A	•	•	•
	EXTERIOR	N/A	•	•	⊗	⊗

Parallel Arm × Round Form Arm

7414 ARP
7436 ARP
7414 A08P
7436 A08P

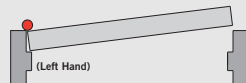
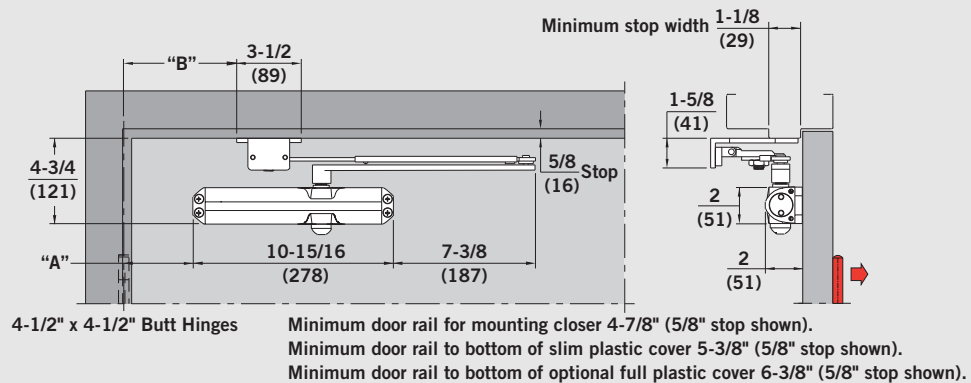


Size Selection Chart

CLOSER	INTERIOR/ EXTERIOR	DOOR WIDTH				TEMPLATE REFERENCE	APPROX. MAXIMUM OPENING	APPROX. BACKCHECK	APPROX. DELAYED ACTION	MINIMUM DOOR WIDTH
		2'-6" max.	3'-0" max.	3'-6" max.	4'-0" max.					
7414	INTERIOR	•	⊗	N/A	N/A	TO 180°	180°	75°-180°	180°-75°	26"
	EXTERIOR	•	N/A	N/A	N/A					
7436	INTERIOR	•	•	•	•					
	EXTERIOR	•	⊗	⊗	N/A					

Parallel Arm × Friction Hold Open

7414 FHP
7436 FHP

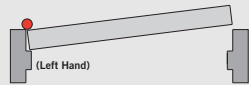
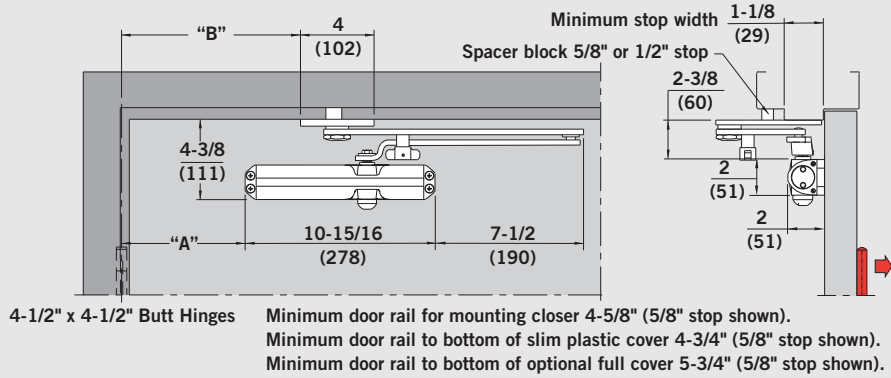


Size Selection Chart

CLOSER	INTERIOR/ EXTERIOR	DOOR WIDTH				TEMPLATE REFERENCE	DIM "A"	DIM "B"	APPROX. MAXIMUM OPENING	APPROX. BACKCHECK	APPROX. DELAYED ACTION	MINIMUM HOLD OPEN	MAXIMUM HOLD OPEN	MINIMUM DOOR WIDTH
		2'-6" max.	3'-0" max.	3'-6" max.	4'-0" max.									
7414	INTERIOR	•	⊗	N/A	N/A	TO 100°	5-1/2" (140)	9" (228)	110°	80°-110°	110°-80°	45°	105°	29"
	EXTERIOR	•	N/A	N/A	N/A									
7436	INTERIOR	•	•	•	•	OVER 100°	3" (76)	6-1/2" (165)	180°	95°-180°	180°-95°	45°	175°	24"
	EXTERIOR	•	⊗	⊗	N/A									

Heavy-Duty Super Parallel Arm

7436 SPA/SPAT

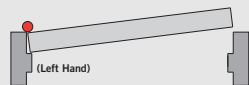
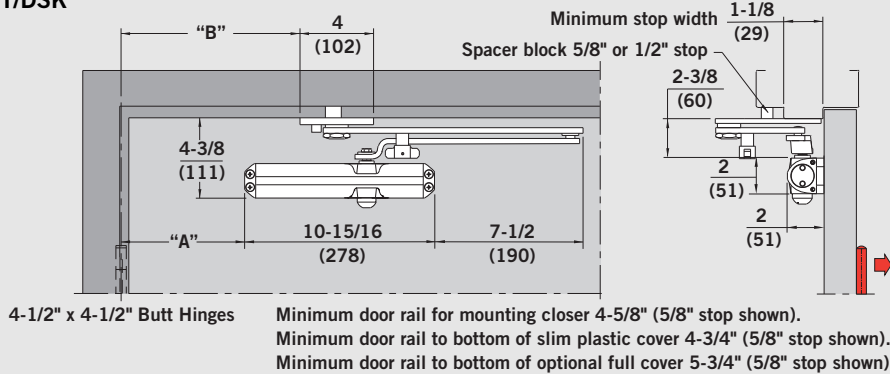


Size Selection Chart

CLOSER	INTERIOR/ EXTERIOR	DOOR WIDTH					ANGLE OF OPENING/ HOLD OPEN	DIM "A" CLOSER	DIM "B" SOFFIT PLATE	APPROX. MAXIMUM OPENING	APPROX. BACKCHECK	APPROX. DELAYED ACTION	MINIMUM DOOR WIDTH
		2'-0" min.	2'-6" max.	3'-0" max.	3'-6" max.	4'-0" max.							
7436	INTERIOR	N/A	•	•	•	•	TO 100° H.O. 90°	5-5/8" (143)	9-1/8" (232)	100°	60°-100°	100°-75°	26"
	EXTERIOR	•	•	♿	♿	N/A	TO 180° H.O. 123°	2" (51)	5-1/2" (140)	180°	80°-180°	180°-95°	23"

Heavy-Duty Parallel Arm Door Saver x Cushion

7436 DS/DST/DSK



Size Selection Chart

CLOSER	INTERIOR/ EXTERIOR	DOOR WIDTH					TEMPLATE REFERENCE	DIM "A" CLOSER	DIM "B" SOFFIT PLATE	* CUSHION/ HOLD OPEN	APPROX. BACKCHECK	APPROX. DELAYED ACTION	MINIMUM DOOR WIDTH
		2'-0" min.	2'-6" max.	3'-0" max.	3'-6" max.	4'-0" max.							
7436	INTERIOR	N/A	•	•	•	•	85°	6" (153)	10" (254)	85°	50°-85°	85°-65°	26"
	EXTERIOR	•	•	♿	♿	N/A	90°	5-1/8" (131)	9-1/4" (235)	90°	55°-90°	90°-70°	25"
	INTERIOR	N/A	•	•	•	•	100°	4" (102)	8" (203)	100°	60°-100°	100°-75°	24"
	EXTERIOR	•	•	♿	♿	N/A	110°	2-3/4" (70)	6-7/8" (175)	110°	65°-110°	110°-80°	23"

* Hold Open is approximately 1°-2° less than the cushion angle listed in the chart.

Heavy-Duty Parallel Arm x Spring Door Saver

7436 SDS/SDST

4-1/2" x 4-1/2" Butt Hinges

Minimum door rail for mounting closer 4-5/8" (5/8" stop shown).
 Minimum door rail to bottom of slim plastic cover 4-3/4" (5/8" stop shown).
 Minimum door rail to bottom of optional full cover 5-3/4" (5/8" stop shown).

(Left Hand)

TEMPLATE REFERENCE	DIM "A" CLOSER	DIM "B" SOFFIT PLATE	* DEAD STOP/HOLD OPEN	APPROX. BACKCHECK	APPROX. DELAYED ACTION	MINIMUM DOOR WIDTH
85°	6" (153)	10" (254)	85°	50°-85°	85°-65°	26"
90°	5-1/8" (131)	9-1/4" (235)	90°	55°-90°	90°-70°	25"
100°	4" (102)	8" (203)	100°	60°-100°	100°-75°	24"
110°	2-3/4" (70)	6-7/8" (175)	110°	65°-110°	110°-80°	23"

* Hold Open is approximately 5°- 7° less than the dead stop angle listed in the chart.

Size Selection Chart

CLOSER	INTERIOR/ EXTERIOR	DOOR WIDTH				
		2'-0" min.	2'-6" max.	3'-0" max.	3'-6" max.	4'-0" max.
7436	INTERIOR	N/A	•	•	•	•
	EXTERIOR	•	•	•	•	N/A

Track - Pull Side Door Mounted

7436 T
7436 TH

4-1/2" x 4-1/2" Butt Hinges

Minimum frame face for mounting closer 2-7/8".
 Optional BP86T plate required for slim plastic cover.
 Optional BP86TFC plate required for full cover.
 Specify hand.

(Right Hand)

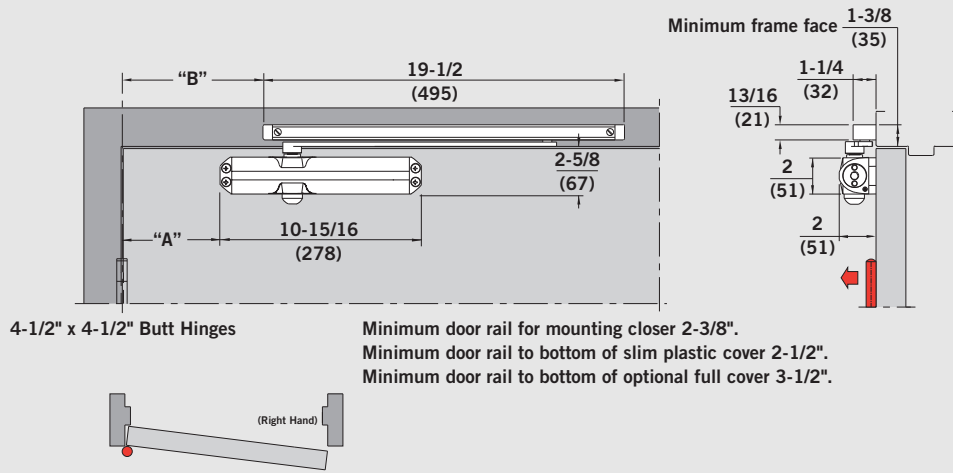
TEMPLATE REFERENCE	DIM "A"	DIM "B"	CUSHION	MAXIMUM HOLD OPEN	APPROX. BACKCHECK	APPROX. DELAYED ACTION	MINIMUM DOOR WIDTH
85°	2-5/8" (60)	9-5/8" (244)	85°	83°	65°-85°	85°-65°	31"
90°	2-5/8" (60)	8-5/8" (219)	90°	88°	65°-90°	90°-65°	30"
110°	1-3/8" (44)	6-3/4" (171)	110°	108°	70°-110°	110°-70°	27"
180°	7/8" (22)	4-1/8" (105)	180°	160°	80°-180°	180°-80°	25"

Size Selection Chart

CLOSER	INTERIOR/ EXTERIOR	DOOR WIDTH			
		2'-6" min.	3'-0" max.	3'-6" max.	4'-0" max.
7436	INTERIOR	•	•	•	N/A
	EXTERIOR	•	•	N/A	N/A

Jamb Track - Pull Side Frame Mounted

7436 JT
7436 JTH

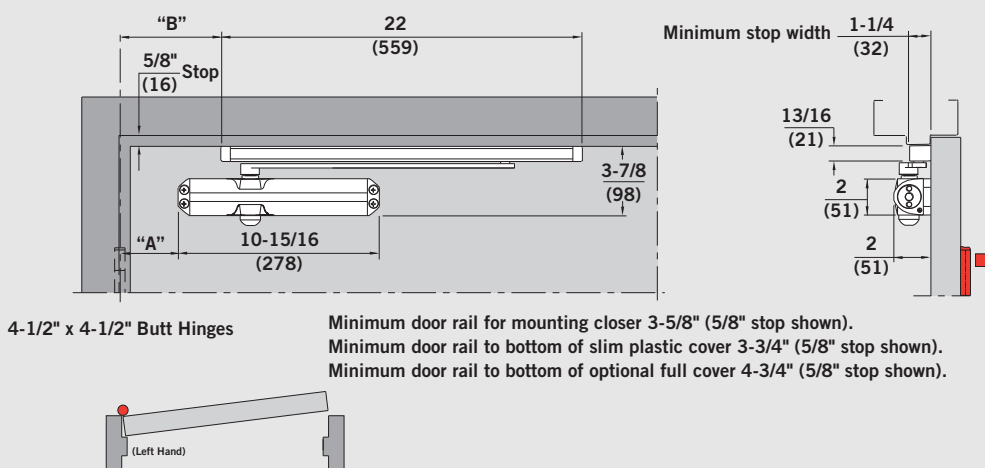


Size Selection Chart

CLOSER	INTERIOR/ EXTERIOR	DOOR WIDTH				TEMPLATE REFERENCE	DIM "A"	DIM "B"	CUSHION	MAXIMUM HOLD OPEN	APPROX. BACKCHECK	APPROX. DELAYED ACTION	MINIMUM DOOR WIDTH
		2'-6" min.	3'-0" max.	3'-6" max.	4'-0" max.								
7436	INTERIOR	•	•	•	N/A	85°	6-1/8" (156)	8" (203)	85°	80°	60°-85°	85°-60°	31"
	EXTERIOR	•	•	N/A	N/A	90°	6-5/8" (168)	7-1/2" (191)	90°	85°	65°-90°	90°-65°	30"
						110°	4-3/8" (111)	5-3/4" (146)	110°	100°	80°-110°	110°-80°	28"
						175°	3-7/8" (98)	3-3/8" (86)	175°	145°	95°-180°	175°-95°	25"

Push Track - Push Side Soffit Mounted

7436 PT
7436 PTH

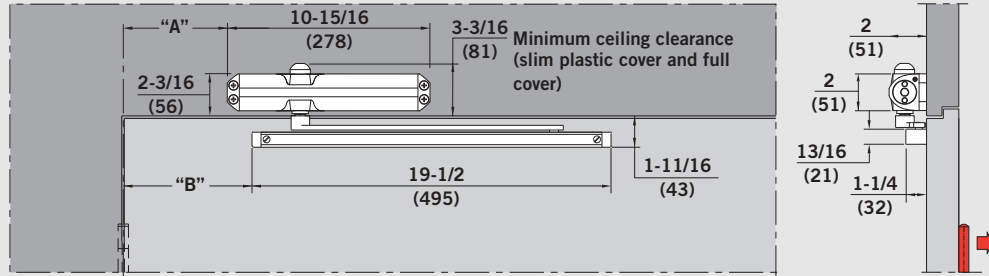


Size Selection Chart

CLOSER	INTERIOR/ EXTERIOR	DOOR WIDTH				TEMPLATE REFERENCE	DIM "A"	DIM "B"	CUSHION	MAXIMUM HOLD OPEN	APPROX. BACKCHECK	APPROX. DELAYED ACTION	MINIMUM DOOR WIDTH
		2'-6" min.	3'-0" max.	3'-6" max.	4'-0" max.								
7436	INTERIOR	•	•	•	N/A	85°	3-1/4" (83)	9-1/8" (232)	85°	82°	65°-85°	85°-65°	33"
	EXTERIOR	•	•	N/A	N/A	90°	3-1/4" (83)	7-1/2" (191)	90°	87°	65°-90°	90°-65°	31"
						100°	3-1/4" (83)	5-1/2" (140)	100°	97°	65°-100°	100°-65°	29"

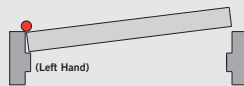
Flush Track - Push Side Door Mounted x Backplate

7436 FT BP86T
7436 FTH BP86T



4-1/2" x 4-1/2" Butt Hinges

Minimum transom surface for BP74T or optional plates 1-13/16".
Optional BP86T plate required for slim plastic cover.
Optional BP86FTFC plate required for full cover.
Specify hand for optional full cover.

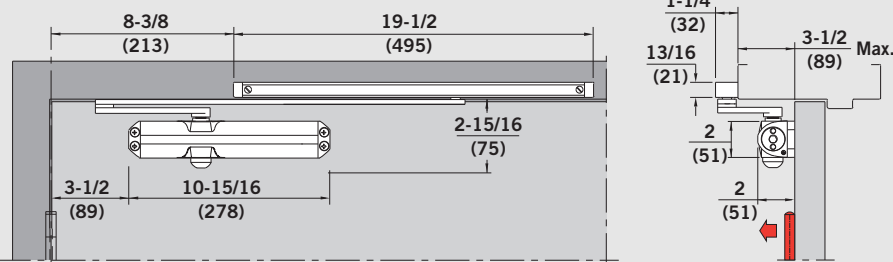


Size Selection Chart

CLOSER	INTERIOR/ EXTERIOR	DOOR WIDTH				TEMPLATE REFERENCE	DIM "A"	DIM "B"	CUSHION	MAXIMUM HOLD OPEN	APPROX. BACKCHECK	APPROX. DELAYED ACTION	MINIMUM DOOR WIDTH
		2'-6" min.	3'-0" max.	3'-6" max.	4'-0" max.								
7436	INTERIOR	•	•	•	N/A	85°	4-7/8" (124)	6-3/8" (162)	85°	82°	60°-85°	85°-60°	29"
	EXTERIOR	•	•	N/A	N/A	90°	4-3/8" (111)	6-1/16" (154)	90°	87°	65°-90°	90°-65°	28"
						110°	3-3/8" (86)	4-3/4" (121)	110°	105°	75°-110°	110°-75°	26"
						140°	2-3/8" (60)	4" (102)	135°	125°	85°-135°	135°-85°	25"

Track Double Egress - Pull Side Frame Mounted

7436 TDE
7436 TDEH



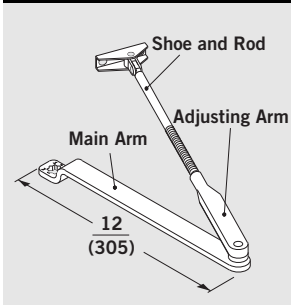
4-1/2" x 4-1/2" Butt Hinges

Minimum door rail for mounting closer 2-11/16".
Minimum door rail to bottom of slim plastic cover 2-13/16".
Minimum door rail to bottom of full cover 3-13/16"
Arm requires a minimum 3-3/4" clearance between door face and wall when opening 90° and greater.



Size Selection Chart

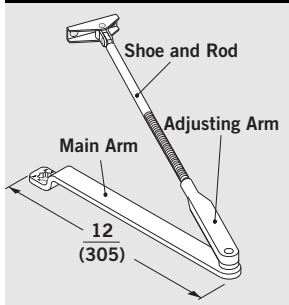
CLOSER	INTERIOR/ EXTERIOR	DOOR WIDTH				TEMPLATE REFERENCE	CUSHION	MAXIMUM HOLD OPEN	APPROX. BACKCHECK	APPROX. DELAYED ACTION	MINIMUM DOOR WIDTH
		2'-6" min.	3'-0" max.	3'-6" max.	4'-0" max.						
7436	INTERIOR	•	•	•	N/A	117°	117°	110°	70°-117°	117°-70°	28"
	EXTERIOR	•	•	N/A	N/A						

Round Form Arm (8 mm rod)

AR — Complete Arm Assembly (0"-4" [0 mm–102 mm] reveal) with 8 mm rod. Arm is non-handed.

ARP — Parallel round form arm complete (Tri-Pack) (0"-4" [0 mm–102 mm] reveal). P86 included.

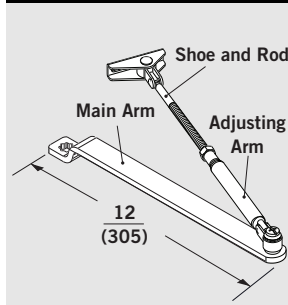
AMR04 — Regular non-hold open main arm and adjusting arm. Accepts 8 mm rod.

Round Form Arm (10 mm rod)

ARJ — Complete Arm Assembly (4"-8" [102 mm–203 mm] reveal) with 10 mm rod.

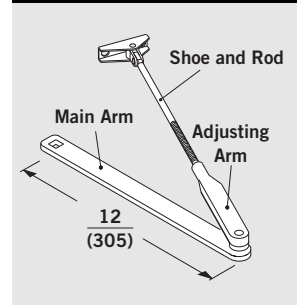
Designed specifically for top jamb applications with deeper reveals. Arm is non-handed.

AMR48 — Regular non-hold open main arm and adjusting arm. Accepts 10 mm rod.

Round Form Arm (8 mm rod)

A08 — Complete secured elbow arm non-hold open assembly (0"-4" [0 mm–102 mm] reveal) with 8 mm rod. Optional arm with 7400 Series closers. Arm is non-handed.

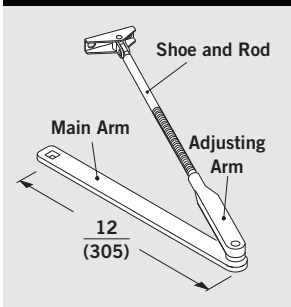
A08P — Parallel round form arm secured elbow non-hold open complete (Tri-Pack) (0"-4" [0 mm–102 mm] reveal). P86 included.

Narrow Profile Arm (8 mm)

ARNP — Complete arm assembly. Regular or top jamb mount. Permits installation on 1" (25 mm) frame face for regular mount with maximum pull-side reveal of 1/8" (3 mm). Can also be used top jamb (0"-4" [0 mm–102 mm] reveal) for narrow top door rails. Arm is non-handed.

ARNPP — Complete arm assembly for parallel arm mount (Tri-Pack). (0"-4" [0 mm–102 mm] reveal). P86 included.

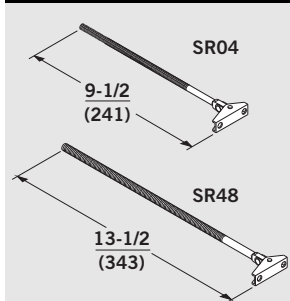
AMR04NP — Narrow profile main arm and adjusting arm. Used in conjunction with SR04 shoe and rod. Uses 8 mm rod.

Narrow Profile Arm (10 mm)

ARNPJ — Complete arm assembly for top jamb installations (4"-8" [102 mm–203 mm] reveal) for narrow top door rails. Arm is non-handed.

AMR48NP — Narrow profile main arm and adjusting arm. Used in conjunction with SR48 shoe and rod. Uses 10 mm rod.

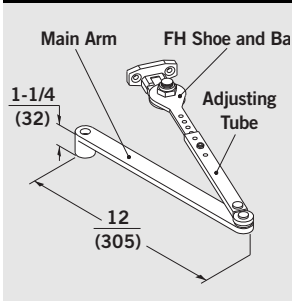
Regular Arm Shoe and Rod



SR04 (8 mm Rod Diameter) — 0"–4" (0 mm–102 mm) reveal. Shoe and rod only.

SR48 (10 mm Rod Diameter) — 4"–8" (102 mm–203 mm) reveal. Shoe and rod only. SR04 has an 8 mm rod and must be used in conjunction with main arm and adjusting arm AMR04. The SR48 has a 10 mm rod and must be used with main arm and adjusting arm AMR48. Non-handed.

Friction Hold Open Arm



Provides a hold open function between approximately 90° and 180° of door opening (conditions permitting). Arm is non-handed.

FH — Friction hold open arm complete (0"–4" [0 mm–102 mm] reveal).

FHJ — Friction hold open arm complete (4"–8" [102 mm–203 mm] reveal).

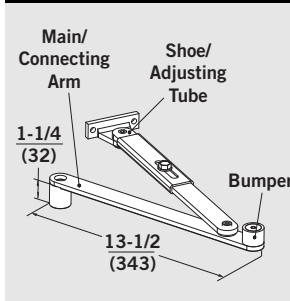
FHP — Friction hold open arm complete (Tri-Pack) (0"–4" [0 mm–102 mm] reveal). PHB included.

FHM04 — Friction hold open main arm and adjusting tube (0"–4" [0 mm–102 mm] reveal).

FHM48 — Friction hold open main arm and adjusting tube (4"–8" [102 mm–203 mm] reveal).

FHSB — Friction hold open shoe and bar.

Cushion IS Arm



Provides a cushioned opening function for regular and top jamb applications at 85°, 90°, 95°, 100°, 105°, and 110°. Arm is non-handed.

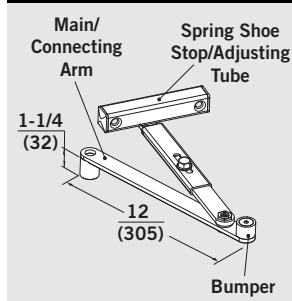
IS — Cushion IS arm complete (0"–3-1/2" [0 mm–89 mm] reveal).

ISJ — Cushion IS top jamb arm complete (3-1/2"–6-1/2" [89 mm–165 mm] reveal).

ISH — Cushion IS hold open arm complete (0"–3-1/2" [0 mm–89 mm] reveal).

ISJH — Cushion IS top jamb hold open arm complete. (3-1/2"–6-1/2" [89 mm–165 mm] reveal).

Spring Stop IS Arm



Provides a spring assisted dead stop function for regular and top jamb applications at 85°, 90°, 100°, and 110°. Arm is non-handed.

SIS — Spring stop IS arm complete (0"–3-1/2" [0 mm–89 mm] reveal).

SISH — Spring stop IS hold open arm complete (0"–3-1/2" [0 mm–89 mm] reveal).

SISJ — Spring stop IS top jamb arm complete (3-1/2"–6-1/2" [89 mm–165 mm] reveal).

SISJH — Spring stop IS top jamb hold open arm complete (3-1/2"–6-1/2" [89 mm–165 mm] reveal).

Cushion IS/Spring Stop IS Arm Accessories

SISM — Cushion IS/spring stop IS main arm and connecting arm. (0"–3-1/2" [0 mm–89 mm] reveal).

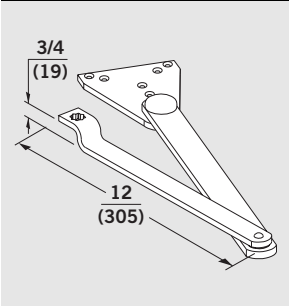
SISJM — Cushion IS/spring stop IS top jamb main arm and connecting arm. (3-1/2"–6-1/2" [89 mm–165 mm] reveal).

ISSB — Cushion IS spring shoe stop and adjusting tube.

BUMPER IS — Cushion IS/spring stop IS urethane bumper.

S-SPRING IS — Spring shoe stop assembly complete.

Super Parallel Arm

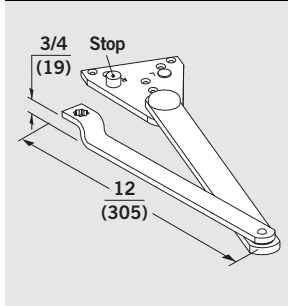


Heavy-duty parallel arm. Available in non-hold open and thumb turn hold open. Units can be installed for maximum opening of 100° or 180°. Hold open units will hold open at 90° or 125°. Maximum opening is 180° (conditions permitting). Arm is non-handed. Non-hold open arm illustrated.

SPA — Super parallel arm non-hold open.

SPAT — Super parallel arm thumb turn hold open.

Door Saver Arm



Heavy-duty parallel arm with integral cushioned opening function. Available in non-hold open, thumb turn hold open, and hex key turn hold open. Units can be installed to achieve either stop or stop and hold open at 85°, 90°, 100°, and 110°. Maximum opening is 110° (conditions permitting). Arm is non-handed. Non-hold open arm illustrated.

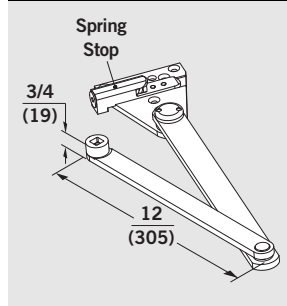
DS — Door saver arm non-hold open.

DST — Door saver arm thumb turn hold open.

DSK — Door saver arm hex key turn hold open.

BUMPER DS — Door saver bumper.

Spring Stop Door Saver Arm



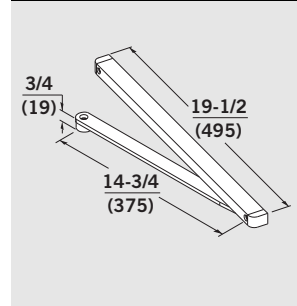
Heavy-duty parallel arm with spring assisted dead stop function. Available in non-hold open and thumb turn hold open. Units can be installed to achieve either stop at 85°, 90°, 100°, and 110° or stop and hold open function. Maximum opening is 110° (conditions permitting). Arm is non-handed. Non-hold open arm illustrated.

SDS — Spring stop door saver arm.

SDST — Spring stop door saver arm thumb turn hold open.

S-SPRING DS — Spring stop assembly complete.

Track Arm

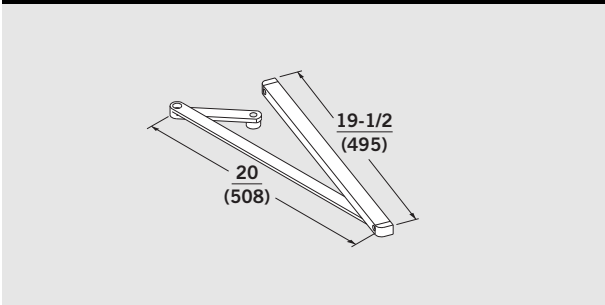


Provides slide track function for improved aesthetics and vandal resistance. Units can be installed to provide 85°, 90°, 110°, or 180° of door opening (conditions and application permitting). Arm is non-handed.

T — Track arm complete. Can be used on pull-side T applications (closer on door, track on frame) and JT applications (track on frame, closer on door). Can also be used with FT flush transom applications (closer on transom, track on door).

TH — Track hold open arm complete. Can be used in same applications as T arm. Range of hold open and maximum opening varies with mounting application.

TDE Track Arm



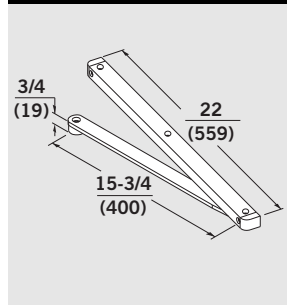
Provides slide track function for pull-side reveal conditions up to 3-1/2". Provides 117° of door opening (conditions permitting). Arm is handed. Also available with hold open option to provide selective single point hold open between 30° and 110°.

Arm requires a minimum 3-3/4" clearance between door face and wall when opened 90° and greater.

TDE — Double egress track arm complete.

TDEH — Double egress hold open track arm complete.

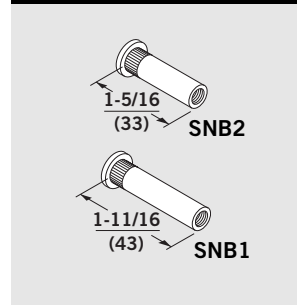
Push Side Track Arm



PT86 — Push-side track arm complete. Used with PT track applications (closer on door, track on soffit).

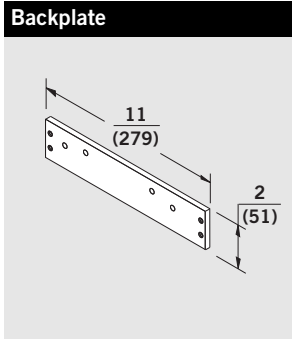
PT86H — Push-side track hold open arm complete. Used with PT track applications (closer on door, track on soffit).

Sex Nuts

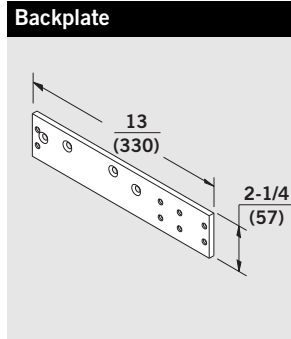


SNB1 — Sex nuts with machine screws for 1-3/4" (44 mm) door.

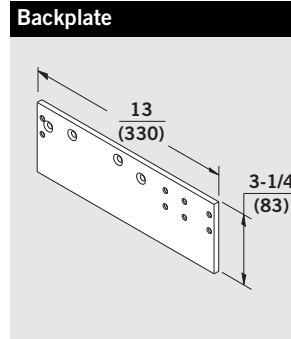
SNB2 — Sex nuts with machine screws for 1-3/8" (35 mm) door. Required for use on unreinforced doors and wood or composite labeled fire doors for securely attaching hardware to the door.



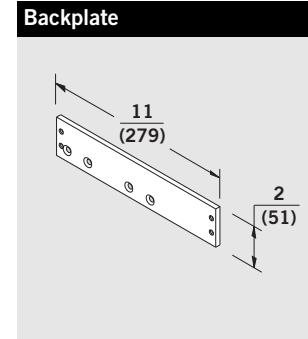
BP74 — For top jamb mount when overhead ceiling clearance is less than 2-1/4" (57 mm). Can also be used for regular mount to clear a mortised overhead stop/holder.



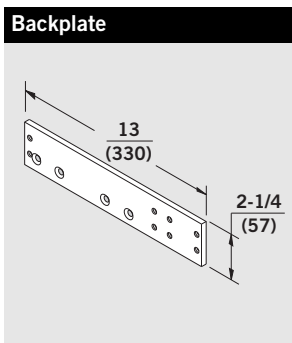
BP86 — For top jamb mount with slim plastic cover when overhead ceiling clearance is less than 2-1/4" (57 mm). Can also be used for regular mount to clear a mortised overhead stop/holder.



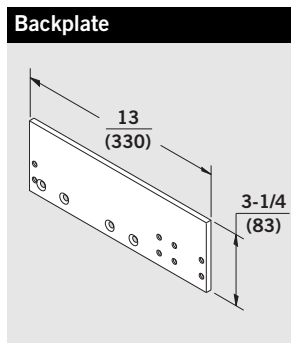
BP86FC — For top jamb mount with full plastic cover when overhead ceiling clearance is less than 2-1/4" (57 mm). Can also be used for regular mount to clear a mortised overhead stop/holder.



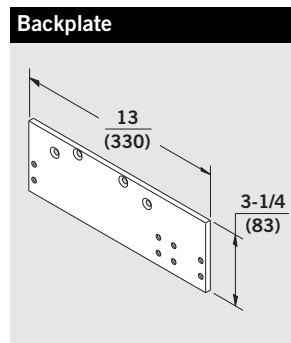
BP74T — For use with pull-side track applications (closer on frame face, track on door) to permit installation on a standard 2" (51 mm) frame face.



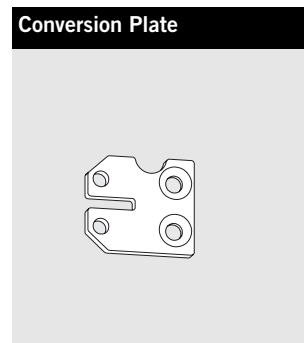
BP86T — For use with pull-side track applications (closer on frame face, track on door) with slim plastic cover to permit installation on a standard 2" (51 mm) frame face.



BP86TFC — For use with pull-side track applications with full cover (closer on frame face, track on door) to permit installation on a standard 2" (51 mm) frame face.

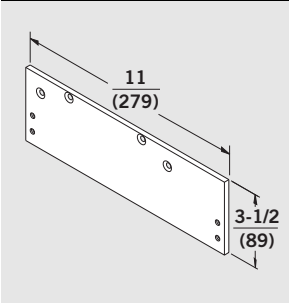


BP86FTFC — Required for track mount with full cover when being used on a flush transom (closer on transom, track on door). Mounting holes in the plate avoid rabbet on door.



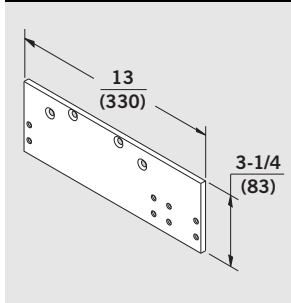
BP640C — For regular, top jamb, or parallel arm mounts. Permits replacement of existing 642-646/641/640 Series closers with 7400 Series closers. Eliminates the need to remachine the door and frame. Totally concealed when installed. Allows installation of 7400 to retrofit into any closer with a 9-1/16" x 3/4" hole pattern.

Drop Plate



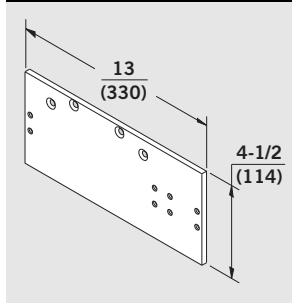
DP74 — For top jamb mount to clear a surface applied stop/holder. Overhead ceiling clearance must be 1-3/4" (44 mm) or more. Permits parallel arm installation with minimum top door rail of 2-1/2" (64 mm) for non-hold open, 2-3/4" (70 mm) for friction hold open applications (assuming 5/8" [16 mm] stop dimension).

Drop Plate



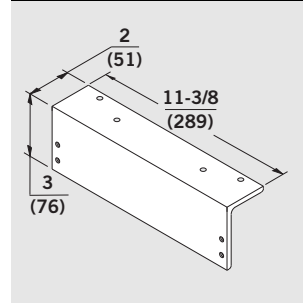
DP86 — For top jamb mount with slim plastic cover to clear a surface applied stop/holder. Overhead ceiling clearance must be 1-3/4" (44 mm) or more. Permits parallel arm installation with minimum top door rail of 2-1/2" (64 mm) for non-hold open, 2-3/4" (70 mm) for friction hold open applications (assuming 5/8" [16 mm] stop dimension).

Drop Plate



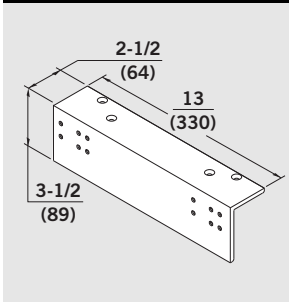
DP86FC — For top jamb mount with full plastic cover to clear a surface applied stop/holder. Overhead ceiling clearance must be 1-3/4" (44 mm) or more. Permits parallel arm installation with minimum top door rail of 2-1/2" (64 mm) for non-hold open, 2-3/4" (70 mm) for friction hold open applications (assuming 5/8" [16 mm] stop dimension).

Angle Bracket



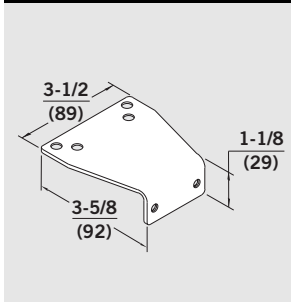
AB74 — For installation of closers where parallel arm and top jamb applications are not practical due to low overhead ceiling clearance, narrow frame face or unusual trim conditions. This bracket can also be used to provide clearance for a surface-applied stop/holder.

Angle Bracket



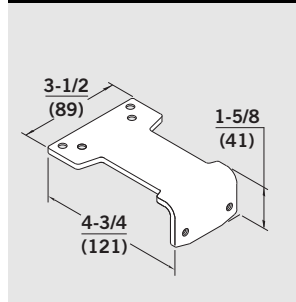
AB86 — For installation of closers using a slim or full plastic cover. Used where parallel arm and top jamb applications are not practical due to low overhead ceiling clearance, narrow frame face or unusual trim conditions. This bracket can also be used to provide clearance for a surface-applied stop/holder.

Parallel Arm Bracket



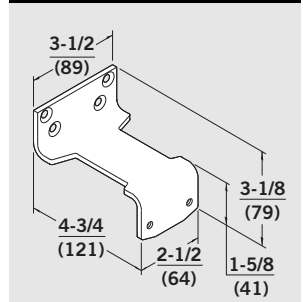
P86 — Furnished standard with 7400 Series non-hold open parallel arm applications.

Parallel Hold Open Bracket



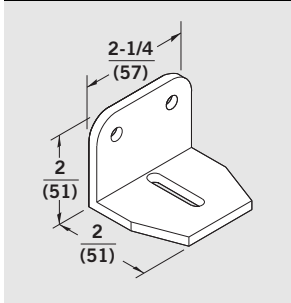
PHB — Furnished standard with 7400 Series friction hold open parallel arm applications.

Parallel Flush Transom Bracket



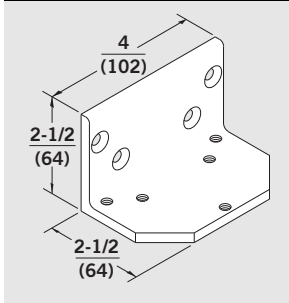
PFT — For all 7400 Series closer hold open and non-hold open parallel arm applications where flush transom conditions prohibit use of P86 or PHB bracket.

Narrow Frame Bracket



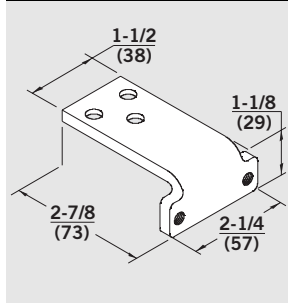
NFHD — For use with all DS and SPA applications where total frame depth is less than 4-1/2" (114 mm), prohibiting use of standard spacer block. NFHD bracket is used in lieu of block supplied with arm.

Flush Transom Bracket



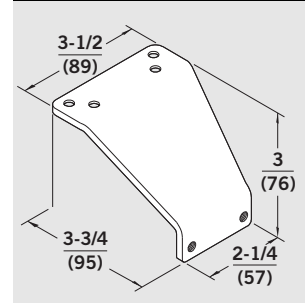
FTHD — For use with all DS and SPA applications where flush transom conditions prohibit normal installation of soffit bracket.

Mortised Jamb Bracket



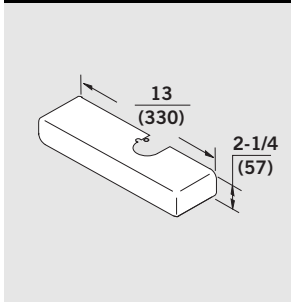
MJ — For 7400 Series closers with regular mount non-hold open assemblies, where frame conditions will not permit use of the standard foot, e.g. molded or ornate trim. Permits use of parallel arm application between twin communicating doors where limited space prohibits use of the wider P86 bracket.

Parallel Drop Bracket



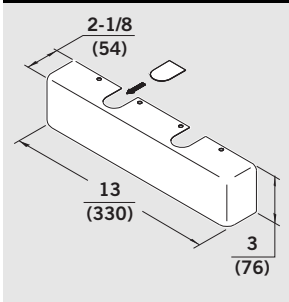
PD — For 7400 Series closer non-hold open parallel arm applications to clear a surface-applied stop/holder.

Slim Plastic Cover



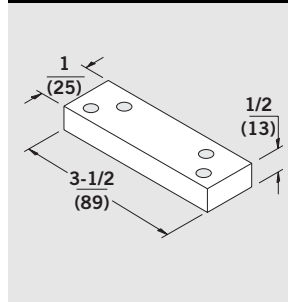
COV — Optional slim plastic cover.

Full Plastic Cover



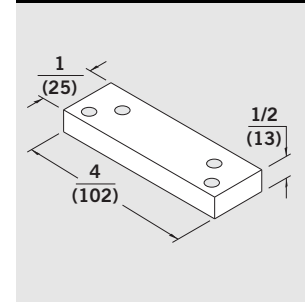
FC — Optional full plastic cover with interchangeable tab. Closers are prepared to accept FC covers only when specified with initial closer order.

Blade Stop Spacer



BS — For use with all 7400 Series P86, PD, and PHB applications installed on cased frames with applied blade stops. This block is used to provide adequate clearance for the blade stop.

Heavy-Duty Blade Stop Spacer



BSHD — For use with all 7400 Series DS and SPA applications installed on cased frames with applied blade stops. This block is used in conjunction with the spacer furnished with the arm to provide adequate clearance for the blade stop.



DORMA Americas
www.dorma-usa.com

DORMA Architectural Hardware
DORMA Drive, Drawer AC
Reamstown, PA 17567-0411
Telephone: (800) 523-8483
Facsimile: (800) 274-9724
E-mail: archdw@dorma-usa.com

DORMA Canada
1680 Courtney Park Drive, Unit 13
Mississauga, Ontario L5T 1R4
Telephone: (800) 387-4938
Facsimile: (905) 670-5850
E-mail: sales@dormacanada.com

DORMA Mexico, S. de R.L. de C.V.
Astrónomos 28, Col. Escandón
México, D.F. 11800
Del. Miguel Hidalgo
Telephone: (52+55) 5272-6937
Facsimile: (52+55) 5272-6948
E-mail: operacion@dorma.com.mx