

# 7300

Surface Applied  
Door Closers



# 7300 series surface closers

**3** Technical Details and Specifications

**4** How to order

## Technical Drawings

### Regular mount

**5** x round form arm

**5** x friction hold open

**6** x heavy-duty cushion arm

**6** x extra heavy-duty spring cushion arm

### Top jamb mount

**7** x round form arm

**7** x friction hold open

**8** x heavy-duty cushion arm

**8** x extra heavy-duty spring cushion arm

### Parallel mount

**9** x round form arm

**9** x friction hold open

**10** Heavy-duty super parallel arm

**10** x heavy-duty door saver cushion arm

**11** x extra heavy-duty door saver spring cushion arm

### Track mount

**11** x pull side door mounted

**12** x pull side frame mounted

**12** x push side soffit mounted

**13** x flush push side door mounted

DORMA USA quality and environmental management systems in Reamstown, PA and Steeleville, IL are certified to ISO 9001:2008 and ISO 14001:2004.



## Accessories

**12** Round form arm (8 mm)

**12** Round form arm (10 mm)

**12** Round form arm (secured elbow) (8 mm rod)

**12** Regular arm shoe and rod

**13** Narrow profile arm (8 mm)

**13** Narrow profile arm (10 mm)

**13** Friction hold open arm

**13** Heavy-duty cushion arm

**14** Extra heavy-duty spring cushion arm

**14** Heavy-duty super parallel arm

**14** Heavy-duty door saver cushion arm

**14** Extra heavy-duty door saver spring cushion arm

**14** Cushion/spring cushion arm accessories

**15** Track arm

**15** Push side track arm

**15** BP73 backplate

**15** BP86 backplate

**15** BP86T backplate

**15** BP600C conversion plate

**15** DP73 drop plate

**16** DP86 drop plate

**16** AB73 angle bracket

**16** AB86 angle bracket

**16** P86 Parallel arm bracket

**16** Parallel hold open bracket

**16** Parallel flush transom bracket

**16** Narrow frame bracket

**16** Flush transom bracket

**17** Mortised jamb bracket

**17** Parallel drop bracket

**17** Blade stop spacer

**17** Heavy-duty blade stop spacer

**17** Slim plastic cover

**17** Sex nuts

**The 7300 Series closers offer modern styling for a new era of safe and reliable door control.**

The 7300 Series offers a compact design and is available in an assortment of sprayed finishes to complement any opening's decor. These features, along with numerous installation options and fixed spring sizes, make this closer an ideal solution in a variety of applications

**Technical details**

- Fixed spring sizes 3, 4, and 5.
- Non-handed for regular, top jamb, and parallel arm applications.
- Quick and easy to install.
- Compact design.
- Two noncritical adjusting valves (sweep and latch) work to provide consistent closing speeds under a wide variety of temperatures.
- Adjustable backcheck provides cushioning when the door is abusively opened.

- Available with optional self-drilling screws for steel door and frame applications (DPK86).
- Available with optional self-tapping screws for aluminum door and frame applications (TPK86).

**Certification**

- ANSI/BHMA A156.4 Grade 1 certified.
- UL and CUL listed.
- Meets UL10C for positive pressure.
- CSFM approved.



**Specification**

All closers shall be DORMA 7300 Series hydraulic surface applied rack and pinion closers. The closer has two independent valves to separately control sweep and latch closing speeds and provide constant speeds when temperatures change. Standard with backcheck to provide cushioning effect in opening.

**Optional specification**

All 7300 closers to have slim plastic cover (COV). Closers to have arm with a selective single point hold open between 80°–170° for regular mount (FH) and 70°–175° for parallel arm mount (specify FHP). All 7300 closers to have parallel arm bracket for non-hold open parallel arm applications (P86). All closers to have sex nuts with machine screws for 1-3/4" door (SNB1) or 1-3/8" door (SNB2). Closers to have self-drilling screws for steel doors and frames (DPK86). Closers to have self-tapping screws for aluminum doors and frames (TPK86). Closers to have TORX security for all exposed fasteners (TX86).

**Finishes**

- Aluminum: 689
- Bronze: 691 (Dull), 690 (Statuary), or 695 (Dark Duranodic)
- Gold: 696
- Black: 693

For optional custom color or Designer Color Finishes Contact Customer Service.

**Warranty**

For details, refer to Limited Warranty on our website at [go.dormakaba.com/Terms-DA](http://go.dormakaba.com/Terms-DA)

Features	7303–7305
Fixed spring sizes	3, 4, 5
Non-handed	●
Parallel arm bracket	○
Controlled closing with two adjustment valves	180°–10° 10°–0°
Backcheck	●
Hold open	○
Self-drilling screws (DPK)	○
Self-tapping screws (TPK)	○
Tamper-resistant TORX screws	○
Slim plastic cover	○

● yes    - no    ○ optional

# How to order 7300 Series

## Finish

<b>PNT</b>	Special Sprayed Finish (must specify)
<b>696</b>	Gold
<b>695</b>	Dark Duranodic Bronze
<b>693</b>	Black
<b>691</b>	Dull Bronze
<b>690</b>	Statuary Bronze
<b>689</b>	Aluminum
<b>600</b>	Primed

## Spring Size

<b>05</b>	ANSI Size 5
<b>04</b>	ANSI Size 4
<b>03</b>	ANSI Size 3

## Cover

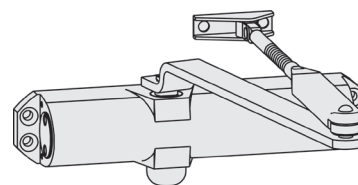
<b>COV</b>	Slim Cover
	No Cover

Series **7300**

<b>73</b>	<b>04</b>	<b>AR</b>		<b>COMBO</b>	<b>689</b>
-----------	-----------	-----------	--	--------------	------------

Round Arm Non-Hold Open, Tri-Pack	<b>ARP</b>	<b>COMBO</b>	Default Fastener Pack
Round Arm Non-Hold Open, TJ 4"-8" Reveal	<b>ARJ</b>	<b>SNB1</b>	Sex Nuts and Machine Screws, 1-3/4"
Round Arm Non-Hold Open, Reg./TJ 0"-4" Reveal	<b>AR</b>	<b>SNB2</b>	Sex Nuts and Machine Screws, 1-3/8"
Round Arm Secure Non-Hold Open, Tri-Pack	<b>AO8P</b>	<b>DPK86</b>	Self-Drilling
Round Arm Secure Non-Hold Open, Reg./TJ 0"-4" Reveal	<b>AO8</b>	<b>CMBDPK</b>	Std. and Self-Drilling
Friction Hold Open, Tri-Pack	<b>FHP</b>	<b>TPK86</b>	Self-Tapping
Friction Hold Open, TJ 4"-8" Reveal	<b>FHJ</b>	<b>CMBTPK</b>	Std. and Self-Tapping
Friction Hold Open, Reg./TJ 0"-4" Reveal	<b>FH</b>	<b>TX86</b>	Torx Security Pack
Heavy-duty Door Saver Cushion, Parallel	<b>DS</b>	<b>AWS</b>	All Wood Screws
Heavy-duty Door Saver Cushion Thumb Turn Hold Open, Parallel	<b>DST</b>		
Extra Heavy-duty Door Saver Spring Cushion, Parallel	<b>SDS</b>		
Extra Heavy-duty Door Saver Spring Cushion Thumb Turn Hold Open, Parallel	<b>SDST</b>		
Heavy-duty Cushion, Reg./TJ 0"-3-1/2" Reveal	<b>IS</b>		
	<b>ISH</b>		Heavy-duty Cushion Hold Open, Reg./TJ 0"-3-1/2" Reveal
Extra Heavy-duty Spring Cushion Reg./TJ 0"-3-1/2" Reveal	<b>SIS</b>		
	<b>SISH</b>		Extra Heavy-duty Spring Cushion Hold Open, Reg./TJ 0"-3-1/2" Reveal
Heavy-duty Cushion, Top Jamb 3-1/2"-6-1/2" Reveal	<b>ISJ</b>		
	<b>ISJH</b>		Heavy-duty Cushion Hold Open, Top Jamb 3-1/2"-6-1/2" Reveal
Extra Heavy-duty Spring Cushion, Top Jamb 3-1/2"-6-1/2" Reveal	<b>SISJ</b>		
	<b>SISJH</b>		Extra Heavy-duty Spring Cushion Hold Open, Top Jamb 3-1/2"-6-1/2" Reveal
Super Parallel	<b>SPA</b>		
Super Parallel Thumb Turn Hold Open	<b>SPAT</b>		
Track, Pull Side Door Mounted	<b>T</b>		
Jamb Track, Pull Side Frame Face Mounted	<b>JT</b>		
Push Track, Push Side Soffit Mounted	<b>PT</b>		
Flush Track, Push Side Transom Mounted	<b>FT</b>		
Track Hold Open, Pull Side Door Mounted	<b>TH</b>		
	<b>JTH</b>		Jamb Track Hold Open, Pull Side Frame Face Mounted
Push Track Hold Open, Push Side Soffit Mounted	<b>PTH</b>		
	<b>FTH</b>		Flush Track Hold Open, Pull Side Frame Face Mounted

## Fastener Pack



## NOTES:

- All combinations of features and options are not available for all models.
- To simplify initial installation, a range of back plates (BPxx), drop plates (DPxx), brackets, and spacers are available. Refer to Accessories section for details.

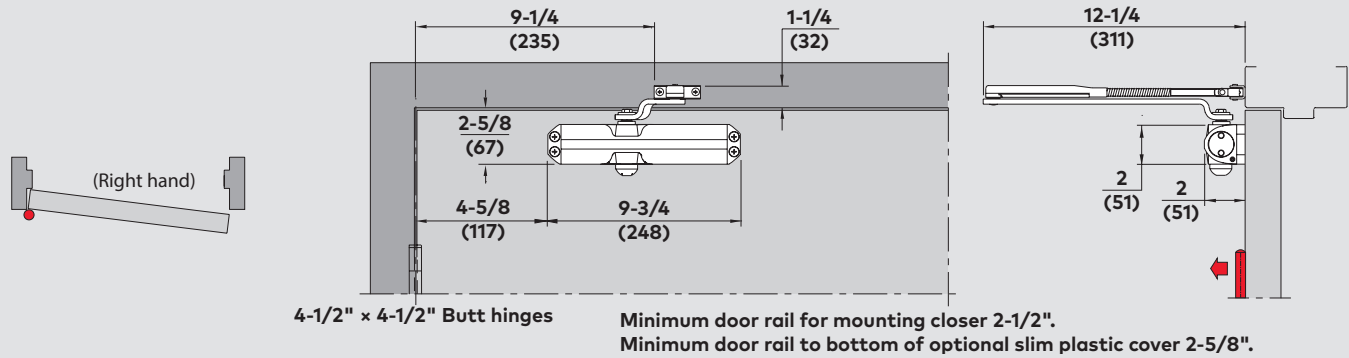
## Arm Type

**Technical Drawing Symbols & Notes**

- – Recommended application
- N/A – Not applicable/application not recommended

# Regular × Round Form Arm

7303-7305 AR  
7303-7305 AO8

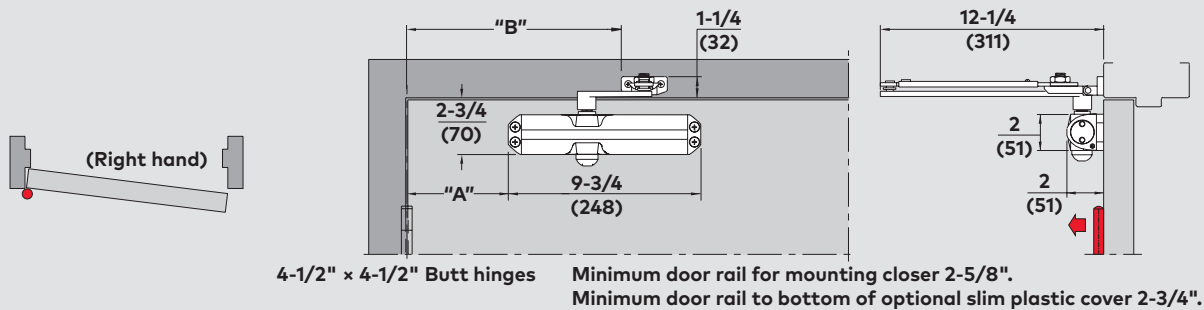


**Size Selection Chart**

Closer	Interior/ Exterior	Door Width					Approximate Maximum Opening	Approximate Backcheck
		2'-0" min.	2'-6" max.	3'-0" max.	3'-6" max.	4'-0" max.		
7303-	Interior	N/A	N/A	7303	7304	7305	180°	65°-180°
7305	Exterior	N/A	7303	7304	7305	N/A		

# Regular × Friction Hold Open

7303-7305 FH

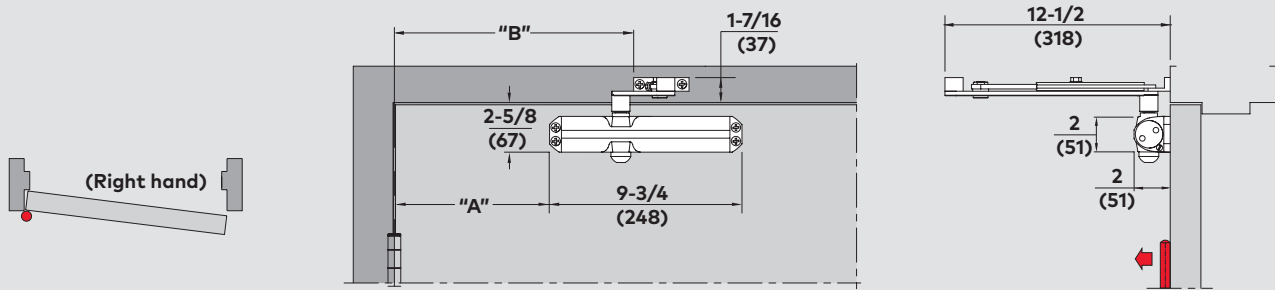


**Size Selection Chart**

Closer	Interior/ Exterior	Door Width					Template Ref.	Dim "A"	Dim "B"	Approximate Maximum Opening	Approximate Backcheck	Min. Hold Open	Max. Hold Open
		2'-0" min.	2'-6" max.	3'-0" max.	3'-6" max.	4'-0" max.							
7303-	Interior	N/A	N/A	7303	7304	7305	To 100°	7-1/8" (181)	12-5/8" (321)	110°	65°-110°	80°	110°
7305	Exterior	N/A	7303	7304	7305	N/A	To 120°	6-1/8" (155)	11-5/8" (295)	125°	70°-125°	90°	125°
							Over 100°	3-5/8" (92)	9-1/8" (232)	180°	85°-180°	100°	170°

# Regular × heavy-duty cushion arm

7303-7305 IS/ISH



4-1/2" × 4-1/2" Butt hinges

Minimum door rail for mounting closer 2".  
Minimum door rail to bottom of slim plastic cover 2-5/8".

**Size selection chart**

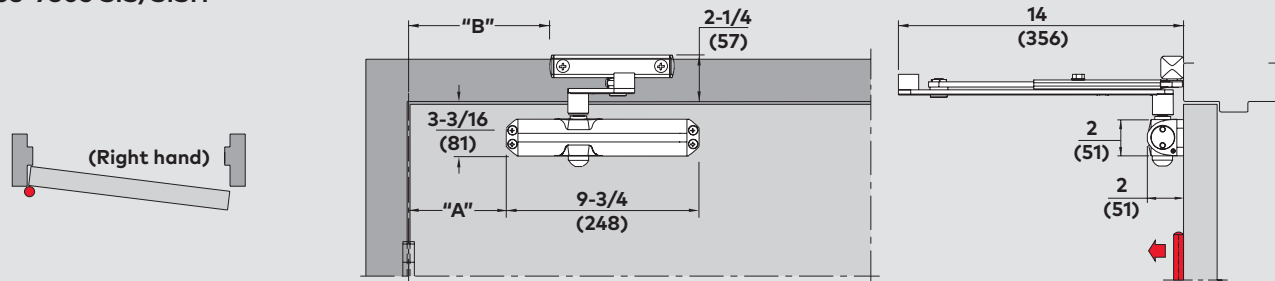
Closer	Interior/ exterior	Door width				
		2'-0" min.	2'-6" max.	3'-0" max.	3'-6" max.	4'-0" max.
7303- 7305	Interior	N/A	N/A	7303	7304	7305
	Exterior	N/A	7303	7304	7305	N/A

Maximum opening	Dim "A"	Dim "B"	Approximate backcheck
85°	7-11/16" (195)	13-7/8" (352)	55°-85°
90°	7" (178)	13-1/2" (343)	60°-90°
95°	6-3/16" (157)	13-1/4" (337)	65°-95°
100°	6-1/8" (156)	12-5/8" (321)	70°-100°
105°	5-11/16" (144)	12-1/4" (311)	75°-105°
110°	5-1/4" (133)	11-7/8" (302)	75°-110°

\* Hold open is approximately 5°-7° less than the maximum opening listed in the chart.

# Regular × extra heavy-duty spring cushion arm

7303-7305 SIS/SISH



4-1/2" × 4-1/2" Butt hinges

Minimum door rail for mounting closer 2-1/2".  
Minimum door rail to bottom of slim plastic cover 2-5/8".

**Size selection chart**

Closer	Interior/ exterior	Door width				
		2'-0" min.	2'-6" max.	3'-0" max.	3'-6" max.	4'-0" max.
7303- 7305	Interior	N/A	N/A	7303	7304	7305
	Exterior	N/A	7303	7304	7305	N/A

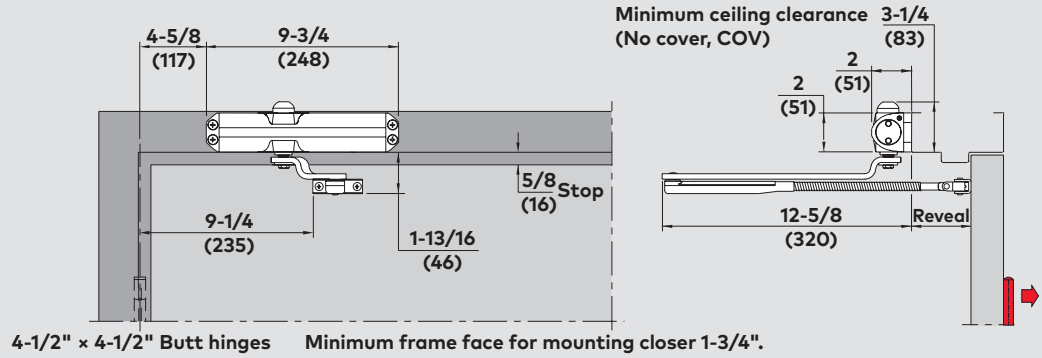
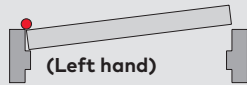
Maximum opening	Dim "A"	Dim "B"	Approximate backcheck
85°	9" (229)	11-9/16" (294)	55°-85°
90°	8-1/2" (215)	11-1/16" (281)	60°-90°
100°	7-1/2" (191)	10-1/16" (256)	70°-100°
110°	6-3/4" (172)	9-5/16" (237)	75°-110°

\* Hold open is approximately 5°-7° less than the maximum opening listed in the chart.

# Top jamb × round form arm

7303-7305 ARJ  
(>4" to 8" reveal)  
7303-7305 AR  
(≤4" reveal)  
7303-7305 AO8\*  
(≤4" reveal)

\*Offers articulation flexibility for applications such as cam lift hinges



Size selection chart

Closer	Interior/ exterior	Door width				
		2'-0" min.	2'-6" max.	3'-0" max.	3'-6" max.	4'-0" max.
7303-7305	Interior	N/A	N/A	7303	7304	7305
	Exterior	N/A	7303	7304	7305	N/A

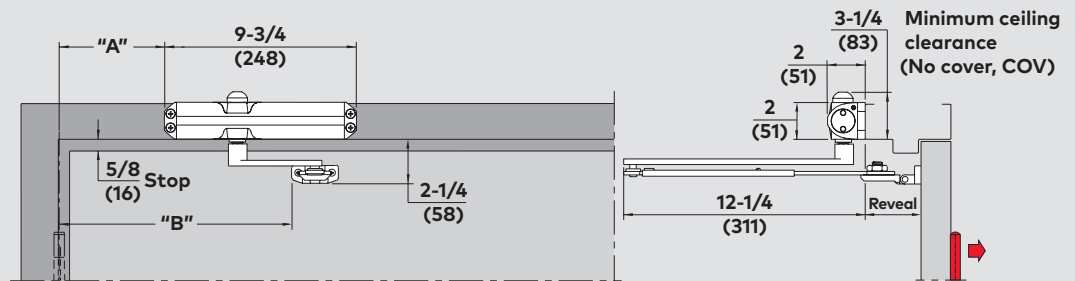
Template ref.	Reveal	Arm	Approximate maximum opening	Approximate backcheck
To 180°	0"	AR	180°	70°-180°
	4"	AR	180°	75°-180°
	>4"	<b>ARJ</b>	<b>180°</b>	<b>75°-180°</b>
	8"	<b>ARJ</b>	<b>165°</b>	<b>80-165°</b>

NOTE: bold type shows supplied arm

# Top jamb × friction hold open

7303-7305 FHJ  
(>4" to 8" reveal)

NOTE: use FH for reveal ≤4



Size selection chart

Closer	Interior/ exterior	Door width				
		2'-0" min.	2'-6" max.	3'-0" max.	3'-6" max.	4'-0" max.
7303-7305	Interior	N/A	N/A	7303	7304	7305
	Exterior	N/A	7303	7304	7305	N/A

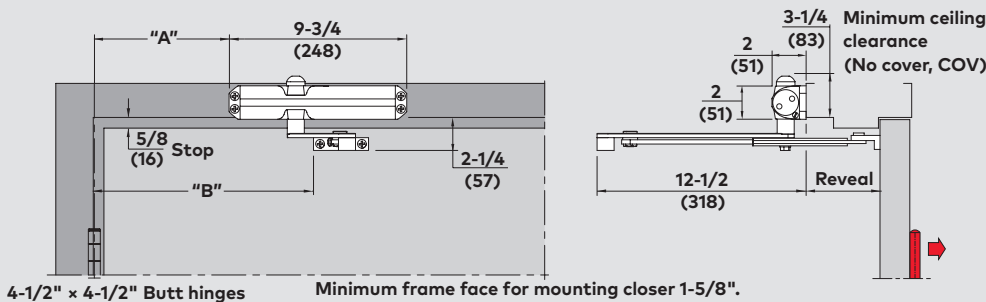
Template ref.	Dim "A"	Dim "B"	Reveal	Arm	Approximate maximum opening	Approximate backcheck	Min. hold open	Max. hold open
To 100°	7-5/8" (181)	13-1/8" (333)	0"	FH	110°	70°-110°	70°	105°
			4"	FH	105°	75°-105°	70°	100°
			>4"	<b>FHJ</b>	<b>105°</b>	<b>75°-105°</b>	<b>70°</b>	<b>100°</b>
			8"	<b>FHJ</b>	<b>100°</b>	<b>80°-100°</b>	<b>70°</b>	<b>95°</b>
To 120°	6-1/8" (155)	11-5/8" (295)	0"	FH	125°	75°-125°	75°	120°
			4"	FH	120°	80°-120°	75°	115°
			>4"	<b>FHJ</b>	<b>120°</b>	<b>80°-120°</b>	<b>75°</b>	<b>115°</b>
			8"	<b>FHJ</b>	<b>115°</b>	<b>85°-115°</b>	<b>75°</b>	<b>110°</b>
Over 120°	3-5/8" (92)	9-1/8" (232)	0"	FH	180°	85°-180°	80°	170°
			4"	FH	180°	90°-180°	80°	170°
			>4"	<b>FHJ</b>	<b>180°</b>	<b>90°-180°</b>	<b>80°</b>	<b>170°</b>
			8"	<b>FHJ</b>	<b>165°</b>	<b>100°-165°</b>	<b>80°</b>	<b>155°</b>

NOTE: bold type shows supplied arm

# Top jamb x heavy-duty cushion arm

7303-7305 ISJ/ISJH  
(>3-1/2" to 6-1/2" reveal)

NOTE: Use IS for reveal ≤3-1/2"



*Maximum opening	Dim "A"	Dim "B"	Reveal	Arm	Approximate backcheck
85°	6-1/2" (165)	12-5/8" (321)	0" - 3-1/2" <b>&gt;3-1/2" - 6-1/2"</b>	IS <b>ISJ</b>	55°-85° <b>55°-85°</b>
90°	5-3/4" (146)	12-1/8" (308)	0" - 3-1/2" <b>&gt;3-1/2" - 6-1/2"</b>	IS <b>ISJ</b>	60°-90° <b>60°-90°</b>
95°	5-1/2" (140)	11-3/4" (298)	0" - 3-1/2" <b>&gt;3-1/2" - 6-1/2"</b>	IS <b>ISJ</b>	65°-95° <b>65°-95°</b>
100°	5-1/4" (133)	11-1/4" (286)	0" - 3-1/2" <b>&gt;3-1/2" - 6-1/2"</b>	IS <b>ISJ</b>	70°-100° <b>70°-100°</b>
105°	5" (127)	11" (279)	0" - 3-1/2" <b>&gt;3-1/2" - 6-1/2"</b>	IS <b>ISJ</b>	75°-105° <b>75°-105°</b>
110°	4-3/4" (121)	10-3/4" (273)	0" - 3-1/2" <b>&gt;3-1/2" - 6-1/2"</b>	IS <b>ISJ</b>	75°-110° <b>75°-110°</b>

Size selection chart

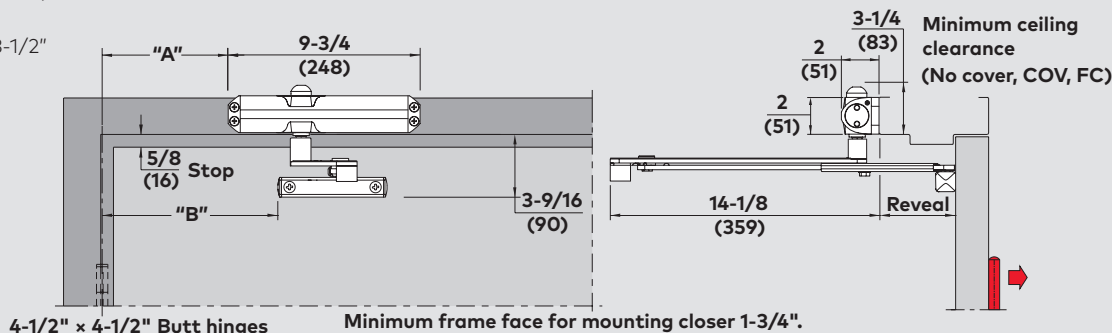
Closer	Interior/ exterior	Door width				
		2'-0" min.	2'-6" max.	3'-0" max.	3'-6" max.	4'-0" max.
7303-7305	Interior	N/A	N/A	7303	7304	7305
	Exterior	N/A	7303	7304	7305	N/A

\* Hold Open is approximately 5°-7° less than the maximum opening listed in the chart. NOTE: bold type shows supplied arm.

# Top jamb x extra heavy-duty spring cushion arm

7303-7305 SISJ/SISJH  
(>3-1/2" to 6-1/2" reveal)

NOTE: Use IS for reveal ≤3-1/2"



*Maximum opening	Dim "A"	Dim "B"	Reveal	Arm	Approximate backcheck
85°	8-1/2" (216)	11-1/16" (281)	0" - 3-1/2" <b>&gt;3-1/2" - 6-1/2"</b>	SIS <b>SISJ</b>	55°-85° <b>55°-85°</b>
90°	7-7/8" (200)	10-7/16" (266)	0" - 3-1/2" <b>&gt;3-1/2" - 6-1/2"</b>	SIS <b>SISJ</b>	60°-90° <b>60°-90°</b>
100°	7" (178)	9-9/16" (243)	0" - 3-1/2" <b>&gt;3-1/2" - 6-1/2"</b>	SIS <b>SISJ</b>	70°-100° <b>70°-100°</b>
110°	6-3/8" (162)	8-15/16" (227)	0" - 3-1/2" <b>&gt;3-1/2" - 6-1/2"</b>	SIS <b>SISJ</b>	75°-110° <b>75°-110°</b>

Size selection chart

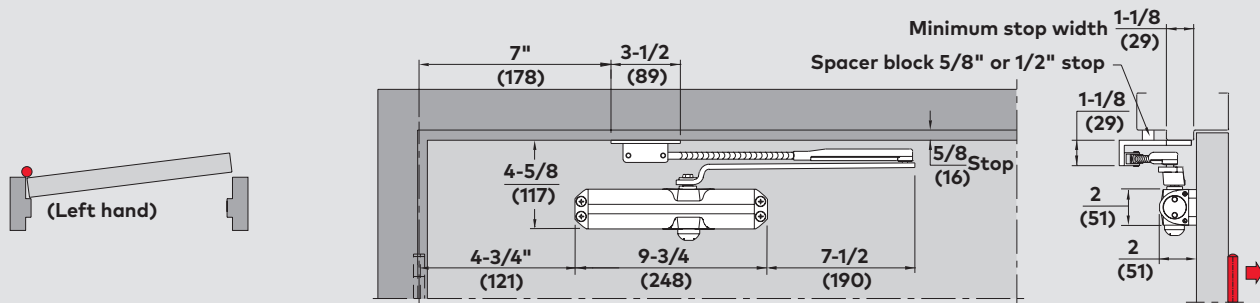
Closer	Interior/ exterior	Door width				
		2'-0" min.	2'-6" max.	3'-0" max.	3'-6" max.	4'-0" max.
7303-7305	Interior	N/A	N/A	7303	7304	7305
	Exterior	N/A	7303	7304	7305	N/A

\* Hold open is approximately 5°-7° less than the maximum opening listed in the chart. NOTE: bold type shows supplied arm.



# Parallel × round form arm

7303-7305 ARP  
7303-7305 AO8P



Minimum door rail for mounting closer 5-1/8" (5/8" stop shown).  
Minimum door rail to bottom of optional slim plastic cover 5-1/4" (5/8" stop shown).

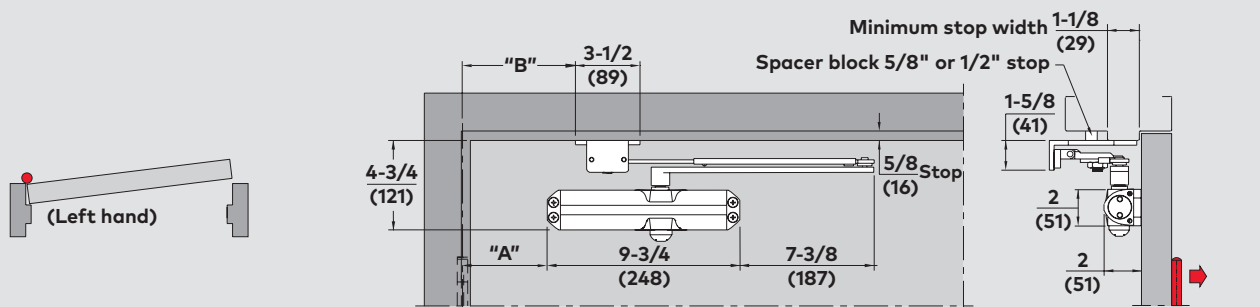
Size selection chart

Closer	Interior/ exterior	Door width		
		2'-6" max.	3'-0" max.	3'-6" max.
7303- 7305	Interior	7303	7304	7305
	Exterior	7304	7305	N/A

Template ref.	Approximate maximum opening	Approximate backcheck	Minimum door width
To 180°	180°	75-180°	24"

# Parallel × friction hold open

7303-7305 FHP



4-1/2" × 4-1/2" Butt hinges Minimum door rail for mounting closer 4-7/8" (5/8" stop shown).  
Minimum door rail to bottom of optional slim plastic cover 5-3/8" (5/8" stop shown).

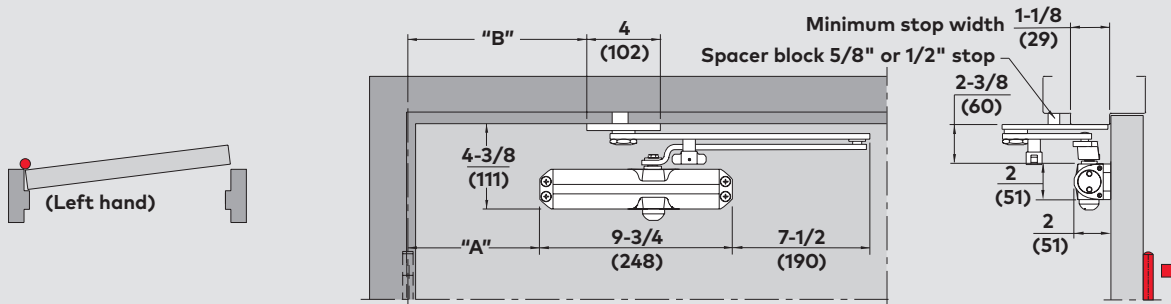
Size selection chart

Closer	Interior/ exterior	Door width		
		2'-6" max.	3'-0" max.	3'-6" max.
7303- 7305	Interior	7303	7304	7305
	Exterior	7304	7305	N/A

Template ref.	Dim "A"	Dim "B"	Approximate maximum opening	Approximate backcheck	Minimum hold open	Maximum hold open	Minimum door width
To 100°	6-3/4" (171)	9" (228)	110°	80°-110°	45°	105°	29"
Over 100°	4-1/4" (108)	6-1/2" (165)	180°	95°-180°	45°	175°	24"

# Heavy-duty super parallel arm

7305 SPA/SPAT

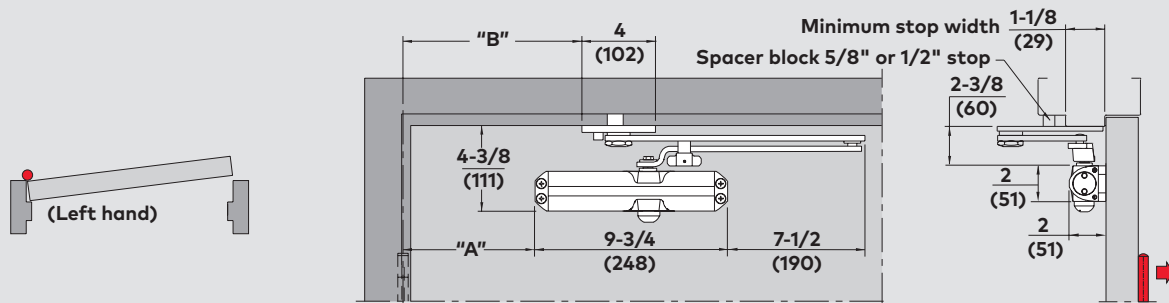


4-1/2" x 4-1/2" Butt hinges Minimum door rail for mounting closer 4-5/8" (5/8" stop shown).  
 Minimum door rail to bottom of slim plastic cover 4-3/4" (5/8" stop shown).

Size Selection Chart				Angle of Opening/ Hold Open	Dim "A"	Dim "B"	Approximate Maximum Opening	Approximate Backcheck	Minimum Door Width
Closer	Interior/ Exterior	Door Width							
7305	Interior	N/A	7305	To 100° H.O. 90°	6-13/16" (173)	9-1/8" (232)	100°	60°-100°	26"
	Exterior	7305	N/A	To 180° H.O. 123°	3-3/16" (81)	5-1/2" (140)	180°	80°-180°	23"

# Parallel x heavy-duty door saver x cushion arm

7305 DS



4-1/2" x 4-1/2" Butt hinges Minimum door rail for mounting closer 4-5/8" (5/8" stop shown).  
 Minimum door rail to bottom of slim plastic cover 4-3/4" (5/8" stop shown).

Size selection chart				*Maximum opening	Dim "A"	Dim "B"	Approximate backcheck	Minimum door width
Closer	Interior/ exterior	Door width						
7305	Interior	N/A	7305	85°	7-3/16" (183)	10" (254)	50°-85°	26"
	Exterior	7305	N/A	90°	6-5/16" (160)	9-1/4" (235)	55°-90°	25"
7305	Interior	N/A	7305	100°	5-3/16" (132)	8" (203)	60°-100°	24"
	Exterior	7305	N/A	110°	3-15/16" (100)	6-7/8" (175)	65°-100°	23"

# Parallel x extra heavy-duty door saver spring cushion arm

**7303-7305 SDS**

4-1/2" x 4-1/2" Butt hinges    Minimum door rail for mounting closer 4-5/8" (5/8" stop shown).  
 Minimum door rail to bottom of slim plastic cover 4-3/4" (5/8" stop shown).

*Maximum opening	Dim "A"	Dim "B"	Approximate backcheck	Minimum door width
85°	7-3/16" (183)	10" (254)	50°-85°	26"
90°	6-5/16" (160)	9-1/4" (235)	55°-90°	25"
100°	5-3/16" (132)	8" (203)	60°-100°	24"
110°	3-15/16" (100)	6-7/8" (175)	65°-100°	23"

**Size selection chart**

Closer	Interior/ exterior	Door width	
		3'-0" max.	3'-6" max.
7305	Interior	N/A	7305
	Exterior	7305	N/A

# Track x pull side door mounted

**7305 T  
7305 TH**

4-1/2" x 4-1/2" Butt hinges    Minimum frame face for mounting closer 2-7/8".  
 Optional BP86T plate required for slim plastic cover. Specify hand.

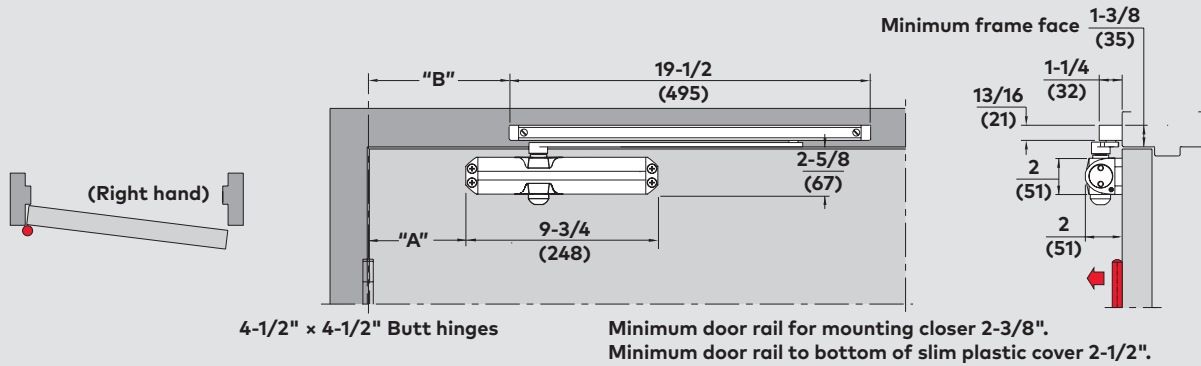
*Maximum opening	Dim "A"	Dim "B"	Maximum hold open	Approximate backcheck	Approximate delayed action	Minimum door width
85°	3-7/8" (98)	9-5/8" (244)	83°	65°-85°	85°-65°	31"
90°	3-7/8" (98)	8-5/8" (219)	88°	65°-90°	90°-65°	30"
110°	2-5/8" (67)	6-3/4" (171)	108°	70°-110°	110°-70°	27"
180°	2-1/8" (54)	4-1/8" (105)	160°	80°-180°	180°-80°	25"

**Size selection chart**

Closer	Interior/ exterior	Door width			
		2'-6" max.	3'-0" max.	3'-6" max.	4'-0" max.
7305	Interior	•	•	•	N/A
	Exterior	•	•	N/A	N/A

# Track x pull side frame mounted

7305 JT  
7305 JTH



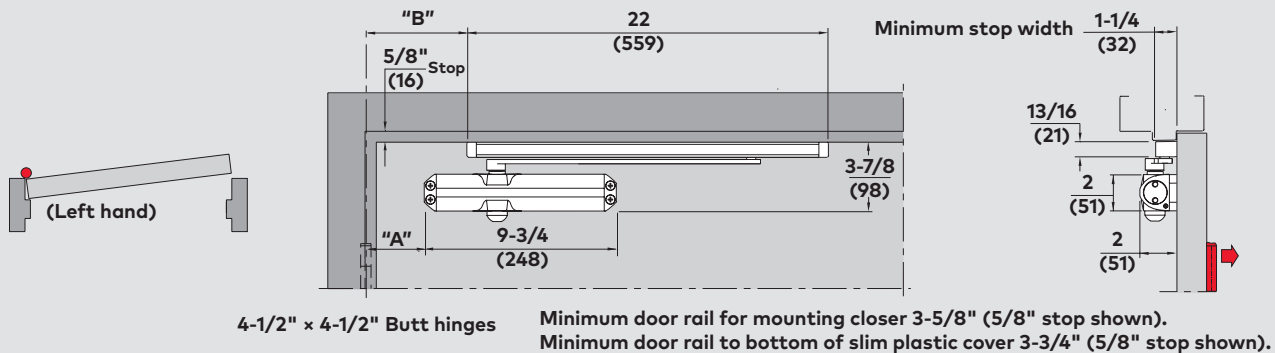
Size selection chart

Closer	Interior/ exterior	Door width			
		2'-6" max.	3'-0" max.	3'-6" max.	4'-0" max.
7305	Interior	•	•	•	N/A
	Exterior	•	•	N/A	N/A

Maximum opening	Dim "A"	Dim "B"	Maximum hold open	Approximate backcheck	Approximate delayed action	Minimum door width
85°	6-1/8" (156)	8" (203)	80°	60°-85°	85°-60°	31"
90°	5-5/8" (143)	7-1/2" (191)	85°	65°-90°	90°-65°	30"
110°	4-3/8" (111)	5-3/4" (146)	100°	80°-110°	110°-80°	28"
175°	3-7/8" (98)	3-3/8" (86)	145°	95°-180°	175°-95°	25"

# Track x push side soffit mounted

7305 PT  
7305 PTH



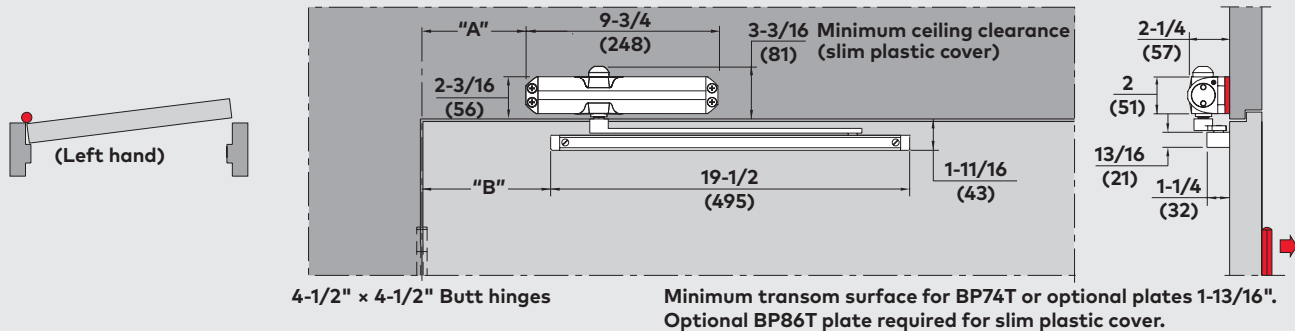
Size selection chart

Closer	Interior/ exterior	Door width			
		2'-6" max.	3'-0" max.	3'-6" max.	4'-0" max.
7305	Interior	•	•	•	N/A
	Exterior	•	•	N/A	N/A

Maximum opening	Dim "A"	Dim "B"	Maximum hold open	Approximate backcheck	Approximate delayed action	Minimum door width
85°	4-3/8" (111)	9-1/8" (232)	82°	65°-85°	85°-65°	33"
90°	4-3/8" (111)	7-1/2" (191)	87°	65°-90°	90°-65°	31"
100°	4-3/8" (111)	5-1/2" (140)	97°	65°-100°	100°-65°	29"

# Track x flush push side door mounted

7305 FT BP86T  
7305 FTH BP86T

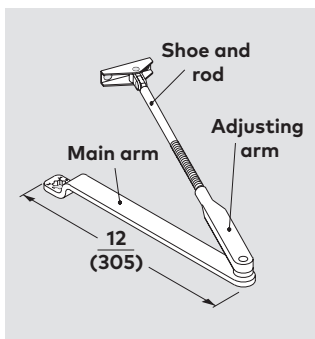


Maximum opening	Dim "A"	Dim "B"	Maximum hold open	Approximate backcheck	Approximate delayed action	Minimum door width
85°	4-13/16" (122)	6-3/8" (162)	82°	60°-85°	85°-60°	29"
90°	4-5/16" (110)	6-1/16" (154)	87°	65°-90°	90°-65°	28"
110°	3-5/16" (84)	4-3/4" (121)	105°	75°-110°	110°-75°	26"

**Size selection chart**

Closer	Interior/ exterior	Door width			
		2'-6" max.	3'-0" max.	3'-6" max.	4'-0" max.
7305	Interior	•	•	•	N/A
	Exterior	•	•	N/A	N/A

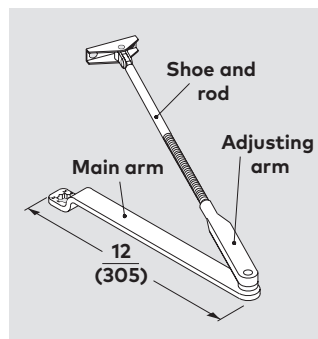
**Round form arm (8 mm rod)**



**AR** — Complete arm assembly, regular or top jamb mount (0"–4" [0 mm–102 mm] reveal), with 8 mm rod.

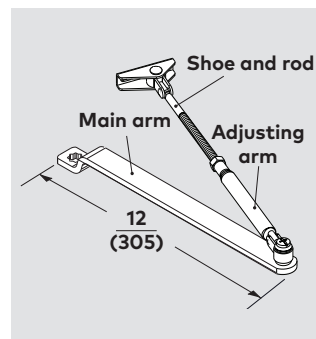
**ARP** — Parallel round form arm complete (Tri-Pack) (0"–4" [0 mm–102 mm] reveal). Parallel arm bracket included.

**Round form arm (10 mm rod)**



**ARJ** — Complete arm assembly (4"–8" [102 mm–203 mm] reveal) with 10 mm rod. Designed specifically for top jamb applications with deeper reveals.

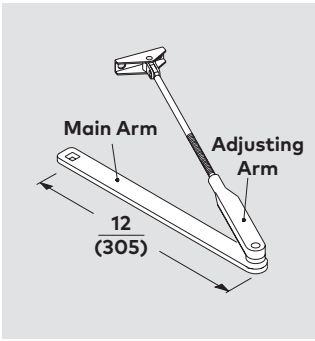
**Round form arm (8 mm rod)**



**AO8** — Complete secured elbow arm non-hold open assembly (0"–4" [0 mm–102 mm] reveal) with 8 mm rod. Optional arm with 7300 Series closers.

**AO8P** — Parallel round form arm secured elbow non-hold open complete (Tri-Pack) (0"–4" [0 mm–102 mm] reveal). Parallel arm bracket included.

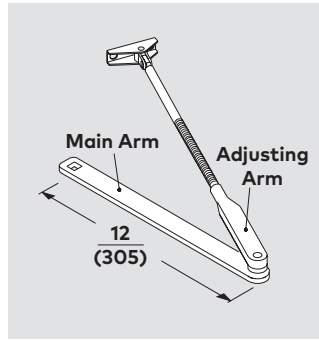
**Narrow profile arm  
(8 mm)**



**ARNP** — Complete arm assembly. Regular or top jamb mount. Permits installation on 1" (25 mm) frame face for regular mount with maximum pull-side reveal of 1/8" (3 mm). Can also be used top jamb (0"–4" [0 mm–102 mm] reveal) for narrow top door rails.

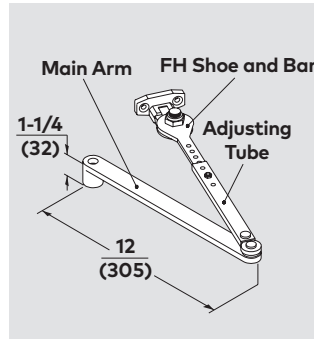
**ARNPP** — Complete arm assembly for parallel arm mount (Tri-Pack). (0"–4" [0 mm–102 mm] reveal). Parallel arm bracket included.

**Narrow profile arm  
(10 mm)**



**ARNPJ** — Complete arm assembly for top jamb installations (4"–8" [102 mm–203 mm] reveal) for narrow top door rails.

**Friction hold open arm**



**FH** — Friction hold open arm complete (0"–4" [0 mm–102 mm] reveal).

**FHJ** — Top jamb friction hold open arm complete (4"–8" [102 mm–203 mm] reveal).

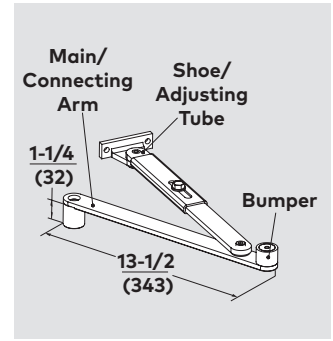
**FHP** — Friction hold open arm complete (Tri-Pack) (0"–4" [0 mm–102 mm] reveal). Parallel hold open bracket included.

**FHM04** — Friction hold open main arm and adjusting tube (0"–4" [0 mm–102 mm] reveal).

**FHM48** — Friction hold open main arm and adjusting tube (4"–8" [102 mm–203 mm] reveal).

**FHSB** — Friction hold open shoe and bar.

**Heavy-duty cushion arm**



Provides a cushioned opening function for regular and top jamb applications at 85°, 90°, 95°, 100°, 105°, and 110°.

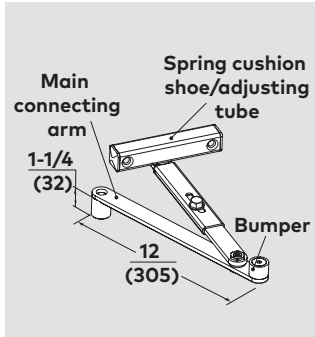
**IS** — Cushion arm complete (0"–3-1/2" [0 mm–89 mm] reveal).

**ISJ** — Cushion top jamb arm complete (3-1/2"–6-1/2" [89 mm–165 mm] reveal).

**ISH** — Cushion hold open arm complete (0"–3-1/2" [0–89 mm] reveal).

**ISJH** — Cushion top jamb hold open arm complete. (3-1/2"–6-1/2" [89 mm–165 mm] reveal).

**Extra heavy-duty spring cushion arm**



Provides a spring cushion function for regular and top jamb applications at 85°, 90°, 100°, and 110°.

**SIS** — Spring cushion arm complete (0"–3-1/2" [0 mm–89 mm] reveal).

**SISH** — Spring cushion hold open arm complete (0"–3-1/2" [0 mm–89 mm] reveal).

**SISJ** — Spring cushion top jamb arm complete (3-1/2"–6-1/2" [89 mm–165 mm] reveal).

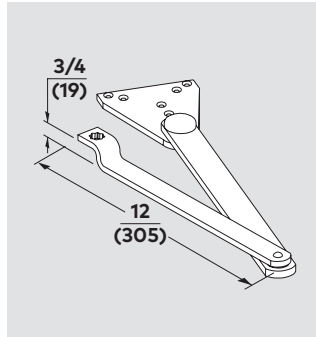
**SISJH** — Spring cushion top jamb hold open arm complete (3-1/2"–6-1/2" [89 mm–165 mm] reveal).

**Cushion/spring cushion arm accessories:**

**SISM03** — Cushion/spring cushion main arm and connecting arm. (0"–3-1/2" [0 mm–89 mm] reveal).

**SISM36** — Cushion/spring cushion top jamb main arm and connecting arm (3-1/2"–6-1/2" [89 mm–165 mm] reveal).

**Heavy-duty super parallel arm**



Heavy-duty parallel arm. Available in non-hold open, thumb turn hold open, and hex key turn hold open. Units can be installed for maximum opening of 100° or 180°. Hold open units will hold open at 90° or 125°. Maximum opening is 180° (conditions permitting). Non-hold open arm illustrated.

**SPA** — Super parallel arm non-hold open.

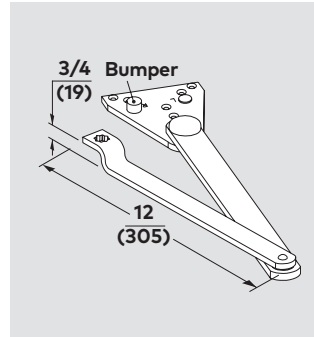
**SPAT** — Super parallel arm thumb turn hold open.

**ISST** — Cushion shoe and adjusting tube.

**BUMPER IS** — Cushion/spring cushion urethane bumper.

**SISST** — Spring cushion shoe and adjusting tube.

**Heavy-duty door saver cushion arm**



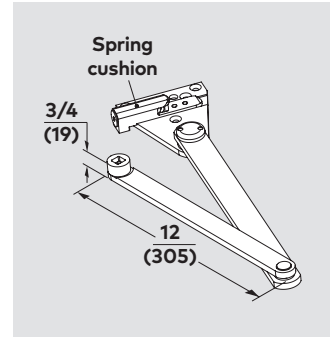
Heavy-duty parallel arm with cushioned opening function. Available in non-hold open, thumb turn hold open, and hex key turn hold open. Units can be installed to achieve either stop or stop and hold open at 85°, 90°, 100°, and 110°. Maximum opening is 110° (conditions permitting). Non-hold open arm illustrated.

**DS** — Door saver cushion arm non-hold open.

**DST** — Door saver cushion arm thumb turn hold open.

**BUMPER DS** — Door saver bumper only.

**Spring Stop Door Saver Arm**



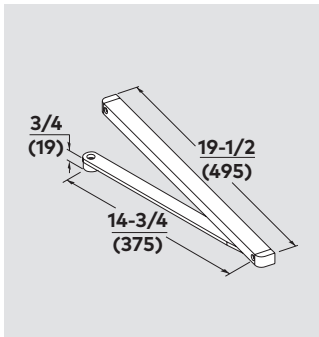
Extra heavy-duty parallel arm with spring assisted cushion function. Available in non-hold open and thumb turn hold open. Units can be installed to achieve either stop at 85°, 90°, 100°, and 110° or stop and hold open function. Maximum opening is 110° (conditions permitting). Non-hold open arm illustrated.

**SDS** — Door saver spring cushion arm.

**SDST** — Door saver spring cushion arm thumb turn hold open.

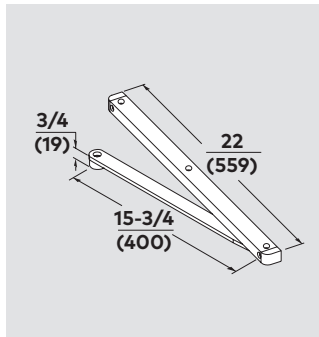
**S SPRING DS** — Spring assembly complete.

**Track arm**



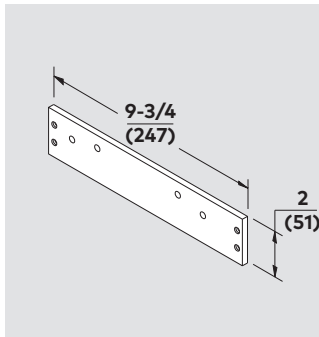
Provides slide track function for improved aesthetics and vandal resistance. Units can be installed to provide 85°, 90°, 110°, or 180° of door opening (conditions and application permitting).  
**T** — Track arm complete. Can be used on pull-side T applications (closer on door, track on frame) and JT applications (track on frame, closer on door). Can also be used with FT flush transom applications (closer on transom, track on door).  
**TH** — Track hold open arm complete. Can be used in same applications as T arm. Range of hold open and maximum opening varies with mounting application.

**Push side track arm**



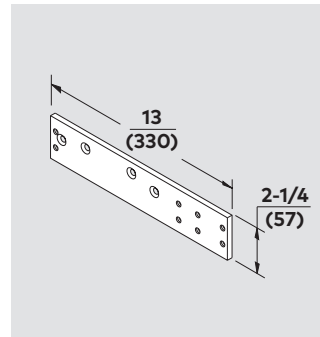
**PT86** — Push-side track arm complete. Used with PT track applications (closer on door, track on soffit).  
**PT86H** — Push-side track hold open arm complete. Used with PT track applications (closer on door, track on soffit).

**Backplate**



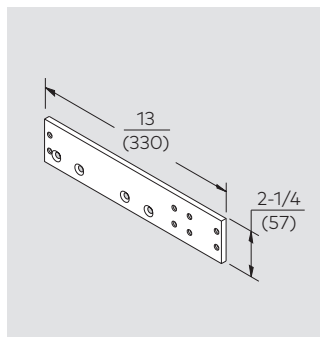
**BP73** — For top jamb mount when overhead ceiling clearance is less than 2-1/4" (57 mm). Can also be used for regular mount to clear a mortised overhead stop/holder.

**Backplate**



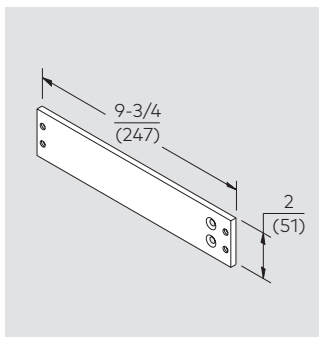
**BP86** — For top jamb mount with slim plastic cover when overhead ceiling clearance is less than 2-1/4" (57 mm). Can also be used for regular mount to clear a mortised overhead stop/holder.

**Backplate**



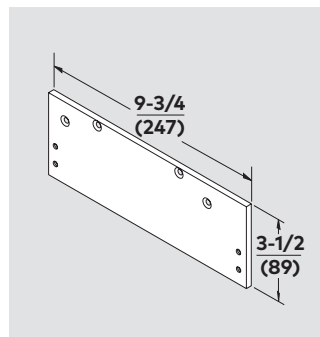
**BP86T** — For use with pull-side track applications (closer on frame face, track on door) with slim plastic cover to permit installation on a standard 2" (51 mm) frame face.

**Conversion plate**



**BP600C** — For regular, top jamb, or parallel arm mounts. Permits retrofit of 7300 Series to 8-9/32" hole spacing. Eliminates the need to remachine the door and frame.

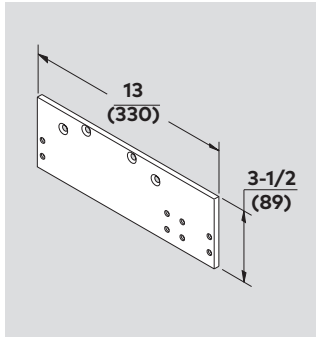
**Drop Plate**



**DP73** — For top jamb mount to clear a surface applied stop/holder. Overhead ceiling clearance must be 1-3/4" (44 mm) or more. Permits parallel arm installation with minimum top door rail of 2-1/2" (64 mm) for non-hold open, 2-3/4" (70 mm) for friction hold open applications (assuming 5/8" [16 mm] stop dimension).

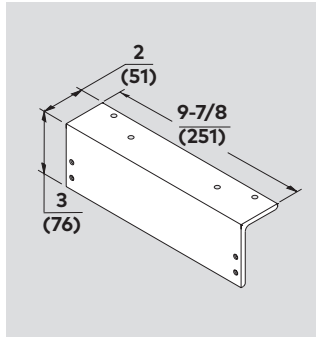


**Drop plate**



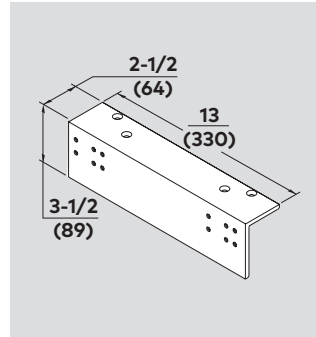
**DP86** — For top jamb mount with slim plastic cover to clear a surface applied stop/holder. Overhead ceiling clearance must be 1-3/4" (44 mm) or more. Permits parallel arm installation with minimum top door rail of 2-1/2" (64 mm) for non-hold open, 2-3/4" (70 mm) for friction hold open applications (assuming 5/8" [16 mm] stop dimension).

**Angle bracket**



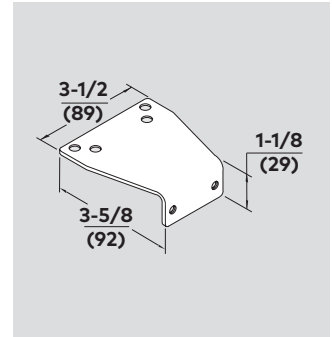
**AB73** — For installation of closers where top jamb applications are not practical due to low overhead ceiling clearance, narrow frame face or unusual trim conditions. This bracket can also be used to provide clearance for a surface-applied stop/holder.

**Angle bracket**



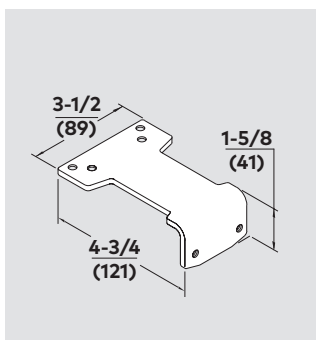
**AB86** — For installation of 7300 Series closers using a slim plastic cover. Used where top jamb applications are not practical due to low overhead ceiling clearance, narrow frame face or unusual trim conditions. This bracket can also be used to provide clearance for a surface-applied stop/holder.

**Parallel arm bracket**



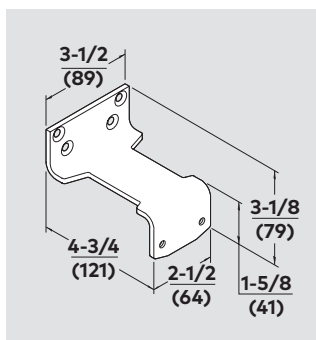
**P86** — Furnished optionally with 7300 Series non-hold open parallel arm applications.

**Parallel hold open bracket**



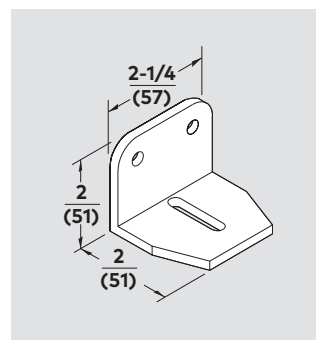
**PHB** — Furnished with 7300 Series closer friction hold open parallel arm applications.

**Parallel flush transom bracket**



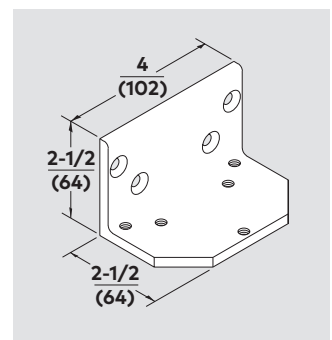
**PFT** — For all 7300 Series closer hold open and non-hold open parallel arm applications where flush transom conditions prohibit use of P86 or PHB bracket.

**Narrow Frame bracket**



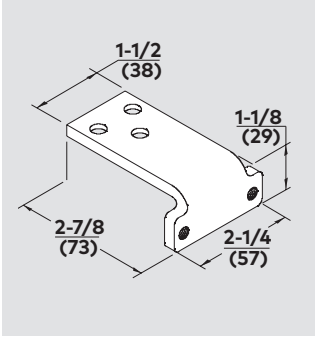
**NFHD** — For use with all DS and SPA applications where soffit width is 1-1/8" (29 mm) to 3-1/2" (89 mm), prohibiting use of standard spacer block. NFHD bracket is used in lieu of block supplied with arm.

**Flush transom bracket**



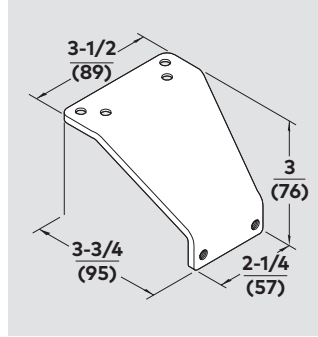
**FTHD** — For use with all DS and SPA applications where flush transom conditions prohibit normal installation of soffit bracket.

**Mortised Jamb Bracket**



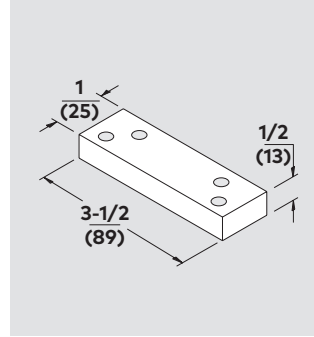
**MJ** — For 7300 Series closers with regular mount non-hold open assemblies, where frame conditions will not permit use of the standard foot, e.g. molded or ornate trim. Permits use of parallel arm application between twin communicating doors where limited space prohibits use of the wider P86 bracket.

**Parallel Drop Bracket**



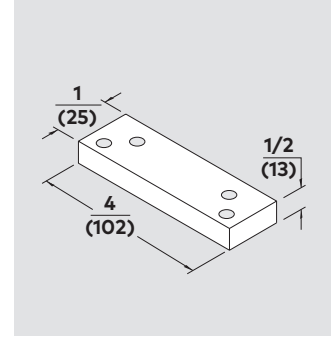
**PD** — For 7300 Series closer non-hold open parallel arm applications to clear a surface-applied stop/holder.

**Blade Stop Spacer**



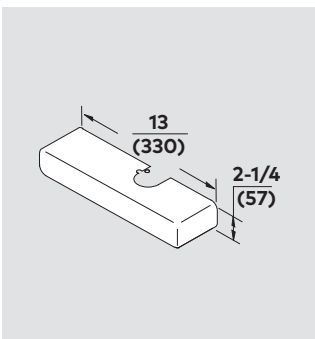
**BS** — For use with all 7300 Series P86, PD, and PHB applications installed on cased frames with applied blade stops. This block is used to provide adequate clearance for the blade stop.

**Heavy-Duty Blade Stop Spacer**



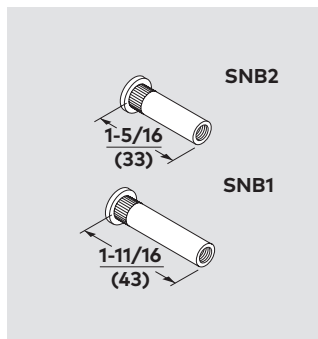
**BSHD** — For use with all 7300 Series DS, DST, SDS, SDST, SPA and SPAT applications installed on cased frames with applied blade stops. This block is used in conjunction with the spacer furnished with the arm to provide adequate clearance for the blade stop.

**Slim Plastic Cover**



**COV** — Optional slim plastic cover.

**Sex Nuts**



**SNB1** — Sex nuts with machine screws for 1-3/4" (44 mm) door.

**SNB2** — Sex nuts with machine screws for 1-3/8" (35 mm) door. Required for use on unreinforced doors and wood or composite labeled fire doors for securely attaching hardware to the door.





DORMA USA, Inc.  
Dorma Drive, Drawer AC  
Reamstown, PA 17567  
Tel: 800 523 8483  
Fax: 800 274 9724  
archdw.us@dormakaba.com

DORMA Canada  
1680 Courtney Park Drive, Unit 13  
Mississauga, Ontario L5T 1R4  
Tel: 800 387 4938  
Fax: 905 670 5850  
orders.canada@dormakaba.com

DORMA Mexico  
Calle Sur 110 no. 63, Col. Tolteca  
01150 México, D.F.  
Tel: + 52 55 5272 6937 ext. 102  
ventasdhw.mx@dormakaba.com



[www.dormakaba.us](http://www.dormakaba.us)