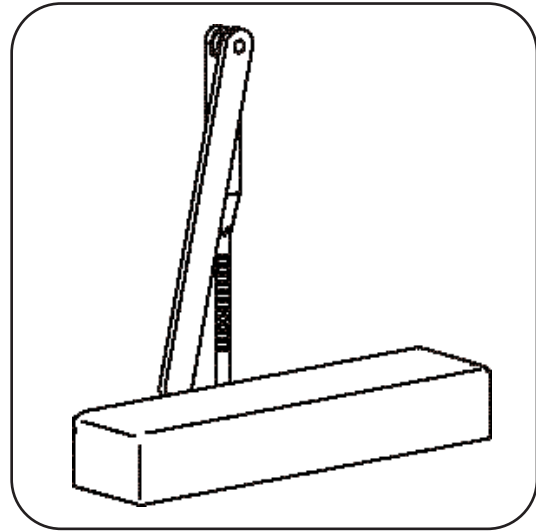


STA 8600 Slim Cover AR Arm



STA 8600 Full Cover AR Arm



**DORMA By Choice™**

The quality management system at the Reamstown, Pennsylvania facility is certified to ISO 9001\*.

\*DORMA Door Controls, Inc. d.b.a. DORMA Architectural Hardware

0606



## DORMA STA 8600 SERIES

### Applications:

The STA 8600 Series is designed for use in severe climatic conditions, or where there is exposure to salt laden or other corrosive environments.

Recommended applications include seashore/ swimming pool areas, offshore installations, ships, chemical plants, sewage treatment facilities—anywhere rust and corrosion typically present problems. It is available in adjustable spring size 1-6.

### Listings & Approvals:

- ANSI Grade 1.
- UL and ULC.
- UL10C for positive pressure.
- UBC 7.2 1997.
- CSFM.
- M.E.A.

**Warranty:** 25 Years.

### Range of Door Sizes:

- Exterior door widths to 48" (1219 mm).
- Interior door widths to 48" (1219 mm).
- Door heights to 96" (2438 mm).
- Door weights to 250 pounds (114 kg).
- Can be adjusted to meet ADA maximum 5 lb opening force on properly hung interior doors.

### Finishes:

- Standard Sprayed Finishes:  
Aluminum: 689.  
Bronze: 691 (Dull), 690 (Statuary), or 695 (Dark Duranodic).  
Gold: 696 (Satin). Black: 693.
- Architectural Plated Finishes:  
629 (Polished Stainless Steel).  
630 (Satin Stainless Steel).
- Custom Painted Finishes:  
Submit sample. Customer approval required.

### Special Application Assistance:

Please contact our Technical Services team at 800-523-8483 if you have any questions or need assistance in developing a custom application.

### Closer Mounting Options (based on arm selection):

- Regular pull side of the door.
- Top jamb push side of the door.
- Parallel arm on push side of the door.

### ANSI A156.4 Grade 1 Selector Chart

Arm(s)	Hingeside	Parallel Arm	Top Jamb
PT4 Function Options	A, B, C, D, F, H, J	A, B, C, D, F, H, J	A, B, C, D, F, H, J
With Cover	C02011	C02021	C02041

### Arm Functions:

- Regular, Top Jamb or Parallel Arm.

### Closer Functions:

- Adjustable power.
- Adjustable backcheck intensity.
- Adjustable backcheck positioning.
- Adjustable sweep speed.
- Adjustable latch speed.
- Optional delayed closing from maximum opening angle to approximately 70°.

### Cover Options:

- Slim plastic cover.
- Optional full plastic cover.
- Optional full plastic slotted cover.
- Optional full stainless steel metal cover (required for architectural finishes).

### Contact Information:

DORMA Architectural Hardware  
Dorma Drive, Drawer AC  
Reamstown, PA 17567-0411  
Tel: 800-523-8483  
Fax: 800-274-9724  
Email: archdw@dorma-usa.com

### A DORMA Group Company

www.dorma-usa.com