

Architectural pulls and handles



Table of contents

03 Architectural pulls and handles

TG handles

04 TG 9387 / TG 9335

05 TG 9830 / TG 9304 / TG 9306

06 Mounting options

TG 138 locking and non-locking ladder pulls

07 Overview

08 49" (1245) TG 138 ladder pull details and glass cutout template

09 60" (1524) TG 138 ladder pull details and glass cutout template

10 72" (1829) TG 138 ladder pull details and glass cutout template

11 84" (2134) TG 138 ladder pull details and glass cutout template

12 Mounting pack options

MANET, ARCOS, and BEYOND handles

14 MANET handles

15 MANET details and glass fabrication

16 ARCOS details and glass fabrication

17 BEYOND details

Other pull handles and knobs

17 Economy pull handles

19 Flush pulls and glass knobs



TG 138 locking ladder pull

Note: All measurements are shown in inches (mm); for example, 3/8" (10).



TG 138 locking ladder pull

MANET handle

BEYOND handle

Architectural pulls and handles

For interior or exterior commercial doors

dormakaba offers a wide selection of pulls and handles for both tempered glass doors and solid material doors made of aluminum, wood, PVC, or mixed material: locking and non-locking ladder pulls, back-to-back pulls, customized handle solutions, and a variety of finishes and materials.

TG handles

No handle in the market is more technically reliable or adaptable than the stainless steel TG handle. Available in numerous designs and sizes, dormakaba TG handles provide customized solutions to meet individual application requirements. Some TG handles are made to order, to schedule, and to specification —eliminating the need to adapt on site. TG 9387 handles are available in stock in five lengths: 12" (305), 18" (457), 36" (914), 42" (1067), and 60" (1524).

TG 138 locking ladder pulls

A dormakaba TG 138 locking ladder pull set is a pair of tubular lockable pull handles with a small format interchangeable (SFIC) cylinder on the secure side and a thumbturn on the non-secure side of the door. Made from the highest quality, Grade 316L stainless steel, TG 138 locking ladder pulls are perfect for the toughest interior/exterior environments. Four stocked lengths are available: 49" (1245), 60" (1524), 72" (1829), and 84" (2134) with custom sizes available for quote upon request.

ARCOS handles

With its arc-like curvature to complement the ARCOS line, ARCOS handles are available in two lengths and two finishes: 13-3/4" (350) or 29-1/2" (750) in either Bright Anodized Aluminum or Custom Powder Coated. These beautifully crafted, high-quality, back-to-back handles combine a long service lifetime with an attractive appearance.

MANET handles

Elegant, technologically advanced MANET handles deliver ideal solutions for a range of internal applications. These satin stainless steel handles are available in four fixed lengths and in single sided or back-to-back versions. They can be installed horizontally, vertically, or in a handrail configuration.

BEYOND handles

BEYOND handles were developed to complement the dormakaba BEYOND system, but work well with all types of swing glass doors. Made of aluminum in a sleek modernist design, BEYOND handles are available in three lengths: 17-3/4" (450), 23-5/8" (600), and 35-7/16" (900). The finish is Similar to Satin Stainless.

Warranty

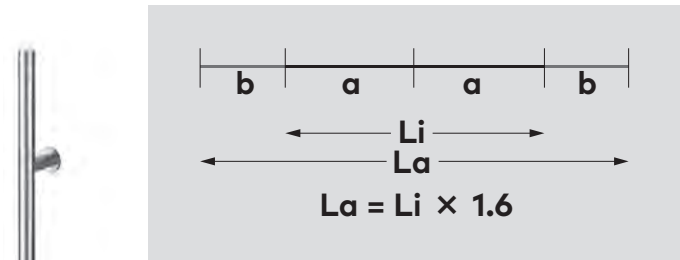
For details, refer to the dormakaba Limited Warranty on our website at go.dormakaba.com/Terms-DA

Note: Mounting packs are available for tempered glass doors and for aluminum, wood, PVC, and mixed material doors from 3/8" (10) to 1-3/4" (44). Contact the factory if mounting packs are required for thicker doors.



TG handles

Center distance specifically tailored to your requirements



- Each pull handle custom ordered to fit field preparation. No cutting or handle modifications required in field.
- No inventory or storage costs.
- Robust design for maximum load resistance.
- Naturally corrosion resistant.
- All TG pulls are made from stainless steel base material.
- A range of mounting options is available to suit various door thicknesses for glass, metal, or wood doors.
- Consistent appearance of all pull handles in the building.

TG 9387

Pull handle with straight supports, stainless steel

TG 9387 handles are available in two variations of custom lengths:

- Specify L_i only = (specify L_i only then $\{L_a = L_i \times 1.6\}$ [L_a = overall length], [L_i = center to center of post]).
- Specify L_i and L_a desired.

Stock TG 9387 handles are also available in the six specifications shown at right and below.

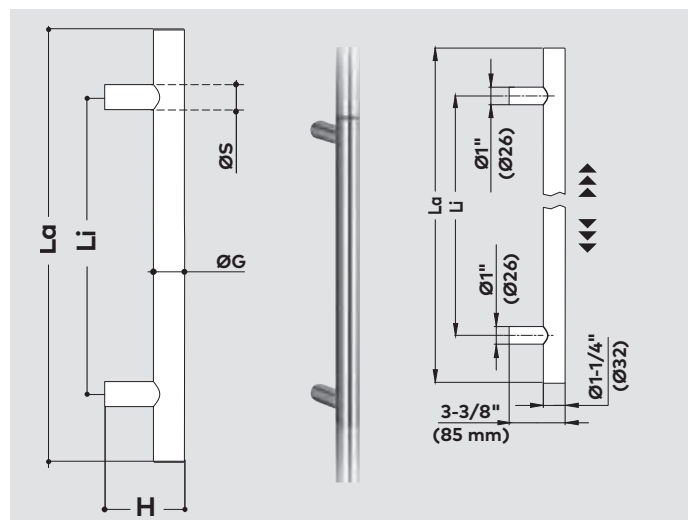


Note: All TG 9387 handles above can be ordered as B2B (back to back) sets or SNG (single) for one side only.

- Ref. # 905.370**
 $L_i = 60''$ (1524)
 $L_a = 37\text{-}1/2''$ (953)
 (3F = 3 Fixing Posts)
- Ref. # 905.371**
 $L_i = 42''$ (1067)
 $L_a = 26\text{-}1/4''$ (667)
 (2F = 2 Fixing Posts)
- Ref. # 905.372**
 $L_i = 36''$ (914)
 $L_a = 22\text{-}1/2''$ (572)
 (2F = 2 Fixing Posts)
- Ref. # 905.373**
 $L_i = 18''$ (457)
 $L_a = 11\text{-}1/4''$ (286)
 (2F = 2 Fixing Posts)
- Ref. # 905.382**
 $L_i = 18''$ (457)
 $L_a = 12''$ (305)
 (2F = 2 Fixing Posts)
- Ref. # 905.374**
 $L_i = 12''$ (305)
 $L_a = 7\text{-}1/2''$ (191)
 (2F = 2 Fixing Posts)

Service item*	Description
	Service inserts, reduces post thread from 5/16" (8) to 1/4" (6), used for every mounting post. Bulk pack of 6. Ref. # 905.390
	Service mounting pack with finished mounting ROSE used for SNG GLASS mount 3/8" – 3/4" (10 – 19). Bulk pack of 6. Ref. # 905.387
	Service mounting pack used for BACK-TO-BACK GLASS mount 3/8" – 3/4" (10 – 19). Bulk pack of 6. Ref. # 905.385
	Service mounting pack with finished mounting ROSE used for SNG WOOD mount 1-3/8" – 2" (40 – 51). Bulk pack of 6. Ref. # 905.388
	Service mounting pack used for BACK-TO-BACK WOOD mount 1-3/8" – 2" (40 – 51). Bulk pack of 6. Ref. # 905.386
	Service mounting pack with BLIND (concealed) fasteners, used for SNG WOOD mount $\geq 1\text{-}3/8''$ (40). Bulk pack of 6. Ref. # 905.389

ØG	1" (25)	1-1/4" (32)
ØS	23/32" (18)	1-1/32" (26)
H	2-15/16" (75)	3-11/32" (85)
3 fixings required	59-1/16" (1500)	74-13/16" (1900)

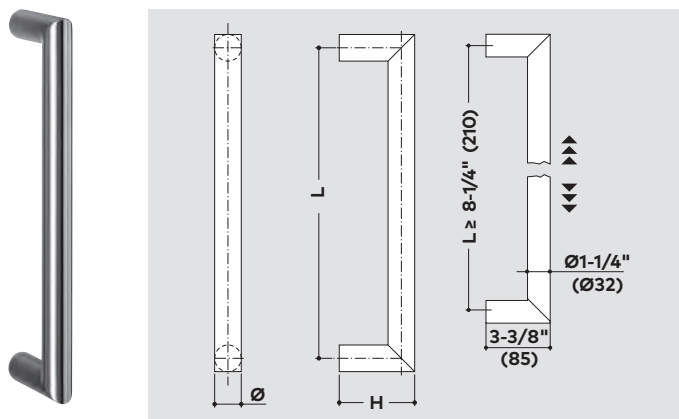


* Service items for stock TG 9387 handles only; specify appropriate mounting option when ordering.

TG 9335

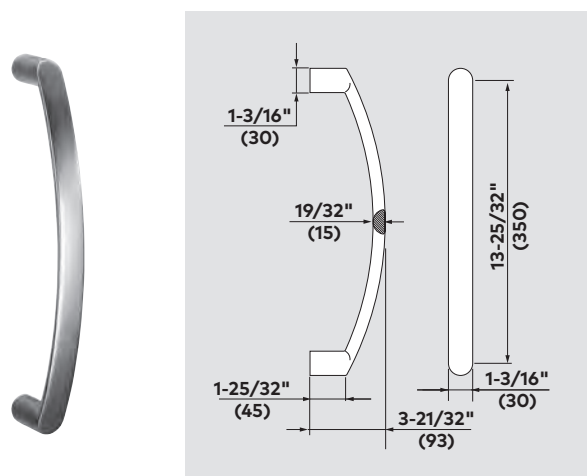
Straight mitered pull handle, stainless steel

Ø	1" (25)	1-1/4" (32)
H	2-15/16" (75)	3-11/32" (85)
L	8-1/4" (210)	7-7/8" (200)
Max. L	39-3/8" (1000)	51-3/16" (1300)



TG 9830

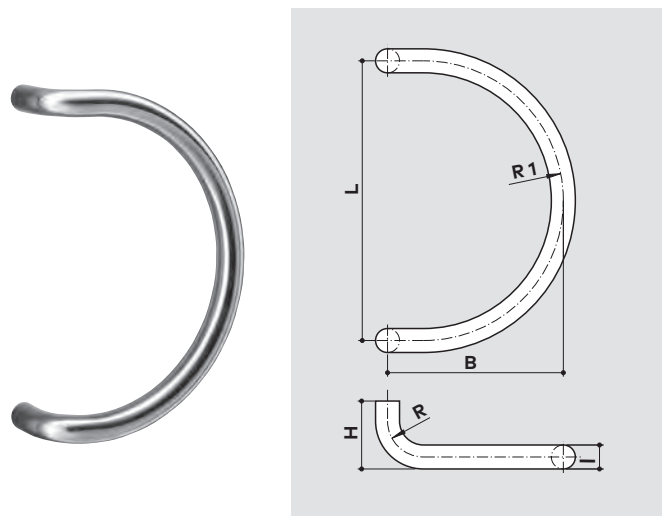
Pull handle, stainless steel



TG 9304

Semi-circular pull handle, aluminum, stainless steel

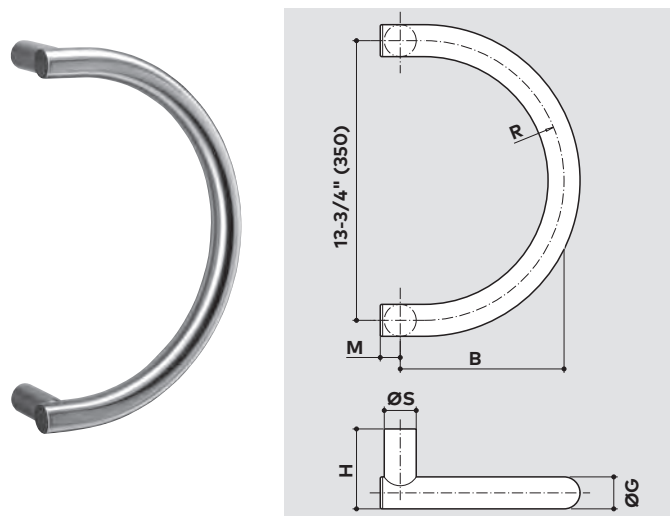
Ø	1-3/16" (30) aluminum	1-3/16" (30) stainless steel
R	1-3/4" (45)	1-3/4" (45)
R1	5-29/32 (150)	6-7/8" (175)
B	7-11/16" (195)	8-21/32" (220)
H	3-11/32" (85)	3-11/32" (85)
L	11-13/16" (300)	13-25/32" (350)



TG 9306

Semi-circular pull handle with spacer fixings, stainless steel

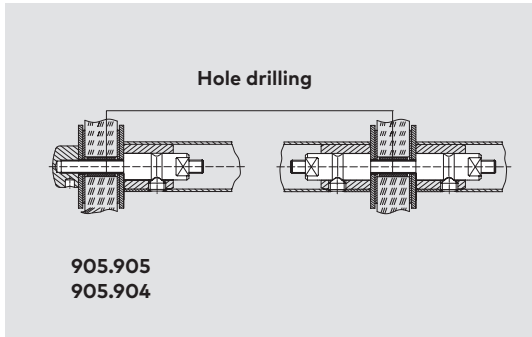
ØG	1-3/16" (30)	1-9/16" (34)
ØS	1-1/32" (26)	1-1/4" (32)
R	6-7/8" (175)	6-7/8" (175)
B	7-11/16" (195)	8-1/16" (205)
H	3-11/32" (85)	3-15/16" (100)
M	25/32" (20)	1" (25)



TG handles

Mounting options

TG handles to glass doors

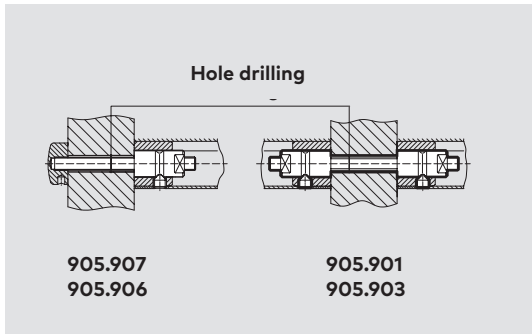


Single-sided, through-bolt mounting pack, with cap opposite
 5/16" – 19/32" (8 – 15)
 glass thickness
M6 Ref. # 905.905
M8 Ref. # 905.904

Back-to-back, through-bolt mounting pack, concealed
 5/16" – 19/32" (8 – 15)
 glass thickness
M6 Ref. # 905.900
M8 Ref. # 905.902

Screw M	Handle Ø or ØG	Hole Ø
M6	25/32" (20)	1/2" (12)
M6	1" (25)	1/2" (12)
M8	1-3/16" (30)	1/2" (12)
M8	1-1/4" (3)	1/2" (12)
M8	1-9/16" (40)	1/2" (12)

TG handles to wood doors

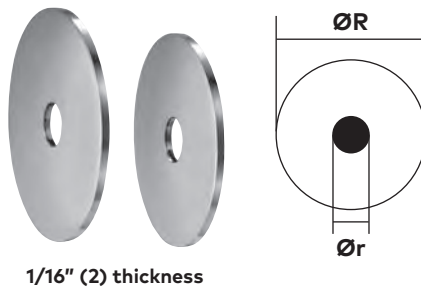


Single-sided, through-bolt mounting pack, with cap opposite
 1-3/8" – 3-15/16"
 (35 – 100)
 wood thickness
M6 Ref. # 905.907
M8 Ref. # 905.906

Back-to-back, through-bolt mounting pack, concealed
 1-3/8" – 3-15/16"
 (35 – 100)
 wood thickness
M6 Ref. # 905.901
M8 Ref. # 905.903

Screw M	Handle Ø or ØG	Hole Ø
M6	25/32" (20)	5/16" (8)
M6	1" (25)	5/16" (8)
M8	1-3/16" (30)	3/8" (10)
M8	1-1/4" (32)	3/8" (10)
M8	1-9/16" (40)	3/8" (10)

Optional support rose for pull handle



	GZ 540	GZ 544
ØR	1-9/16" (40)	1-3/4" (44)
Ør	1/4" (6)	5/16" (8)
for Ø handle thickness	1" (25)	1-1/4" (32)

TG 138 locking and non-locking ladder pulls

Lockable stainless steel pull handles with rim cylinder and thumbturn



For elegant and secure glass entrances, dormakaba offers the **TG 138 locking and non-locking ladder pulls**—a pair of tubular lockable pull handles with a small format interchangeable (SFIC) cylinder on the secure side and a thumbturn on the non-secure side of the door. Made from the highest quality, Grade 316L stainless steel, TG 138 locking ladder pulls are perfect for the toughest interior/exterior environments. Four stocked lengths are available: 49" (1245), 60" (1524), 72" (1829), and 84" (2134) with custom sizes available for quote upon request.

Lockable pull handles feature a patented anti-break-in technology and steel dead bolt locking on the interior or opposite of the cylinder side of the opening. The default cylinder is a Small Format Interchangeable Core (SFIC) less core (00). Other cylinder and keying options are available. A dust proof strike is included.

Mounting packs are available for tempered glass doors and for aluminum, wood, PVC, and mixed material doors from 3/8" to 1-3/4" (10 to 44). Contact the factory if mounting packs are required for thicker doors.

Matching non-locking ladder pulls are stocked in all four standard sizes, or custom sizes are available for a quote upon request.

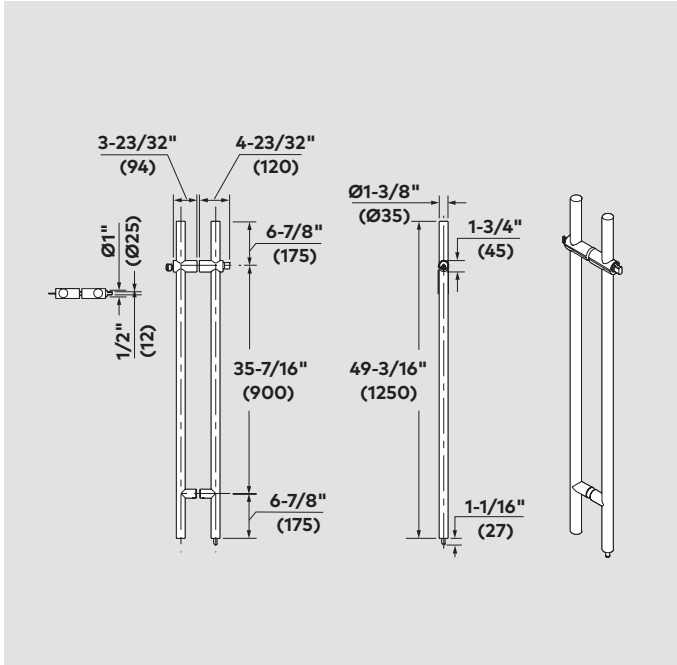
Patented anti-break-in technology



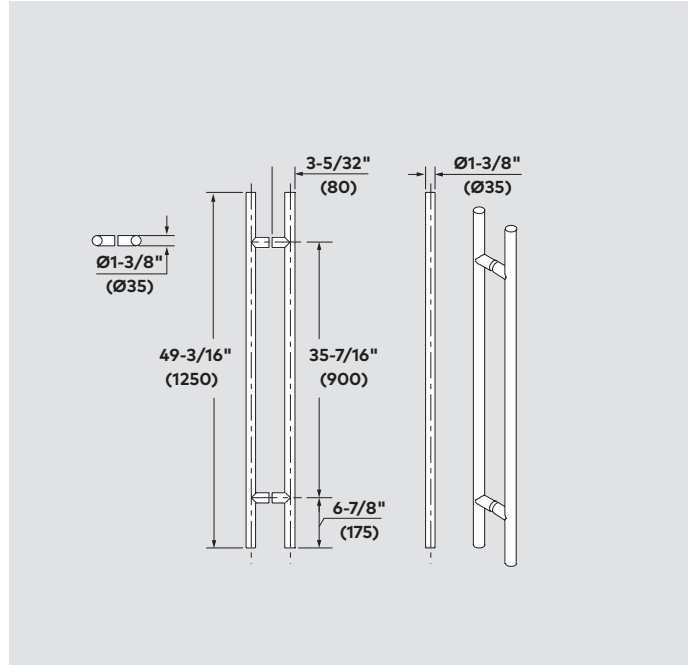
The patented anti-break-in technology conceals cylinder-mounting screws — creating a safer and more secure environment for your office occupants.

49" (1245) TG 138 locking and non-locking ladder pulls

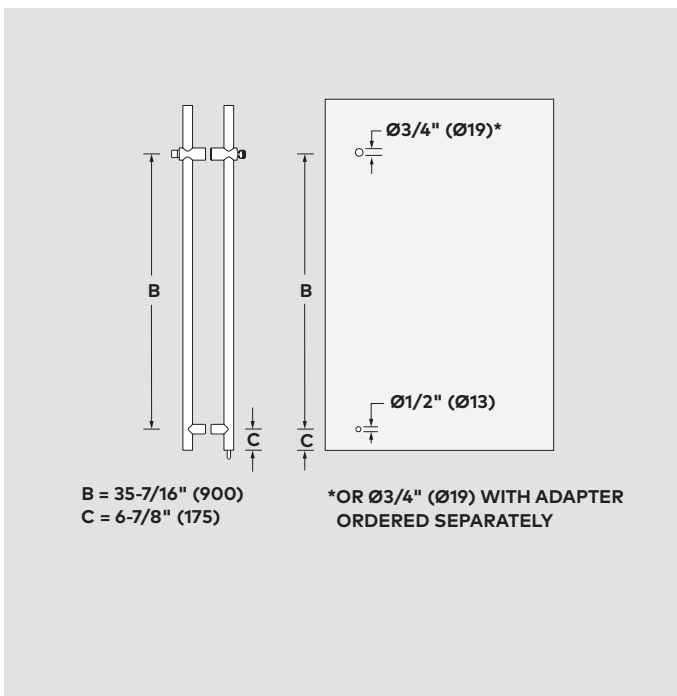
Locking ladder pull details



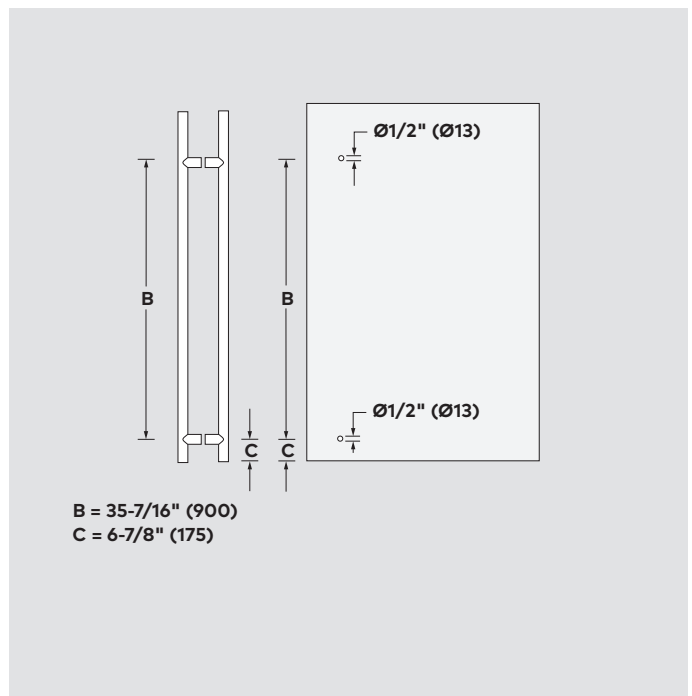
Non-locking ladder pull details



Locking ladder pull glass cutout template



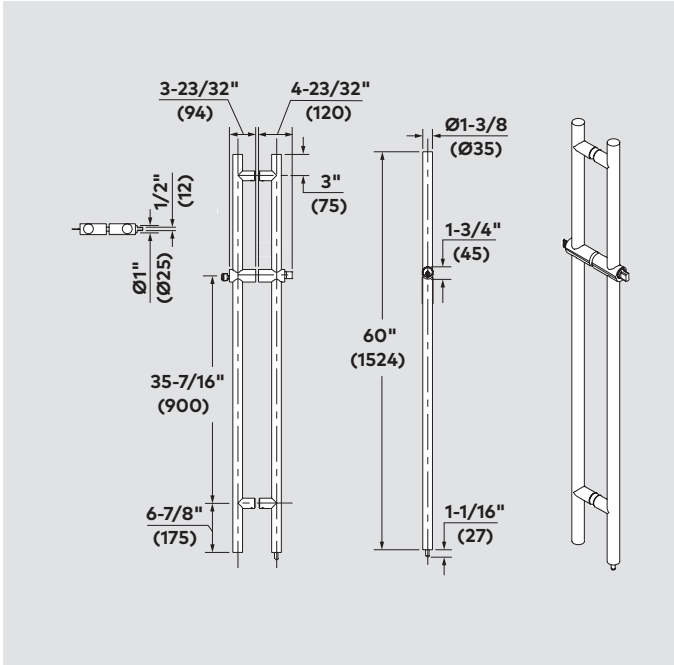
Non-locking ladder pull glass cutout template



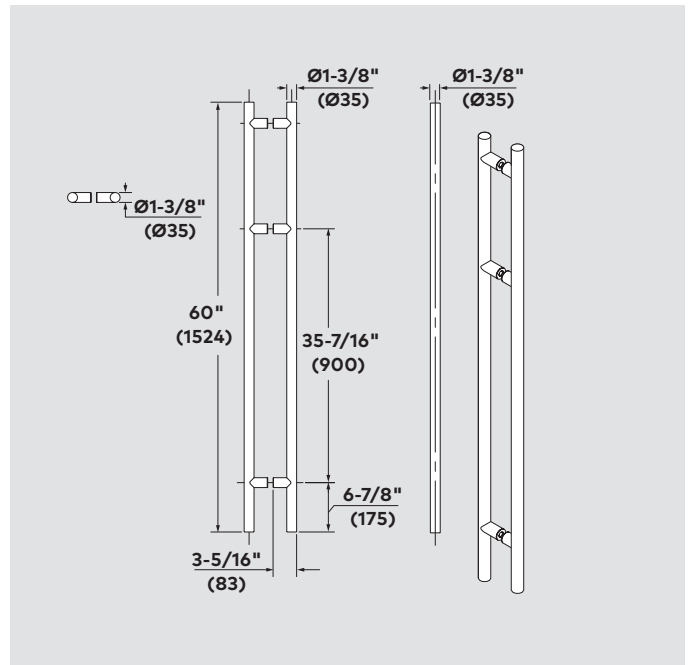
Note: Use this cutout preparation for 49" (1254) single-sided locking ladder pull with cylinder or thumbturn.

60" (1524) TG 138 locking and non-locking ladder pulls

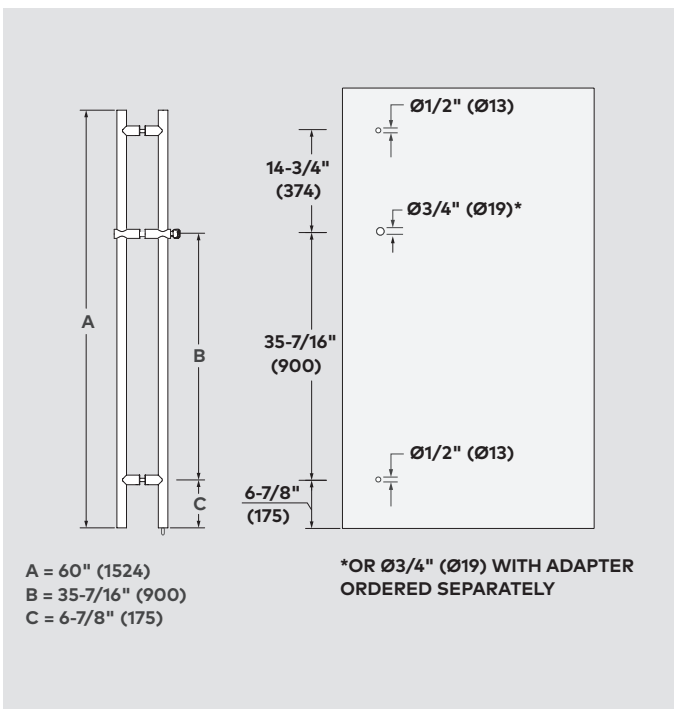
Locking ladder pull details



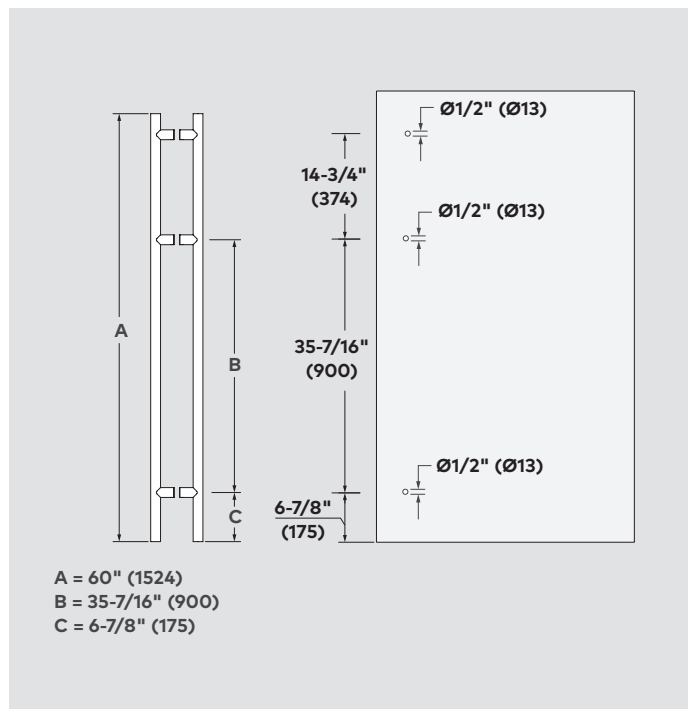
Non-locking ladder pull details



Locking ladder pull glass cutout template

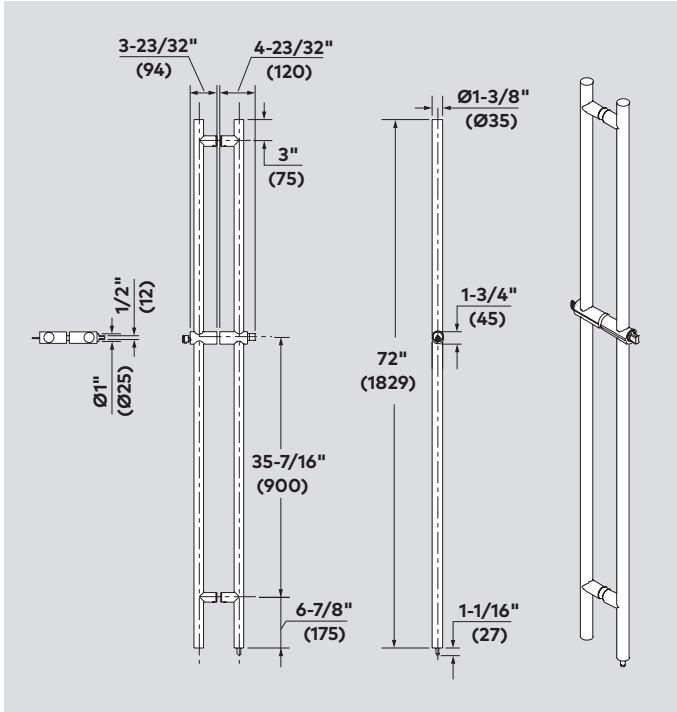


Non-locking ladder pull glass cutout template

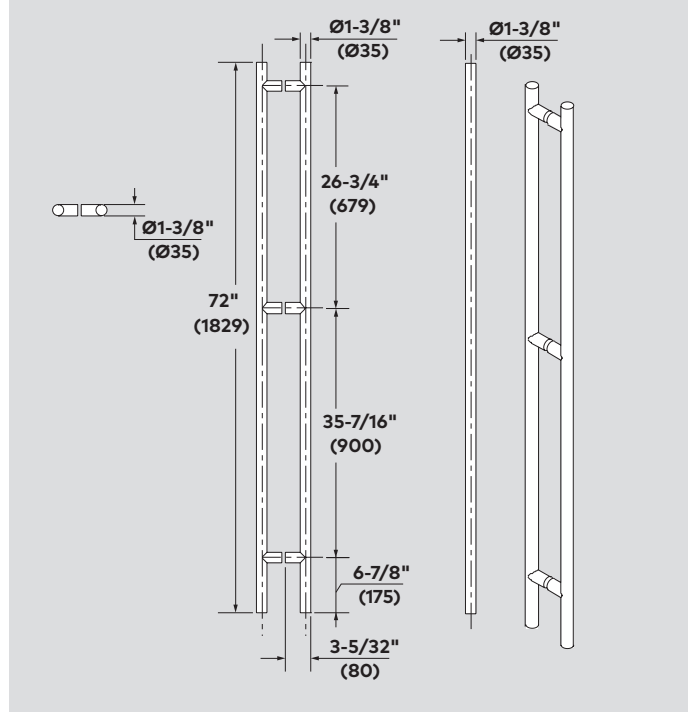


72" (1829) TG 138 locking and non-locking ladder pulls

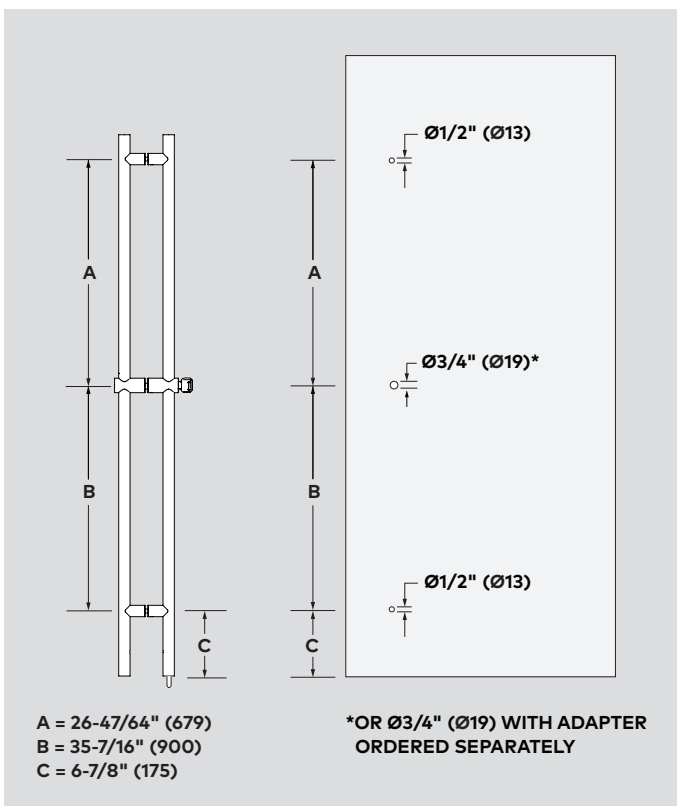
Locking ladder pull details



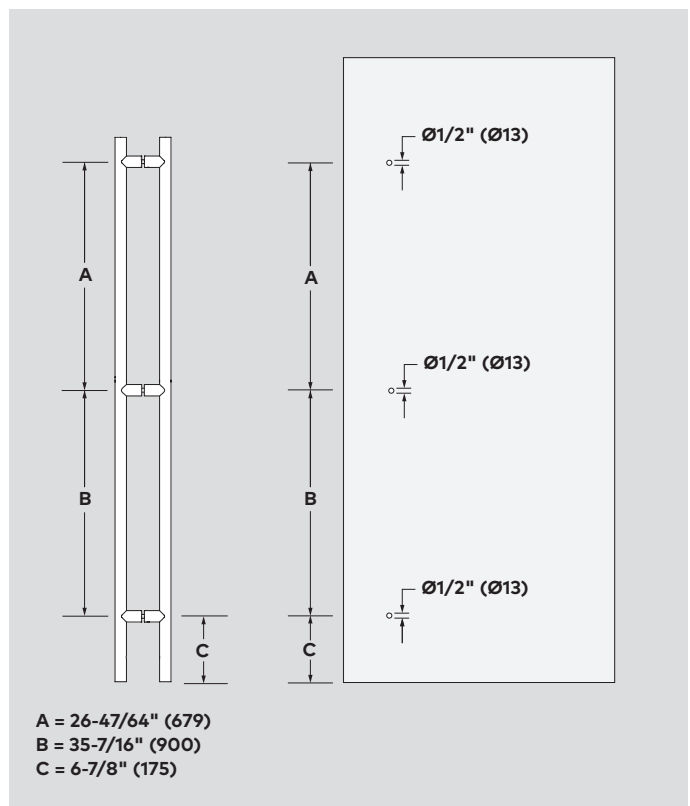
Non-locking ladder pull details



Locking ladder pull glass cutout template

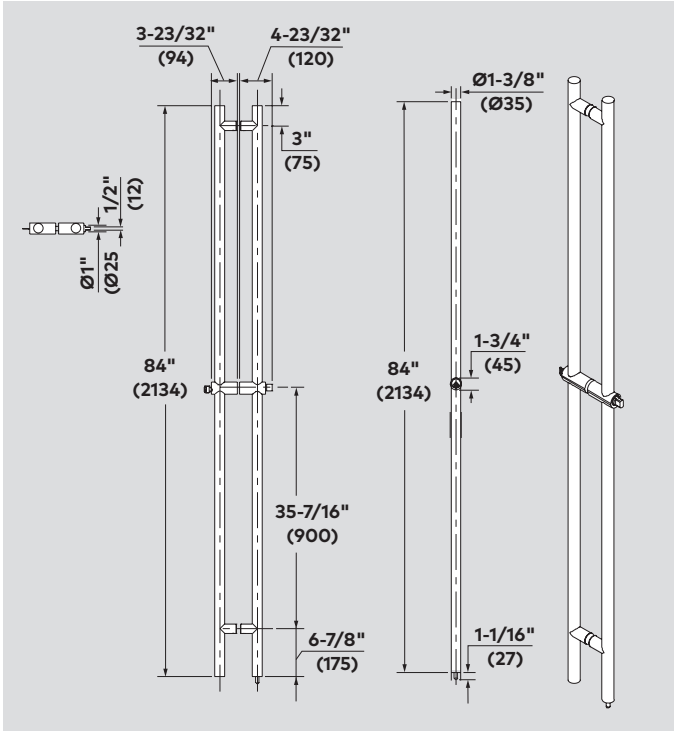


Non-locking ladder pull glass cutout template

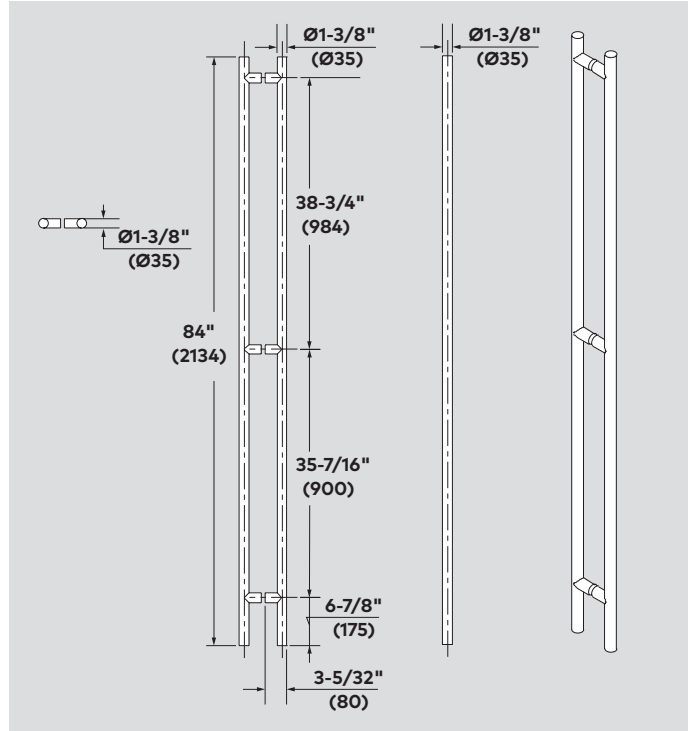


84" (2134) TG 138 locking and non-locking ladder pulls

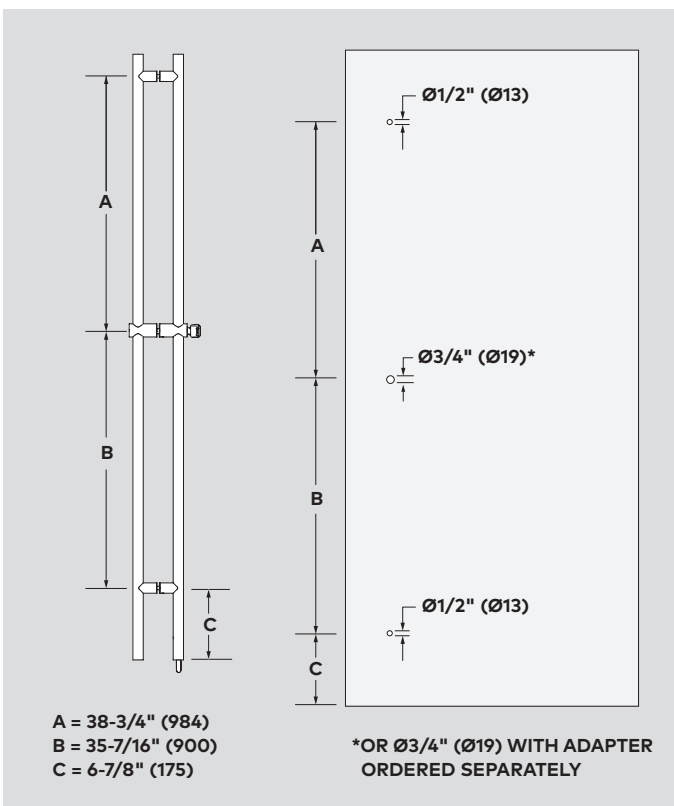
Locking ladder pull details



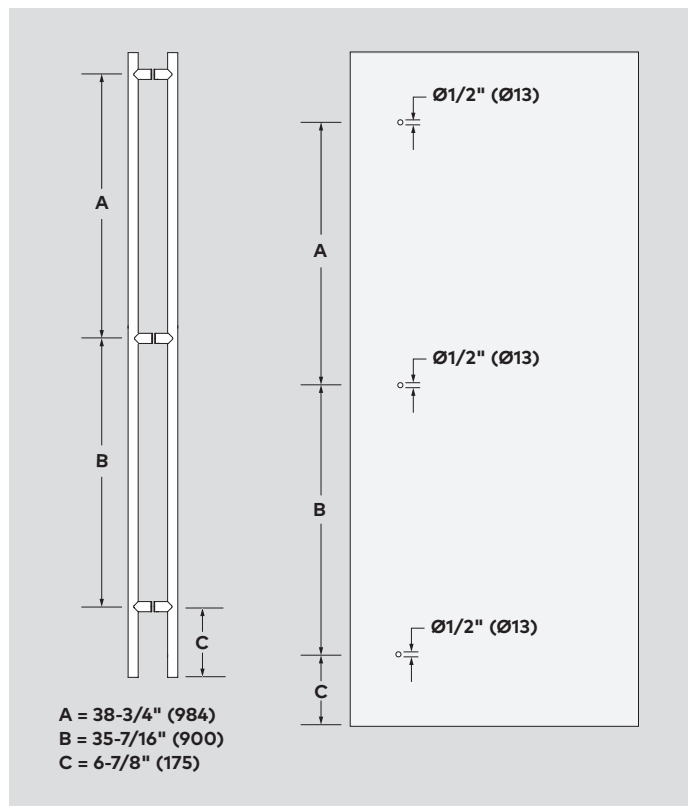
Non-locking ladder pull details



Locking ladder pull glass cutout template

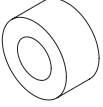

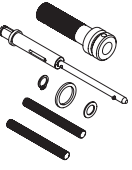
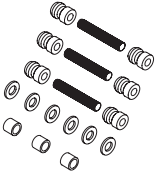
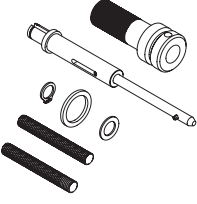
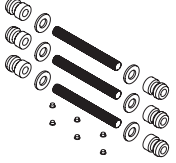



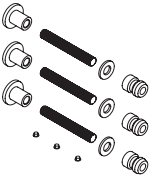
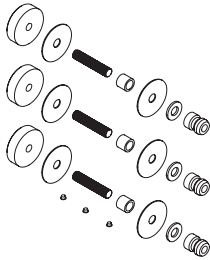
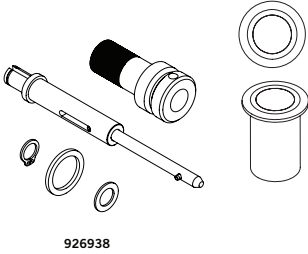
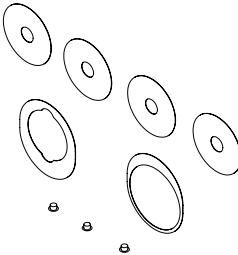
Non-locking ladder pull glass cutout template



TG 138 locking and non-locking ladder pulls

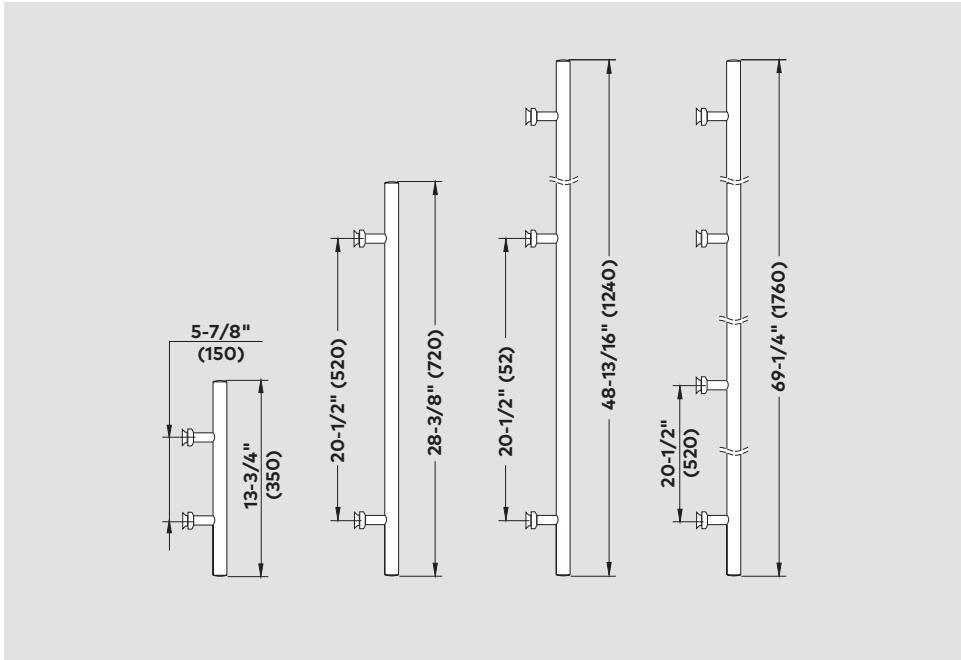
Mounting pack options

Option	Ref. #	Description	Door thickness
	926.891	Adaptor, .75 adaptor allows Non-Locking Pull to install in Locking Post Prep	–
	926.937	Strike, Dustproof, Standard	–
	926.890	Mounting Pack, Back-to-back Lock Post, Non-Locking Posts	1-3/4" (44)
	926.941	Mounting Pack, Back-to-back, Non-Locking	3/8" – 3/4" (10 – 19)
	926.911	Mounting Pack, Back-to-back, Locking	3/4" (19)
	926.909	Mounting Pack, Back-to-back Non-Locking Post	1-3/8" – 1-3/4" (34 – 44)

Option	Ref. #	Description	Door thickness
	926.910	Mounting Pack, SNG Blind, 3 each in pack (Will not project through door)	min. 1-3/4" (44)
	926.908	Mounting Pack, Single Non-Locking x Sex Nut	3/4" – 3-1/8" (19 – 80)
	926.906	Mounting Pack, Single Non-Locking x Rose	3/8" – 3/4" (10 – 19)
 <p data-bbox="237 1486 285 1503">926938</p>	926.938	Locking Mechanism only	1/2" (13)
	926.939	Washer Pack	-

MANET handles

MANET handles, single side



Single side with clamping disk single point mounting for 3/8" (10) and 1/2" (12) glass. 316L stainless steel base material.

MANET handles, single side

13-3/4" (350) O.A.
2-hole mounting for 3/8" (10) and 1/2" (12) glass thickness

Ref. # 821.240

MANET handles, single side

28-3/8" (720) O.A.
2-hole mounting for 3/8" (10) and 1/2" (12) glass thickness

Ref. # 821.241

MANET handles, single side

48-13/16" (1240) O.A.
3-hole mounting for 3/8" (10) and 1/2" (12) glass thickness

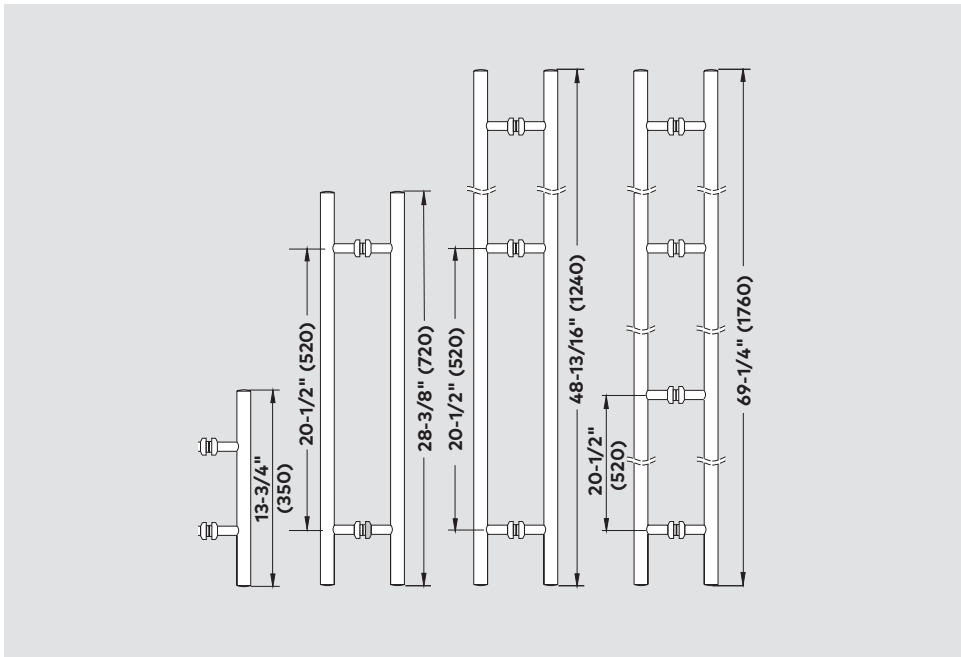
Ref. # 821.242

MANET handles, single side

69-5/16" (1760) O.A.
4-hole mounting for 3/8" (10) 1/2" (12) glass thickness

Ref. # 821.243

MANET handles, back-to-back



Back-to-back including connecting bolt for 3/8" (10) and 1/2" (12) glass. 316L stainless steel base material.

MANET handles, back-to-back

13-3/4" (350) O.A.
2-hole mounting for 3/8" (10) and 1/2" (12) glass thickness

Ref. # 821.267

MANET handles, back-to-back

28-3/8" (720) O.A.
2-hole mounting for 3/8" (10) and 1/2" (12) glass thickness

Ref. # 821.270

MANET handles, back-to-back

48-13/16" (1240) O.A.
3-hole mounting for 3/8" (10) and 1/2" (12) glass thickness

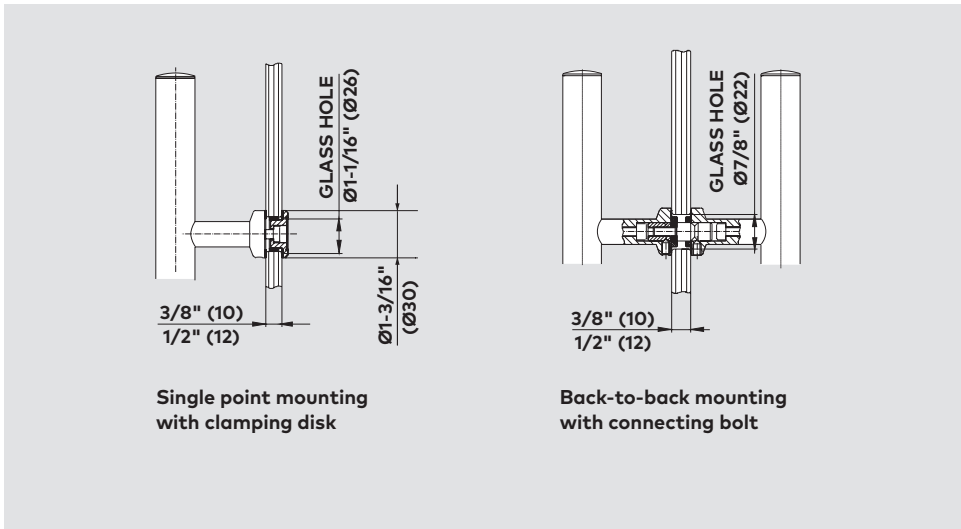
Ref. # 821.273

MANET handles, back-to-back

69-5/16" (1760) O.A.
4-hole mounting for 3/8" (10) 1/2" (12) glass thickness

Ref. # 821.276

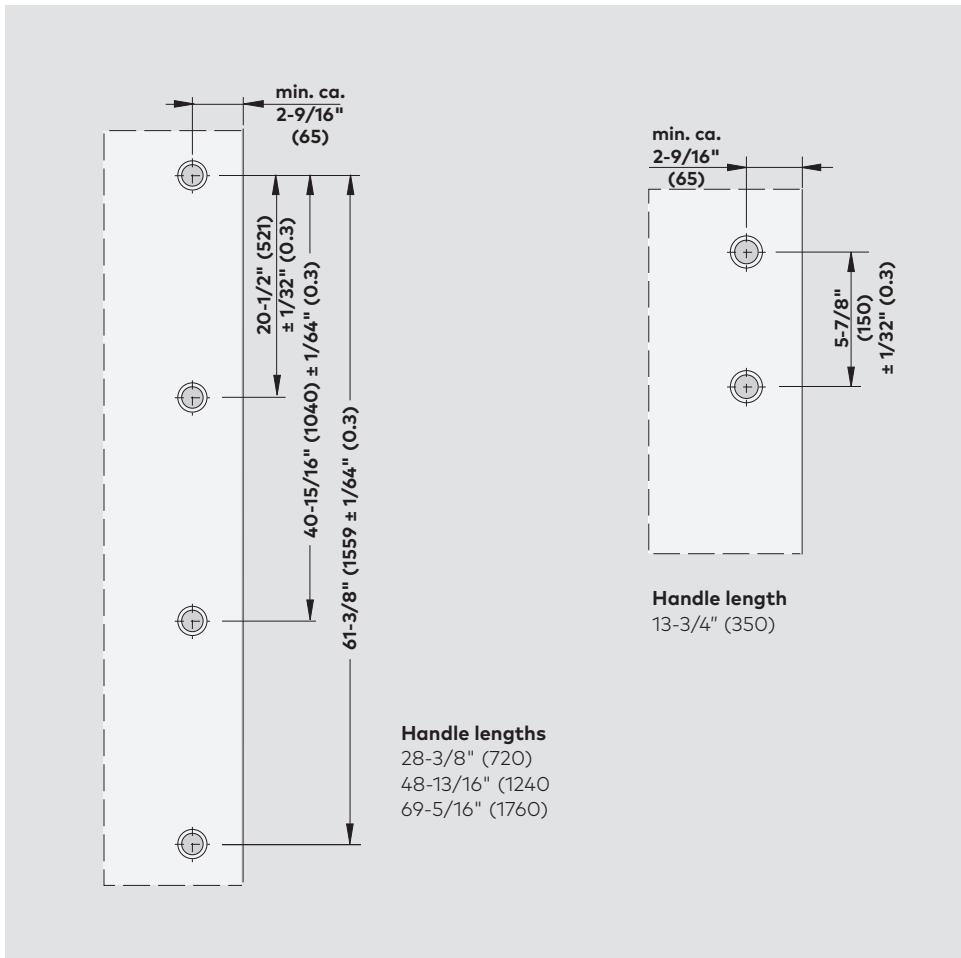
MANET handles, glass hole details



Single point mounting with clamping disk

Back-to-back mounting with connecting bolt

MANET handles, glass fabrication



Handle lengths
 28-3/8" (720)
 48-13/16" (1240)
 69-5/16" (1760)

Handle length
 13-3/4" (350)

ARCOS handles

ARCOS handle details

ARCOS Handles
 13-3/4" (350) C to C
 2-hole fixing for 3/8" (10)
 1/2" (12) glass thickness
Ref. # 826.500

ARCOS Handles
 29-1/2" (750) C to C
 2-hole fixing for 3/8" (10)
 1/2" (12) glass thickness
Ref. # 826.510

CYLINDRICAL BORE

Ø5/8" (Ø16)
 3-1/8" (79)
 Ø5/8" (Ø16)
 GLASS THICKNESS

ARCOS glass fabrication

GRUB SCREW
 BUSHING
 CONNECTING BOLT

3-11/32" (85)
 2-5/32" (55)
 13-3/4" / 29-1/2" (350 / 750)
 DRILL HOLE CENTERS
 15-11/16" / 32-15/32" (398 / 824)
 GLASS THICKNESS

BEYOND handles

BEYOND handle details

Length (L)	Ref. #
17-3/4" (450)	830.300
23-5/8" (600)	830.305
35-7/16" (900)	830.310

BEYOND handle
for 3/8" (10) and 1/2" (12) glass, two-hole attachment.

Available finish
(107) Similar to Satin Stainless finish.

Economy pull handles (solid and tubular)

10" (254) handles

12" (305) handles

Handles, back-to-back pulls
tube, 10" (254)
Ref. # 926.001 (solid)
Ref. # 926.601 (tubular)

Handles, single side
tube 10" (254)
Ref. # 926.012 (solid)
Ref. # 926.612 (tubular)

GLASS CUT \varnothing 5/8" (16)

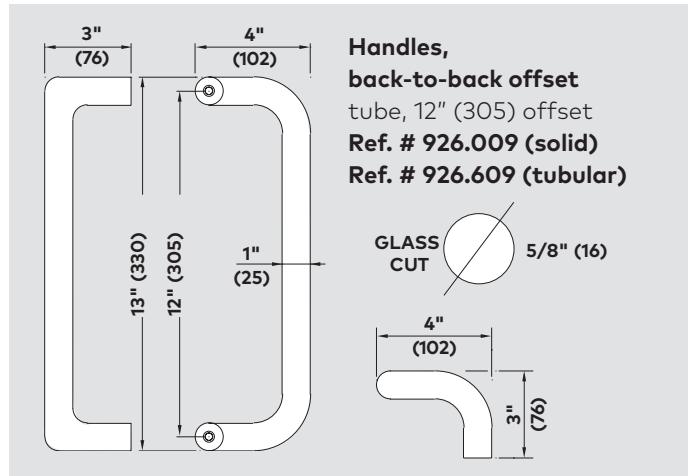
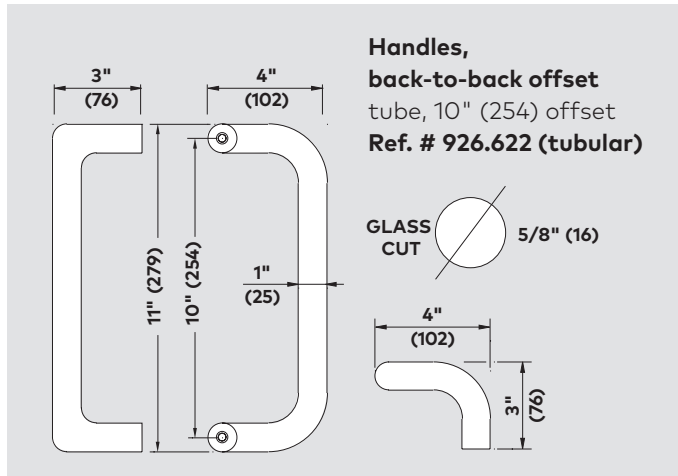
Handles, back-to-back pulls
tube, 12" (305)
Ref. # 926.004 (solid)
Ref. # 926.604 (tubular)

Handles, single side
solid tube 12" (305)
Ref. # 926.016 (solid)
Ref. # 926.616 (tubular)

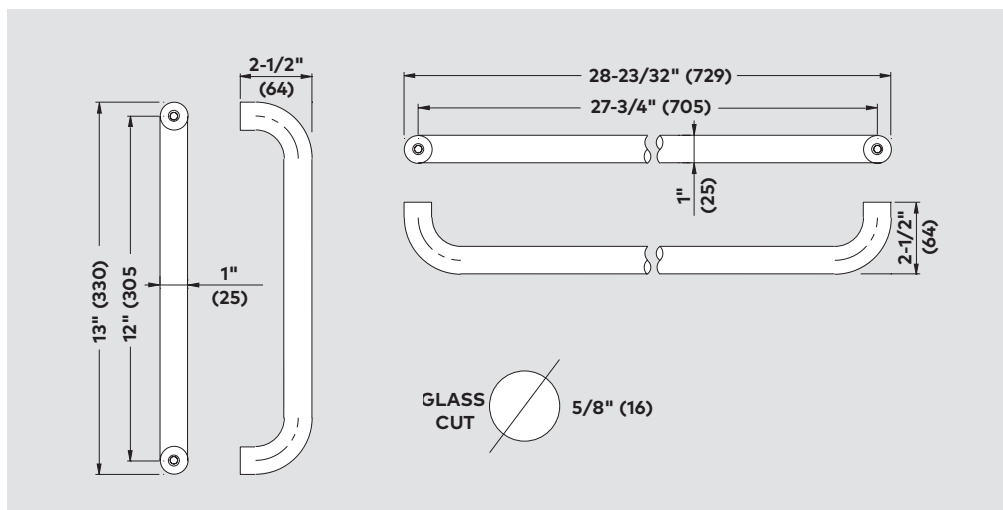
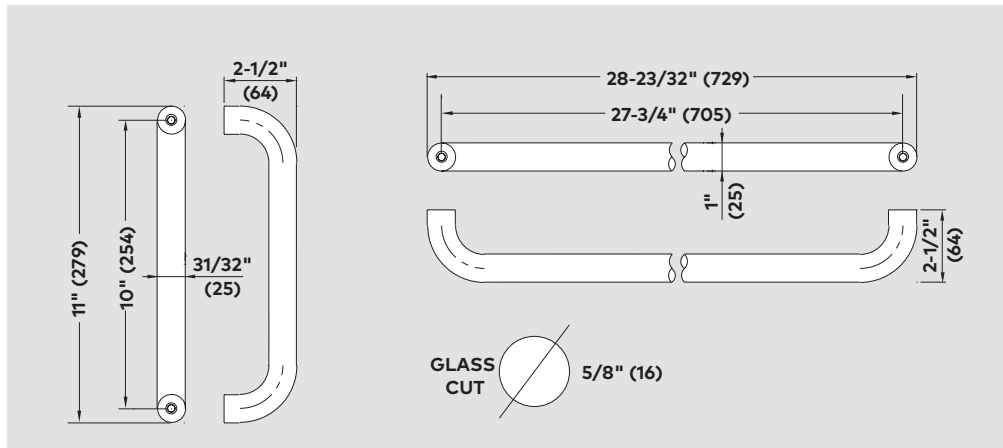
GLASS CUT \varnothing 5/8" (16)

Economy pull handles (solid and tubular)

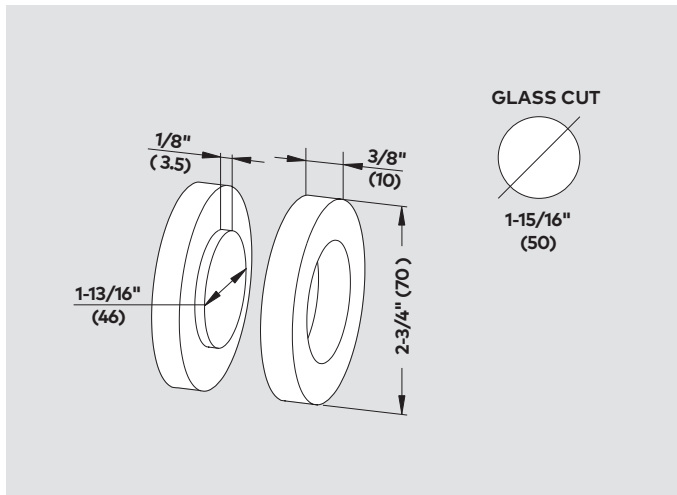
Offset back-to-back handle – 10" (254) Offset back-to-back handle – 12" (305)



Push/pull handles



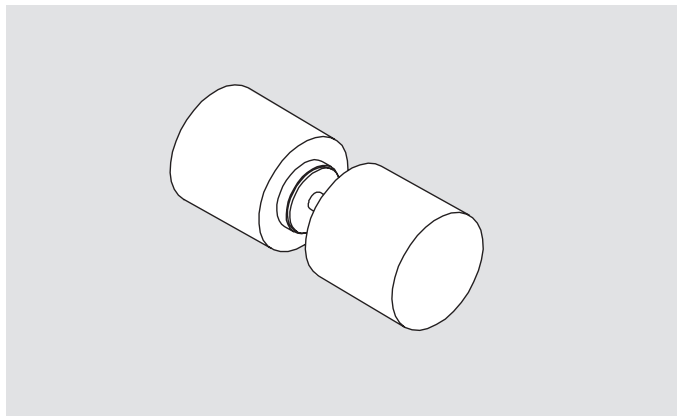
Flush pulls and glass knobs



Flush pull

aluminum, to be glued onto the glass
— requires glass cut

Ref. # 907.200



Glass knob

$\text{Ø}1\text{-}15/32''$ (Ø37),
projection $1\text{-}1/4''$ (32),
glass prep: drill $3/8''$ or $1/2''$
(10 or 12) Ø hole for
 $3/8''$ or $1/2''$ (10 or 12) glass thickness

Ref. # 906.999



www.dormakaba.com

DORMA USA, Inc
Dorma Drive, Drawer AC
Reamstown, PA 17567
800.523.8483

1:17CT • 2M • 07000466