

# MUTO

## E-Lock



### Features

- Quiet operation
- Low power consumption
- No residual magnetism
- Compact design fits inside MUTO track/jamb (fully concealed)
- Easy installation
- Use with MUTO XL150 DM/80 DM, XL 150, XL 120 SC (specify)

### Concealed peace of mind

MUTO E-Lock is designed to work with MUTO Premium XL Manual Sliding Door Systems.

The E-Lock is used to add security and privacy to interior spaces. Designed to interface with MUTO Premium XL ceiling mount installations, it is used to lock the sliding door panel closed under normal operation. The MUTO E-Lock interfaces with any access control system.

### Applications

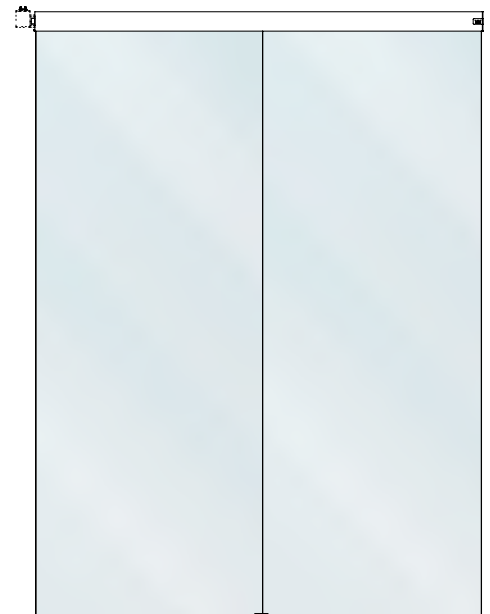
- Offices
- Closets
- Restrooms

### Verticals

- Hospitality
- Retail and commercial
- Entertainment

### Components

- Magnet
- Armature
- Wiring harness
- Circuit board
- Armature bracket



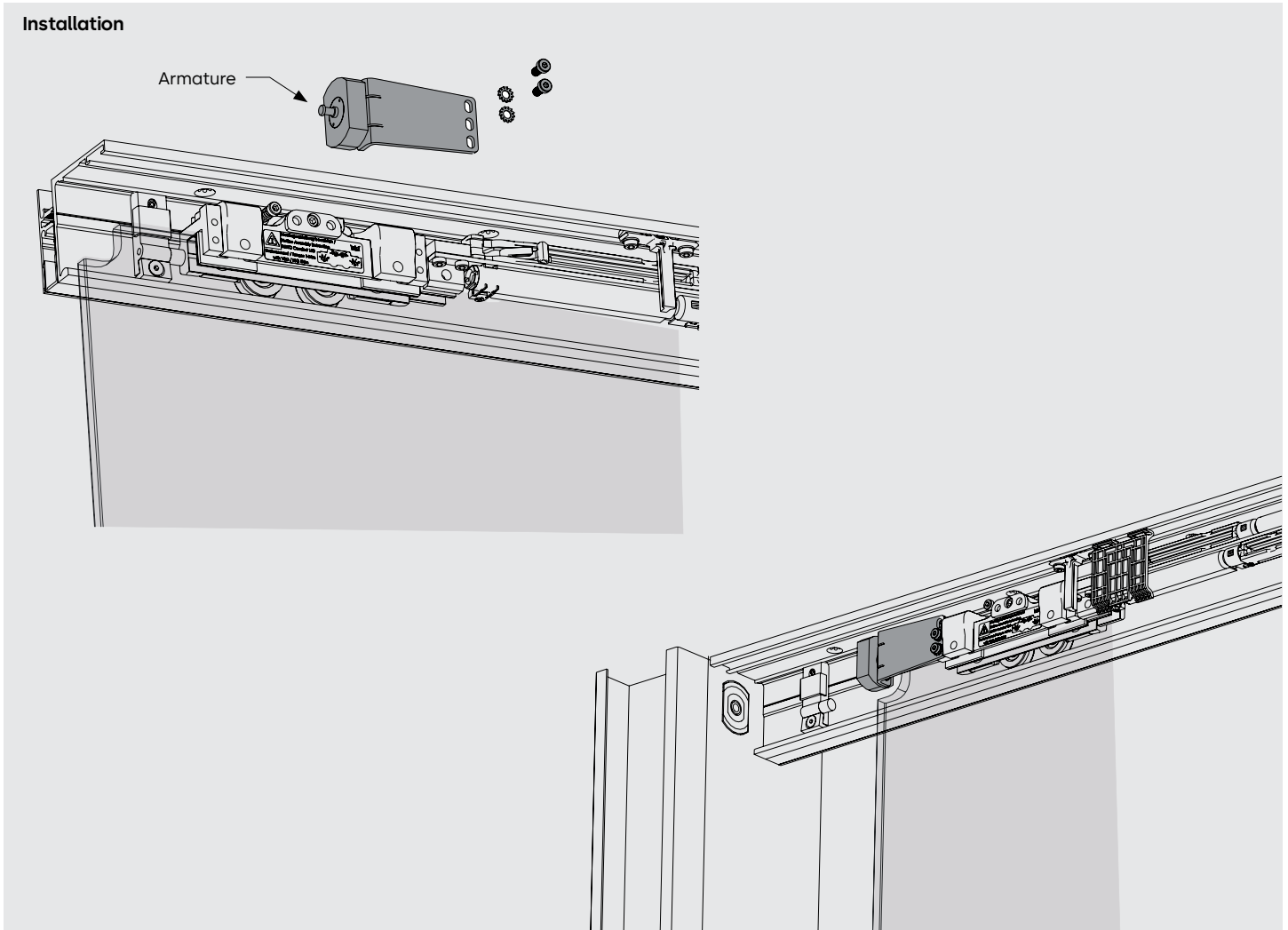
## MUTO E-Lock

Offering maximum simplicity, MUTO E-Lock fits directly into the track and jamb, leaving it fully concealed after installation. The armature is attached to the leading edge (closing side) roller carrier and is fully concealed in the MUTO track. The armature requires a 1-1/16" (27) radius glass preparation. The magnet and circuit board are installed in the wall or jamb.

## Specifications

<b>Housing dimension</b>	1-3/4" (44) W x 1-3/16" (30) H x 21/32" (17) D
<b>Armature dimension</b>	1-3/4" (44) W x 1-3/16" (30) H x 1/2" (13) D
<b>Voltage</b>	12-24vdc
<b>Power/current requirements</b>	0.26 Amp @ 12vdc / 0.14 Amp @ 24vdc
<b>Operating mode</b>	Fail-Safe
<b>Holding force</b>	880 lb
<b>Output relays</b>	Alarm Relay Output

## Installation



© dormakaba 2024 Information on this sheet is intended for general use only. dormakaba reserves the right to alter designs and specifications without notice or obligation.

**Any questions? We would be happy to advise you.**  
Contact us at: 1-800-265-6630