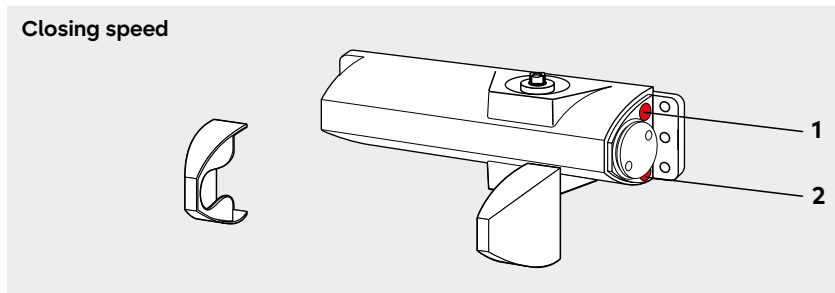


# TS 90 Impulse EN 3/4

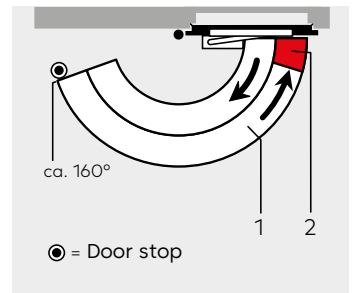
## Door closer



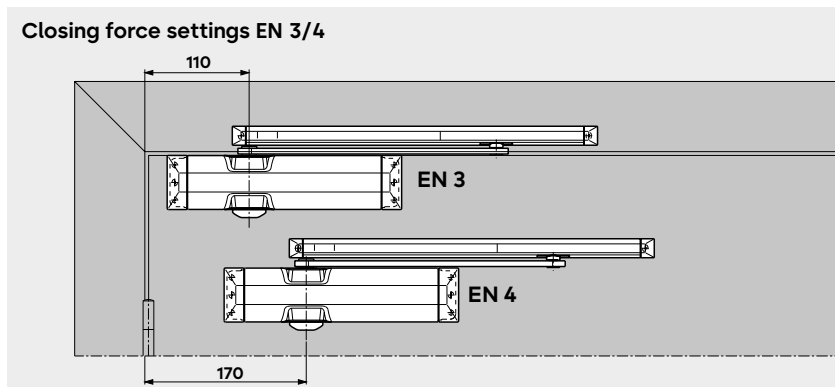
# Standard and optional Functions



The closing speed of the TS 90 Impulse is adjustable in two independent ranges at the valves indicated.

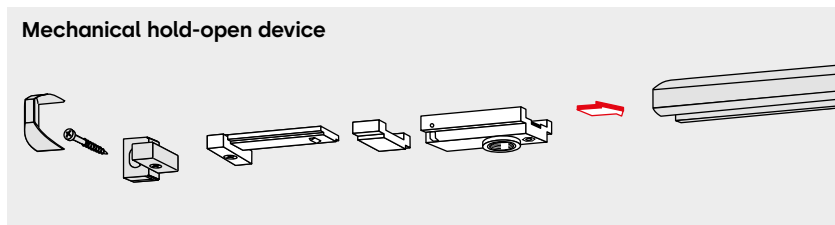


- 1 Infinitely variable closing speed in the range 160° – 15°
- 2 Infinitely variable closing speed in the range 15° – 0°



Door width	size setting
≤ 950 mm	EN 3
≤ 1100 mm	EN 4

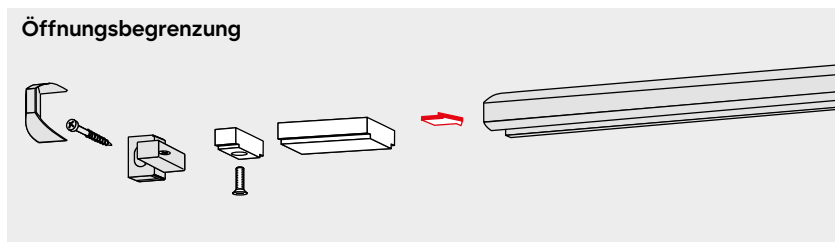
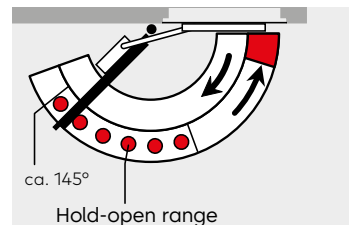
The TS 90 Impulse size setting is selected for the door width by the closer.



The hold-open device enables doors to be precisely held without any fall-back up to an opening angle of approx. 145°.

The hold-open device is suitable for both LH and RH doors and is designed for retrofitting to the slide channel.

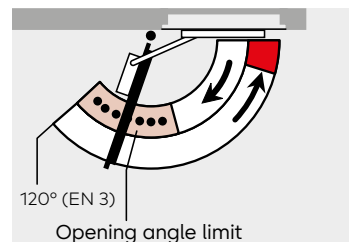
**Not for fire and smoke doors**



Cushioned limit stay for retro fitting by insertion in the slide channel. Adjustable between 80° and max. 120°.

Use of the cushioned limit stay helps to prevent a normally opened door from colliding with adjacent walls.

**The cushioned limit stay is not an overload protection device and in many cases is no substitute for a door stop.**  
Only for the use with TS 90 Impulse size EN 3



# High-Tech for the global Market

The TS 90 Impulse combines technical superiority with outstanding value, and unites advanced design with convenient functionality – all on the basis of its heart-shaped cam.

With its installation versatility and inherent functional reliability, it is ideal for virtually any application.

Certified to ISO 9001

## Benefits

### For the trade

- Unique cam action technology for the entry-level segment, compliant with EN 1154
- Complete package for easy stocking
- Sets new standards to open up new markets

### For the installer/fabricator

- Easy to fix without mounting backplate
- Non-handed
- Four installation arrangements with one model
- Proven quality for long service life

### For the architect/specifier

- Proven technology of the heart-shaped cam
- Cost-efficient slide channel door closer for interior doors

### For the user

- Convenient, low-resistance opening with fully controlled closing
- Two regulating valves for precise adjustment of closing speed
- Available with hold-open and cushioned limit stay options

## Data and features

## TS 90 Impulse

Data and features		TS 90 Impulse
Closing force	Size	EN 3/4
Standard doors <sup>1)</sup>	≤ 1100 mm	●
External doors, outward opening <sup>1)</sup>		–
Fire and smoke check doors <sup>1)</sup>	≤ 1100 mm	●
Same design for DIN-L and DIN-R		●
Slide channel		●
Two independent valves for closing speed adjustment		●
Cushioned limit stay (mechanical)		○
Delayed action		–
Hold-open		○
Weight in kg		1,7
Dimensions in mm	Length	246
	Overall depth	46
	Height	57
Door closer compliant with EN 1154		●
CE-mark or construction products		●

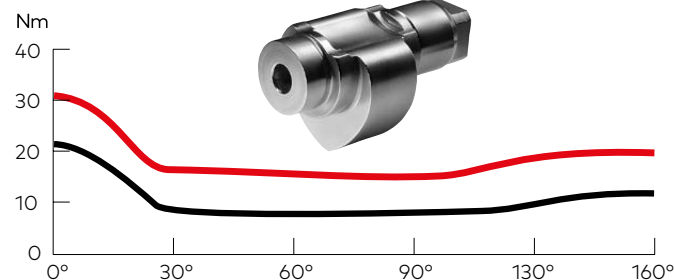
● yes    – no    ○ Option

<sup>1)</sup> In the case of particularly heavy doors and doors that have to close against wind pressure, we recommend the dormakaba TS 93.



easy open

## Cam Action Force profiles

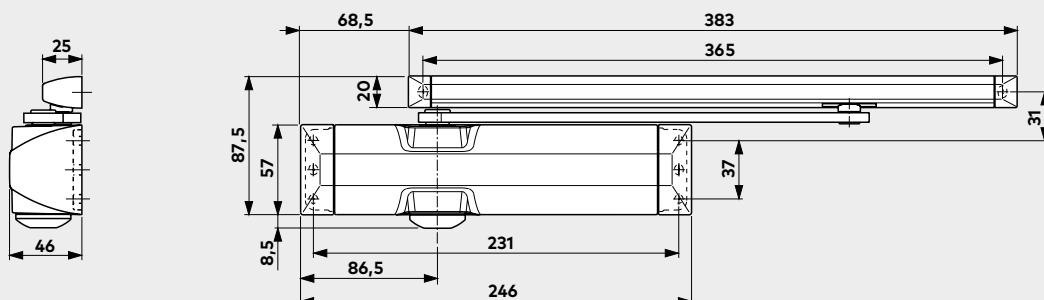


The unique heart-shaped cam and the linear drive mechanism ensure that the resistance encountered decreases almost instantly with the door opening action.

User-friendly and reliable closing is also ensured by the delayed increase in the actuating torque at the "latching" end of the sweep.

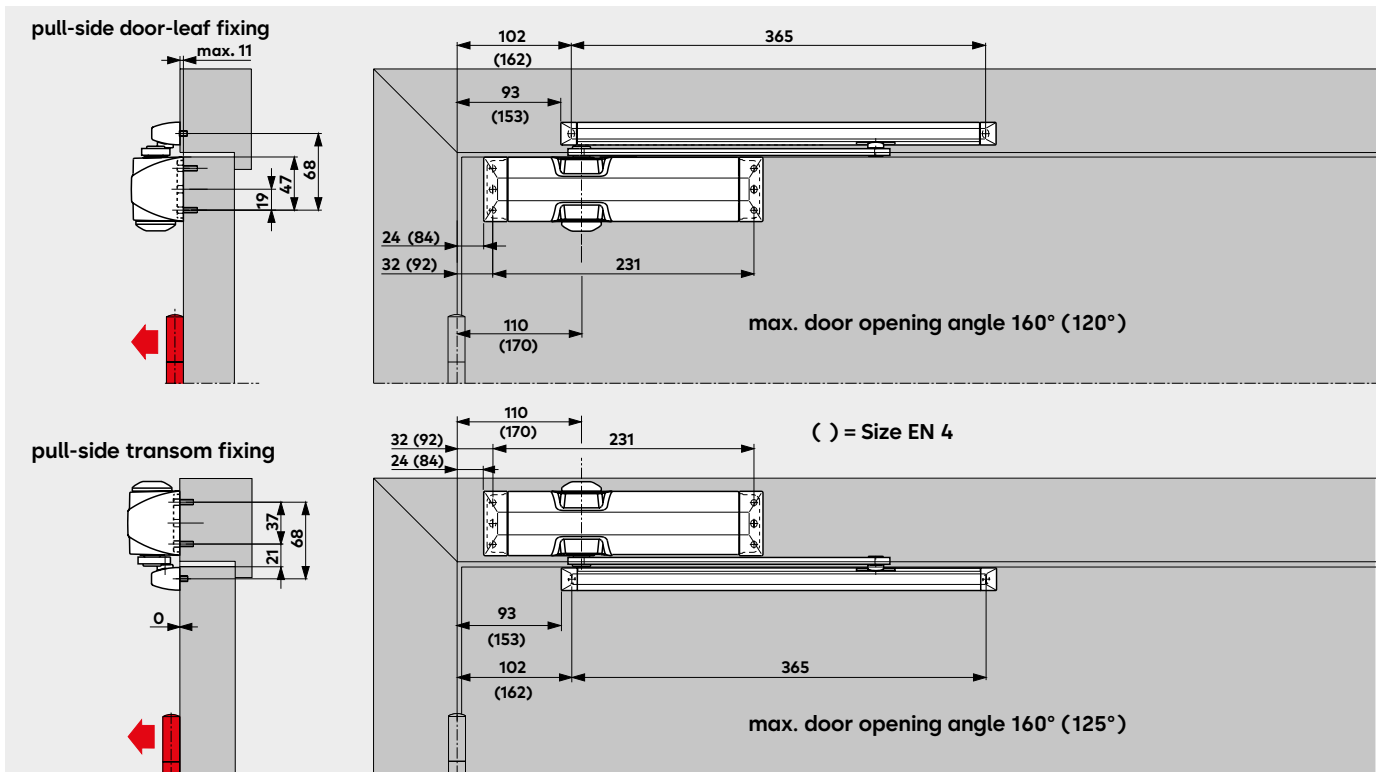
— Opening force  
— Closing force

(Spring strength: EN 3)



## Pull-side fixing

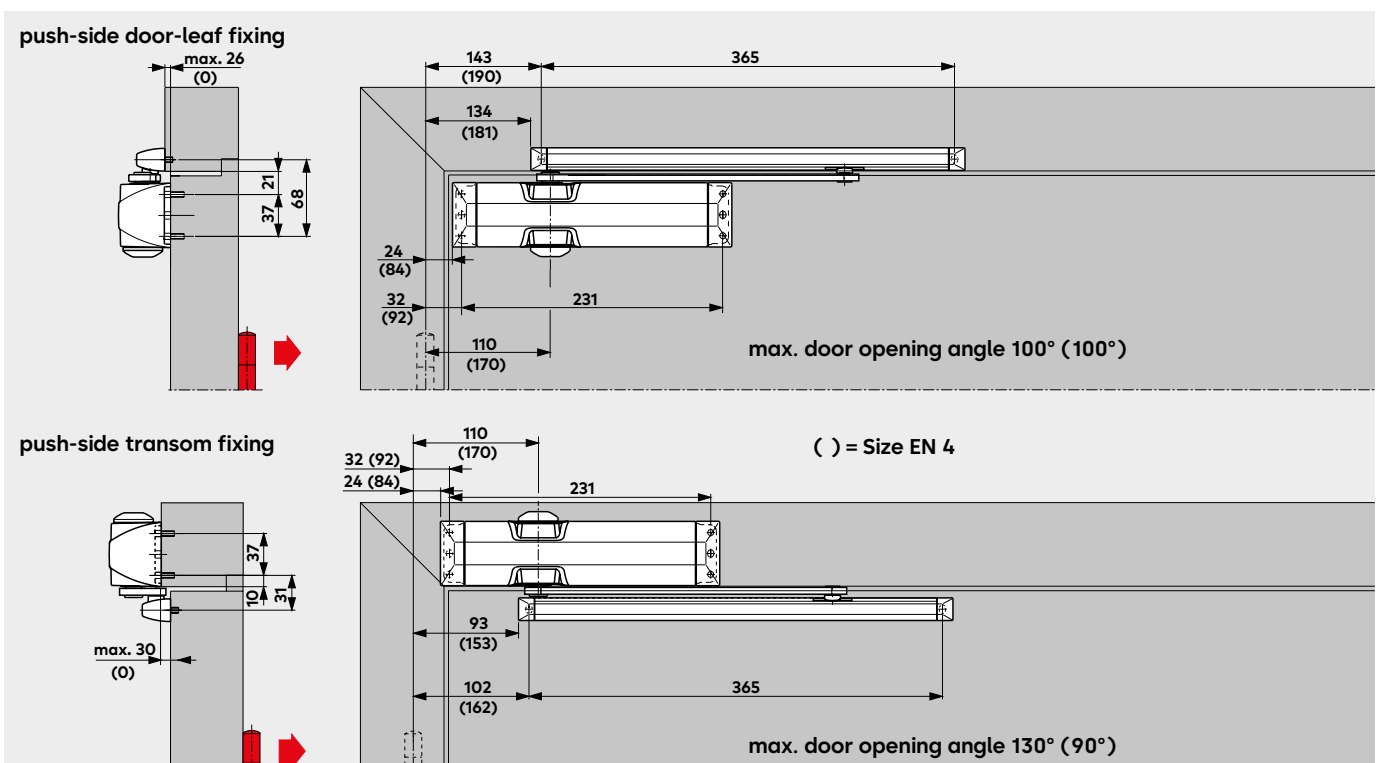
(example: LH/iso 6 door; mirror image for RH/iso 5 door)



Depending on the structural conditions, the door opening angle is likely to be limited. It is recommended to install the cushioned limit stay or position a door stop at this point. A door stop must be installed in the case of fire and smoke check doors.

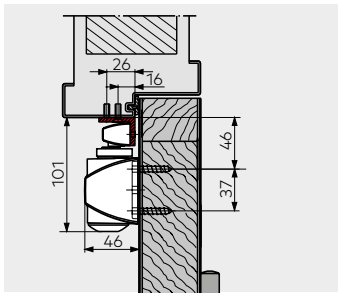
## Push-side fixing

(example: RH/ISO 5 door; mirror image for LH/ISO 6 door)



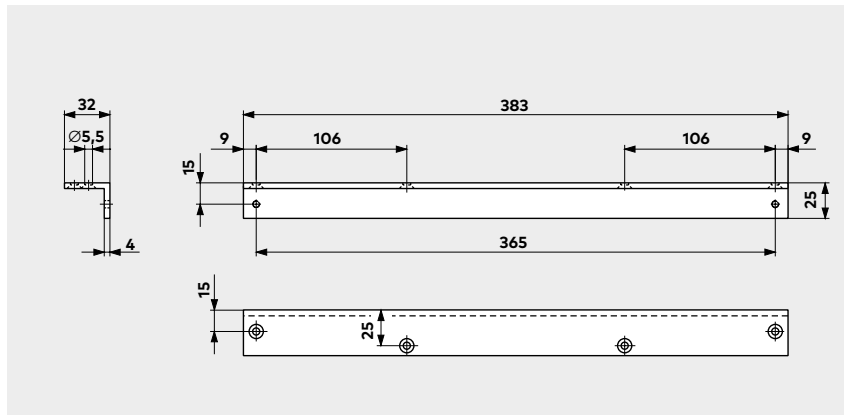
Depending on the structural conditions, the door opening angle is likely to be limited to approx. 95°. It is recommended to install the cushioned limit stay or position a door stop at this point. As the door opening is limited to 95° the TS90 is not CE marked on the push side of the door. BS EN1154 requires minimum closing from 105°.

## Accessories



### Angle bracket

For push-side fixing of the slide channel to door frames with a deep reveal.



## Standard equipment and accessories

	Cam-action door closer TS 90 Impulse Size EN 3/4	Angle bracket 100030xx	Cushioned limit stay 10002000	Mechanical hold-open device 10002100
Slide channel 102004xx	■ 102004xx	△	△	△

### Order No:

- = Closer body with slide channel, complete
- △ = Accessory

### Colour

- silver 01
- white (sim. RAL 9016) 11

### xx

## Specification text

Universal cam-action door closer with linear drive and rapidly decreasing opening torque; closing speed adjustable in two independent ranges. Closing force = size en 3/4. Non-handed.

Compliant with EN 1154.

### Accessories

- Angle bracket
- Hold-open device
- Cushioned limit stay

### Colour

- silberfarbig
- weiss (vgl. RAL 9016)

### Make

TS 90 Impulse EN 3/4

## Our Sustainability Commitment

We are committed to foster a sustainable development along our entire value chain in line with our economic, environmental and social responsibilities toward current and future generations. Sustainability at product level is an important, future-oriented approach in the field of construction. In order to give quantified disclosures of a product's environmental impact through its entire life cycle, dormakaba provides Environmental Product Declarations (EPD), based on holistic life cycle assessments.

[www.dormakaba.com/sustainability](http://www.dormakaba.com/sustainability)



## Our offering

### Access Automation Solutions

Entrance Automation  
Entrance Security



### Access Control Solutions

Electronic Access & Data  
Escape and Rescue Systems  
Lodging Systems



### Access Hardware Solutions

Door Closers  
Architectural Hardware  
Mechanical Key Systems



### Services

Technical Support  
Installation and commissioning  
Maintenance and Repair



WN 05323051532, EN, 08/2023  
Subject to technical modifications.



[dormakaba.com](http://dormakaba.com)

**dormakaba**  
**International Holding AG**  
Hofwissenstrasse 24  
CH-8153 Rümlang  
T +41 44 818 90 11  
[info@dormakaba.com](mailto:info@dormakaba.com)  
**dormakaba.com**