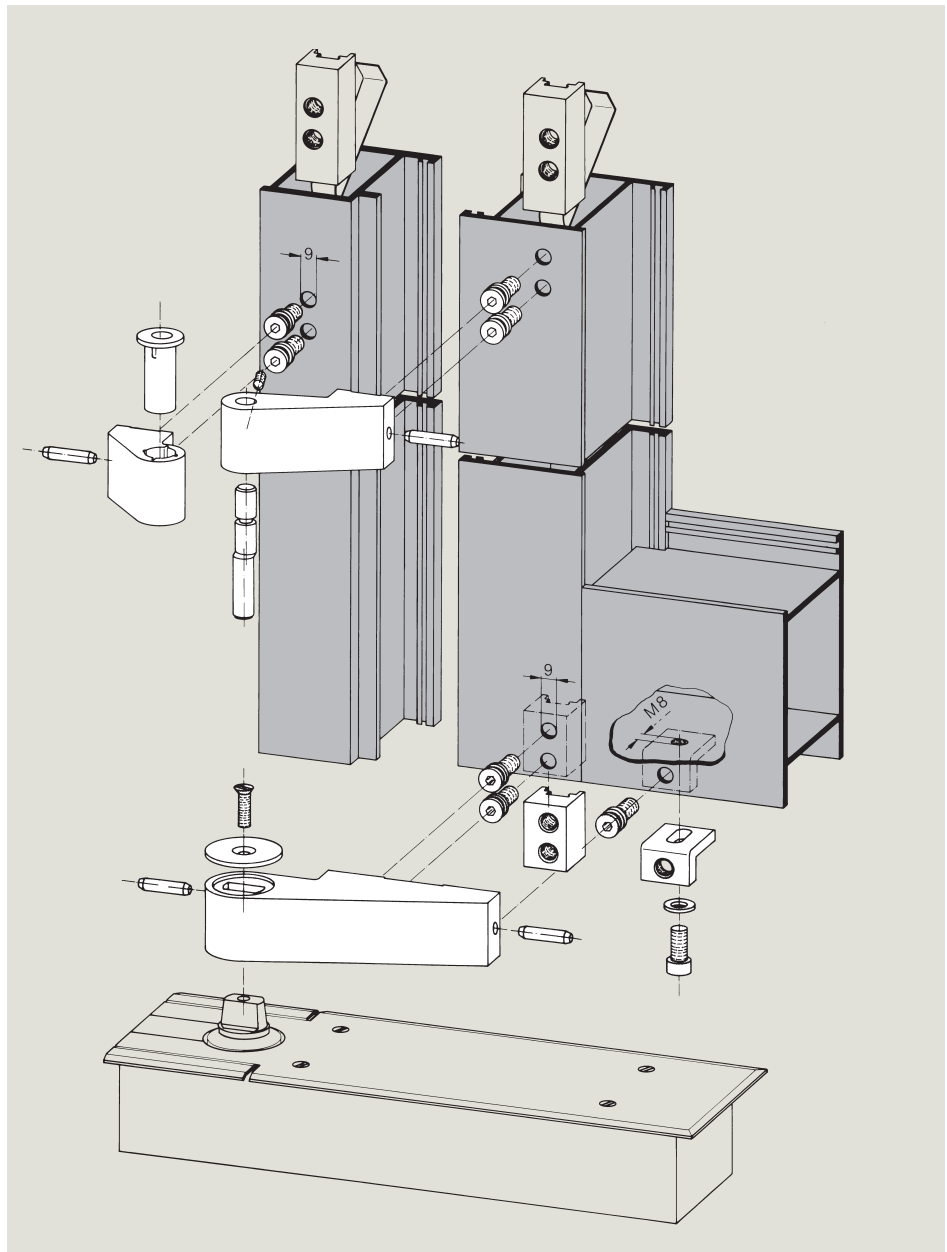


BTS Accessories

For single action aluminium doors

Aluminium door straps

- For flush-closing single action aluminium doors of various types
- Door width up to 1200 mm, door weight up to 120 kg
- Non-handed
- Easy to fix – no milling or routing necessary, only 4 holes to drill
- Fast and simple installation with lock-pin arrangement
- Robust and secure installation with backplates and reinforcing angle bracket on door strap
- Steel insert press-fitted in aluminium door strap gives close tolerance connection to spindle.



Typical installation: dormakaba aluminium hinge, 36 mm, and dormakaba aluminium door strap with BTS floor spring (or alternatively dormakaba pivot bearing).

Aluminium door strap

Art. No. 7459

Silver (EV 1, Euras C-0):

Order No. 45010409

Special colours on request.

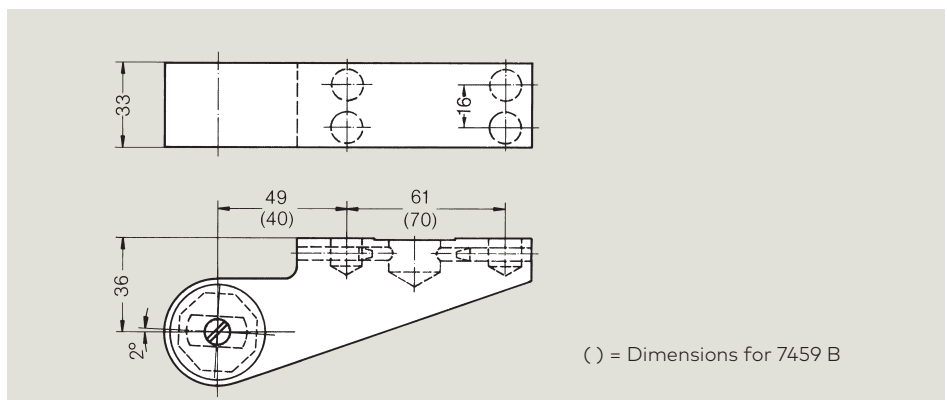
Aluminium door strap

Art. No. 7459 B

Silver (EV 1, Euras C-0):

Order No. 45010482

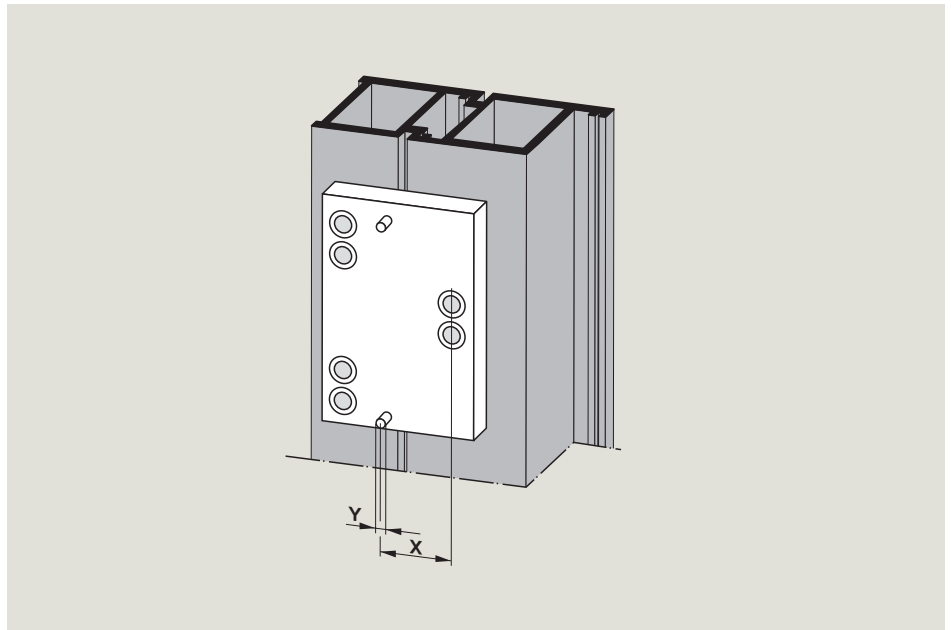
Special colours on request.



() = Dimensions for 7459 B

Drill jig for aluminium hinges

For standard hinges (9 mm dia.),
for IK (insulated construction)
hinges (11 mm dia.) and also
for 2 and 3-part hinges;
indicate dimensions x and y or
the profile.

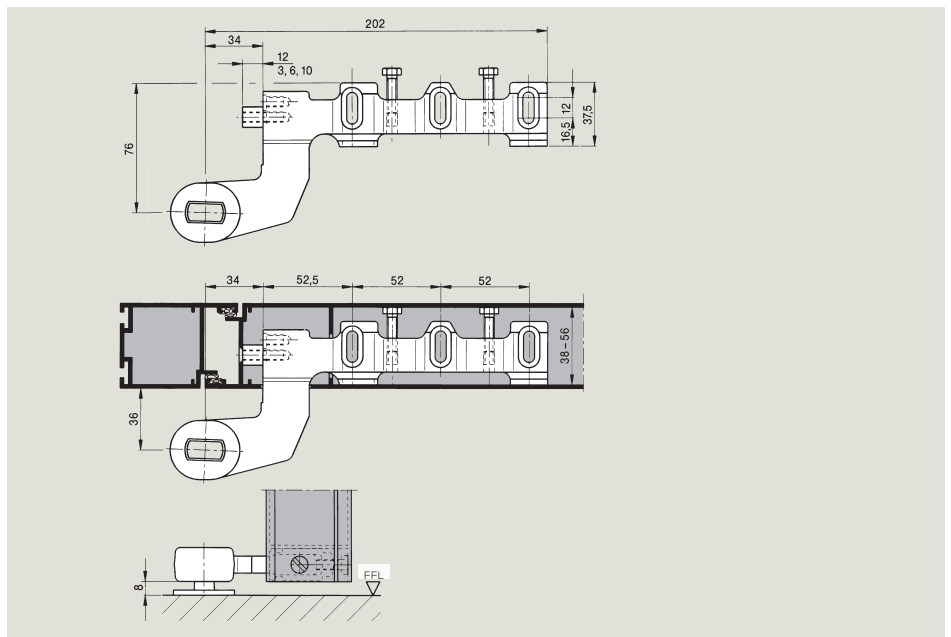


Door strap

Art. No. 7456/1
Drop forged steel; adjustable
to various profile systems,
non-handed.
Order No. 45010006

Cover caps

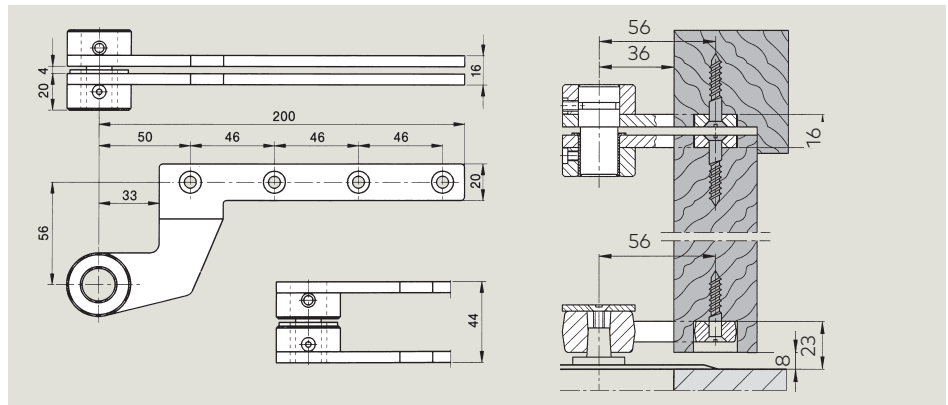
See pages 4 and 5,
Art. No. 7481 and 7482.



For single action timber doors (flush-closing)

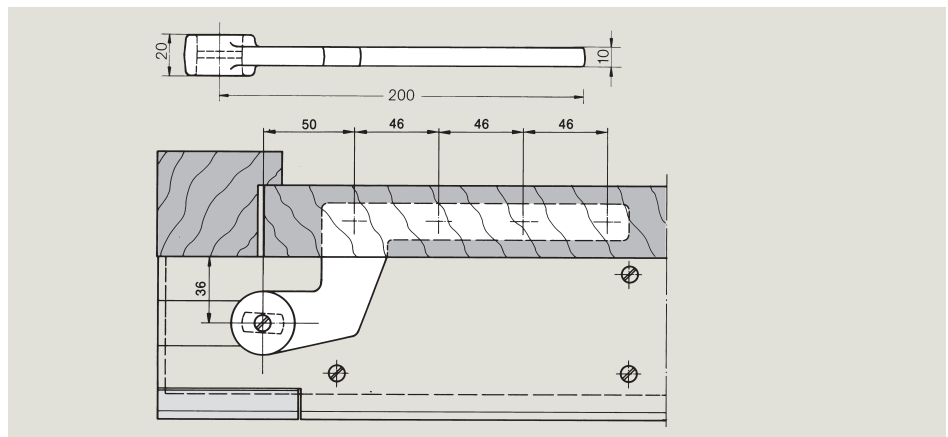
Top centres

Art. No. 7411 K/56
Zinc-plated steel; with eccentric pin and bush for adjustment after hanging the door; non-handed.
Order No. 45300016



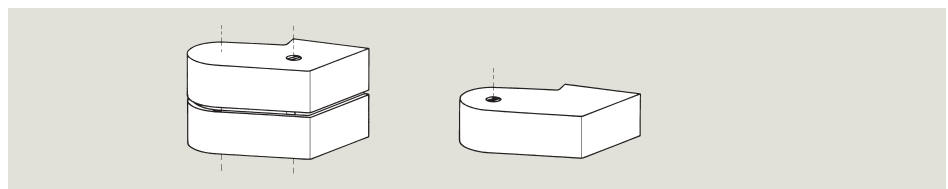
Door strap

Art. No. 7411/56
Drop forged steel, zinc-plated.
Order No. 45010003



Top washer for door strap

Art. No. 7432
Stainless steel
Order No. 45090030



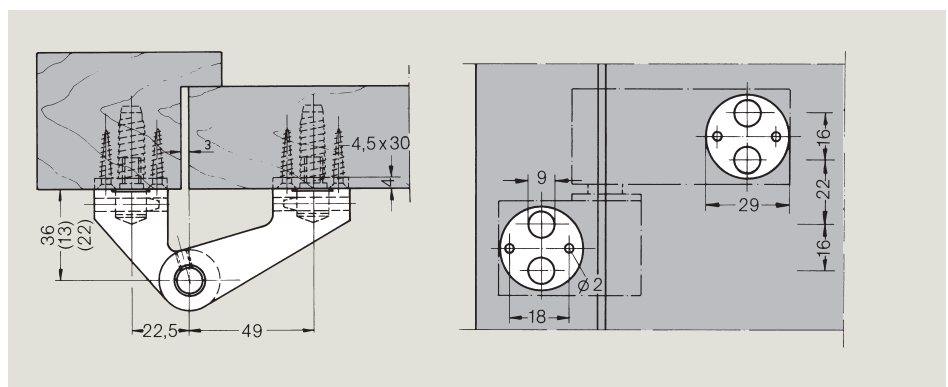
Cover caps

For top centres and door strap

| Type | Order No. for cover caps | | |
|--|----------------------------|------------------------|------------|
| | for top centres, two parts | for door strap, single | |
| | | LH (ISO 6) | RH (ISO 5) |
| Die cast aluminium Art. No. 7483/7481 | | | |
| Mill finish | 45500301 | 45055300 | 45051300 |
| Silver (EV 1, Euras C-0) | 45500401 | 45055400 | 45051400 |

LM pivot hinges with fixing for non-rebated timber doors

| Offset in mm Art. No. | Art.-Nr. |
|-----------------------|----------|
| 36 A-36.10 | A-36.10 |
| 22 A-22.10 | A-22.10 |
| 13 A-13.10 | A-13.10 |



For single action timber doors (rebated)

Top centres

Art. No. 7411 K/46

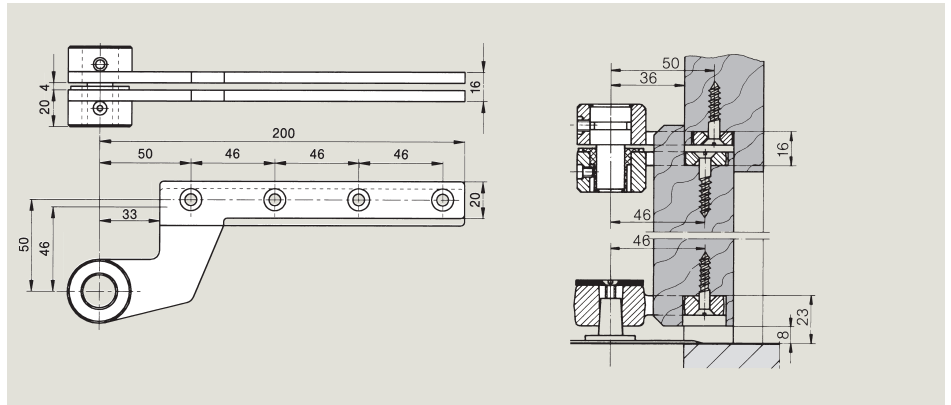
Zinc-plated steel; with eccentric pin and bush for adjustment after hanging the door; handed.

LH (ISO 6) door

Order No. 45305015

RH (ISO 5) door

Order No. 45301015

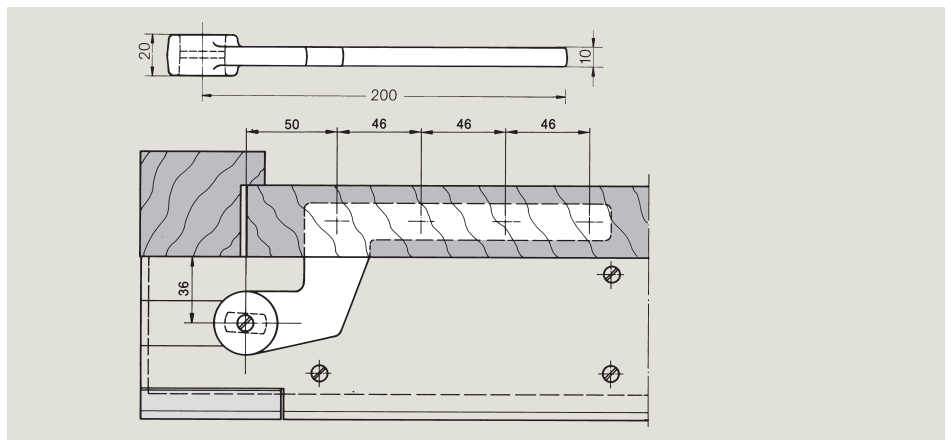


Door strap

Art. No. 7411/46

Drop forged steel, zinc-plated.

Order No. 45010000

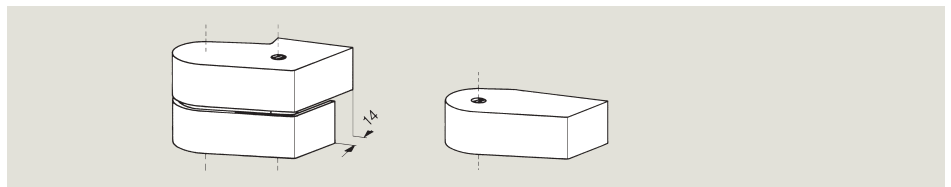


Top washer for door strap

Art. No. 7432

Stainless steel

Order No. 45090030



Cover caps

For top centres and door strap

Type

Order No. for cover caps

| | for top centres, two parts | | for door strap, single | |
|--------------------|----------------------------|------------|------------------------|------------|
| | LH (ISO 6) | RH (ISO 5) | LH (ISO 6) | RH (ISO 5) |
| Die cast aluminium | 45505400 | 45501400 | 45055401 | 45051401 |

Art. No. 7484/7482

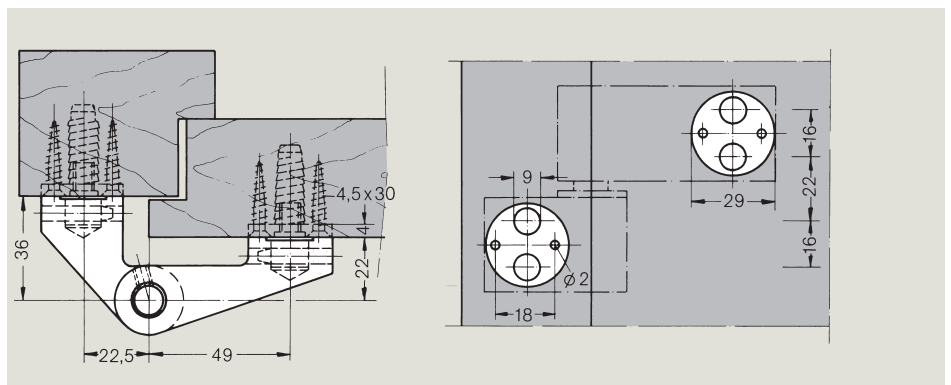
Silver (EV 1, Euras C-0)

LM pivot hinges with fixing for over-rebated timber doors

Drill jig for flush closing and over-rebated doors

Dimension x = 50.5 mm,

Dimension y = 3.0 mm



For single action steel doors

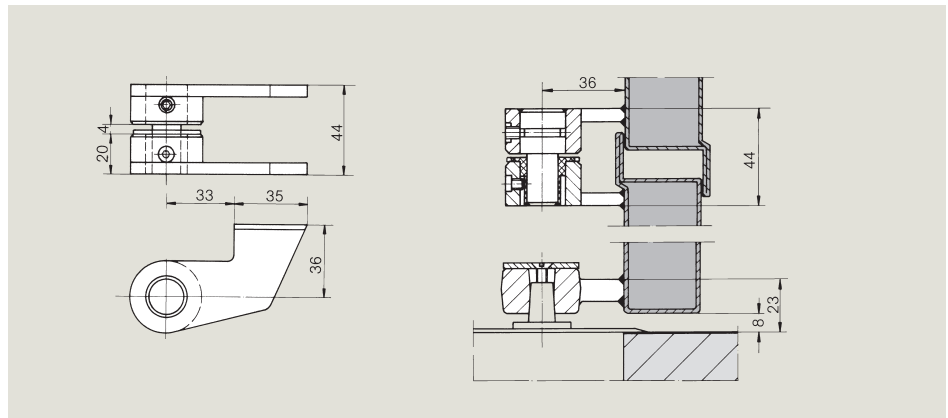
Weld-on accessories

Top centres

Art. No. 7431 K

Steel, primed; with eccentric pin and bush for adjustment after hanging the door; non-handed.

Order No. 45300012



Door strap

Art. No. 7431

Drop forged steel, primed
Order No. 4501000

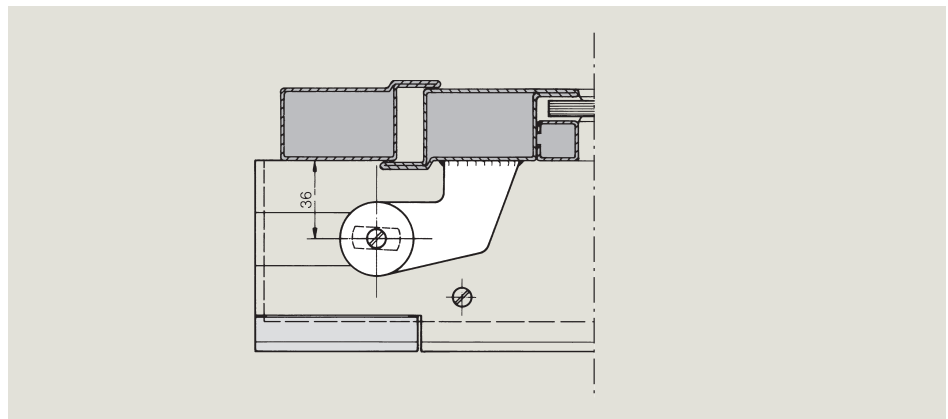
Top washer for door strap

Art. No. 7432

Stainless steel
Order No. 45090030

Cover caps

see pages 4 and 5



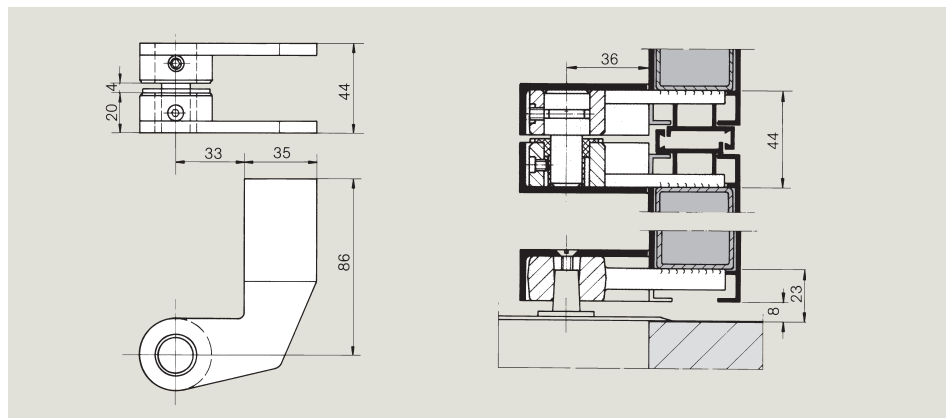
Weld-on accessories

Top centres

Art. No. 7441 K

Steel, primed; with eccentric pin and bush for adjustment after the door is hung; non-handed.

Order No. 45300014



Door strap

Art. No. 7441

Drop forged steel, primed
Order No. 45010007

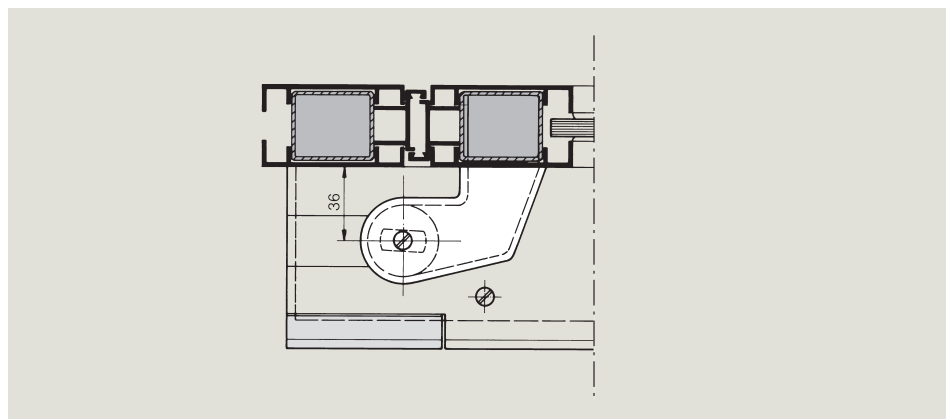
Top washer for door strap

Art. No. 7432

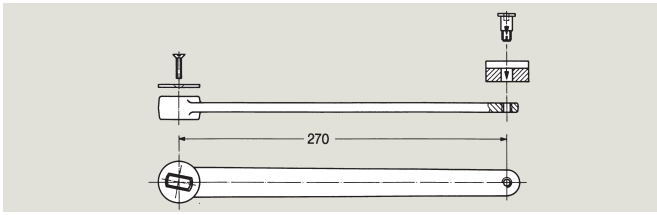
Stainless steel
Order No. 45090030

Cover caps

see pages 4 and 5



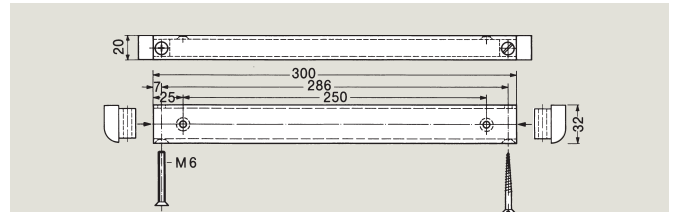
For butt hung doors



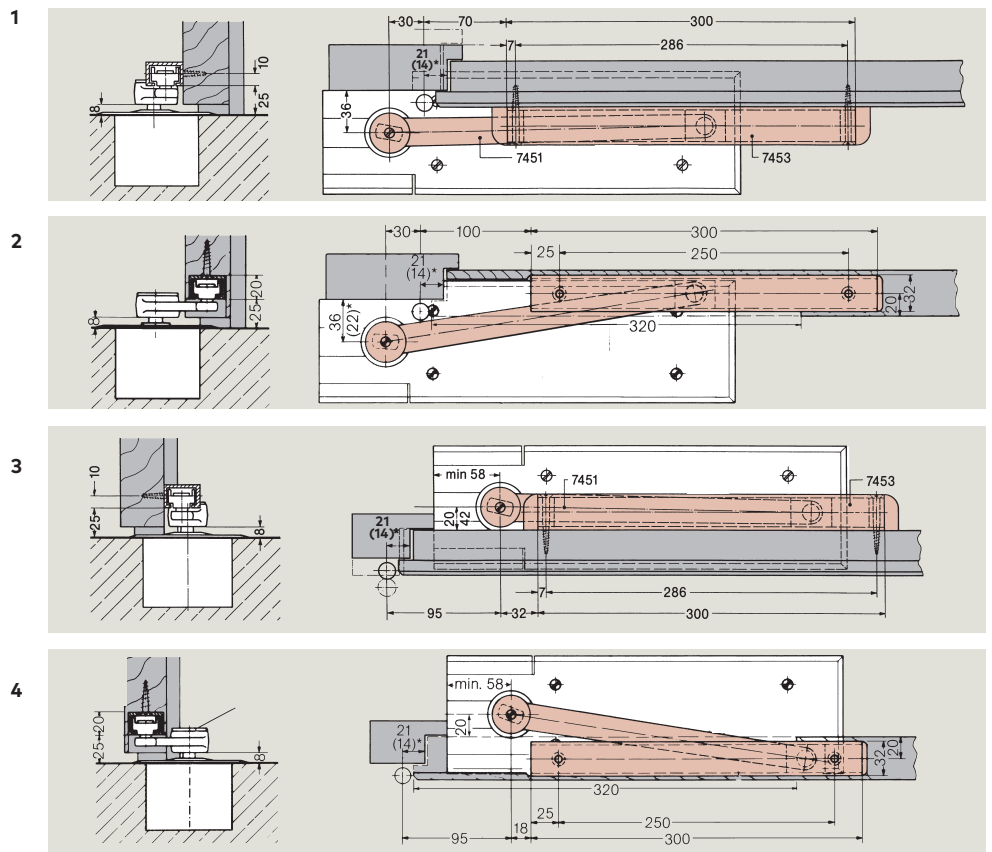
Swing lever Art. No. 7451 N
Drop forged steel, including top washer 7432.
Order No. 45090070

Example installations

()* = Offset for non-rebated doors



Guide housing Art. No. 7453 N
Aluminium, anodised, silver (EV 1, Euras C-0).
Order No. 45090053



Max. opening angle, backcheck activation angle and hold-open angle

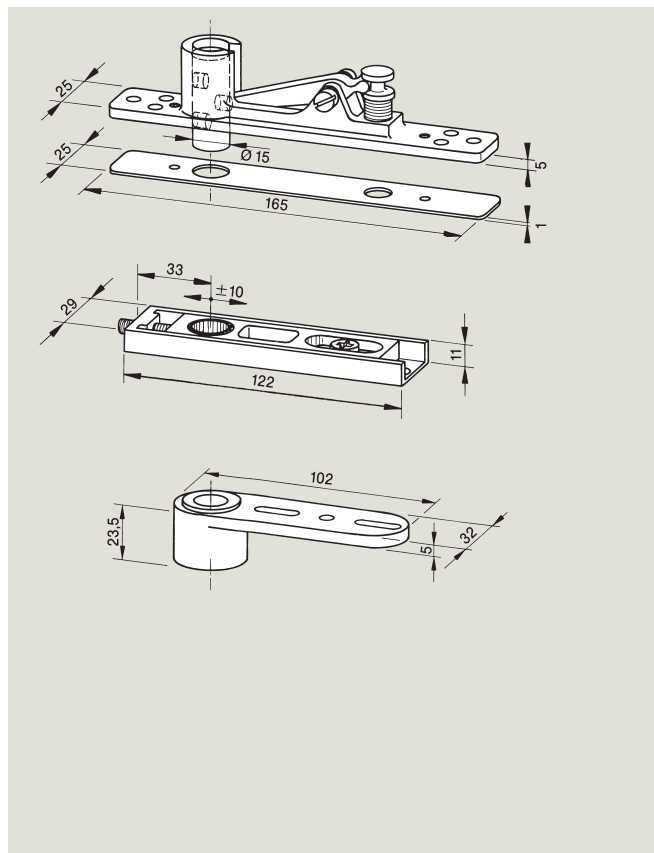
| | Installation | Door thickness in mm | | | | | | | | |
|--|--------------|----------------------|-----|-----|-----|--------------------|-----|-----|-----|-----|
| | | Over-rebated door | | | | Flush closing door | | | | |
| | | 39 | 50 | 60 | 70 | 39 | 50 | 60 | 70 | |
| Door opening* in °, max. | 1 | 100 | | | | 100 | | | | |
| | 2 | 100 | | | | 100 | | | | |
| | 3 | 125 | 116 | 108 | 102 | 114 | 105 | 98 | 92 | |
| | 4 | 135 | 137 | 140 | 140 | 132 | 135 | 135 | 120 | |
| Hold-open for BTS 80, and backcheck for BTS 75 and BTS 80 in ° | 1 | 78 | | | | 78 | | | | |
| | 2 | 85 | | | | 85 | | | | |
| | 3 | 60 | | | | 60 | | | | |
| | 4 | 52 | | | | 52 | | | | |
| Hold-open for BTS 75 in ° for following settings in ° | 1 | 105 | 95 | | | 100 | | | | |
| | 2 | 90 | 90 | | | 90 | | | | |
| | 3 | 105 | 83 | 85 | 87 | 90 | 86 | 90 | 92 | 95 |
| | | 120 | 102 | 105 | 107 | 112 | 108 | 111 | 115 | 120 |
| | 4 | 105 | 73 | 75 | 77 | 79 | 76 | 78 | 80 | 83 |
| | | 120 | 90 | 93 | 95 | 98 | 95 | 100 | 102 | 105 |

* Set door stop at maximum door opening. Owing to the differing pivot points of the floor spring and hinges, the backcheck is activated earlier, i.e. at an opening angle less than 85°. This type of installation reduces the floor spring's power. To minimise this effect, make sure that the door is correctly hung and freerunning on its hinges. Detailed installation drawing available on request.

For Double Action Steel, Aluminium and Timber Doors

Adjustable top centres (zinc die-cast)

comprising an frame portion with adjustable pin for deep profiles up to max. 20 mm, and door portion with needle bearing (8067 with plastics bearing). For deeper profiles, the top centre assembly can be supplied with pins extended by 10 mm.



Frame portion 8062/8067
Order No. 46020031

Cover plate 8064
Order No. 46020044

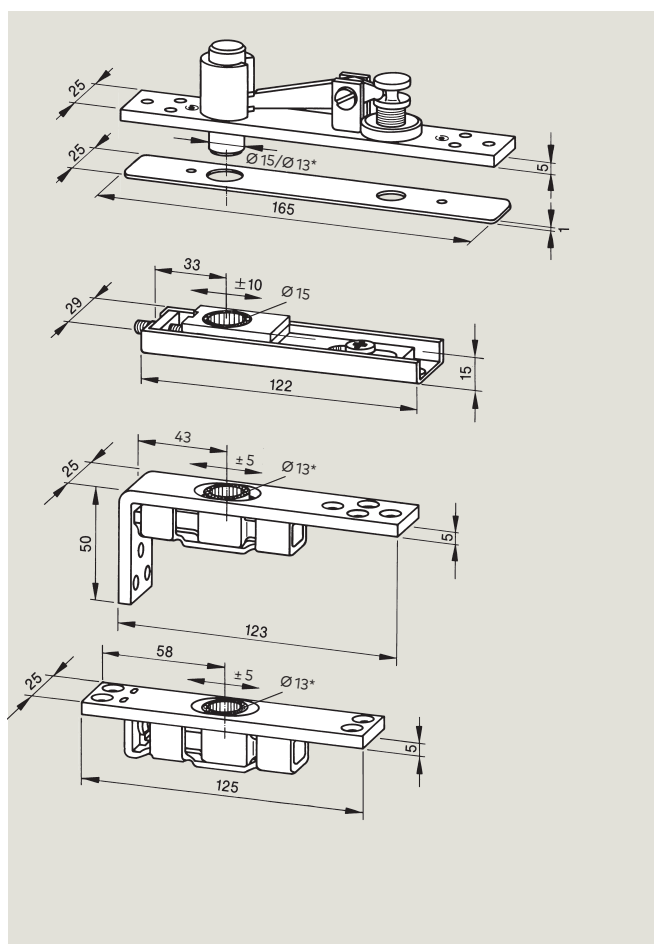
Door portion 8062
Order No. 46020033

Door portion 8067
Order No. 46020011

Top centres complete
(Frame- and door portion)
8062 Order No.46300003
8067 Order No.46300005

Adjustable top centres (steel)

comprising an frame portion with adjustable pin for deep profiles up to max. 16 mm, and door portion with needle bearing. For deeper profiles, the top centre assembly can be supplied with pins extended by 10 mm.



Frame portion 8066
Order No. 46020036
Frame portion 7461*
Order No. 46020050

Cover plate 8064
Order No. 46020044

Door portion 8066
Order No. 46020047

Door portion 7461 A*
Order No. 46020048

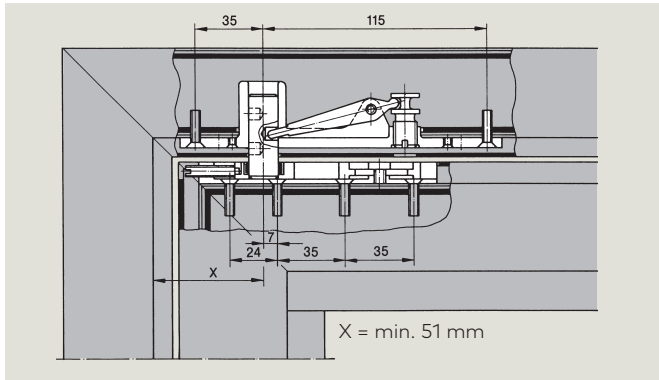
Door portion 7463 B*
Order No. 46020049

Top centres complete
(Frame- and door portion)
8066 Order No. 46300006

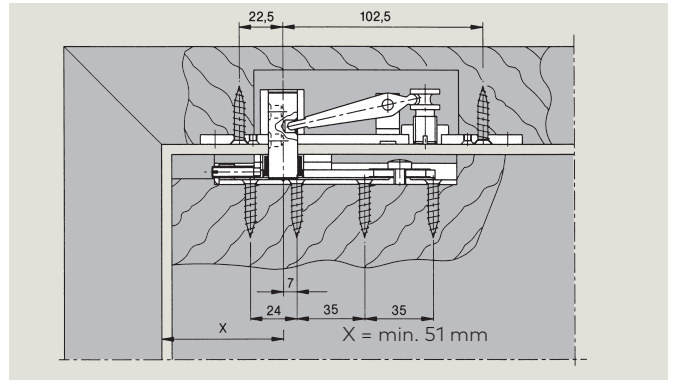
* For door portions
7461 A and 7463 B, use frame portion
7461 with 13 mm dia. pin.

Typical installations

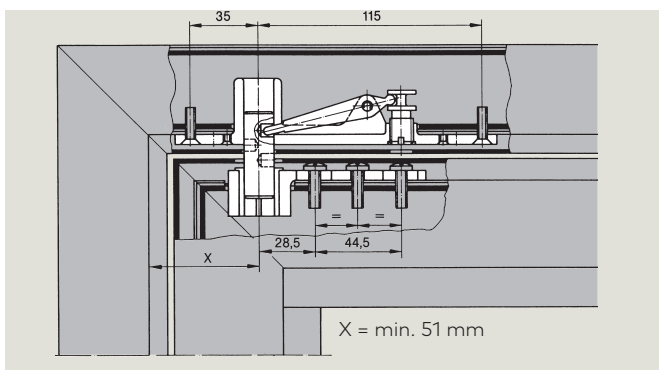
For aluminium doors Top centre 8062



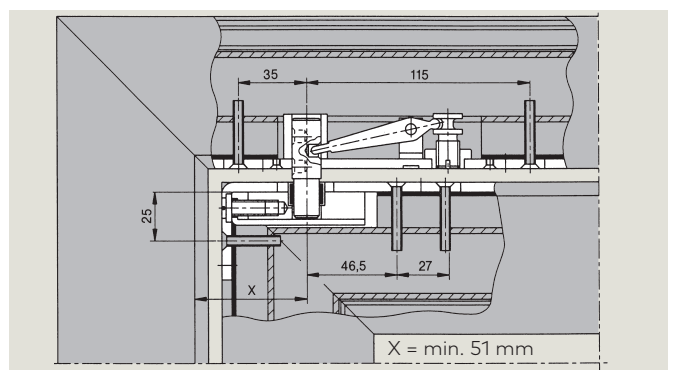
For timber doors Top centre 8066



For aluminium doors Top centre 8067

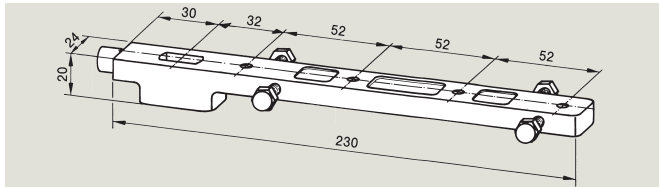


For steel doors Top centre 7461

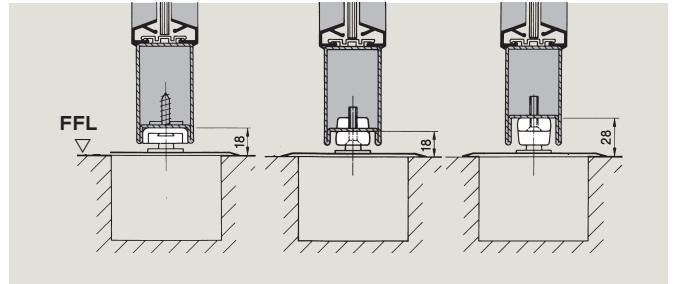


Bottom straps

Universal bottom strap Art. No. 7422



Drop forged steel, zinc-plated; adjustable to various frame profiles. Order No. 46010002

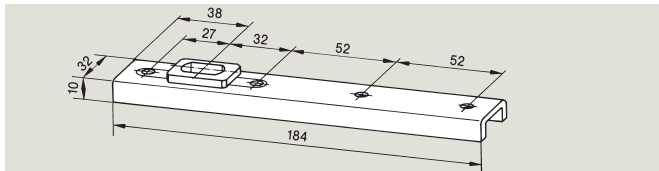


Bottom strap 8021

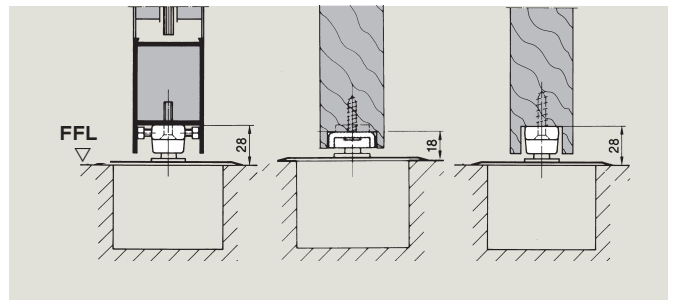
Bottom strap 7421
with milled hole

Bottom strap 7421
surface fixed

Bottom strap Art. No. 8021



Zinc-plated steel; for door weights up to 100 kg. Order No. 45010410

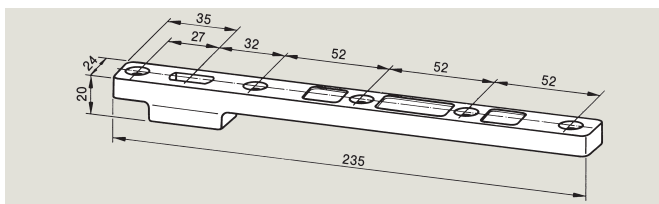


Bottom strap 7422

Bottom strap 8021

Bottom strap 7421

Bottom strap Art. No. 7421



Drop forged steel, zinc-plated for door weights up to 300 kg. Order No. 46010001

Pivot bearings

Floor pivot bearing

Art. No. 7471 K
with thrust roller bearing,
load capacity max. 200 kg.

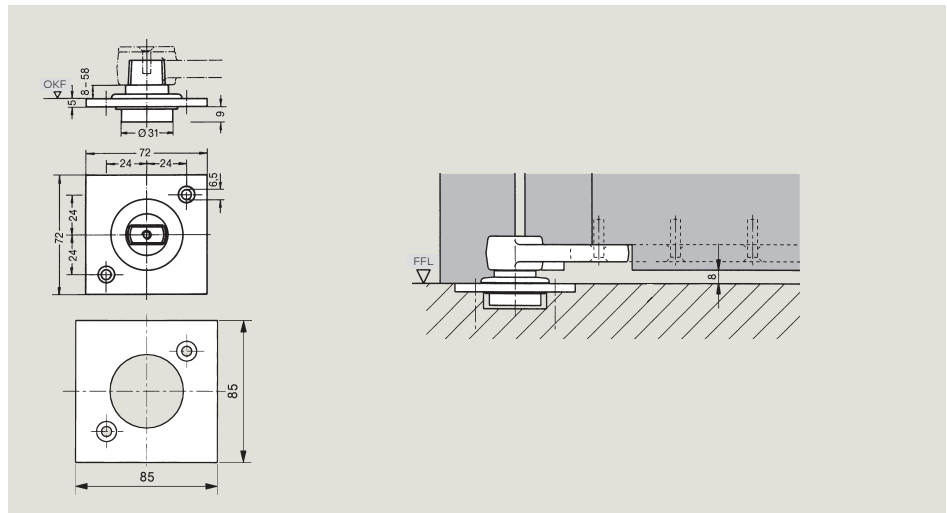
Order No. 45070001

Art. No. 7471 AX
with angular contact roller
bearing, load capacity max. 300 kg.

Order No. 45070002

Cover plate

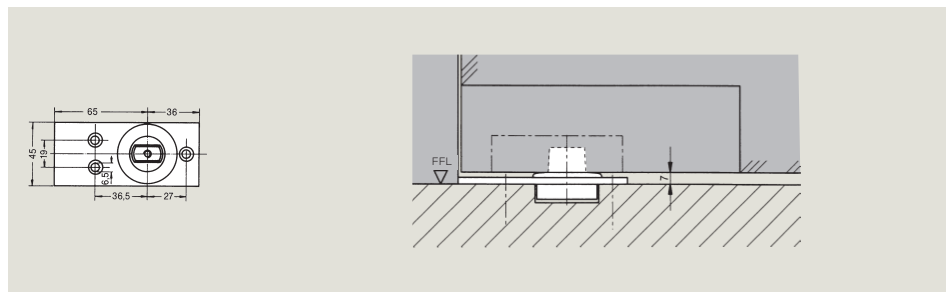
Art.-No. 7470
85x85 mm for 7471 K/AX
Order No. 21262401140



Art.-Nr. 7475 AX
with angular contact roller
bearing, load capacity max. 300 kg.

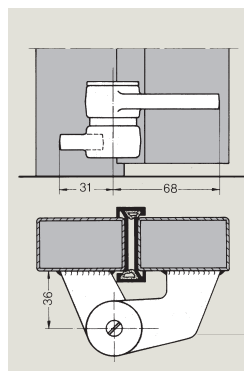
Order No. 45070003

Also available in stainless steel.
Art. No 8560 GE
Order No. 65540059



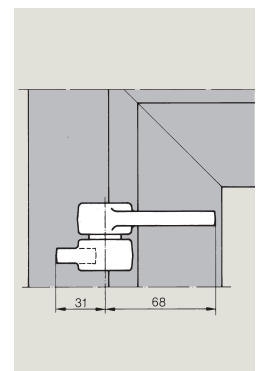
Weld-on pivot bearing

Art. No. 7474 K
with thrust roller bearing, load
capacity max. 200 kg, and
welded-on reinforcing plate.
LH (ISO 6) door:
Order No. 45075007
RH (ISO 5) door:
Order No. 45071007



Weld-on hinge

Art. No. 7472 M
Used as intermediate pivot and upper
hinge; with eccentric pin and bush for
adjustment after hanging the door;
non-handed bearing can be inserted
from either side.
Order No. 45900008



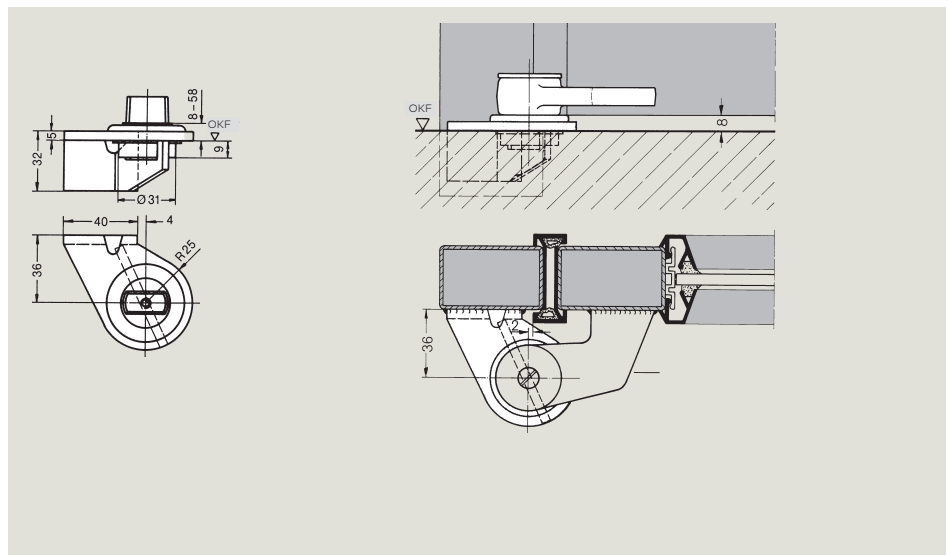
Weld-on pivot bearing

Art. No. 7474 K
with thrust roller bearing, load
capacity max. 200 kg, and welded-on
reinforcing plate.

LH (ISO 6) door:
Order No. 45075007

RH (ISO 5) door:
Order No. 45071007

AX model available on request
(300 kg capacity).



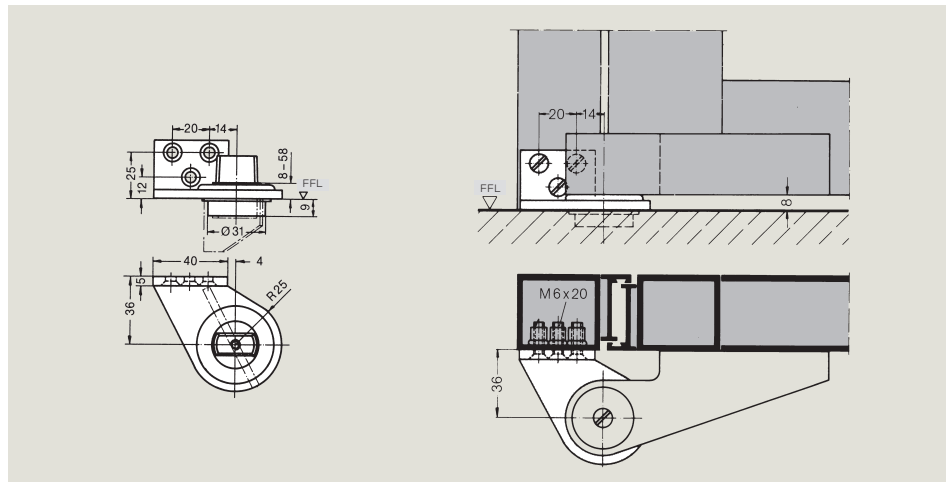
Screw-on pivot bearing

Art. No. 7473 K
 with thrust roller bearing,
 load capacity max. 200 kg.

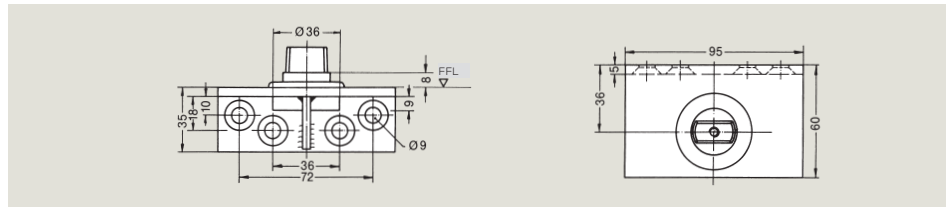
Suitable for timber,
 steel and aluminium doors.

LH (ISO 6) door:
 Order No. 45075005

RH (ISO 5) door:
 Order No. 45071005

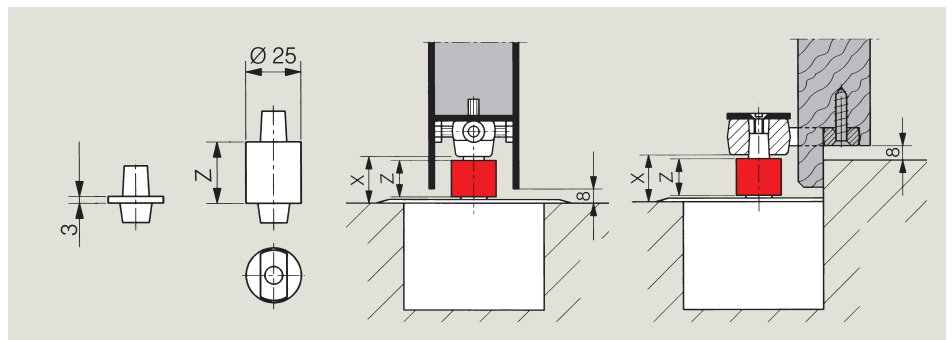


Art. No. 7476 AX
 with angular-contact roller
 bearing, load capacity max. 300 kg.
 Order No. 45070012



**Spindle inserts, zinc-plated,
 for BTS floor springs**

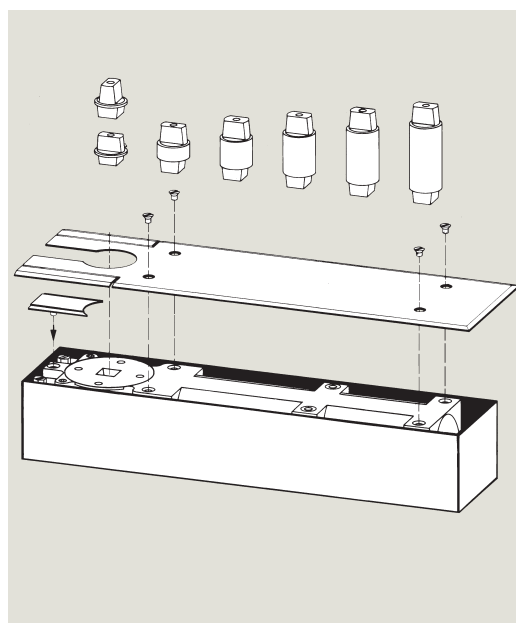
| Length in mm | Order No. |
|--------------|-----------|
| Standard | 45200401 |
| + 5,0 | 45200402 |
| + 7,5 | 45200403 |
| + 10,0 | 45200404 |
| + 12,5 | 45200419 |
| + 15,0 | 45200405 |
| + 20,0 | 45200406 |
| + 25,0 | 45200407 |
| + 28,0 | 45200414 |
| + 30,0 | 45200408 |
| + 35,0 | 45200409 |
| + 40,0 | 45200410 |
| + 45,0 | 45200411 |
| + 50,0 | 45200412 |



Calculating the necessary length of spindle extension

Extension = X – Floor clearance (normally 8 mm)
 zCollar height Z of the extended spindle inserts = Spindle extension length + 3 mm
 (collar height of the standard spindle insert)

Note
 Closer and bottom strap must be installed per fixing instructions for door clearances shown to be valid. Closers with extended spindle inserts are used with thresh-olds, carpeted floors, terazzo pans or in cases where more clearance between door and floor is required.
 Surface finish: Zinc plated.



| Order No. | |
|------------------------------|----------|
| Sealing compound 2300 | |
| 0,5 kg | 45090086 |

| | |
|--|------------|
| Cement boxes for floor springs | |
| BTS 80 | 45090056 |
| BTS 75V 61701xxx | 45090054 |
| BTS 75V 61801xxx | 45090055 |
| BTS 84 | 1418700000 |

WN 050 925 51532, 06/14, BTS Accessories, GB, x. XX, 01/18
Subject to change without notice

dormakaba UK & Ireland

E: info.gb@dormakaba.com

Wilbury Way, Hitchin
Hertfordshire
SG4 0AB

T: +44(0)1462 477600
F: +44(0)1462 477601

Lower Moor Way
Tiverton, Devon
EX16 6SS

T: +44(0)870 000 5625
F: +44(0)870 000 5397



www.dormakaba.co.uk