

Art. #5157951532, TS 68 Door Closer Tech Leaflet (DHW), 05/2021 EN.
Subject to change without notice.



Contact Us
Info.ASEAN@dormakaba.com
www.dormakaba.com.sg



Door Hardware



Electronic Access & Data



Mechanical Key Systems



Lodging Systems



Entrance Systems



Interior Glass Systems



Safe Locks



Service

dormakaba Singapore Pte Ltd
12 Tukang Innovation Drive #04-01
Singapore 618303
T +65 6268 7633

dormakaba Malaysia Sdn Bhd
No. 3, Jalan TP 6
Taman Perindustrian UEP
47600 Subang Jaya
Selangor Darul Ehsan
T +603 8081 8009

dormakaba Philippines Inc.
Unit 102 RCI Building,
105 Rada St.,
Legaspi Village, Makati City, Philippines
T +632 8893 4077/78

dormakaba (Thailand) Limited
762/2 Room no. A258,
Rama 3 Road Bangpongpan,
Yannawa Bangkok 10120, Thailand
T +66 2059 2612-6

PT. dormakaba Access Indonesia
Perkantoran Gandaria 8
Lanrai 1 Unit A,
Jl. Sultan Iskandar Muda,
Kebayoran Lama, Jakarta Selatan 12240,
Indonesia
T +62 21 2930 3762

dormakaba Vietnam Rep Office
Centec Business Center, Unit 002, Floor 4,
72-74 Nguyen Thi Minh Khai Street,
Ward 6, District 3, Ho Chih Minh City,
Vietnam
T +84 8 62 99 82 72

Door Closer with FRX[®] Technology TS 68



The ideal low-cost solution for standard doors

With the TS 68, dormakaba has developed a low-cost door closer which can be universally used on all common door types. It is particularly quick and easy to install – and does not require a mounting backplate.

Certified to ISO 9001.



The TS 68 complies with product testing standards and certification requirements with upto 240 mins fire rating, in accordance with SS332:2018 Specification for Fire Doors.



Our innovative FRX technology meets stricter updated safety standards, giving you the greater peace of mind.

Plus points

For the trade

- The low cost solution for standard doors.
- Just one model for all mounting positions.

For the installer

- Non-handed unit.
- Quick and easy to install.
- Fixes perfectly to all door types without the need for a mounting backplate.

For the architect/specifier

- Compact design.
- Inexpensive, proven reliability.
- Able to withstand up to 4 hour testing. Suitable for fire doors.

For the user

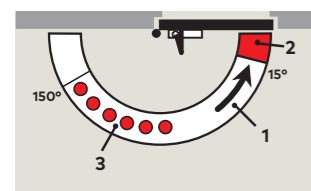
- Closing cycle largely unaffected by temperature changes.
- Two valves for optimum closing speed and reliable latching action.

Technical Data		TS 68
Selectable closing force (variable via arm power shoe and templating)		EN 2/3/4
Door width	≤ 1100 mm	●
External doors, outward opening		-
Non-handed		●
Arm	Standard arm	●
	Slide channel	-
Closing speed adjustable via 2 independent valves	180° – 15°	●
	15° – 0°	
Backcheck		-
Delayed action		-
Hold-open		○
Weight in kg		1.4
Dimensions in mm	Length	220.0
	Overall depth	45.0
	Height	53.5

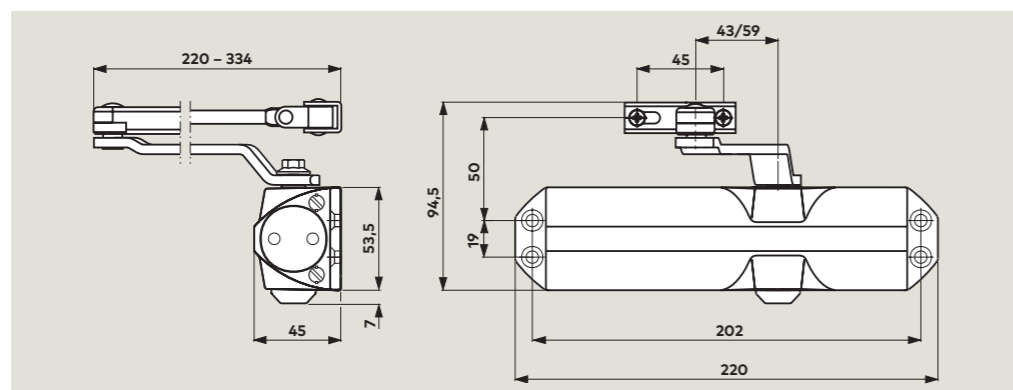
● Yes - no ○ Option

* For high and heavy doors, external doors, and for doors required to close against high wind pressure, we recommend dormakaba TS 83.

Functions



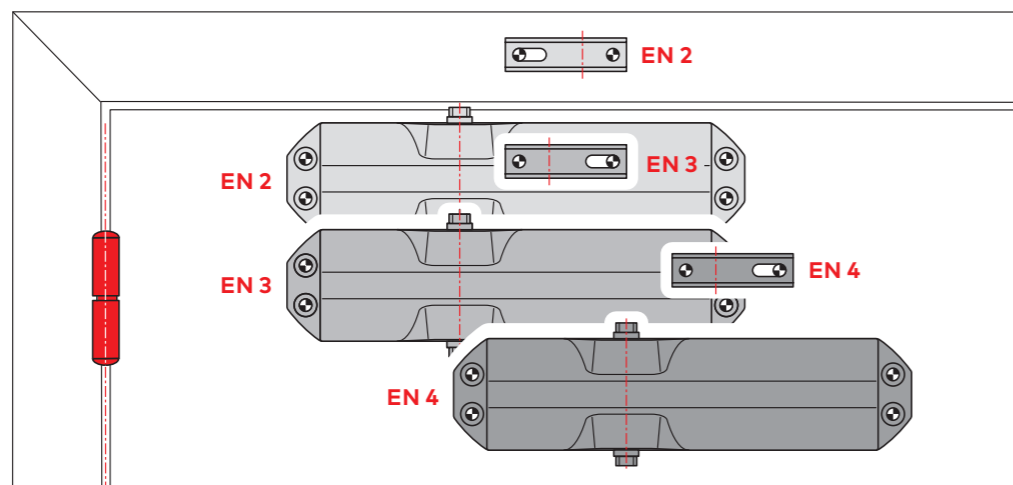
- 1 Adjustable closing speed in the range 180° – 15°.
- 2 Adjustable closing speed in the range 15° – 0°.
- 3 Hold-open range with hold-open arm model (optional extra).



Closing force settings

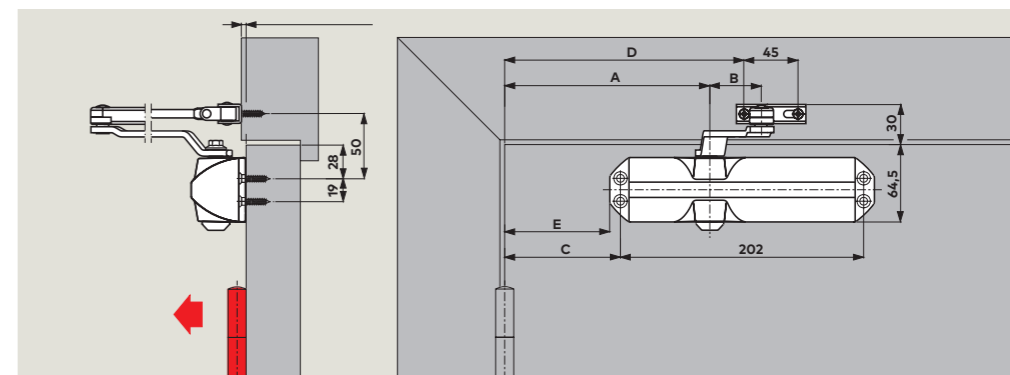
Door width	Size setting
≤ 850	Size 2
≤ 950	Size 3
≤ 1100	Size 4

The TS 68's size setting is selected for the door width by moving the closer body and/or turning the arm power shoe.



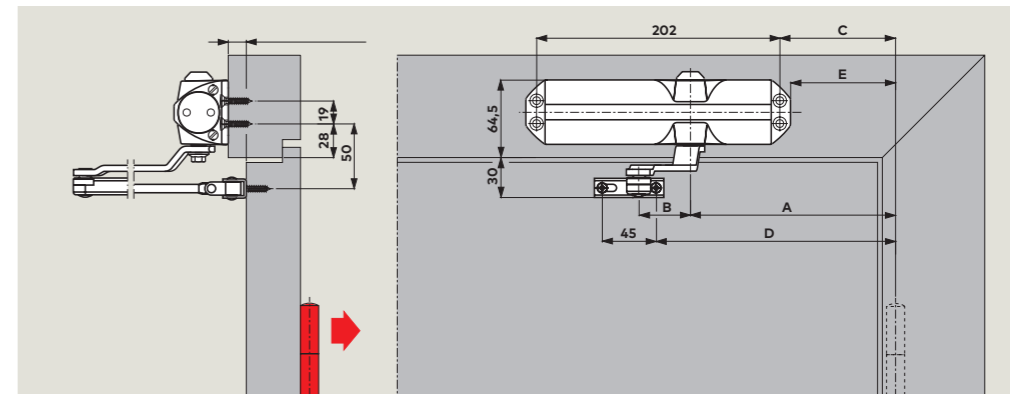
Door-leaf fixing pull side

	Size 2	Size 3	Size 4
A	170.0	170.0	250.0
B	59.0	43.0	43.0
C	96.0	96.0	176.0
D	198.5	198.5	278.5
E	87.0	87.0	167.0



Frame fixing, push side

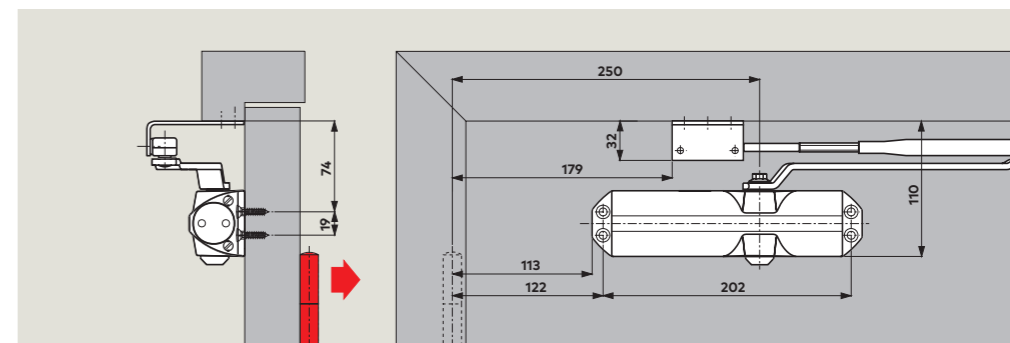
	Size 2	Size 3	Size 4
A	170.0	170.0	250.0
B	59.0	43.0	43.0
C	96.0	96.0	176.0
D	198.5	198.5	278.5
E	87.0	87.0	167.0



Parallel arm fixing push side

EN 2

(door width max. 850 mm)



Standard equipment

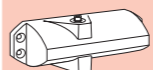
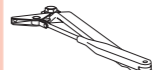

xx	Colour
01	silver
02	brass
03	dark brown
11	white (RAL 9016)

Order-Number

■□ = Closer with arm, complete
 ▲ = Accessory

Specification text

Rack-and-pinion door closer with selectable closing force, size EN 2, 3 and 4; adjustable closing speed in two independent ranges. Non-handed.

Door closer TS 68	Standard arm FRX®	Parallel arm bracket
		
Size 2/3/4	■□ 66520101	▲ 660005xx

Model

□ with standard arm

Colour

□ silver

Make

dormakaba TS 68