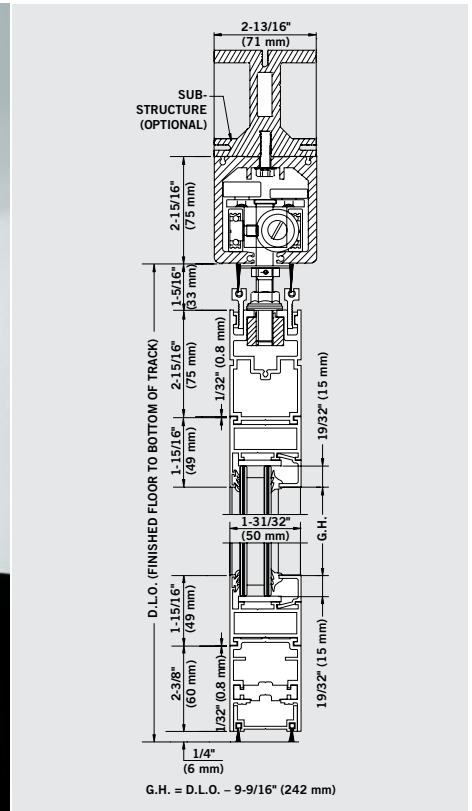


HSW-R

Horizontal sliding glass walls



Specifications

- Suitable for interior and exterior entrances.
- Aluminum frames encase laminated, tempered safety glass, or insulated units.
- Independent third party testing reports that HSW-R protects against high wind loads and adverse weather conditions.
- Accommodates glass from 5/16" (8 mm) to 7/8" (22 mm).
- Rubber-lipped side profiles and double brush seals top and bottom provide further insulation from the outside
- dormakaba ITS96 door closer (integrated neatly into the door frame) guarantees convertible panels close smoothly while sliding panels remain firmly closed.
- No floor track.

Panel limits

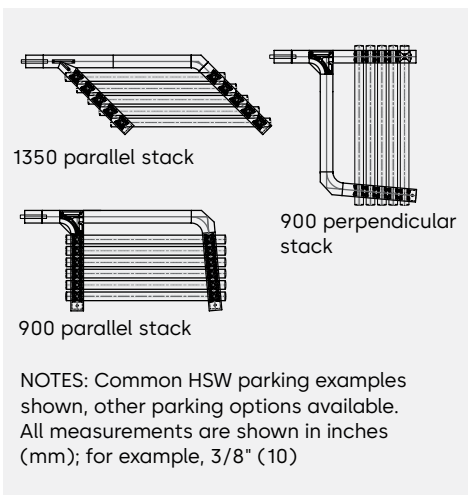
- Max Height 120" (3000 mm)
- Max Weight 220 lb (100 kg)
- Min Width 24" (600 mm)
- Max Width 42" (1060 mm)

Standard finish

- Clear Anodized
- Custom Finish
- Powder Coated RAL Painted Finishes

Lead time

- 7 weeks (system fabricated in Germany).



HSW-R substructure

The dormakaba HSW substructure system is of modular construction and is designed to significantly reduce on-site installation cost and time. This concept also offers the particular flexibility required to overcome structural constraints, such as the presence of air conditioning shafts or pre-existing electrical systems in the ceiling.

The dormakaba substructure consists primarily of the following components:

- Substructure profile with modules for branching to the stacking area
- Threaded rods for suspension of the profile(s)
- Standard square section tubes with appropriate fixings and ceiling brackets for bracing and stiffening the construction.

There is no need for pre-drilling and thread cutting in order to mount the track rails onto the substructure. Various bolting channels run the whole length of the profile, allowing bolts to be inserted easily at any location within the system configuration.

Bolting channels on both sides of the profile can be used (for example, for fixing the brackets needed for attaching the ceiling retention elements).

Depending on the weight of the system and the permitted deflection, it is possible to span a distance of up to 117" (3 m) between 2 suspension points.

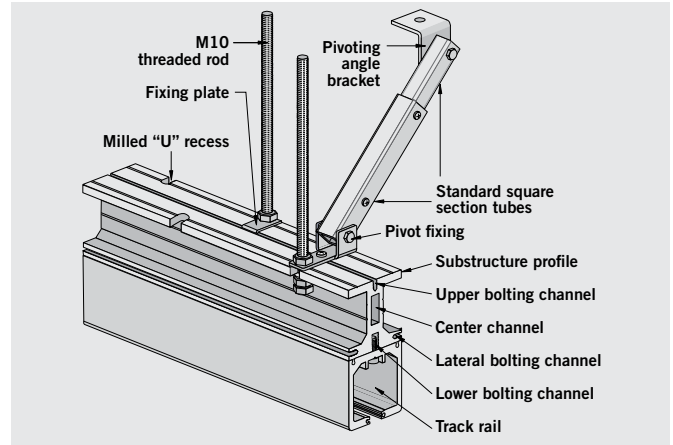
Standard flat steel bars can be inserted in the center channel to further stiffen the profile, particularly in the area of the joints. This means that just one suspension point in the vicinity of the joint can be provided instead of the two—one either side of the joint—that are usually needed.

With a maximum load (panel weight) of 330 lb (150 kg) and a permitted deflection of the substructure with track rail of 1/8" (3 mm), the interval between 2 suspension points must be no greater than 117" (3 m). The diagram Example load values shows other values for different loads.

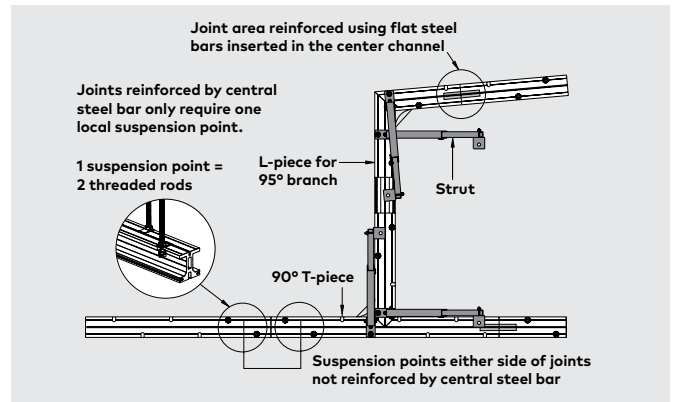
The individual components are coordinated to ensure safe integration. Joints in the substructure are offset to those in the track rails so that individual joints coincide with continuous material in all cases.

Provided that the track rails are adequately bolted to the substructure, gaps of up to 11" (279 mm) in straight runs and 5" (127 mm) in stacking areas measured from one suspension point to the next are permitted in the substructure.

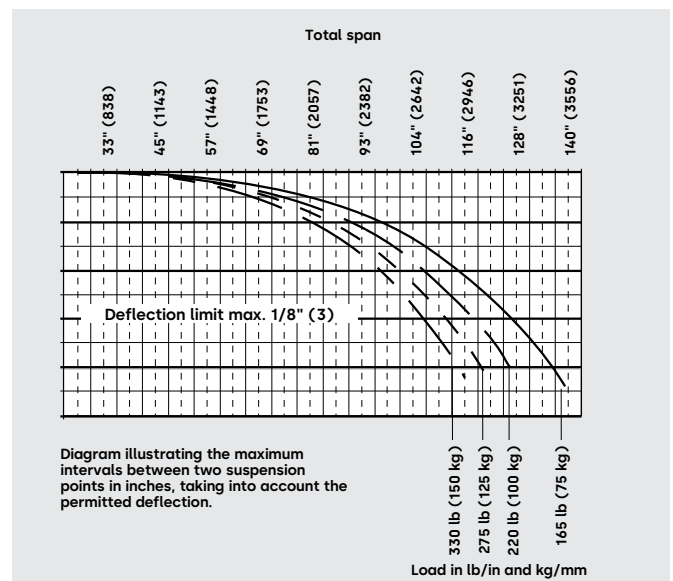
The system



View from above



Example load values



Any questions? We would be happy to advise you.
Contact us at: 1-800-265-6630