



Active infrared safety beams

Automatic sliding doors

Description

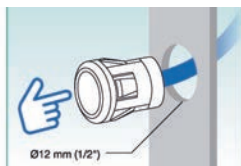
Active infrared safety beams are compatible with a wide variety of automatic door systems. The amplifier and sensor heads are designed for fast, simple installation while maintaining the highest standards of safety and reliability. This unit complies with new ANSI standard.

Features & benefits

- **Easy to install amplifier unit and sensor heads.** The amplifier unit features screwless wiring terminals for fast installation. Pressing the "Teach-in" button automatically sets the proper sensitivity and self-corrects crossed cables. A single amplifier operates one or two pairs of sensor heads.
- **Monitoring capability.** With its built-in monitoring capability, this system monitors all its critical functions and notifies compatible controls when an error occurs. Self-monitoring ensures a higher level of performance over the life of the sensor.



Teach-in button



One push installation sensor head

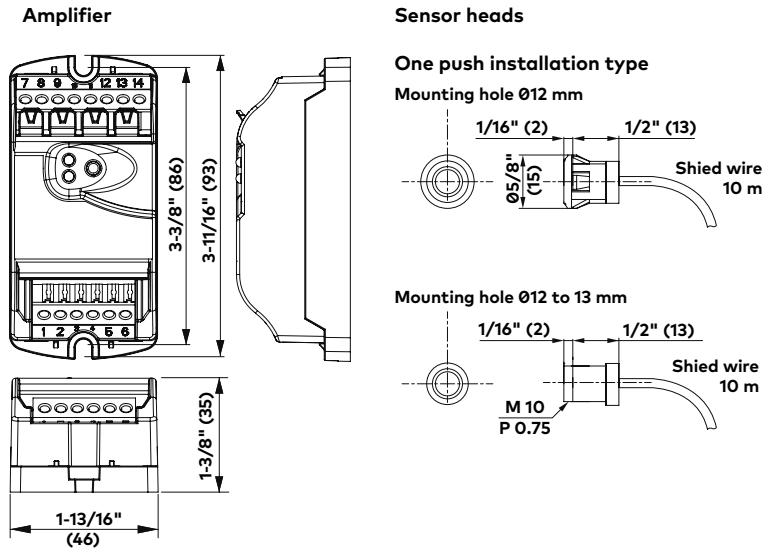
Technical specifications

Model	OS-12C T	
Installation distance	Less than 32' 10" (10 m)	
Detection method	Point to point near infrared light beam	
Power supply	12 to 24 V AC / 12 to 30 V DC	
Current draw	160 mA max.	
Operation indicator	Stand-by	Beam 1 / Beam 2 Green ON / Red ON
	Detection active	Green OFF / Red OFF
	Insufficient sensitivity	Green Blink / Red Blink
	Test input error: Simultaneous twice blinking (Red & Green)	
Test input	Opto coupler voltage 5 to 30 V DC Current 6 mA max. (30 V DC)	
Safety output (initial setting)	50 V 0.3 A (resistance load) – N.O./N. C. switchable	
Response time	Approx. 0.1 sec. (from the moment of beam cut-off)	
Relay hold time	Approx. 0.5 sec.	
Operating temperature	-4°F to +131°F (-20°C to +55°C)	
Weight	Amplifier 2.2 oz (63 g)	
Component	1 Amplifier 2 Mounting screws 1 Manual Sensor head units are required for operation; sold separately	

Notes

- OS12C-T amplifier can operate with 1 or 2 pairs of sensor heads.
- The specifications herein are subject to change without prior notice due to improvements.

DX3335-016 dimensional drawing



Related products



PP-S
MOUNTING PLATE
(SILVER) (2 PIECES)



DX3335-018
SENSOR HEAD UNIT
32' 10" (10 m)



OS-BH
SENSOR HEAD
HOLDER (2 PIECES)



PO-C
ONE PUSH OUTER
PLATE (2 PIECES)



dormakaba USA Inc.
Dorma Drive, Drawer AC
Reamstown, PA 17567
844-SPECNOW
www.dormakaba.us

dormakaba Canada Inc.
1680 Courtney Park Dr. Unit 13
Mississauga, ON L5T 1R4
800.387.4938
www.dormakaba.ca