

4-1/2" square switch

Automatic swinging doors



Features

- Large, easy-to-operate switches.
- All-active design requires minimal actuation force.
- Meets ADA requirements.
- Stainless steel construction.
- Flush mount or surface mount.
- UL/CSA approved switch, rated 15 Amps @ 30V DC.
- Various logos & messages.
- Optional architectural finishes.

Description

The dormakaba square switch is a heavy-duty, ADA-compliant door control. The 4-1/2" square faceplate is stainless steel or aluminum, and the assembly is designed for easy installation.

The switch mounts to a standard single gang or double gang electrical box. It is sold as a complete assembly, which is mounted to the in-wall box (or surface box) using stainless steel Allen screws and a hex key (included with the switch). Access to the mounting screws is through small holes in the front of the faceplate. This provides for tamper resistance, while maintaining an attractive overall appearance.

The SPDT (and optional DPDT) switches are UL/CSA approved, and rated 15 Amps @

30V DC. The push switches are offered with different graphics and in various architectural finishes. Weather resistant and water tight configurations are also available.

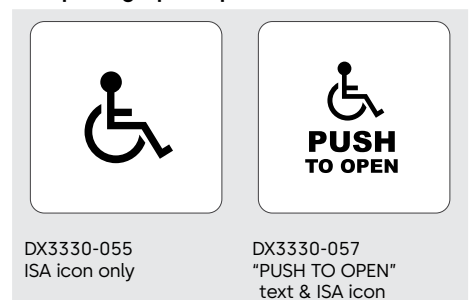
Application

This dormakaba switch is designed for areas where an easy-to-activate, high visibility switch is desired. Ideal for high traffic areas, hospitals, wheelchair access, seniors' residences, etc. It can be surface or flush mounted.

This square switch is designed to control electric strikes, electromagnetic locks, and automatic doors. It may also be used for shunting, bypassing alarms, request to exit, timed functions, and many other applications.

The switch is made for high frequency usage in both indoor and outdoor environments. dormakaba switches are versatile and can be supplied in various configurations and finishes to suit any commercial, industrial, or residential application.

Faceplate graphic options

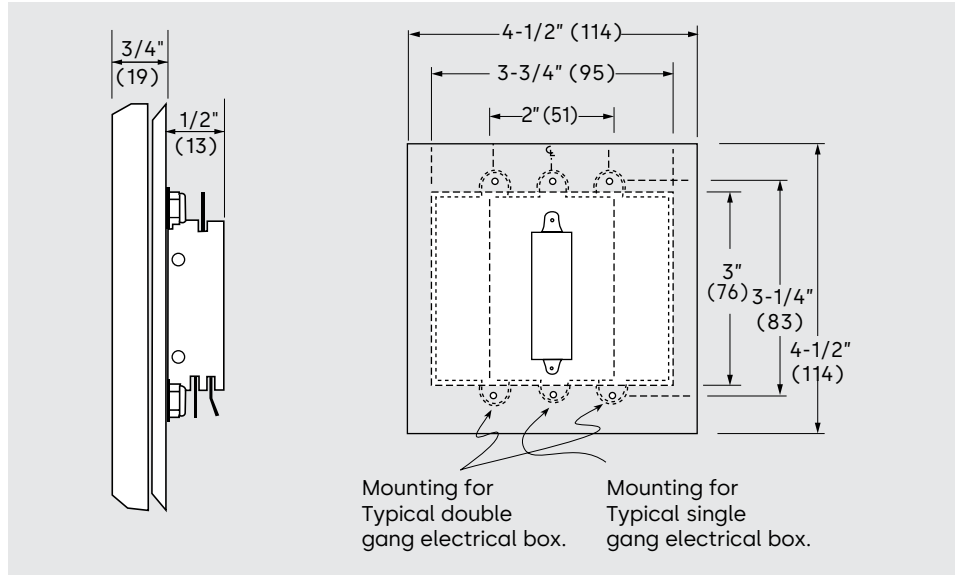


Architects/Engineers specifications

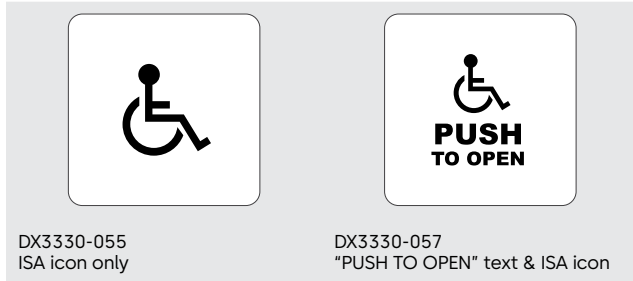
The switches shall be easy to activate, ADA compliant, 4-1/2" square. Switches shall be all-active, whereby pressing any part of the faceplate will activate the device. Faceplates shall be constructed of stainless steel or aluminum. Switches shall use plastic spacers and rubber dampers for noise reduction. Switches shall be rated at a minimum of 15 Amps @ 30V DC.

Ordering information

dormakaba's switch is a complete ready-to-install assembly, which is supplied with stainless steel Allen screws and an Allen wrench for mounting.



Faceplate graphic options



Mounting boxes

Model DX3330-045

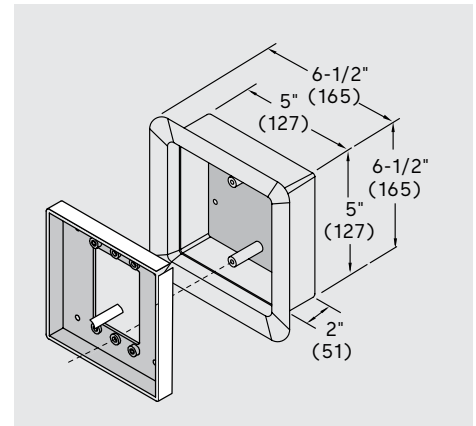
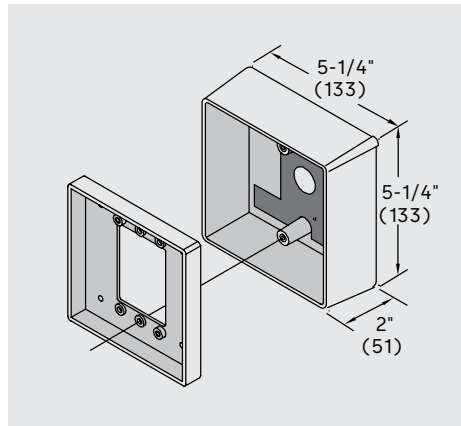
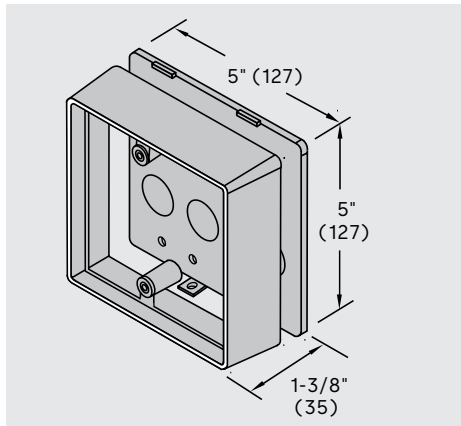
Size	5" square, std. depth.
Type	Surface mount box.
Construction	Flame and impact resistant black polymer (ABS).
Application	Indoor/outdoor, wired. Required for wireless.

Model DX3330-068

Size	5-1/4" square, std. depth.
Type	AURA™ illuminated surface box, green/red.
Construction	Flame and impact resistant black polymer (ABS).
Application	Indoor/outdoor, wired. Required for wireless.

Model DX3330-069

Size	6-1/2" square, flush.
Type	AURA™ illuminated surface box, green/red.
Construction	Flame and impact resistant black polymer (ABS).
Application	Indoor/outdoor, wired. Required for wireless.



© dormakaba 2024 Information on this sheet is intended for general use only. dormakaba reserves the right to alter designs and specifications without notice or obligation.

Any questions? We would be happy to advise you.
Contact us at: 1-800-265-6630