

Active infrared hands-free switches

Automatic swinging doors



Features

- Choice of 12/24V AC/DC and battery-operated models.
- Choice of hard wired, or battery-powered wireless models, and combination wired/wireless models.
- Choice of stainless steel or high-impact polycarbonate faceplates.
- Adjustable standard operating range 1" - 28"; auto range mode up to 72".
- Adjustable time delay 3–30 seconds.
- Selectable Fail-Safe/Fail-Secure operation.
- Active output for external alarm, LED, or annunciator.
- 'Request to exit' and external (door contact) inputs (DX3330-106, DX3330-107).
- Super fast activation response <90ms.
- Heavy-duty 3 Amps relays, for use with all automatic operators and electrified locks.
- Optional light ring, provides visual indication of door status and alarms. Controlled locally or remote.

Description

No other switch on the market comes close to matching these 2nd generation hands-free switches. They are active infrared devices utilizing micro burst sensor technology, designed for use in ADA-compliant automatic door and UL-compliant access control applications. The switches eliminate the spread of germs by avoiding physical contact and offer building occupants greater convenience when moving through the premises.

There is a complete range of wired, wireless, and wired/wireless hybrid models to provide the best solution for any application. An optional light ring providing visual indication door status and alarms is available for all line-powered models. These switches are available with either stainless steel or impact-resistant polycarbonate faceplates, in narrow (jamb), single gang, or double gang configurations. All models are ROHS-compliant with lead-free construction.

Application

dormakaba infrared hands-free switches are American Disability Act (ADA) compliant, and provide barrier-free access and egress to buildings and washroom facilities. These hands-free switches are also UL 294 compliant for use in code-compliant access control systems. The rugged construction and heavy-duty relay rating make them ideal for use on low-energy automatic doors, drive-up windows, and interior and exterior doors in virtually any commercial (office, retail), institutional (school, hospital or clinic), or industrial (manufacturing) facility.

Architects/Engineers specifications

All door-activation switches to be used throughout the facility shall be dormakaba active infrared hands-free switches, utilizing 'microburst' sensing technology.

The switches shall be jamb/narrow, single gang, or double gang mounted, with either

polycarbonate or stainless steel faceplate as required. They shall have an on-board LED for ease of set-up, selectable fail safe/fail secure operation, an adjustable (standard) operating range from 1" to 28" (25.4 mm to 711.2 mm) and 1 or 2 relay contacts rating of 3 Amps @ 30V DC.

Switches mounted outdoors, or exposed to interior water/humidity shall be mounted with weather resistant integral rubber gasket and back box, supplied by the same manufacturer.

Active infrared hands-free switches



Technical specifications

All infrared hands-free switches

Sensor type	Infrared, utilizing microburst technology
Operating temp	-4°F to +153°F (-20°C to +85°C)
Response time	90 ms.
Time delay	3 – 30 seconds
Connections	20 – 22 AWG wire

DX3330-108 – Battery operated wireless Simple operation, avoid cost of wiring.

No. of IR sensors	(1) DX3330-108
Batteries	(2) 'AA' Alkaline (supplied) (2) 'AA' lithium Batteries (optional)
Estimated battery life	2 yrs (based on 100 operations/day)
Standard operating range	1"– 12" (25.4 mm – 304 mm)
Inputs	'Request to exit' external (door contact)
Wireless output	Built-in 915MHZ. spread spectrum wireless transmitter

DX3330-105

Economical, ideal for most applications (incl. retrofit).

No. of IR sensors	(2) DX3330-105
Operating voltage	12 – 24 volts, AC/DC ± 10
Current draw	40MA
Standard operating range	1"– 28" (25.4 mm – 711.2 mm)
Auto range operation	6"– 40" (152.4 mm – 1016 m) hand 6"– 72" (152.4 mm – 1820 m) body
Operating modes	Motion sensing modes Momentary Momentary with alarm Maintained (latching) Relay operation modes Single event Toggle
Relay output	(1) Form 'C' (SPDT)
Relay contact rating	3 Amps @ 30V DC
Active output	9 – 12V
Inputs	'Request to Exit' external (door contact) input
Optional LED ring	On/Off, Red, Blue, Green
Current draw	8MA max

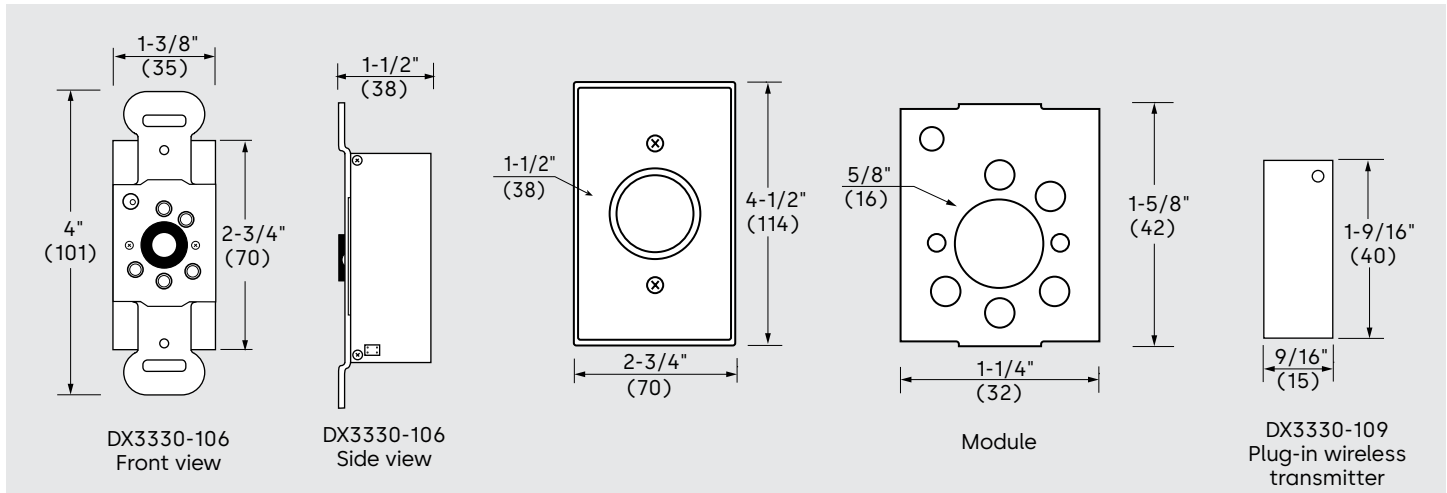
Technical specifications

DX3330-106 – Wired, 2 relay, option for wireless transmitter
Advanced switch with door control functionality.

no. of IR sensors	(2) DX3330-106
Operating voltage	12 – 24 volts, AC/DC ± 10
Current draw	40MA
Standard operating range	1" - 28" (25.4 mm - 711.2 m)
Auto range operation	6"– 40" (152.4 mm – 1016 m) hand 6"– 72" (152.4 mm – 1820 m) body
Operating modes	Motion sensing modes Momentary Momentary with alarm Maintained (latching) Relay operation modes Single event Sequence Security Toggle Auto range
Relay output	(2) Form 'C' (SPDT)
Relay contact rating	3 Amps @ 30V DC
Active output	9 – 12V
Output type	Fail Safe or Fail Secure
Inputs	'Request to exit' external (door contact) input
Optional LED ring	On/Off, Red, Blue, Green
Current draw	8MA max
Wireless output	DX3330-109 plug-in 915MHZ. spread spectrum wireless transmitter

DX3330-107 – Battery operated with relay output, option for wireless transmitter
Ideal for retrofit applications utilizing existing wires.

No. of IR sensors	(1) DX3330-107
Batteries	(2) 'AA' alkaline (supplied) (2) 'AA' lithium batteries (optional)
Estimated battery life	2 yrs (based on 100 operations/day)
Standard operating range	1" - 12" (25.4 mm - 304 mm)
Motion sensing modes	Momentary Momentary with alarm Maintained (latching)
Relay output	(1) Form 'C' (SPDT)
Relay contact rating	3 Amps @ 30V DC
Output type	Fail Secure
Inputs	'Request to exit' external (door contact) input
Wireless output	DX3330-109 plug-in 915MHZ. spread spectrum wireless transmitter

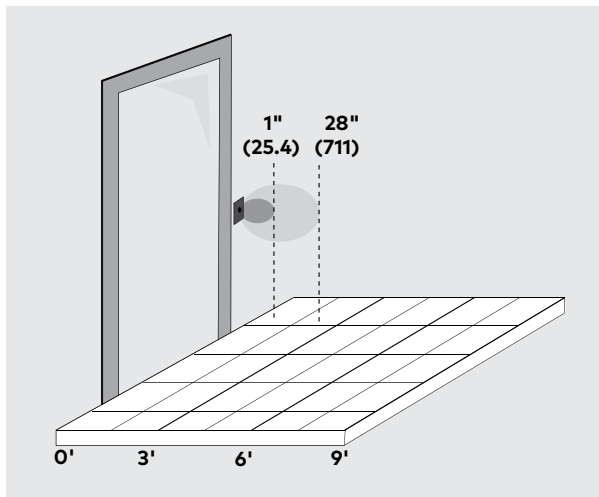


Switch models

Part no.	Description
DX3330-108	Hands-free switch, battery powered, built-in wireless transmitter (no light ring option)
DX3330-105	Hands-free switch, wired, 1 relay, option for plug-in wireless transmitter and light ring
DX3330-106	Hands-free switch, wired, 2 relays, option for plug-in wireless transmitter and light ring
DX3330-107	Hands-free switch, battery powered, 1 relay, option for plug-in wireless transmitter

Configuration options

Option	Part no.	Description
Lithium batteries	DX3330-119	(2) AA lithium batteries in place of (2) alkaline
	DX3330-120	(2) AA lithium battery pack
Light ring	DX3330-121	Light ring PCB, and stainless steel single or double gang faceplate. Not available with narrow faceplate. (For models DX3330-105 or DX3330-106 .)
Wireless transmitter	DX3330-109	Two-channel Lazerpoint RF™ plug-in wireless transmitter. (For models DX3330-105 , DX3330-106 , or DX3330-107 .)
Receivers	DX3330-110	One-relay Lazerpoint RF receiver
	DX3330-128	Two-relay Lazerpoint RF receiver

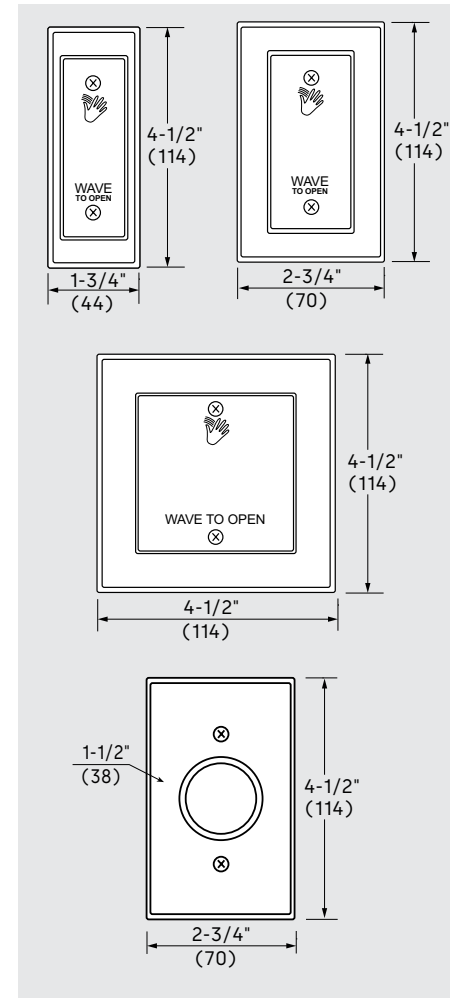


Adjustable sensor range

Adjustable operating range (1" To 28")*

All hands free switch models have easy field adjustment of the operating range, up to 28", making them ideal for virtually any door control application.

* Extended range models available for up to 72".



Any questions? We would be happy to advise you.

Contact us at: 1-800-265-6630